



US00D642149S

(12) **United States Design Patent**  
**Inoue et al.**

(10) **Patent No.:** **US D642,149 S**  
(45) **Date of Patent:** **\*\* Jul. 26, 2011**

(54) **TELEVISION APPARATUS**

(75) Inventors: **Takashi Inoue**, Nara (JP); **Mitsuru Takami**, Osaka (JP); **Masayuki Nakajima**, Osaka (JP)

(73) Assignee: **Panasonic Corporation**, Osaka (JP)

(\*\*) Term: **14 Years**

(21) Appl. No.: **29/385,440**

(22) Filed: **Feb. 14, 2011**

(30) **Foreign Application Priority Data**

Dec. 10, 2010 (JP) ..... 2010-029445

(51) **LOC (9) Cl.** ..... **14-03**

(52) **U.S. Cl.** ..... **D14/126**

(58) **Field of Classification Search** ..... D14/125-134,  
D14/239, 371, 136, 374-377, 440, 450, 448,  
D14/336, 342; 312/7.2; 348/836, 838, 180,  
348/184, 325, 739; 341/12; 248/917-924,  
248/465; 345/104, 133, 156, 168, 87, 173;  
720/605, 669, 600, 655; 369/99, 197; 455/344,  
455/347; D21/329, 515, 577, 622, 333, 433,  
D21/448, 452, 450, 331; D6/477, 479, 300;  
273/148 B; 446/484, 175, 356; D10/15,  
D10/26

See application file for complete search history.

(56) **References Cited**

**U.S. PATENT DOCUMENTS**

D499,386 S \* 12/2004 Yang ..... D14/126  
D546,788 S \* 7/2007 Isshiki ..... D14/126  
D565,520 S \* 4/2008 Yoshimura et al. .... D14/126  
D572,679 S \* 7/2008 Asanuma et al. .... D14/126  
D572,684 S \* 7/2008 Suzuki et al. .... D14/126  
D574,341 S \* 8/2008 Kuramashi et al. .... D14/126  
D576,122 S \* 9/2008 Suzuki et al. .... D14/126  
D576,971 S \* 9/2008 Yokota ..... D14/126

D576,976 S \* 9/2008 Rieu Piquet ..... D14/126  
D588,082 S \* 3/2009 Arai ..... D14/126  
D611,438 S \* 3/2010 Kubota ..... D14/126  
D612,819 S \* 3/2010 Honda ..... D14/126  
D615,508 S \* 5/2010 Kumano ..... D14/126

**FOREIGN PATENT DOCUMENTS**

JP D1355718 4/2009  
JP D1362126 6/2009  
JP D1365676 7/2009

\* cited by examiner

*Primary Examiner* — Raphael Barkai

(74) *Attorney, Agent, or Firm* — Brinks Hofer Gilson & Lione

(57) **CLAIM**

We claim the ornamental design for a television apparatus, as shown and described.

**DESCRIPTION**

FIG. 1 is a front perspective view of a television apparatus of the present invention;  
FIG. 2 is a front view thereof;  
FIG. 3 is a rear view thereof;  
FIG. 4 is a first side view thereof;  
FIG. 5 is a second side view thereof;  
FIG. 6 is a top view thereof;  
FIG. 7 is a bottom view thereof;  
FIG. 8 is a cross-section view taken along the line 8—8 of FIG. 2;  
FIG. 9 is a cross-section view taken along the line 9—9 of FIG. 2;  
FIG. 10 is a cross-section view taken along the line 10—10 of FIG. 2;  
FIG. 11 is a cross-section view taken along the line 11—11 of FIG. 2; and,  
FIG. 12 is an enlarged view of a portion of the front perspective view thereof.

**1 Claim, 5 Drawing Sheets**

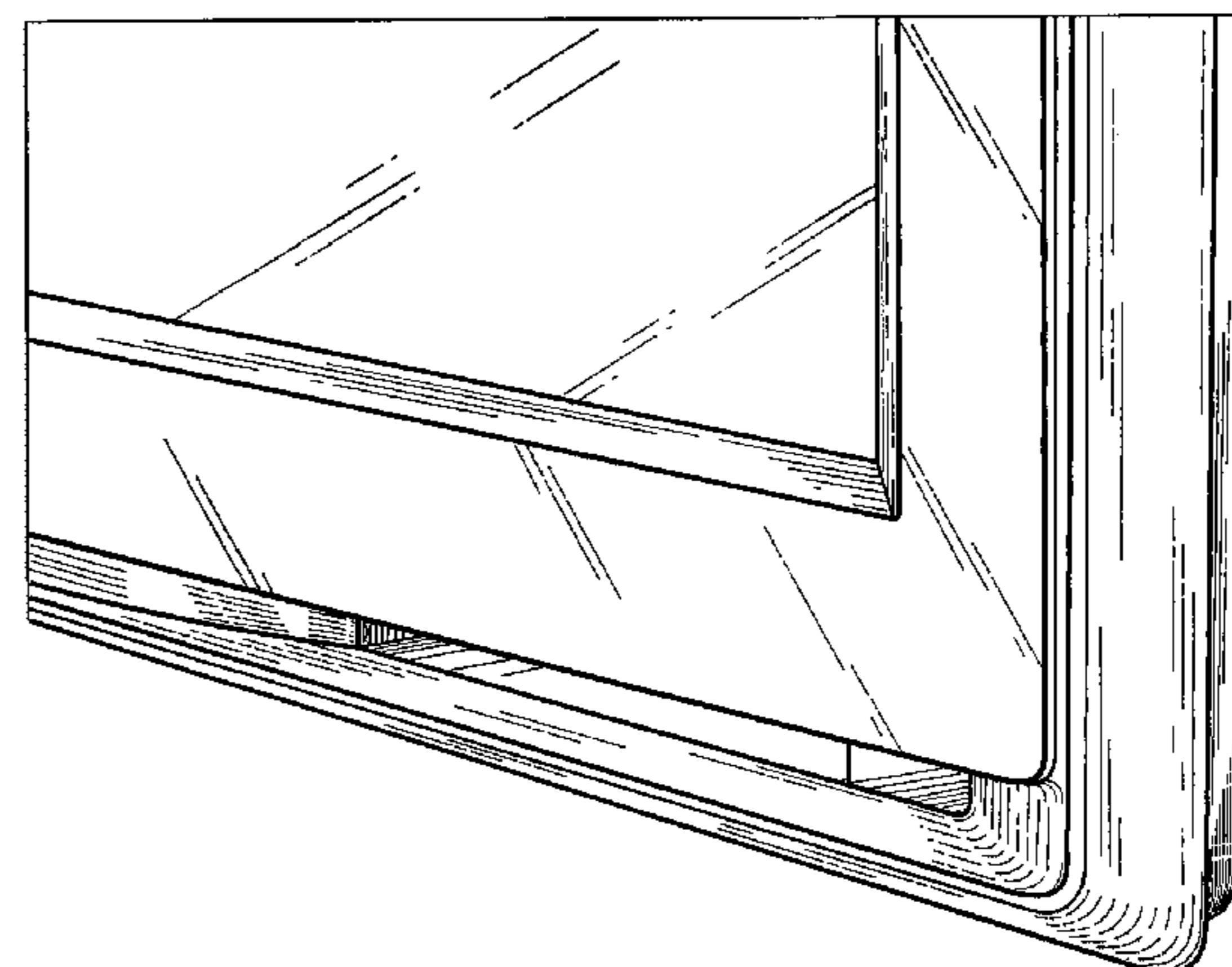
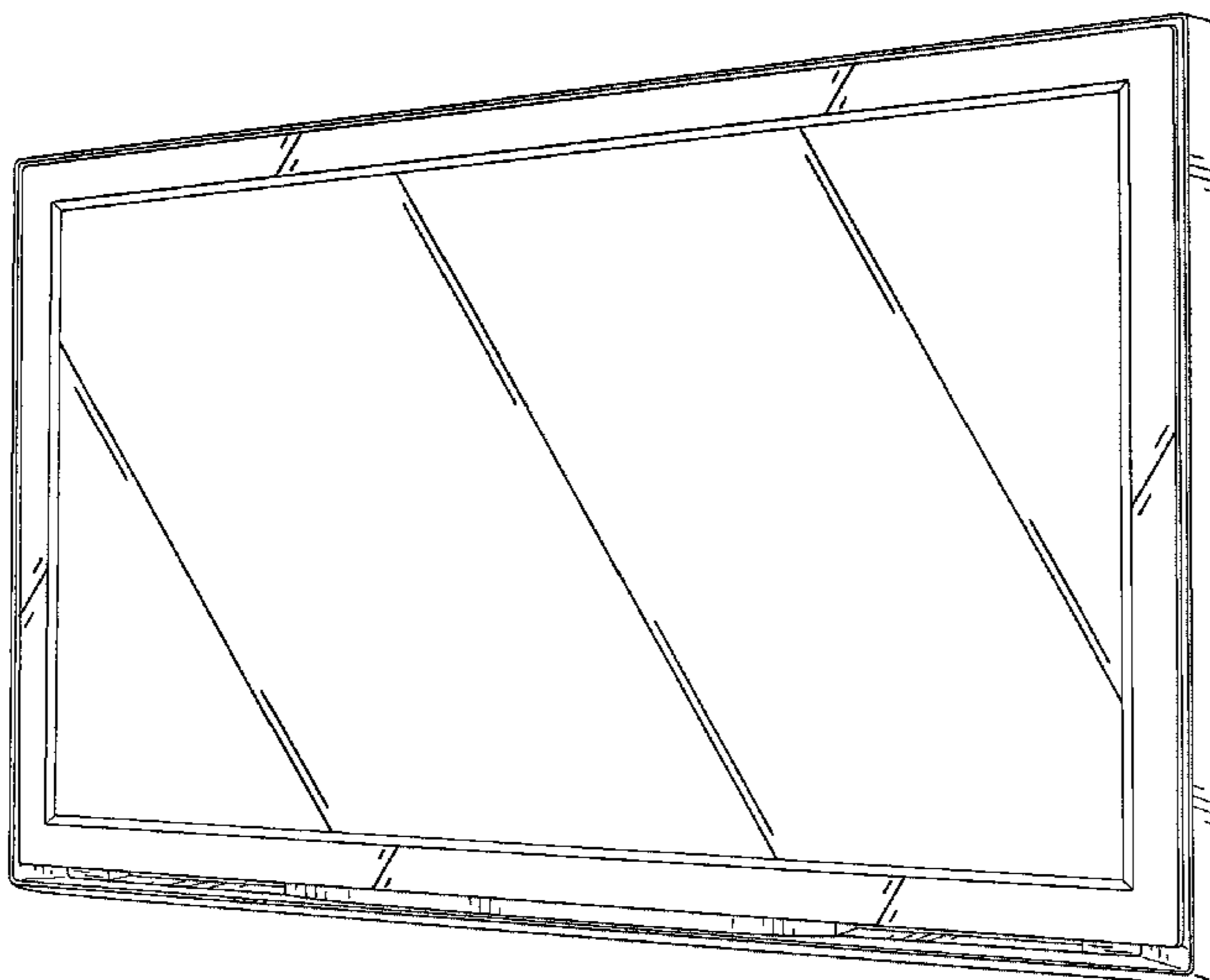


FIG.1

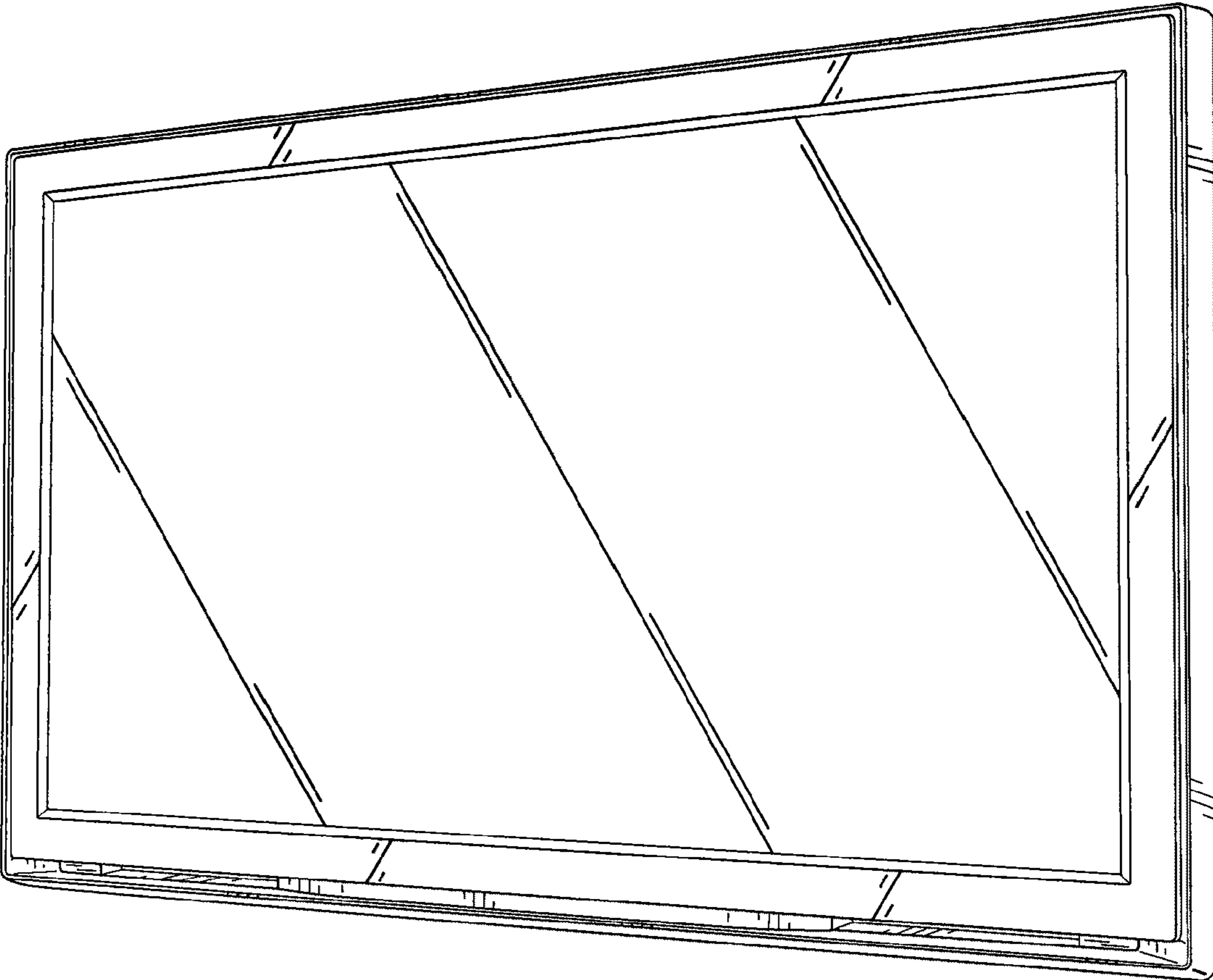


FIG.2

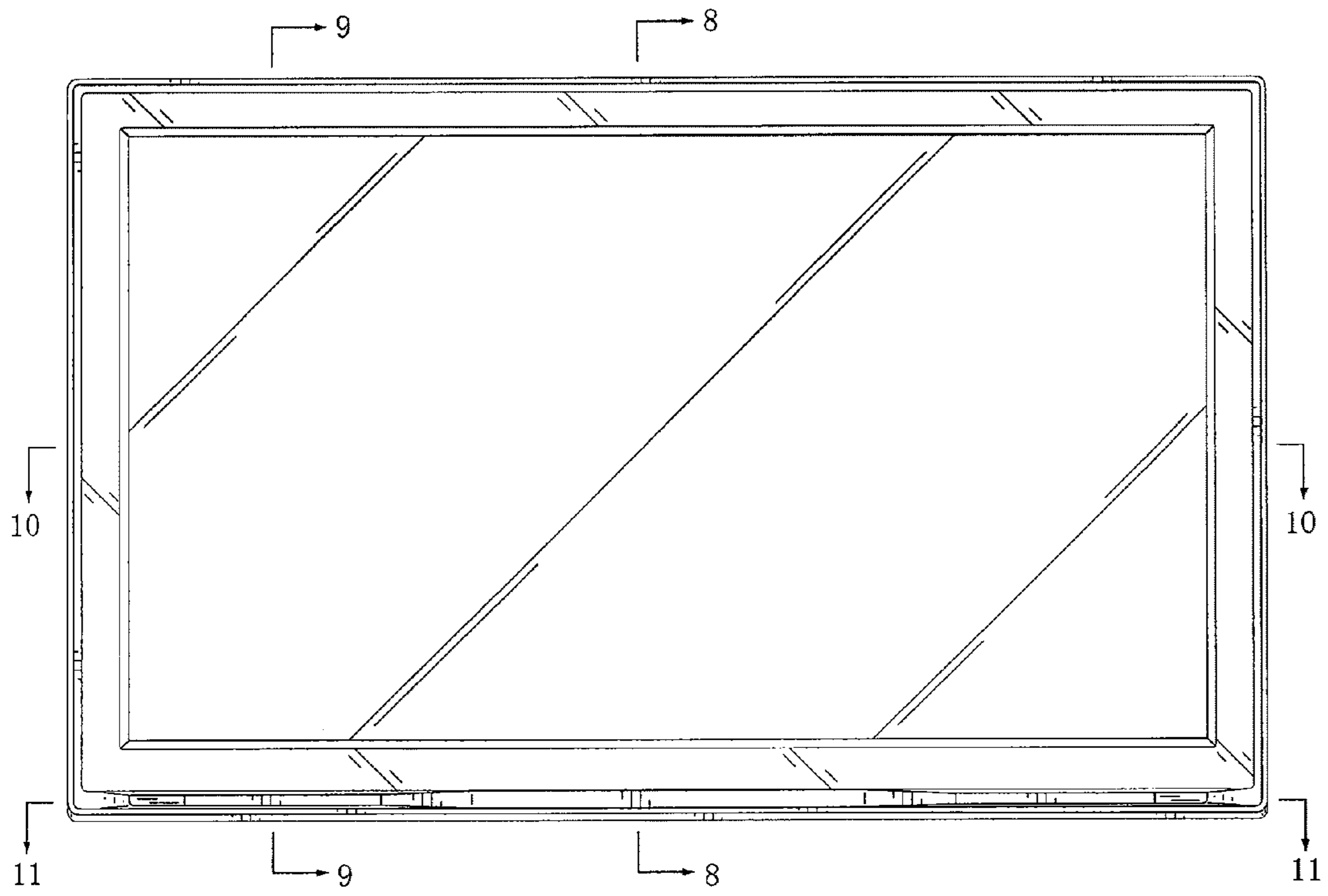
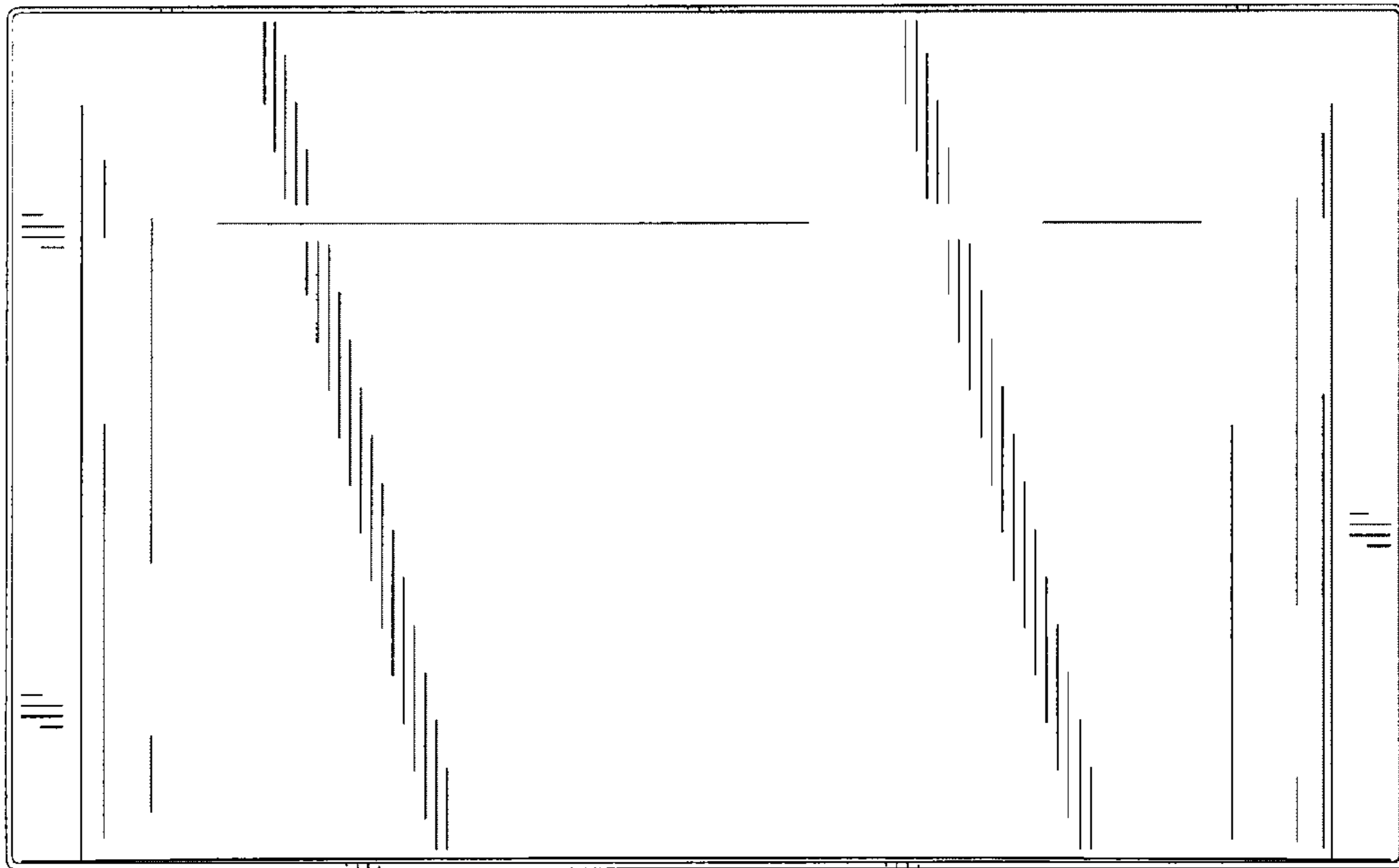


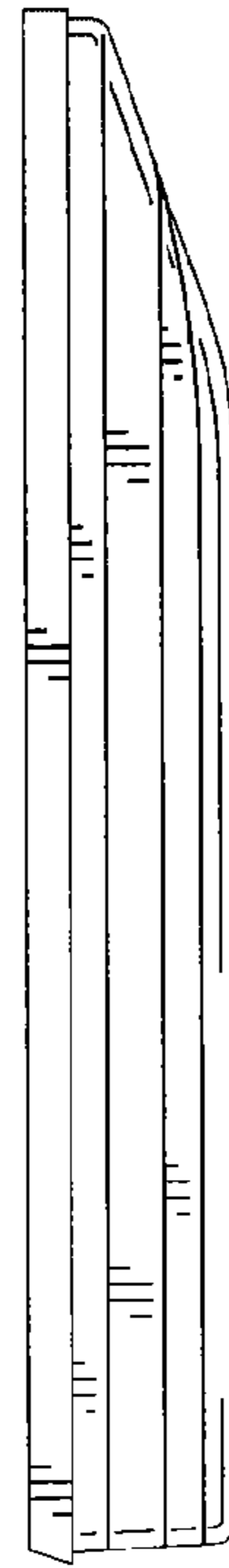
FIG.3



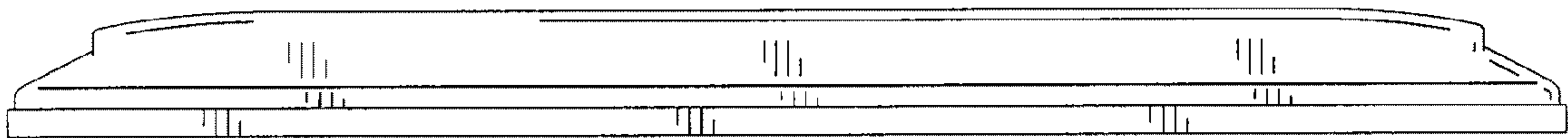
**FIG.4**



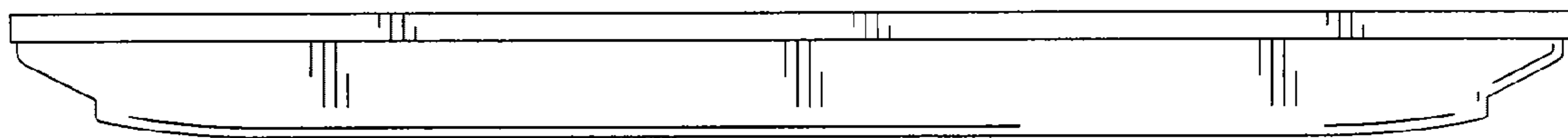
**FIG.5**



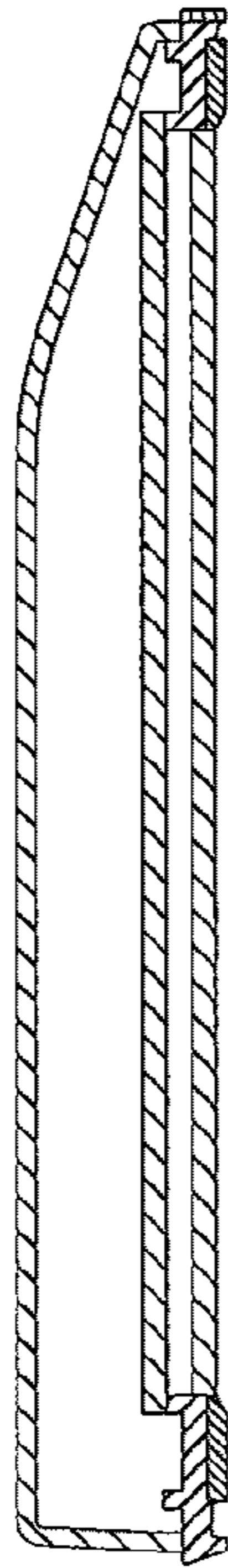
**FIG.6**



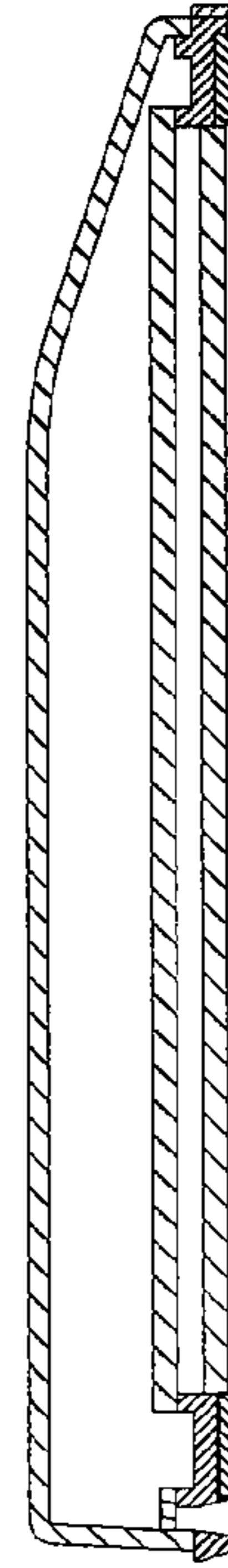
**FIG.7**



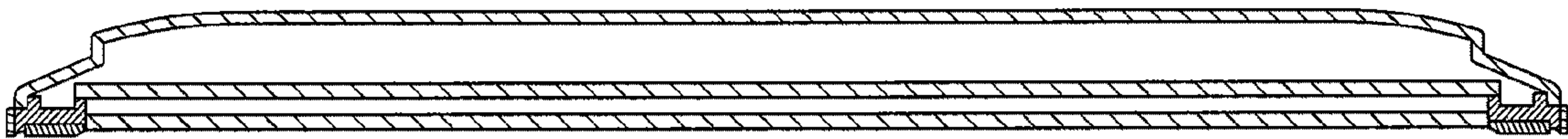
**FIG.8**



**FIG.9**



**FIG.10**



**FIG.11**

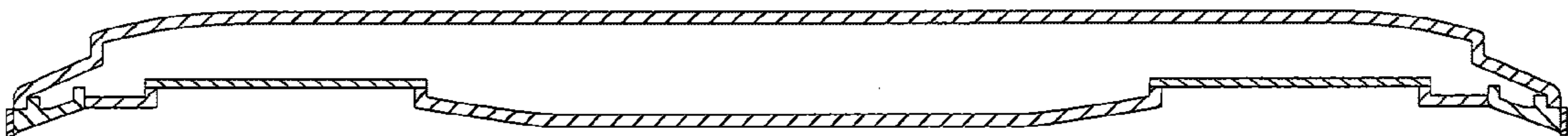


FIG.12

