

US00D642133S

(12) **United States Design Patent**  
**Berning et al.**

(10) **Patent No.:** **US D642,133 S**  
(45) **Date of Patent:** **\*\* Jul. 26, 2011**

(54) **CONTROL PANEL FOR A CONSTRUCTION MACHINE**

(75) Inventors: **Christian Berning**, Zülpich (DE);  
**Thomas Kramer**, Königswinter (DE);  
**Cyrus Barimani**, Königswinter (DE);  
**Günter Hähn**, Königswinter (DE)

(73) Assignee: **Wirtgen GmbH** (DE)

(\*\*) Term: **14 Years**

(21) Appl. No.: **29/358,533**

(22) Filed: **Mar. 29, 2010**

(30) **Foreign Application Priority Data**

Sep. 30, 2009 (EM) ..... 001617994

(51) **LOC (9) Cl.** ..... **13-03**

(52) **U.S. Cl.** ..... **D13/164**

(58) **Field of Classification Search** ..... D13/162,  
D13/164; D15/28; 180/315; 361/93.1; 701/1,  
701/50

See application file for complete search history.

(56) **References Cited**

**U.S. PATENT DOCUMENTS**

5,653,292 A \* 8/1997 Ptacek et al. .... 172/4  
6,169,948 B1 \* 1/2001 Fujishima et al. .... 701/50  
D525,212 S \* 7/2006 Kim ..... D13/162

D553,578 S \* 10/2007 Virtanen et al. .... D13/162  
D553,582 S \* 10/2007 Virtanen et al. .... D13/164  
D557,218 S \* 12/2007 Ewringmann ..... D13/164  
D557,221 S \* 12/2007 Ewringmann ..... D13/168  
7,487,608 B2 \* 2/2009 Yamazaki et al. .... 37/245  
2005/0159850 A1 \* 7/2005 Melman ..... 701/1  
2006/0025914 A1 \* 2/2006 Buschmann ..... 701/50

\* cited by examiner

*Primary Examiner* — Selina Sikder

(74) *Attorney, Agent, or Firm* — Wadley & Patterson, P.C.;  
Lucian Wayne Beavers

(57) **CLAIM**

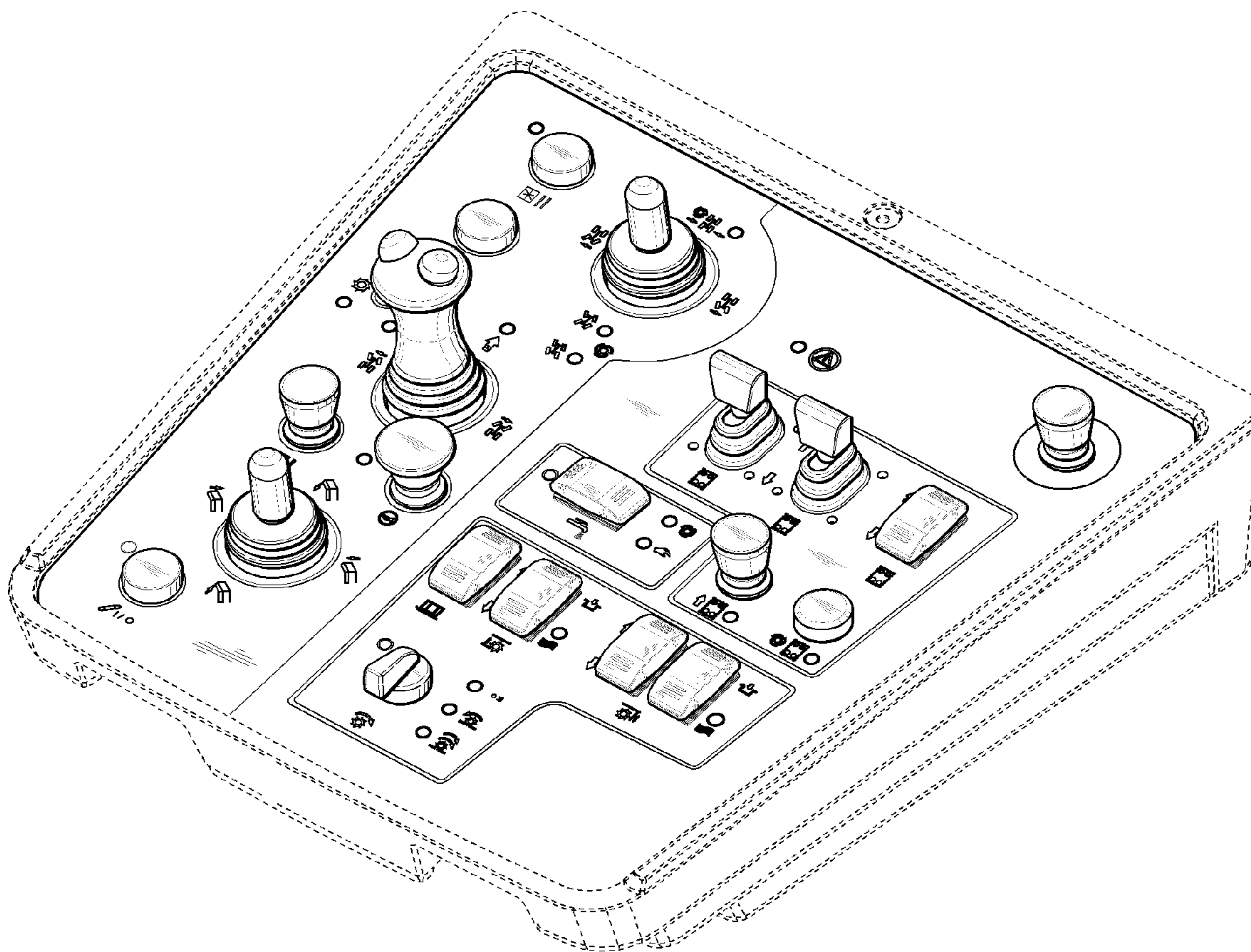
What is claimed is the ornamental design for a control panel for a construction machine, as shown and described.

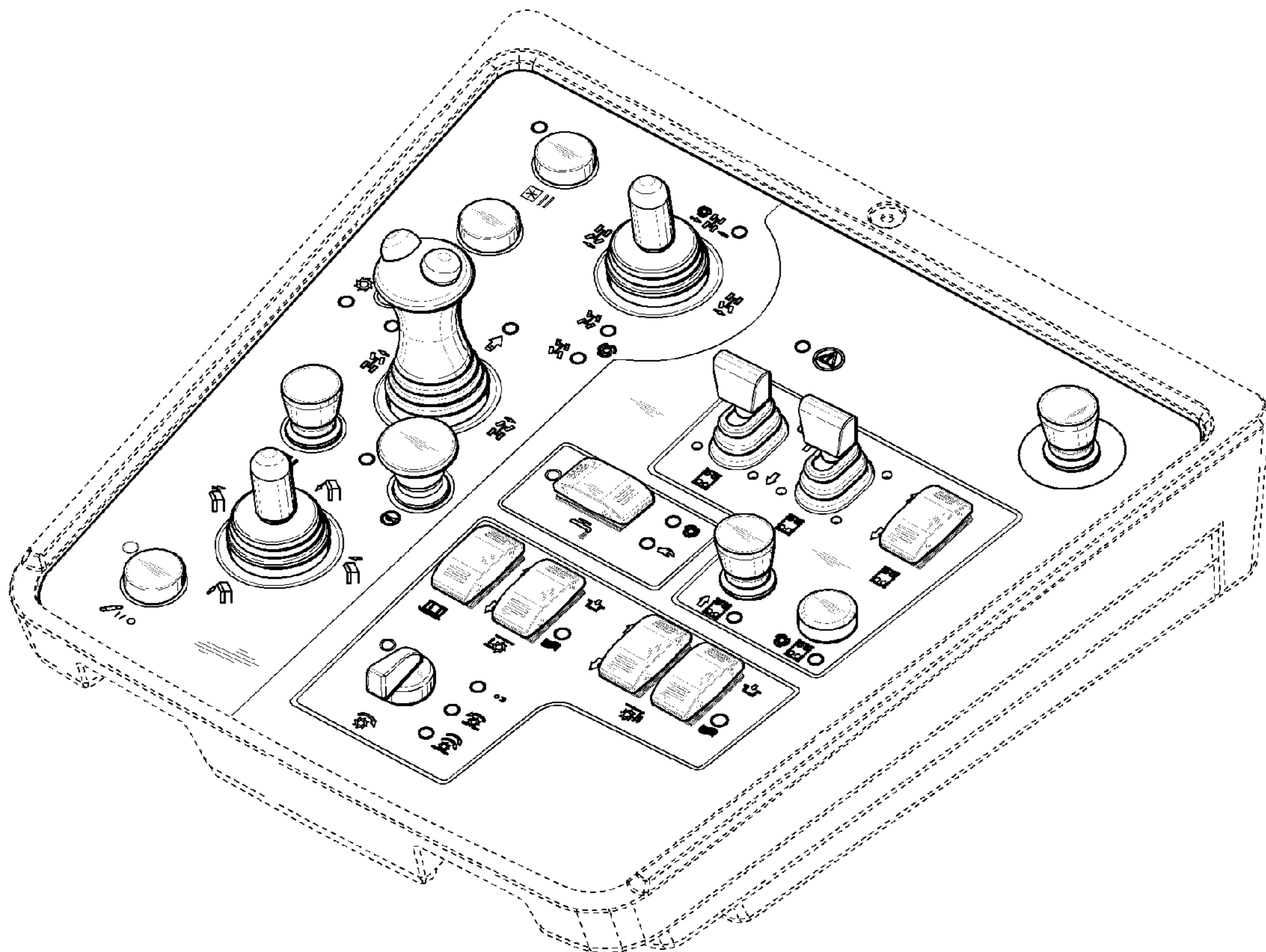
**DESCRIPTION**

FIG. 1 is a top front perspective view of the control panel for a construction machine. The broken lines are shown for environmental purposes only and form no part of the claimed design; and,

FIG. 2 is a top plan view of the control panel for a construction machine of FIG. 1. The broken lines are shown for environmental purposes only and form no part of the claimed design.

**1 Claim, 2 Drawing Sheets**





*FIG. 1*

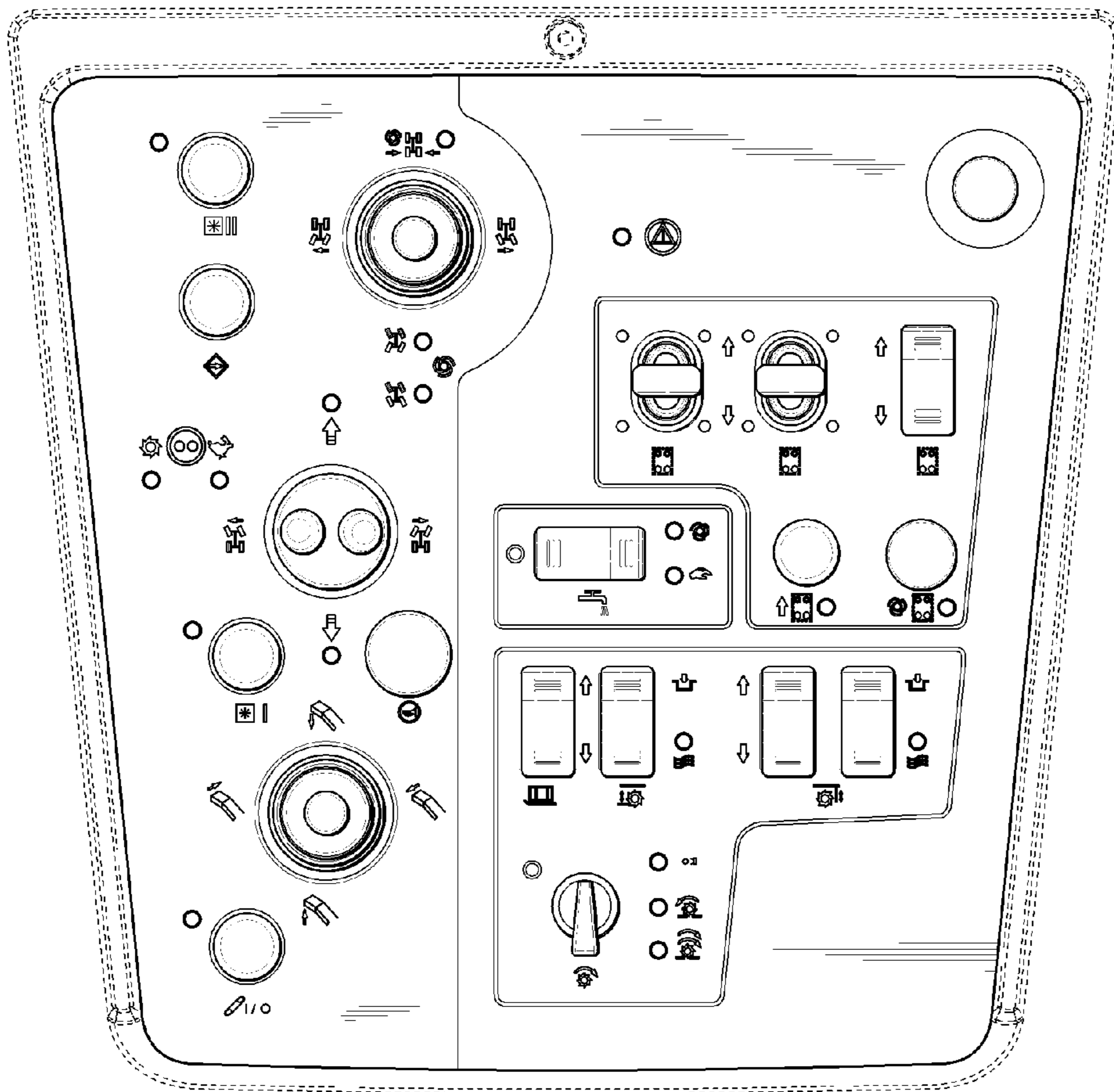


FIG. 2