



US00D642132S

(12) **United States Design Patent**
Brennan, III et al.

(10) **Patent No.:** **US D642,132 S**
(45) **Date of Patent:** **** Jul. 26, 2011**

(54) **CONTROL PANEL**

(75) Inventors: **Richard Charles Brennan, III**,
Oakdale, MN (US); **Allen Richard
Kilgore**, St. Paul, MN (US); **Harold
Mathew McCabe**, Roseville, MN (US);
Robert Lee Hosfield, Centerville, MN
(US); **Jonathan David Gamble**, Taylors
Falls, MN (US)

(73) Assignee: **Sta-Rite Industries, LLC**, Delavan, WI
(US)

(**) Term: **14 Years**

(21) Appl. No.: **29/363,535**

(22) Filed: **Jun. 10, 2010**

(51) **LOC (9) Cl.** **13-03**

(52) **U.S. Cl.** **D13/162; D13/164**

(58) **Field of Classification Search** D13/162,
D13/164; D10/49, 50; D14/443; 200/5 R,
200/5 A, 296, 308, 310, 314; 340/500; 341/22,
341/34; 345/156, 173; 361/600, 601, 622,
361/627, 628, 679.01; 700/17, 83; 715/700,
715/810; 169/44

See application file for complete search history.

(56) **References Cited**

U.S. PATENT DOCUMENTS

D287,005 S * 12/1986 Newton D13/162
5,086,846 A * 2/1992 Carlson 169/15

D388,769 S * 1/1998 Pritchard et al. D13/162
5,739,486 A * 4/1998 Buckingham 200/5 A
6,239,726 B1 * 5/2001 Saida 340/999
7,087,847 B2 * 8/2006 Parkinson et al. 200/5 A
D553,096 S * 10/2007 Pffingsten et al. D13/162
D553,100 S * 10/2007 Peterson D13/164
D586,617 S * 2/2009 Martin et al. D7/405
2007/0018954 A1 * 1/2007 Cho et al. 345/156
2008/0257697 A1 * 10/2008 Kim et al. 200/296
2009/0040074 A1 * 2/2009 McTavish et al. 341/22
2011/0056710 A1 * 3/2011 Gamble et al. 169/44

* cited by examiner

Primary Examiner — Selina Sikder

(74) *Attorney, Agent, or Firm* — Quarles & Brady LLP

(57) **CLAIM**

The ornamental design for a control panel, as shown and described.

DESCRIPTION

FIG. 1 is a perspective view of our new control panel;

FIG. 2 is a front view thereof;

FIG. 3 is a right side view thereof;

FIG. 4 is a left side view thereof;

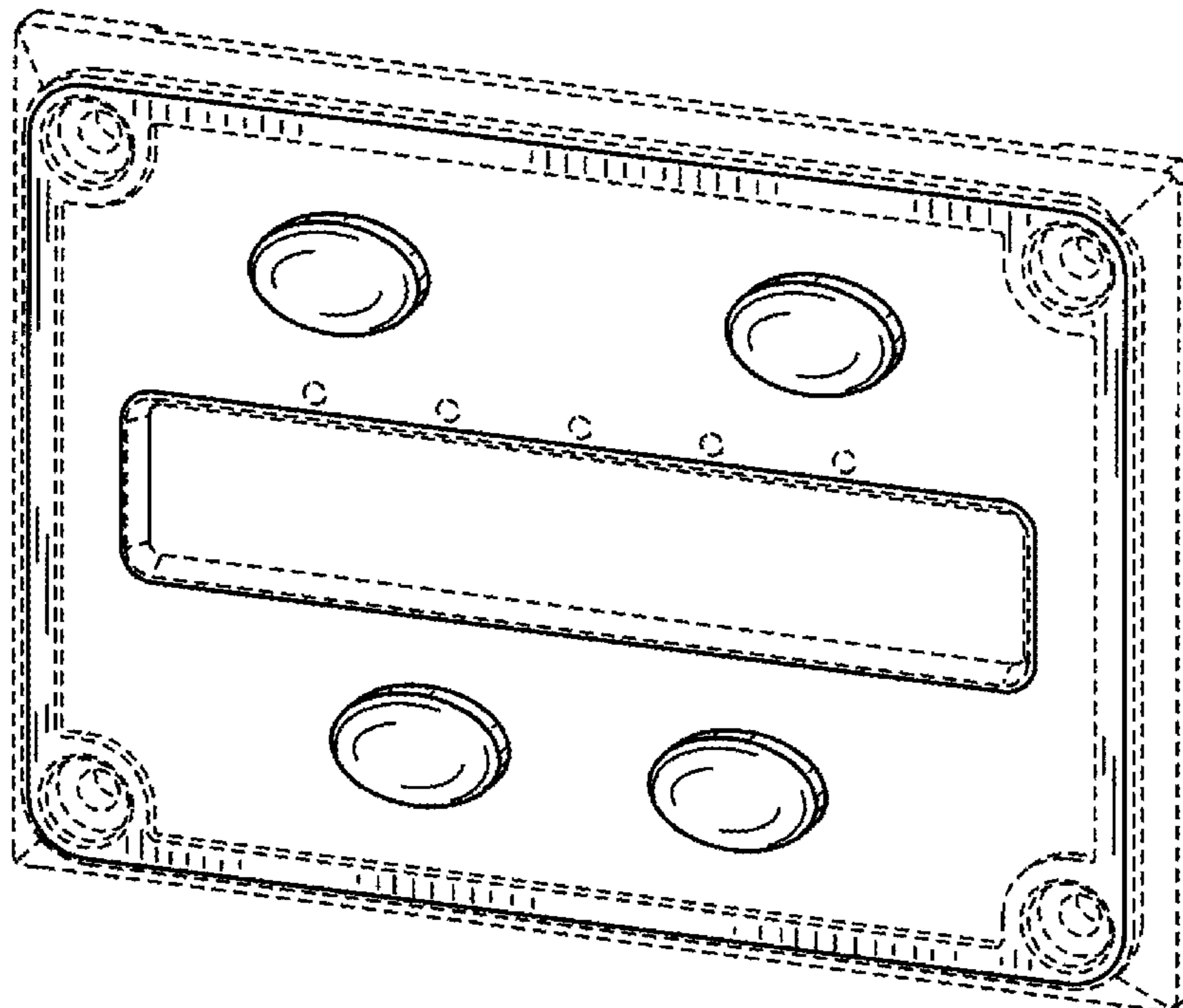
FIG. 5 is top view thereof;

FIG. 6 is a bottom view thereof; and,

FIG. 7 is a rear view thereof.

The broken line portion of the figure drawings is included to show unclaimed subject matter only and forms no part of the claimed design.

1 Claim, 5 Drawing Sheets



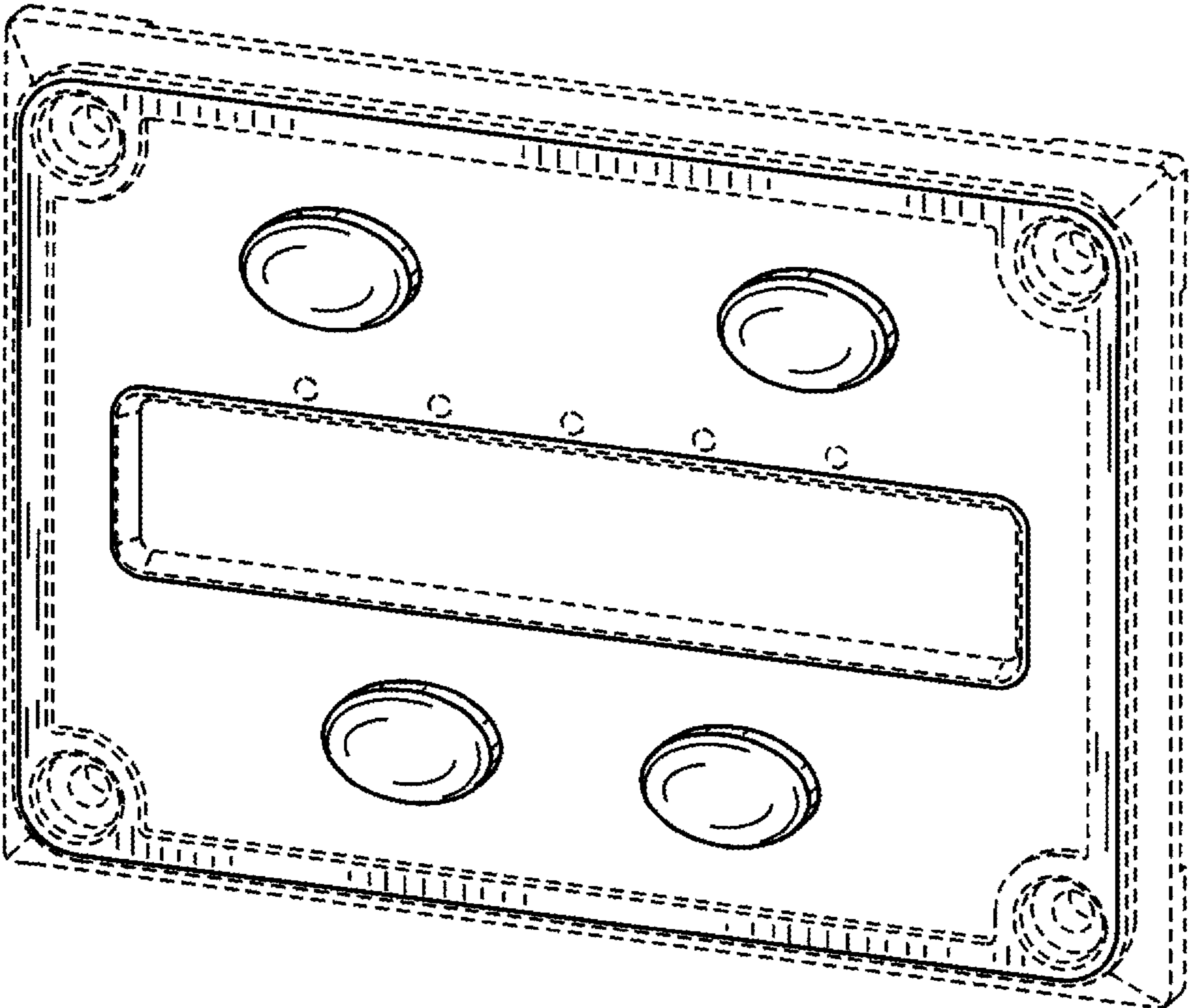


FIG. 1

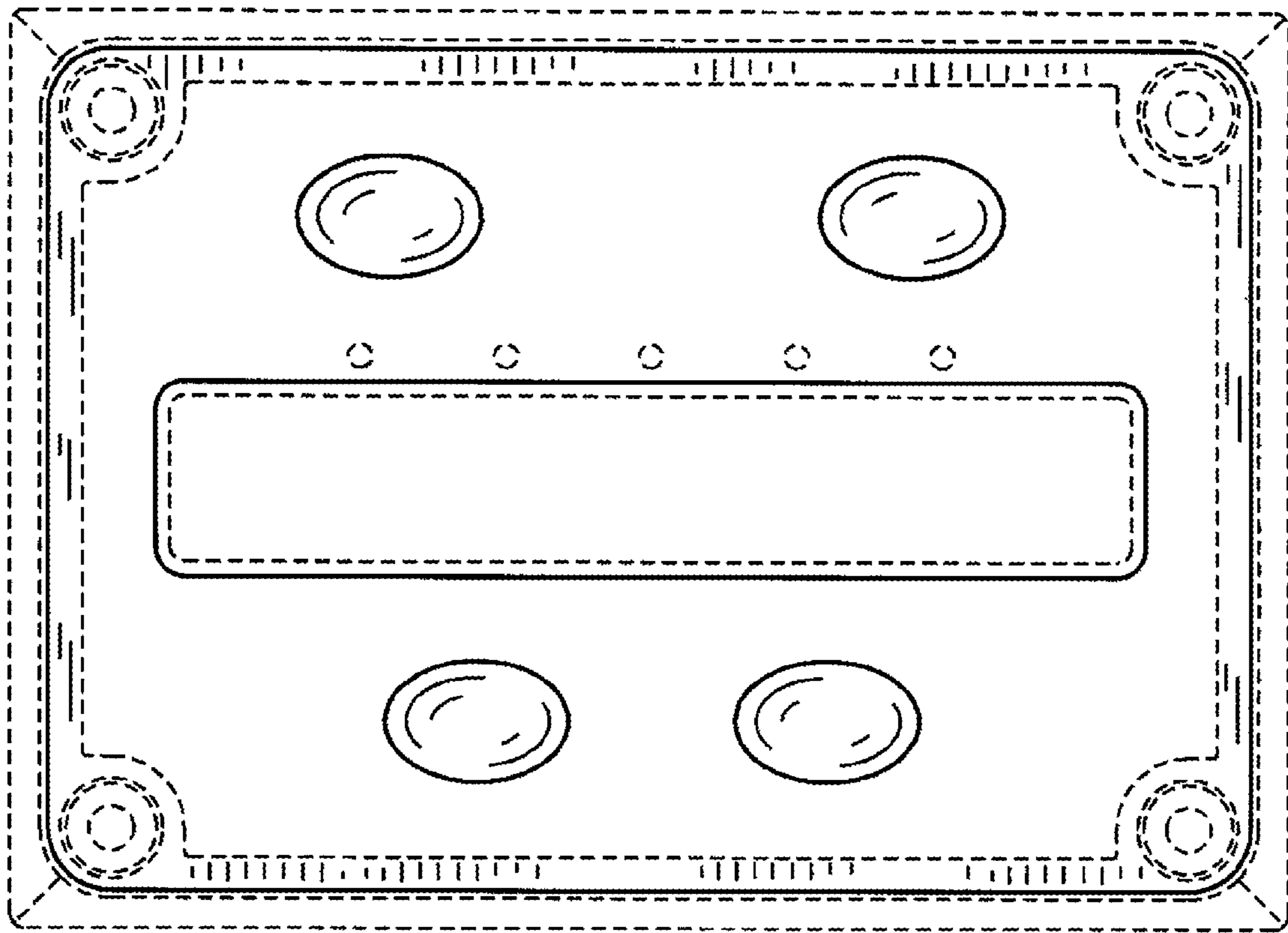


FIG. 2

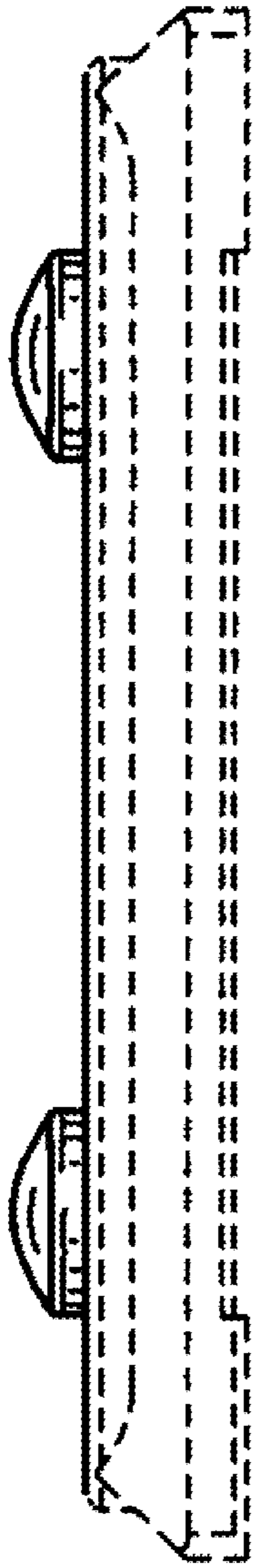


FIG. 3

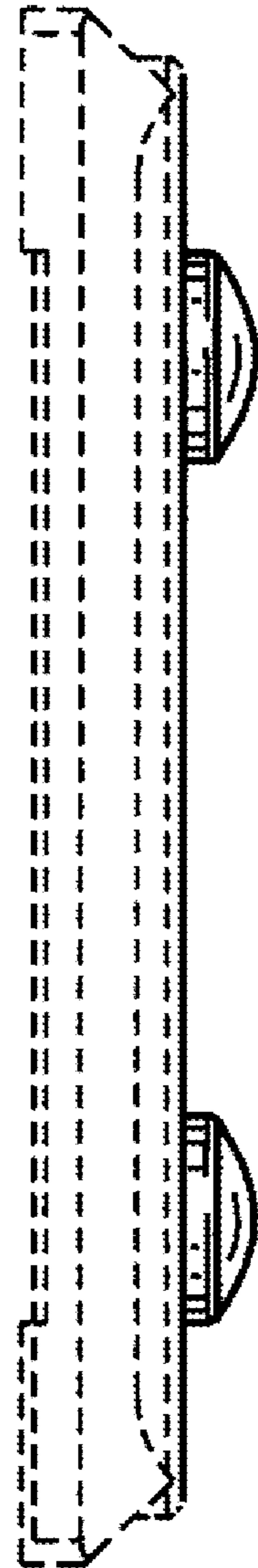


FIG. 4

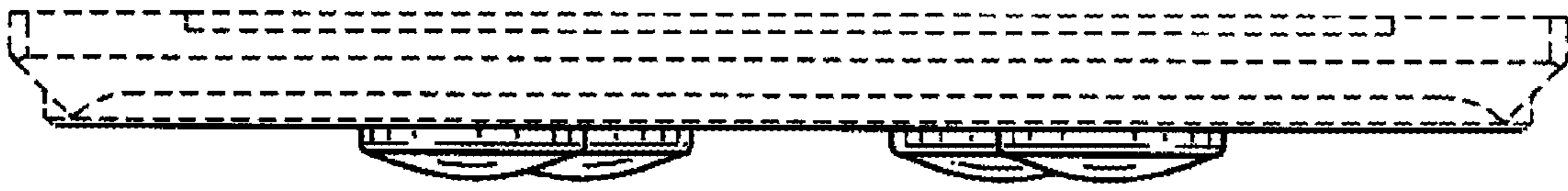


FIG. 5

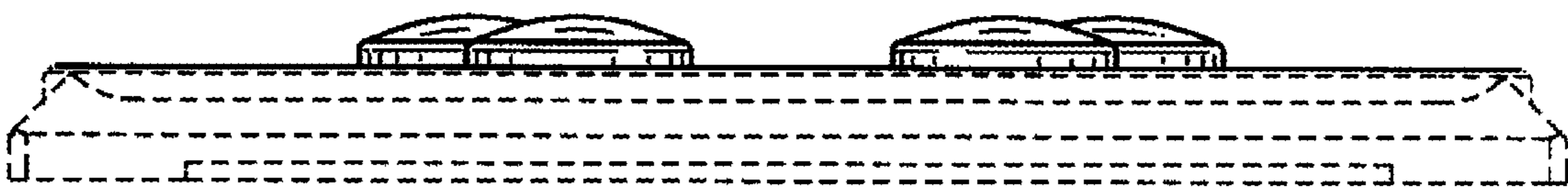


FIG. 6

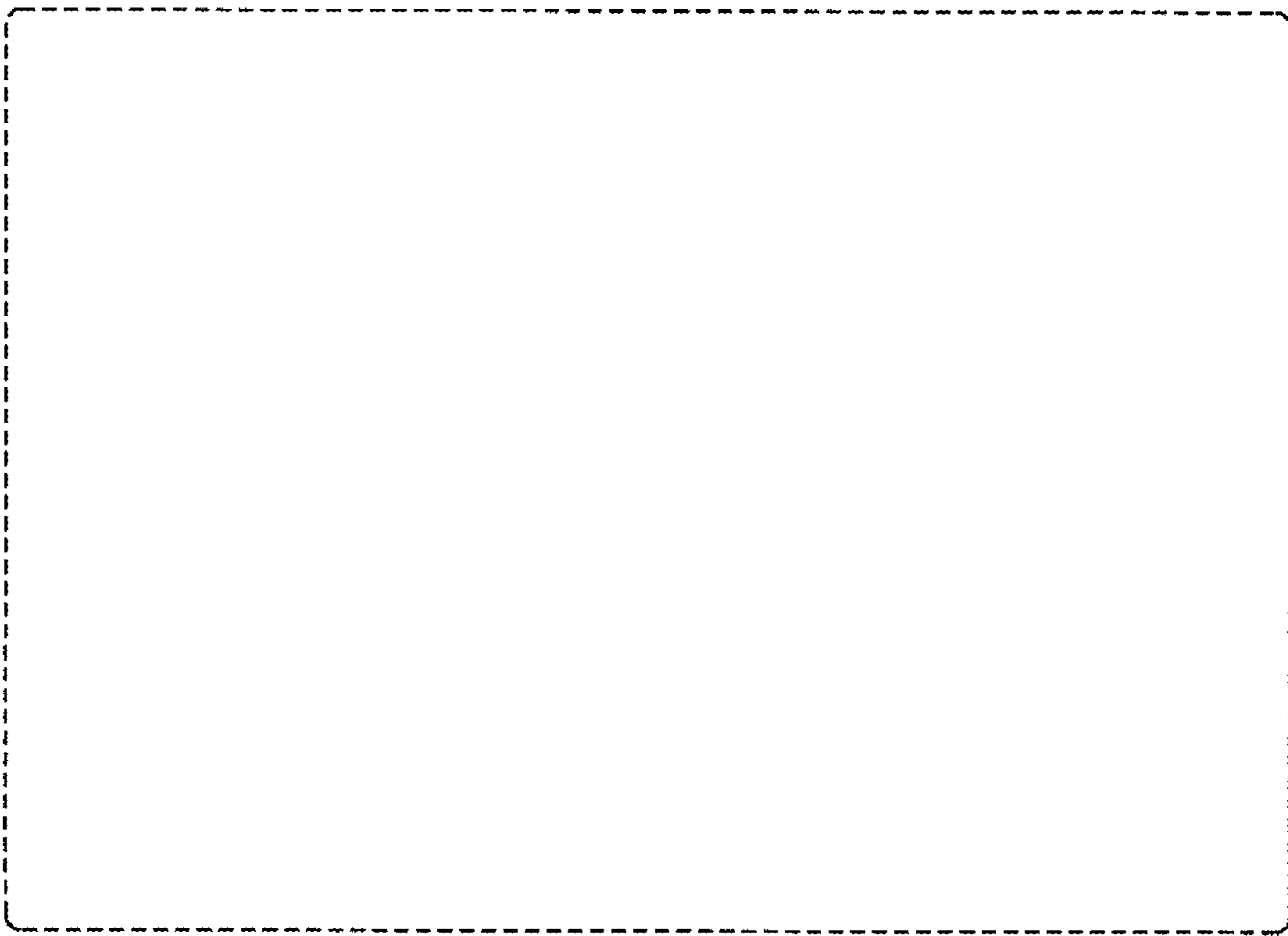


FIG. 7