



US00D642129S

(12) **United States Design Patent**
Ohkuma

(10) **Patent No.:** **US D642,129 S**

(45) **Date of Patent:** **** Jul. 26, 2011**

(54) **ELECTRICAL CONNECTOR**

(75) Inventor: **Yoshihito Ohkuma**, Kanagawa (JP)

(73) Assignee: **Iriso Electronics Co., Ltd.**, Kanagawa (JP)

(**) Term: **14 Years**

(21) Appl. No.: **29/369,306**

(22) Filed: **Sep. 7, 2010**

(30) **Foreign Application Priority Data**

Mar. 12, 2010 (JP) 2010-006147

(51) **LOC (9) Cl.** **13-03**

(52) **U.S. Cl.** **D13/133**

(58) **Field of Classification Search** D13/133,
D13/146-147, 154, 156, 184; 439/266, 345,
439/352, 357, 358, 476.1, 595, 607.01, 607.04,
439/607.05, 607.17, 607.25, 607.34, 607.41,
439/607.53, 660, 680, 682, 752

See application file for complete search history.

(56) **References Cited**

U.S. PATENT DOCUMENTS

6,805,562 B2 * 10/2004 Liao et al. 439/68
D509,476 S * 9/2005 Ma et al. D13/149
D596,124 S * 7/2009 Ma et al. D13/133
D629,755 S * 12/2010 Oda et al. D13/147

D631,012 S * 1/2011 Denpouya D13/133
2004/0053541 A1 * 3/2004 Murr 439/862
2004/0242058 A1 * 12/2004 Ma et al. 439/526

FOREIGN PATENT DOCUMENTS

JP D1378883 2/2010
JP D1378884 2/2010

* cited by examiner

Primary Examiner — Daniel Bui

(74) *Attorney, Agent, or Firm* — Lowe Hauptman Ham & Berner, LLP

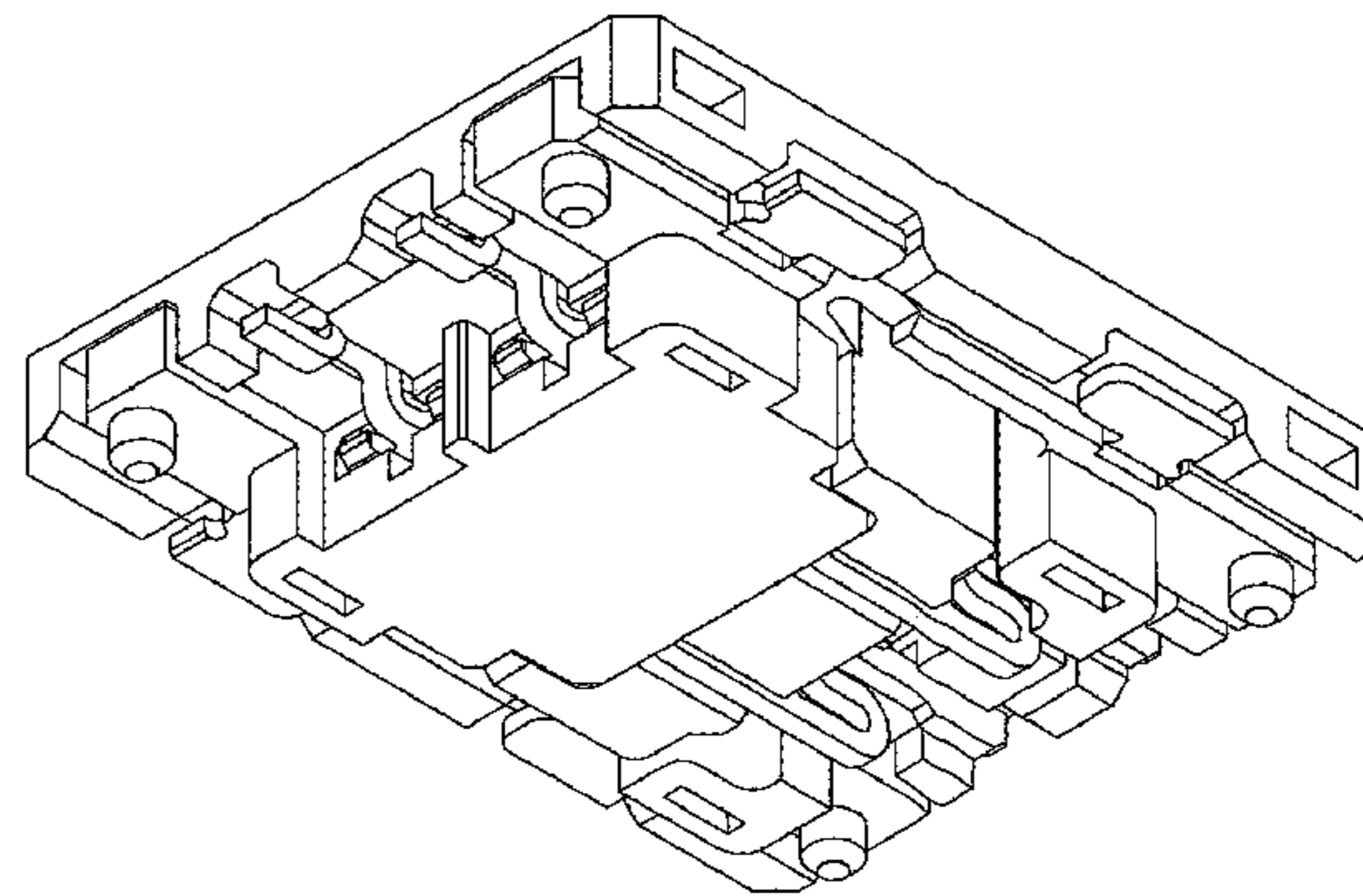
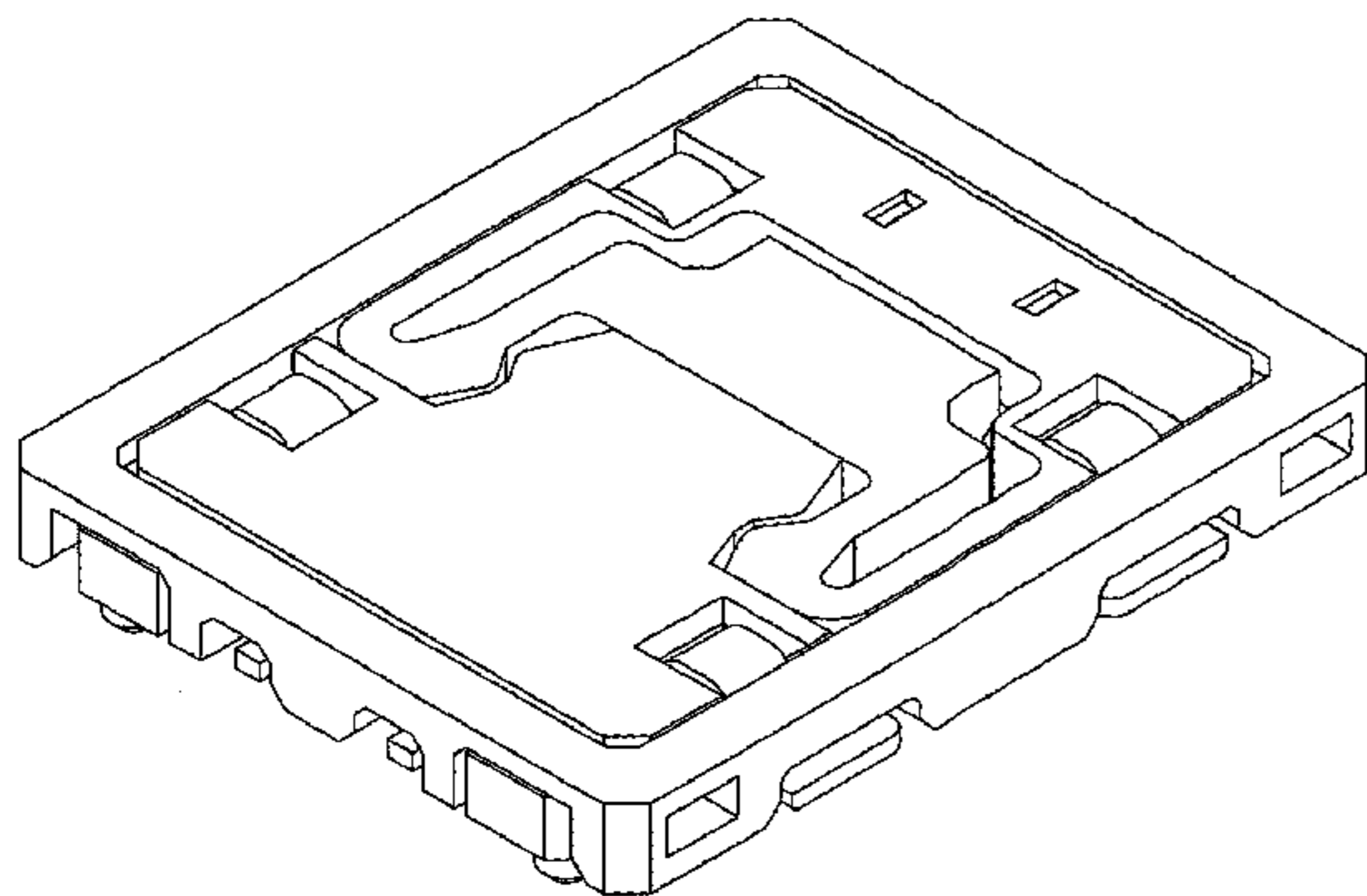
(57) **CLAIM**

The ornamental design for an electrical connector, as shown.

DESCRIPTION

FIG. 1 is a front elevation view of an electrical connector showing my new design;
FIG. 2 is a rear elevation view thereof;
FIG. 3 is a top plan view thereof;
FIG. 4 is a bottom plan view thereof;
FIG. 5 is a right side elevation view thereof, the left side elevation view being a mirror image thereto;
FIG. 6 is a top, front and right side perspective view thereof;
and,
FIG. 7 is a bottom, front and right side perspective view thereof.

1 Claim, 5 Drawing Sheets



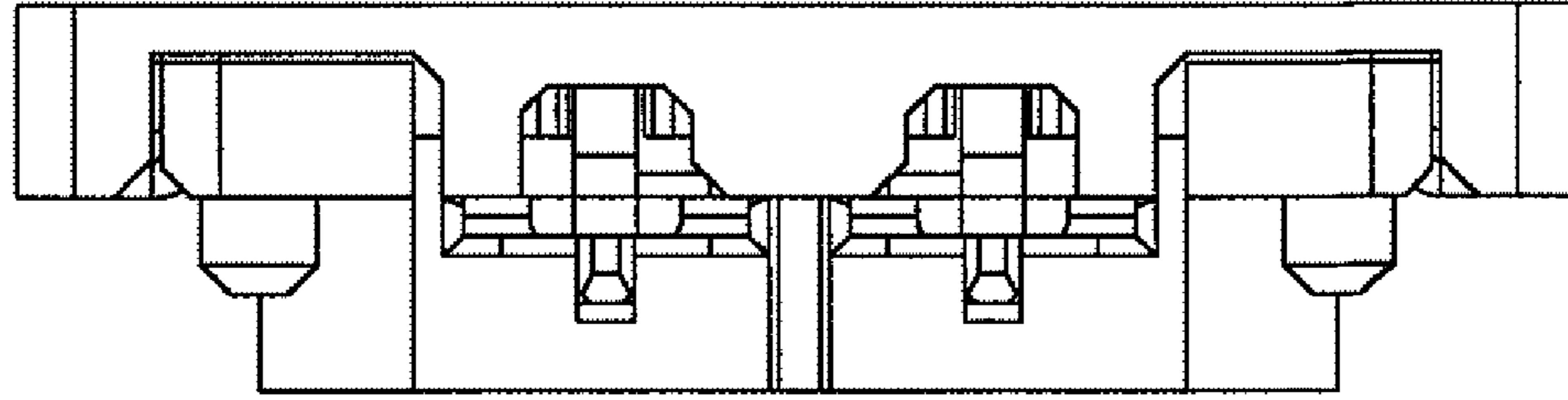


FIG. 1

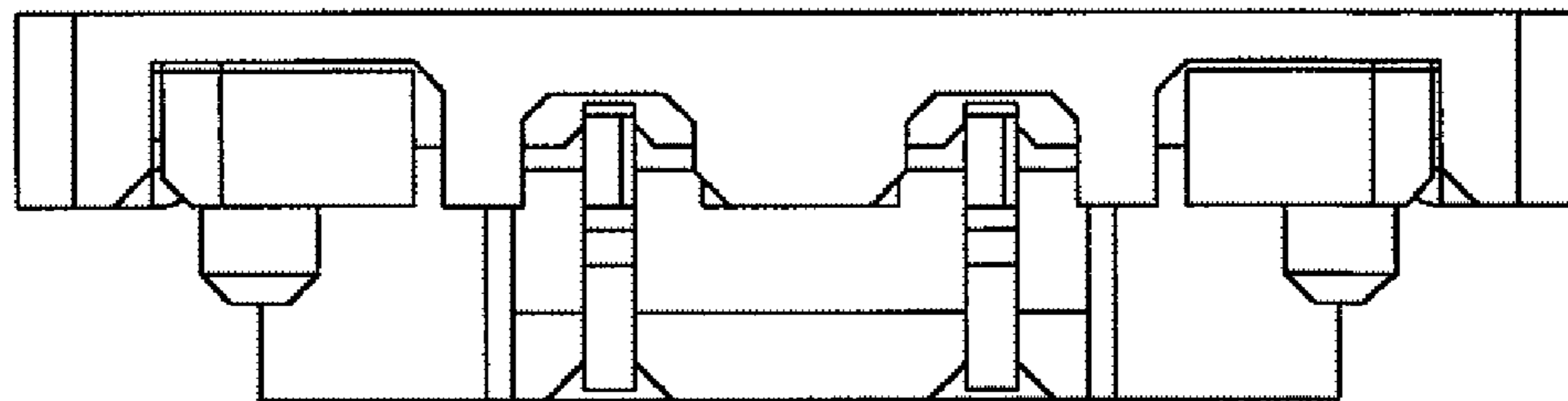


FIG. 2

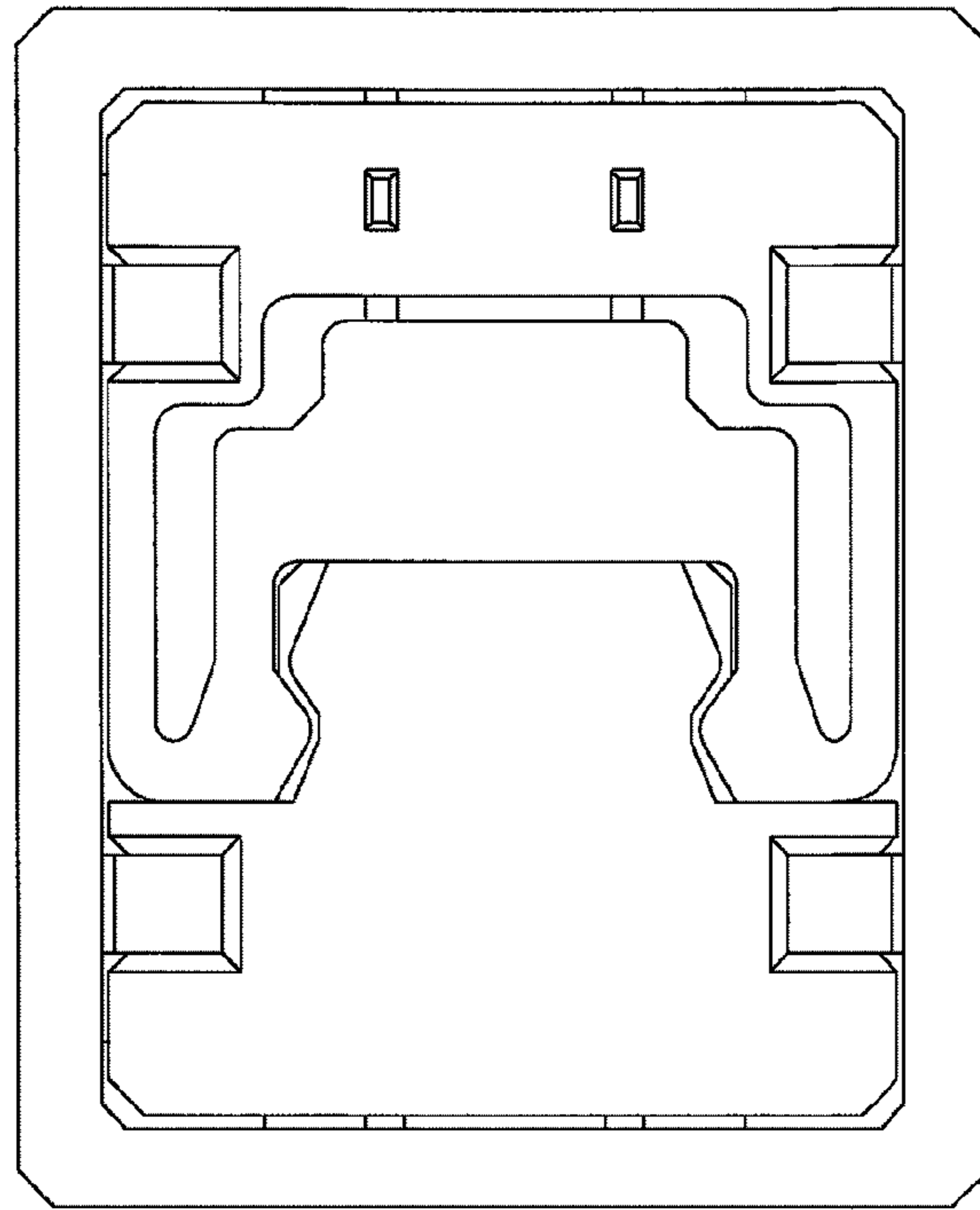


FIG. 3

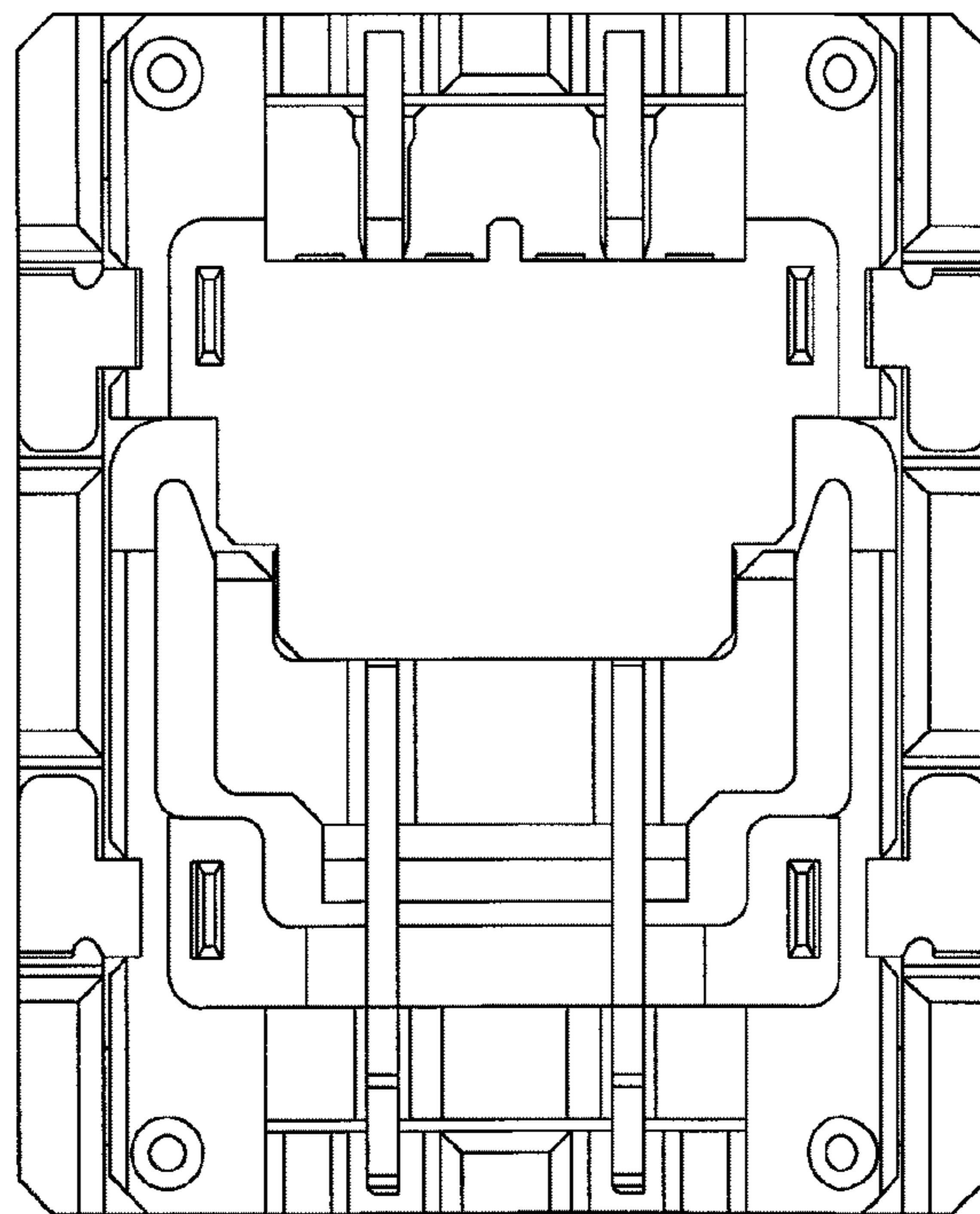


FIG. 4

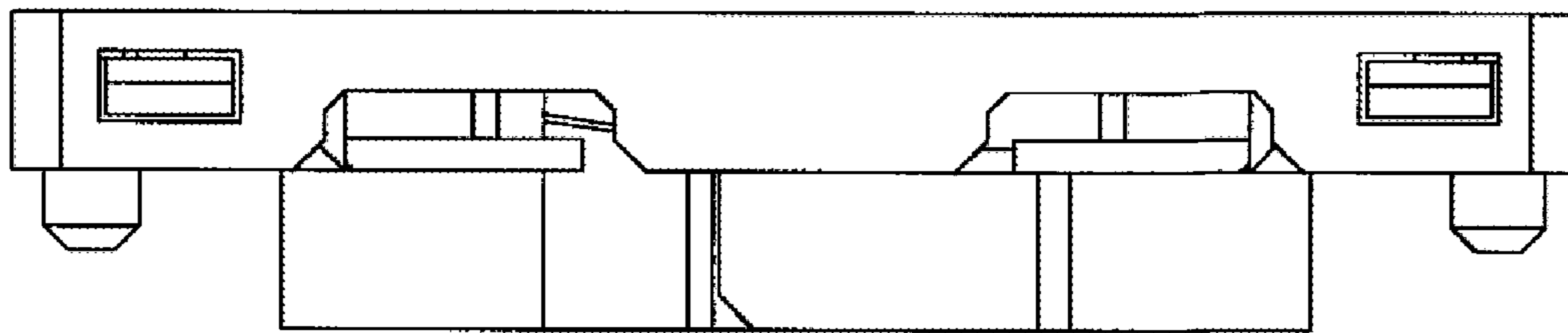


FIG. 5

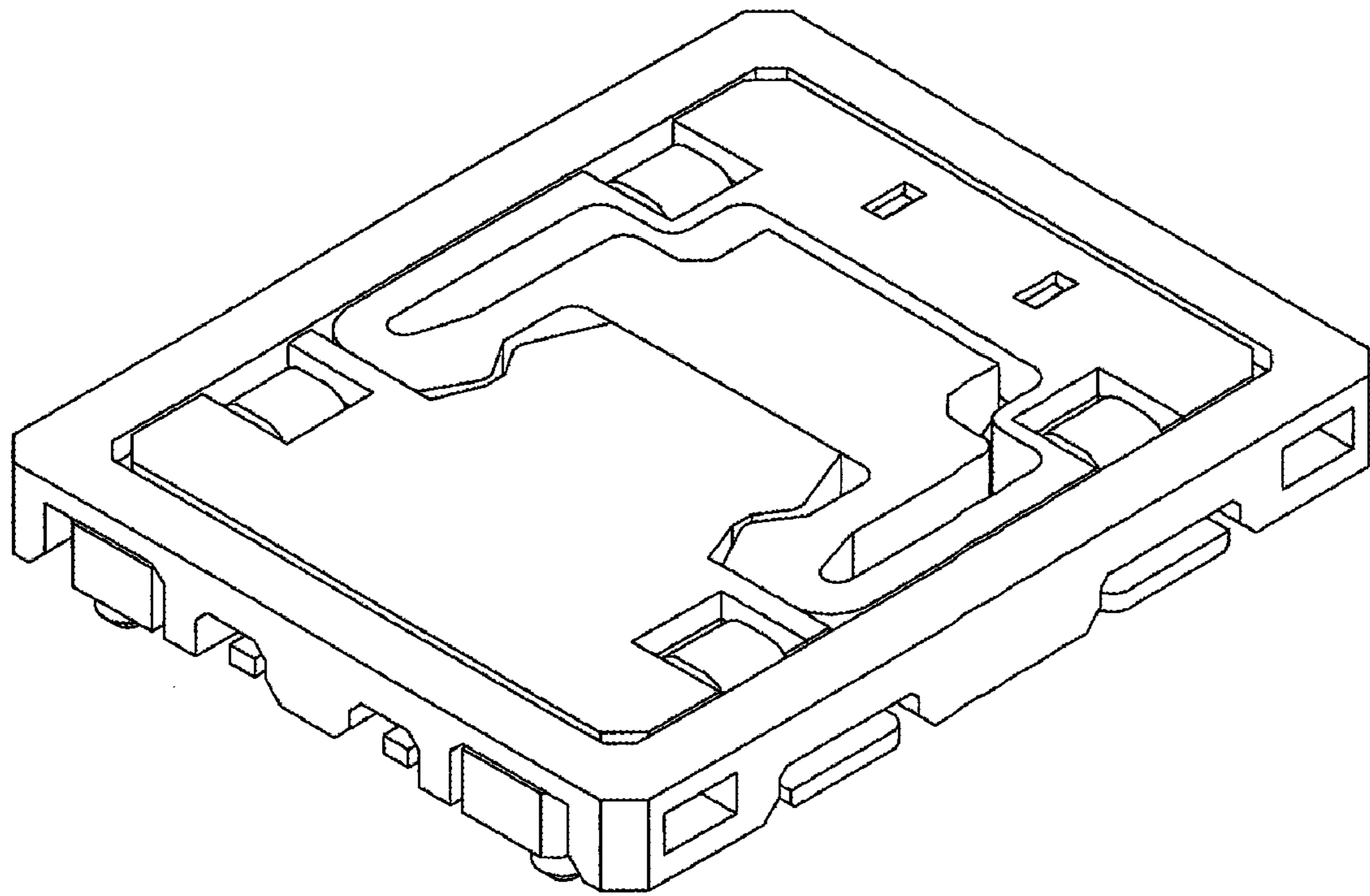


FIG. 6

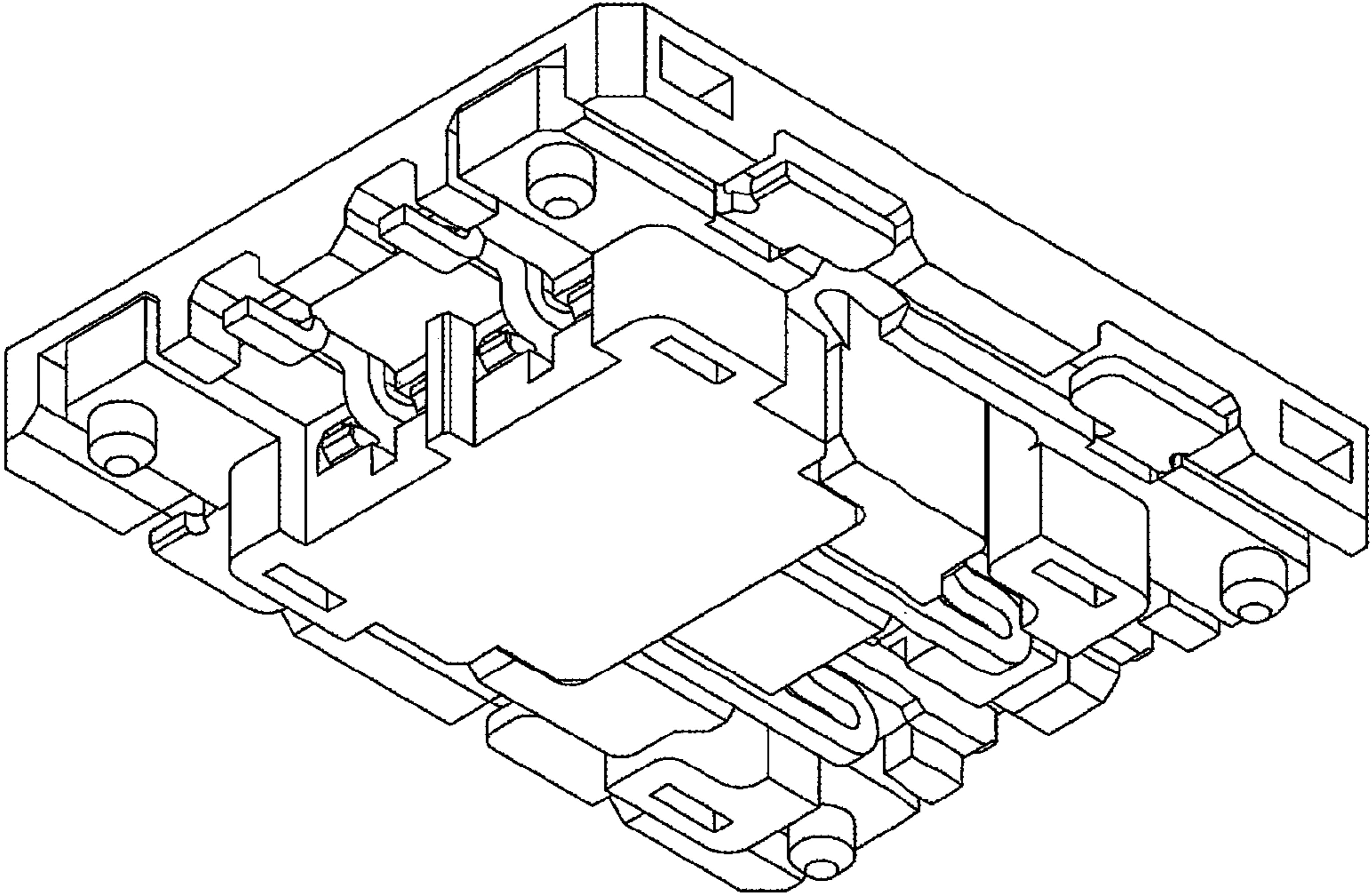


FIG. 7