



US00D642125S

(12) **United States Design Patent**  
**Race**

(10) **Patent No.:** **US D642,125 S**

(45) **Date of Patent:** **\*\* Jul. 26, 2011**

(54) **WIND CUP**

(76) Inventor: **Daniel Matthew Race**, Millbrae, CA  
(US)

(\*\*) Term: **14 Years**

(21) Appl. No.: **29/377,993**

(22) Filed: **Oct. 28, 2010**

(51) **LOC (9) Cl.** ..... **13-01**

(52) **U.S. Cl.** ..... **D13/115**

(58) **Field of Classification Search** ..... D13/115,  
D13/118, 122, 199; D7/316, 318, 500, 536,  
D7/543, 583, 586; D12/344, 345; D15/1,  
D15/199; D21/458; 290/52, 54, 55; 415/916;  
416/24, 31, 37, 38, 132 B, 132 R, 141, 142,  
416/176, 177, 196 A, 197 R; D9/447  
See application file for complete search history.

(56) **References Cited**

**U.S. PATENT DOCUMENTS**

459,184	A *	9/1891	Hawkins	.....	416/197 R
1,279,320	A *	9/1918	Gamlen	.....	416/197 R
2,023,659	A	12/1935	Amico		
2,252,788	A	8/1941	Sparr		
2,518,611	A	8/1950	Geiger		
D243,408	S	2/1977	McAllister		
4,329,593	A	5/1982	Willmouth		
4,364,709	A *	12/1982	Tornquist	.....	416/132 B
D335,082	S *	4/1993	Delorey	.....	D9/447
D336,762	S *	6/1993	Miller	.....	D25/1

5,419,454	A *	5/1995	Stowell et al.	.....	220/574
D373,932	S *	9/1996	Onneweer	.....	D7/543
5,656,865	A	8/1997	Evans		
D487,060	S *	2/2004	Ehrenberger	.....	D13/115
6,895,812	B2	5/2005	Dahlberg		
D508,893	S *	8/2005	Kato et al.	.....	D13/115
D511,323	S *	11/2005	Kato et al.	.....	D13/115

\* cited by examiner

*Primary Examiner* — Stella Reid

*Assistant Examiner* — Derrick Holland

(74) *Attorney, Agent, or Firm* — Casio & Zervas; Anthony T. Cascio; Charles H. Jew

(57) **CLAIM**

The ornamental design for a wind cup, substantially as shown and described.

**DESCRIPTION**

FIG. 1 is a front elevation view of a wind cup showing my new design;

FIG. 2 is a rear elevation view thereof;

FIG. 3 is a top plan view thereof;

FIG. 4 is a bottom plan view thereof;

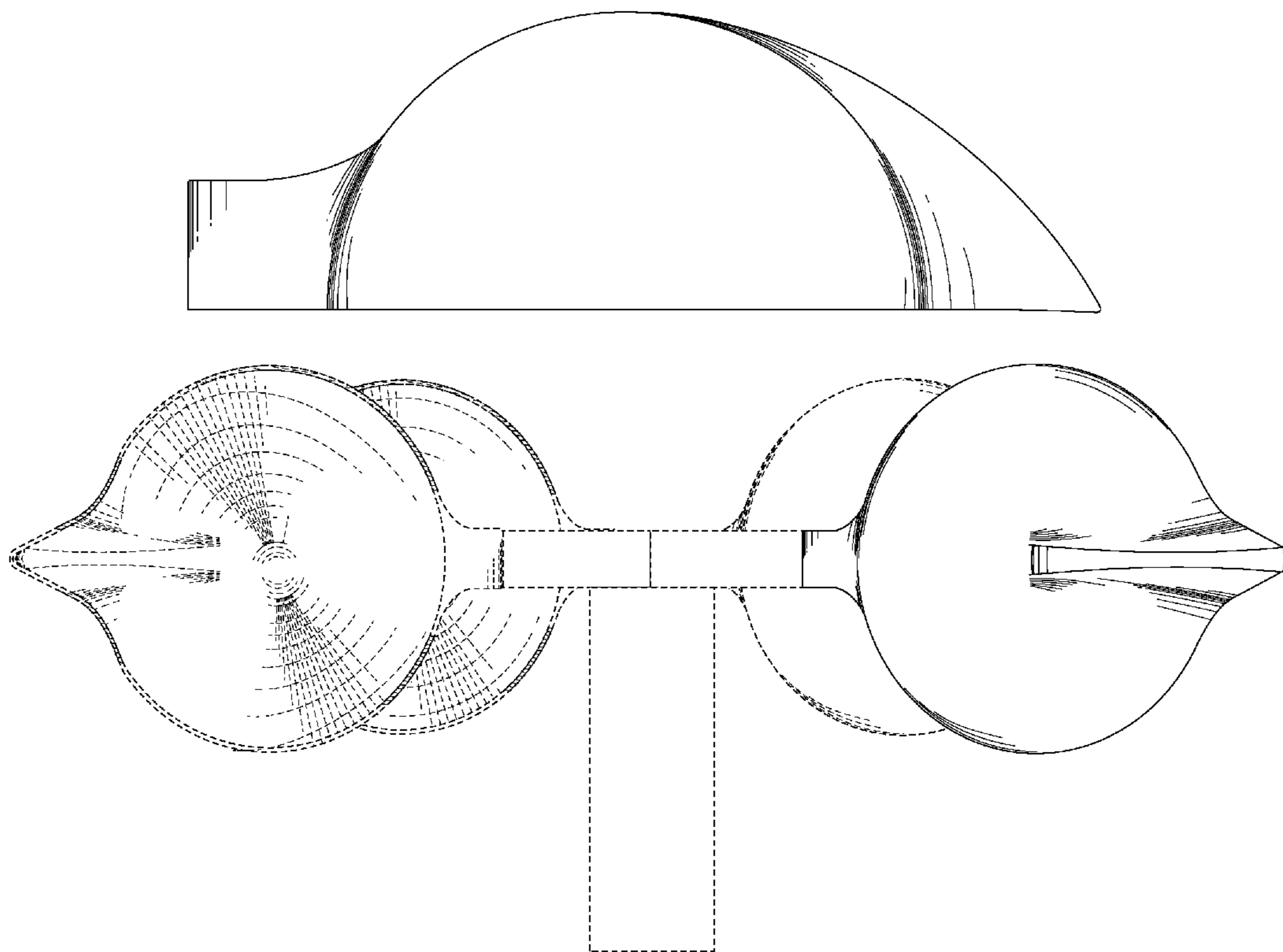
FIG. 5 is a side elevation view thereof;

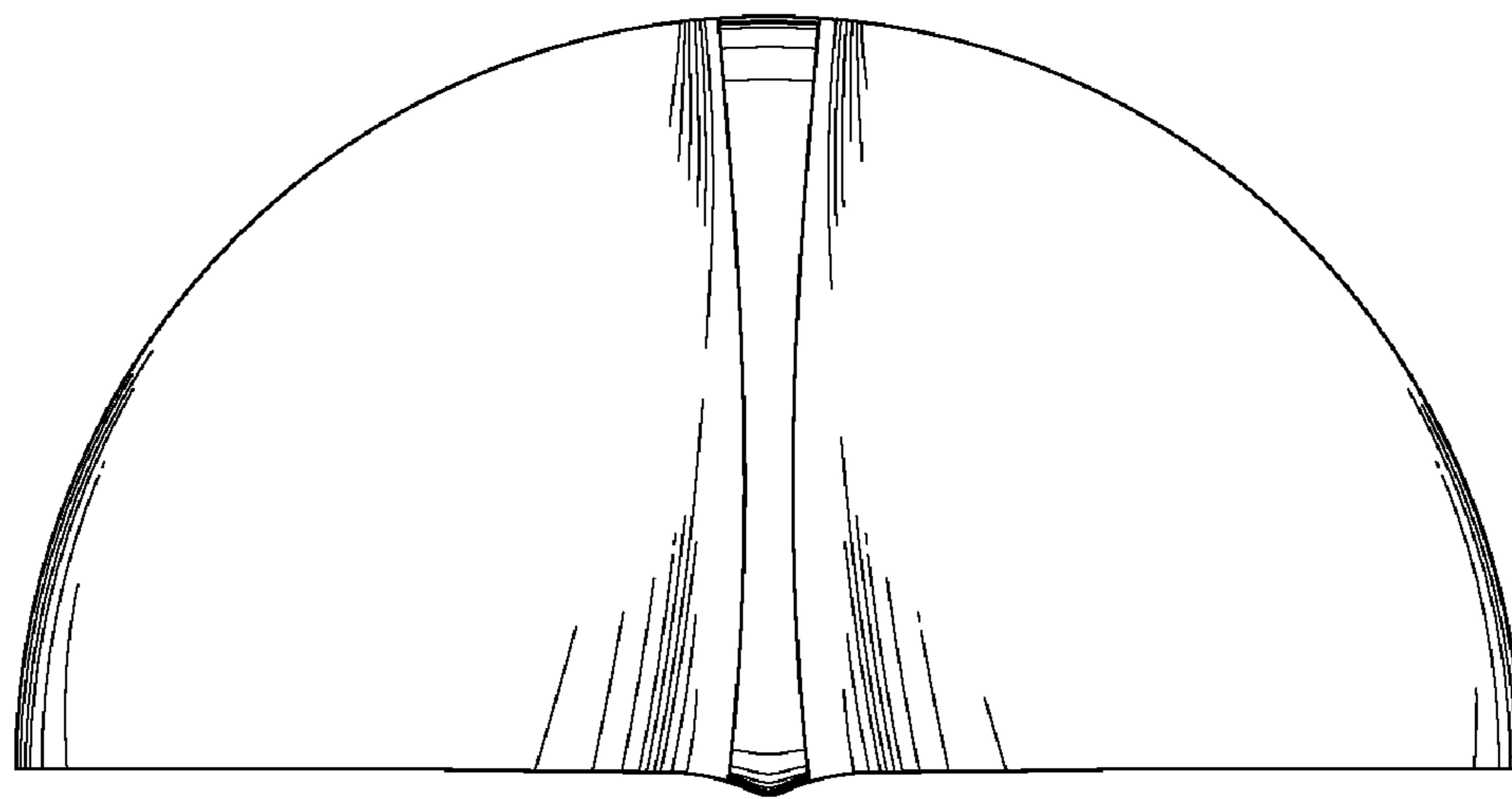
FIG. 6 is an opposite side elevation view thereof; and,

FIG. 7 is an elevation view thereof, shown in environmental use.

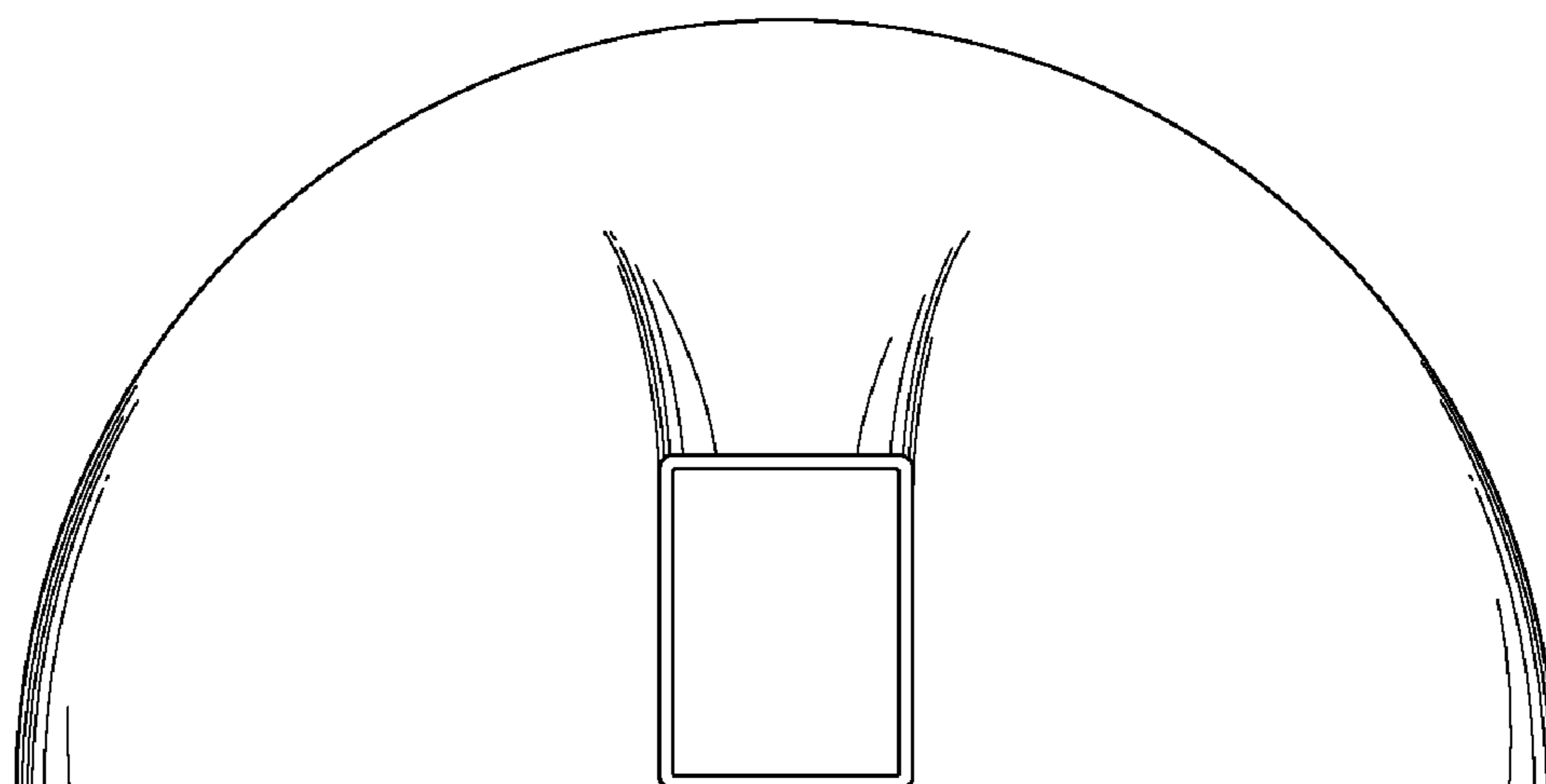
The broken lines in FIG. 7 showing an assembled wind cup generator represents unclaimed subject matter and forms no part of the claimed design.

**1 Claim, 4 Drawing Sheets**

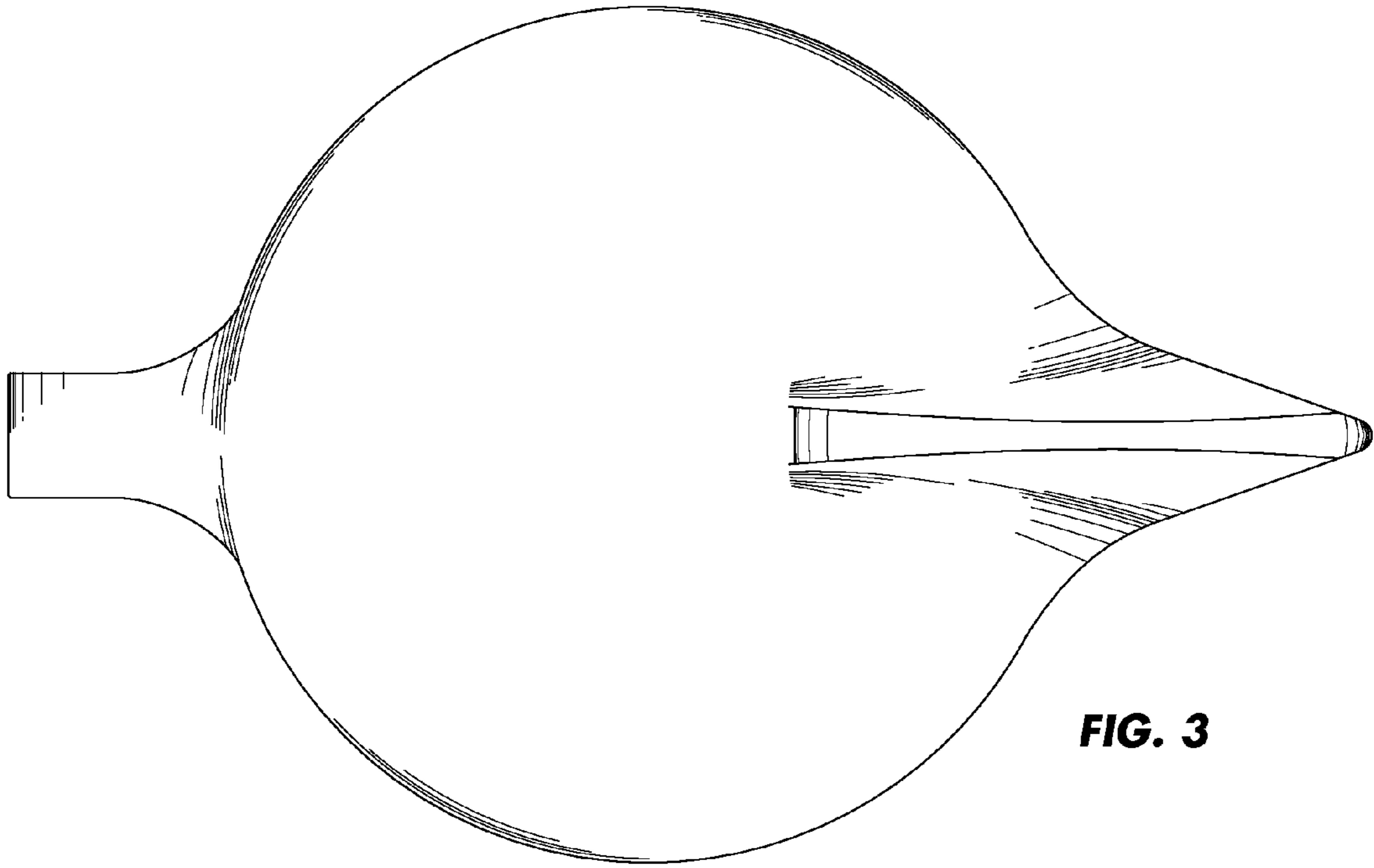




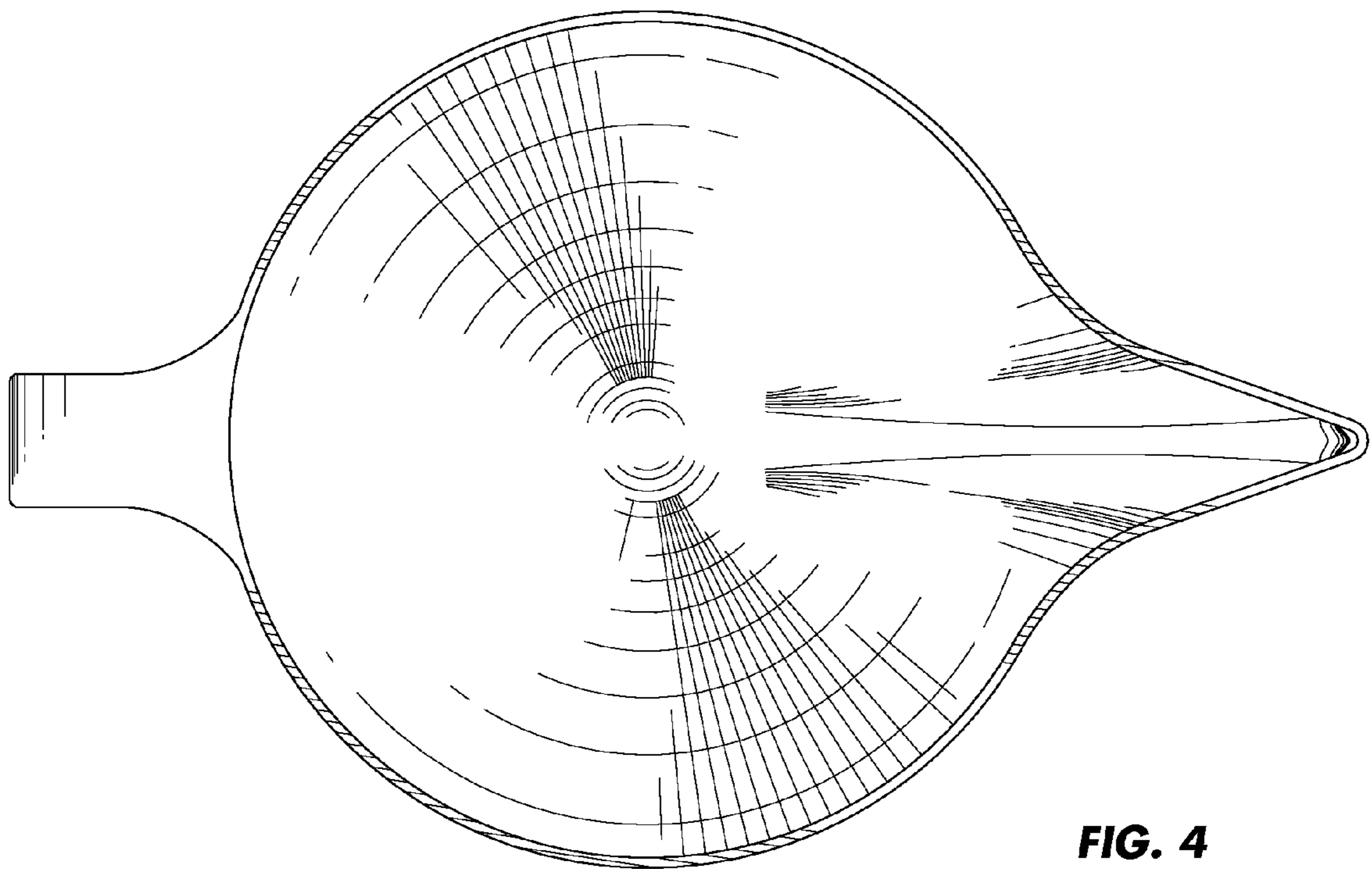
**FIG. 1**



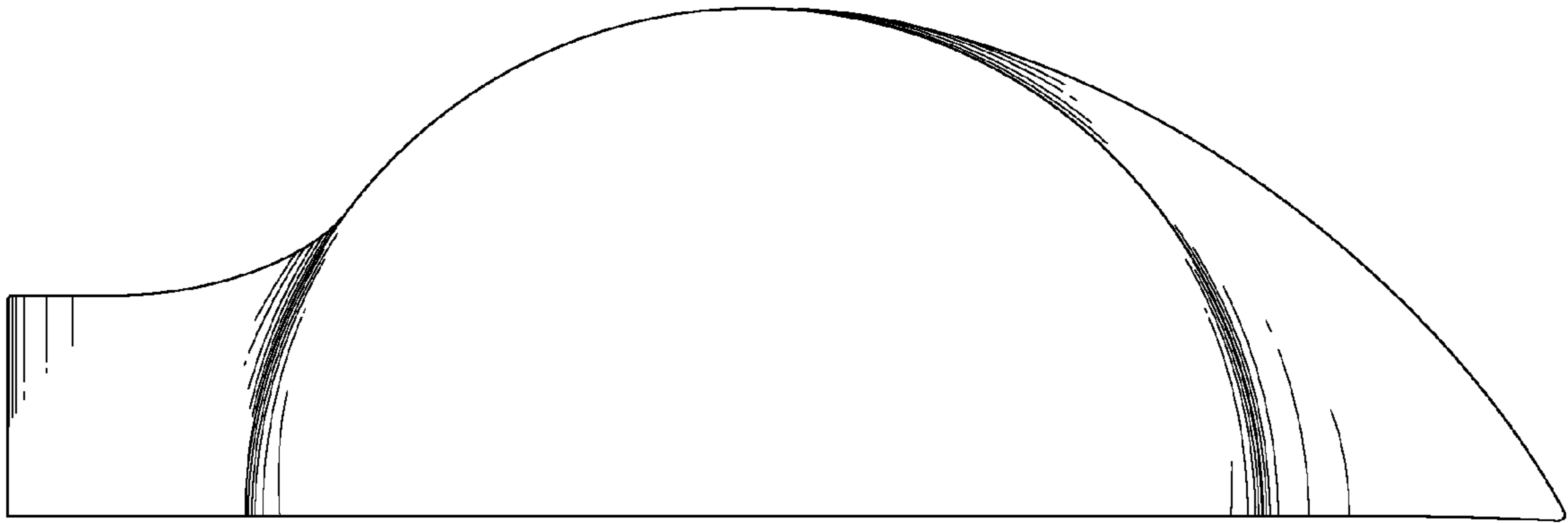
**FIG. 2**



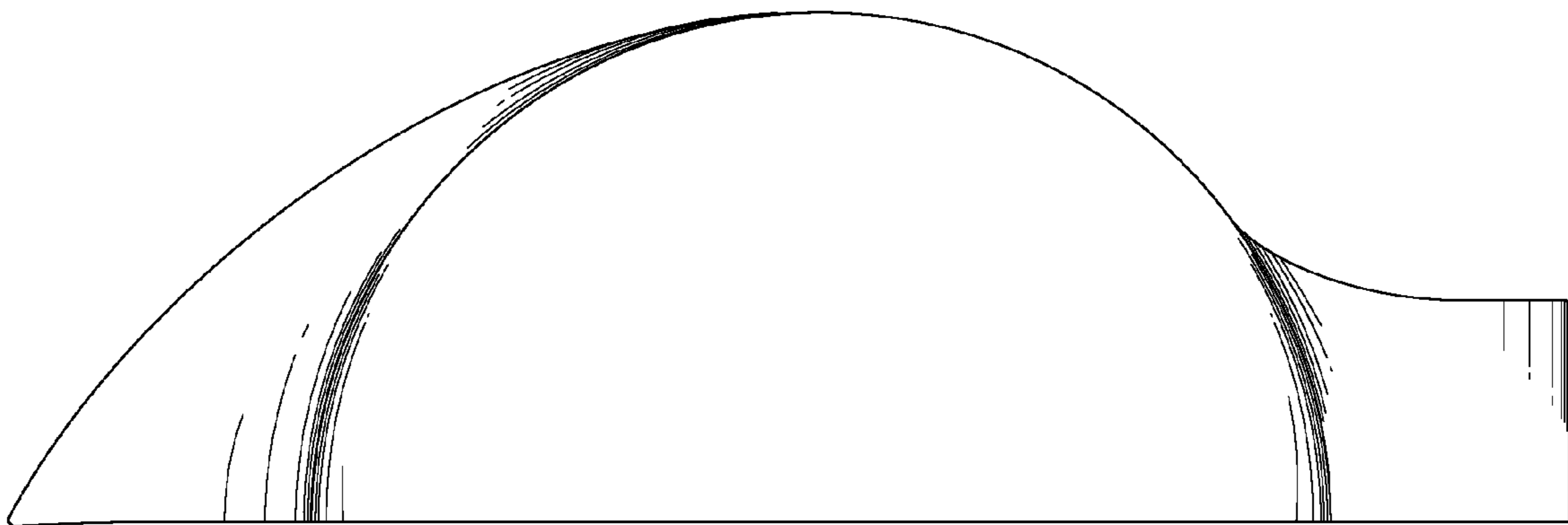
**FIG. 3**



**FIG. 4**



**FIG. 5**



**FIG. 6**

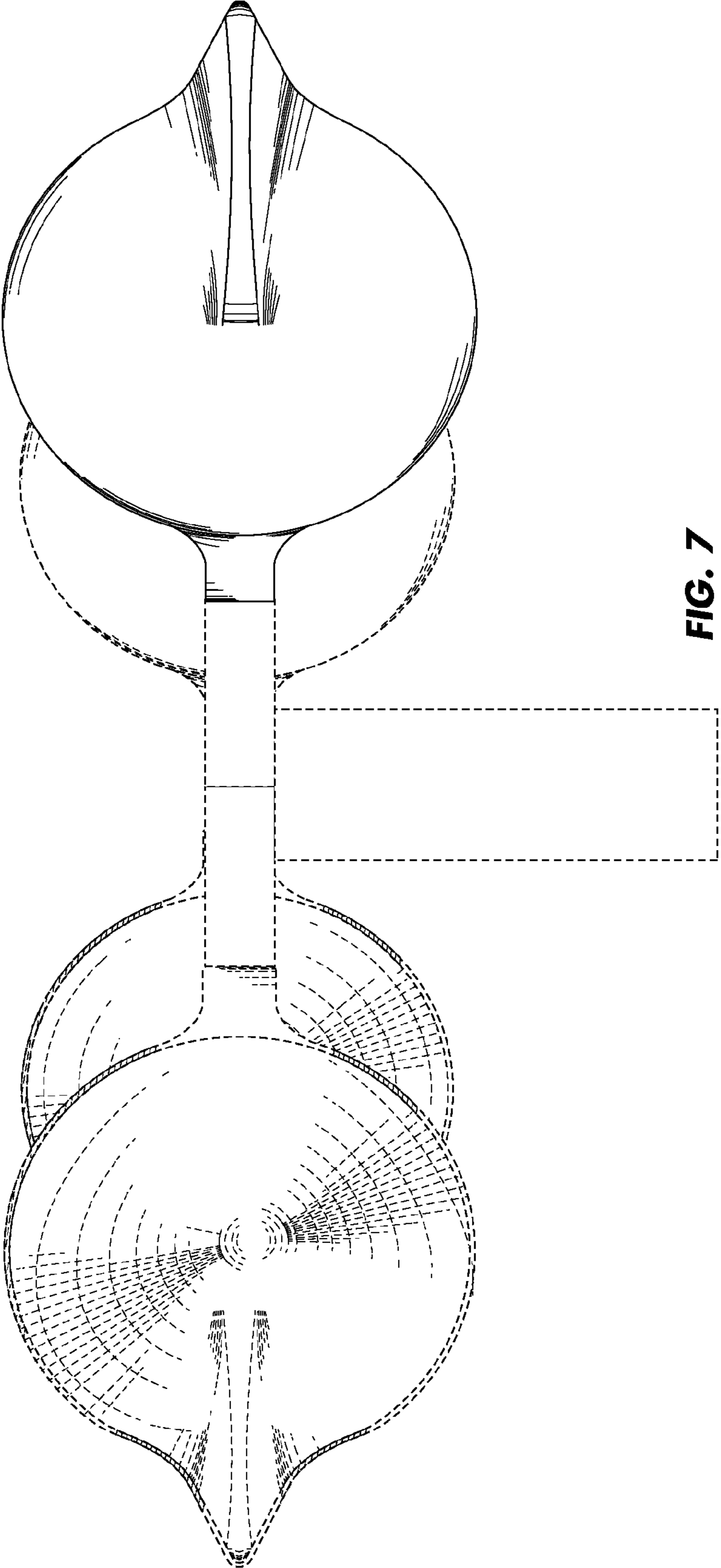


FIG. 7