



US00D642120S

(12) **United States Design Patent**
Kretschmer

(10) **Patent No.:** **US D642,120 S**
(45) **Date of Patent:** **** Jul. 26, 2011**

(54) **RECHARGEABLE BATTERY**
(75) Inventor: **Steffen Kretschmer**, Cenon sur Vienne (FR)
(73) Assignee: **Linde Material Handling GmbH** (DE)
(**) Term: **14 Years**
(21) Appl. No.: **29/367,350**
(22) Filed: **Aug. 6, 2010**

D591,230 S * 4/2009 Tasai D13/103
D592,129 S * 5/2009 Masuda et al. D13/103
D597,936 S * 8/2009 Walsh et al. D13/103
D622,213 S * 8/2010 Nomi et al. D13/103
2010/0035138 A1* 2/2010 Itoda et al. 429/100
* cited by examiner

Primary Examiner — Rosemary K Tarcza
(74) *Attorney, Agent, or Firm* — The Webb Law Firm

(30) **Foreign Application Priority Data**
Feb. 9, 2010 (EP) 001667403-0001
(51) **LOC (9) Cl.** **13-02**
(52) **U.S. Cl.** **D13/103**
(58) **Field of Classification Search** D13/102–106,
D13/110, 118–121, 184, 199; 429/96–100,
429/163, 176
See application file for complete search history.

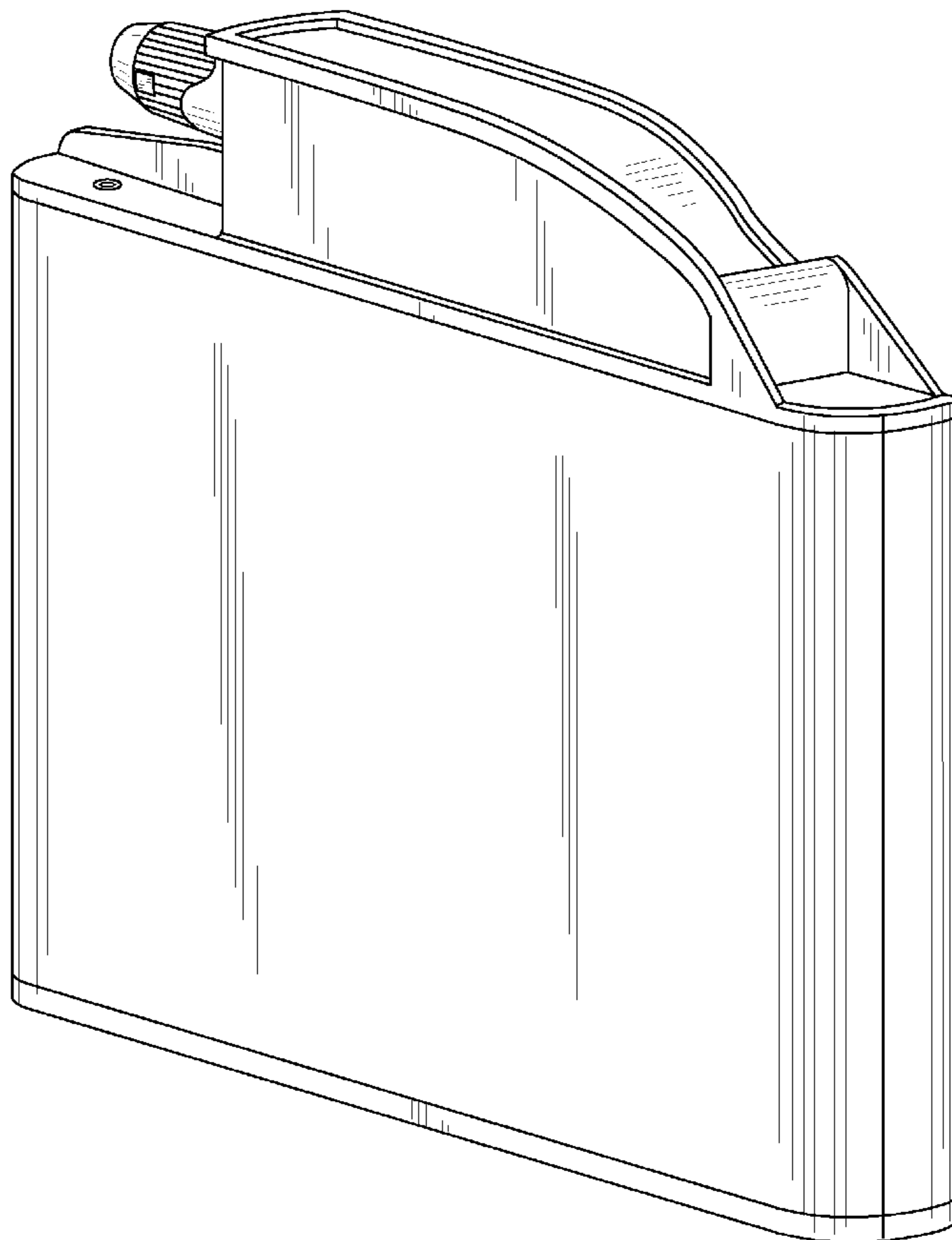
(57) **CLAIM**
The ornamental design for a rechargeable battery, as shown and described.

DESCRIPTION

FIG. 1 is a front perspective view of a rechargeable battery showing my new design;
FIG. 2 is rear perspective view thereof;
FIG. 3 is a rear view thereof,
FIG. 4 is a front view thereof;
FIG. 5 is a right side view thereof;
FIG. 6 is a left side view thereof; and,
FIG. 7 is top view thereof.
The bottom of the rechargeable battery, which is not shown in the drawings, is non-ornamental and forms no part of the claimed design.

(56) **References Cited**
U.S. PATENT DOCUMENTS
6,033,800 A * 3/2000 Ichiyangi et al. 429/176
D583,756 S * 12/2008 Walsh et al. D13/103

1 Claim, 6 Drawing Sheets



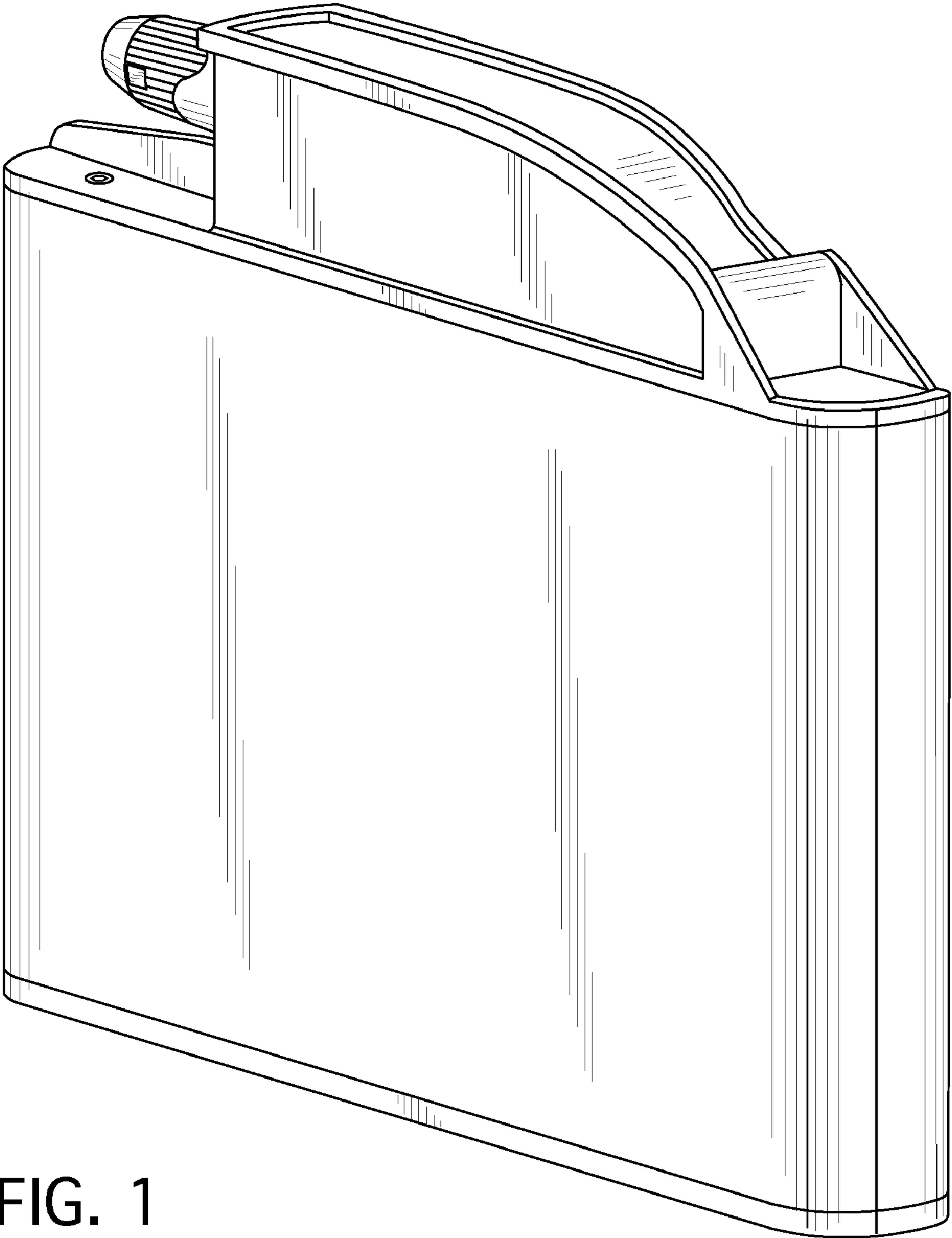


FIG. 1

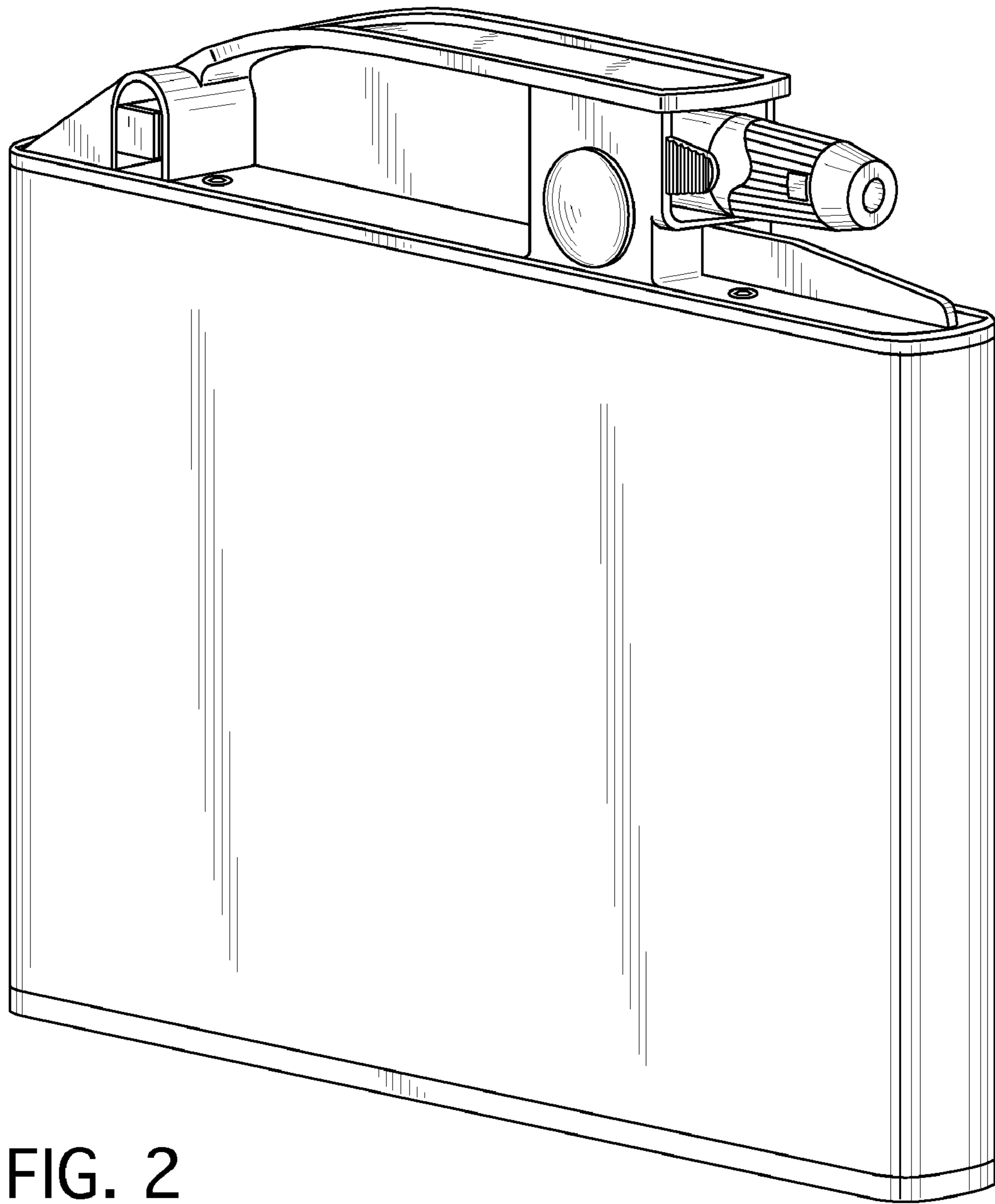


FIG. 2

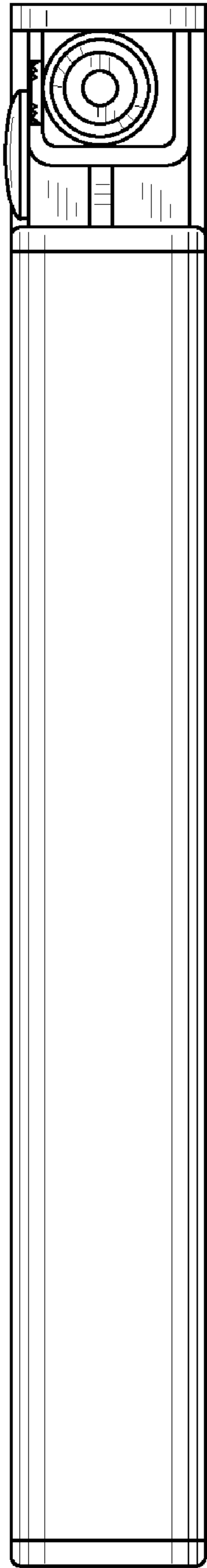


FIG. 3

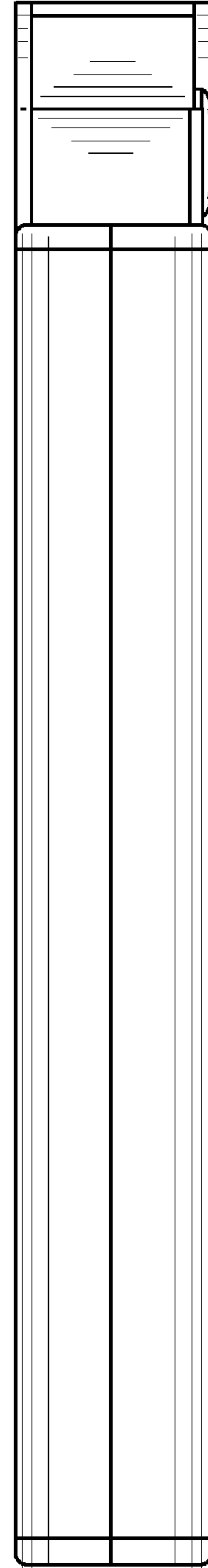


FIG. 4

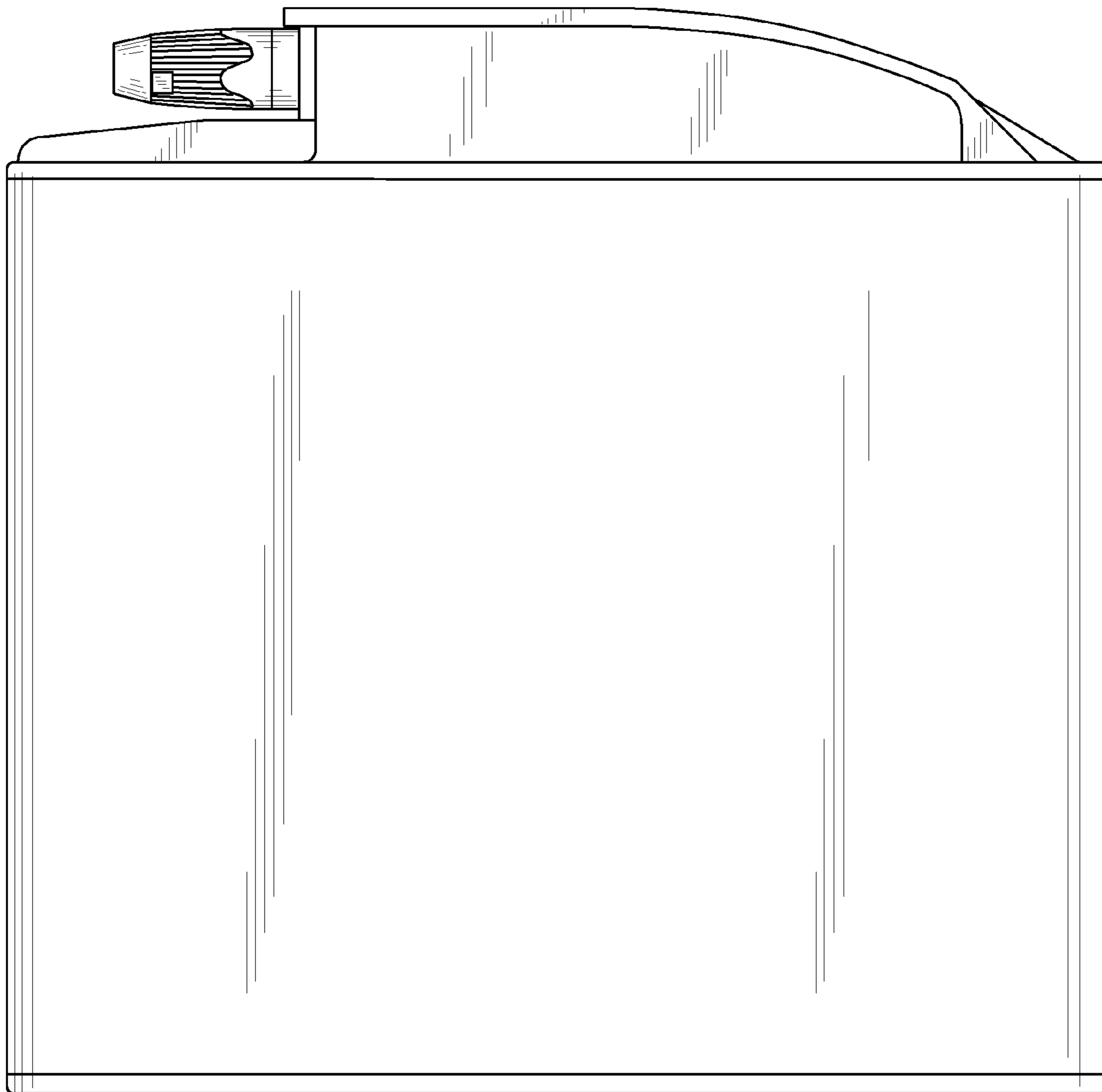


FIG. 5

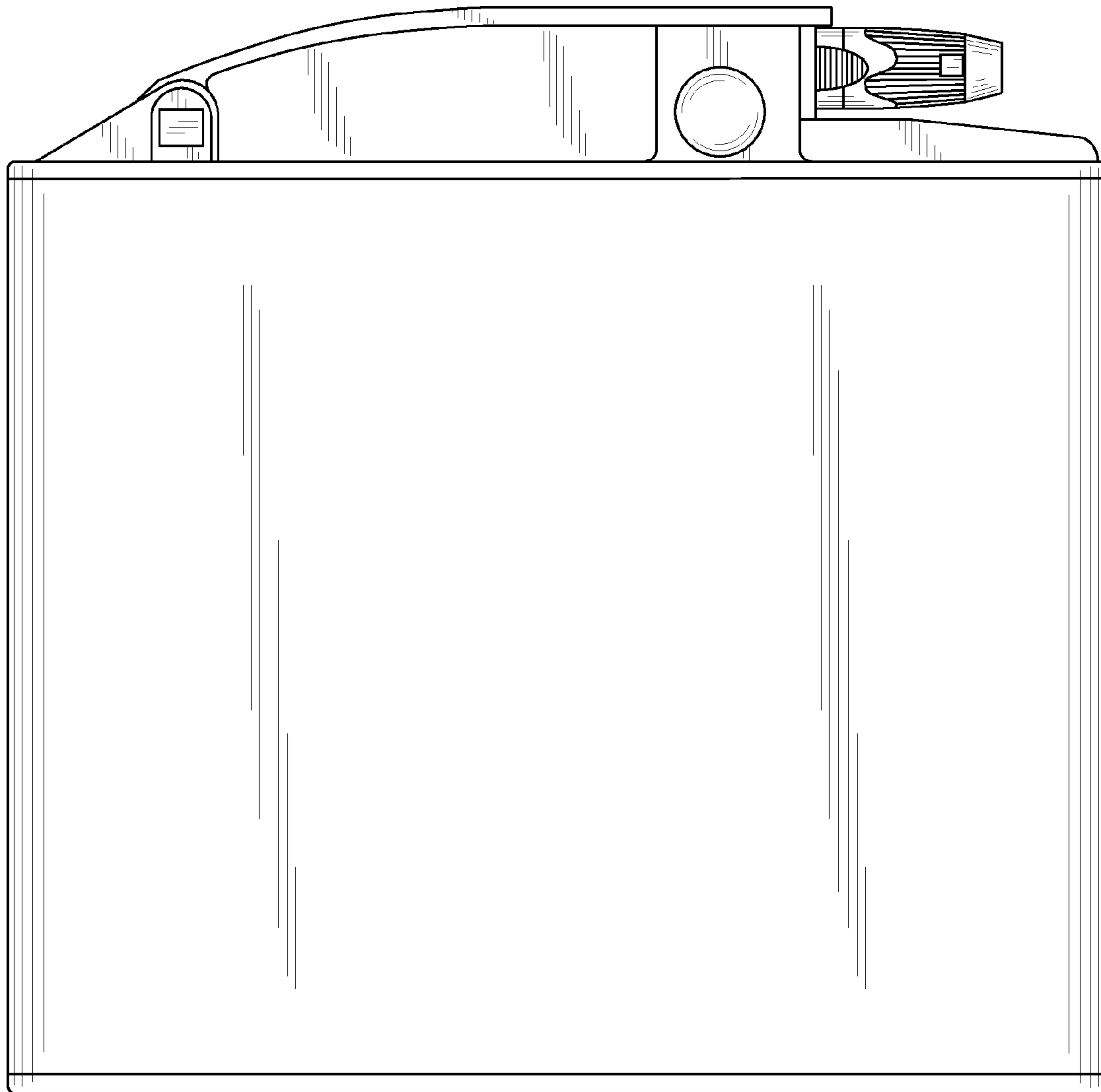


FIG. 6

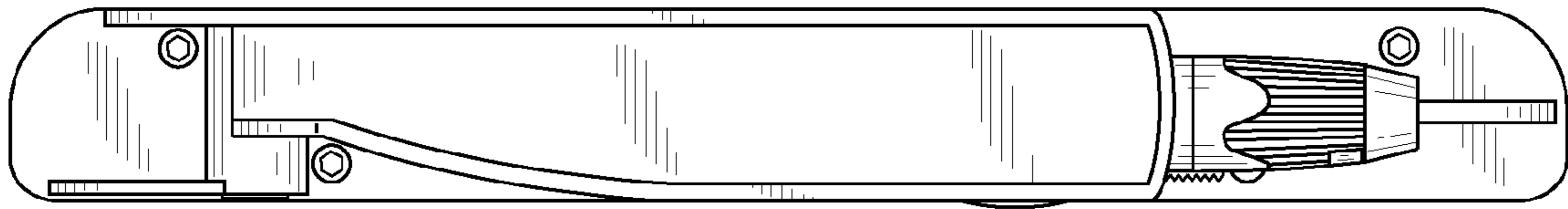


FIG. 7