



US00D642119S

(12) **United States Design Patent**  
**Baetica et al.**

(10) **Patent No.:** **US D642,119 S**

(45) **Date of Patent:** **\*\* Jul. 26, 2011**

(54) **BATTERY**

(75) Inventors: **Florin Baetica**, Ottawa (CA); **Richard Rosa**, Kingston (CA); **Patrick Wade Mooney**, Brockville (CA)

(73) Assignee: **Black & Decker, Inc.**, Newark, DE (US)

(\*\*) Term: **14 Years**

(21) Appl. No.: **29/361,418**

(22) Filed: **May 11, 2010**

(51) **LOC (9) Cl.** ..... **13-02**

(52) **U.S. Cl.** ..... **D13/103**

(58) **Field of Classification Search** ..... D13/102-106,  
D13/110, 118-121, 184, 199; 429/96-100,  
429/163, 176, 187

See application file for complete search history.

(56) **References Cited**

**U.S. PATENT DOCUMENTS**

D300,132 S *	3/1989	Culbertson et al.	.....	D13/103
D301,228 S *	5/1989	Culbertson et al.	.....	D13/103
D320,379 S *	10/1991	Culbertson	.....	D13/103
D320,974 S *	10/1991	Culbertson	.....	D13/103
D321,680 S *	11/1991	Blount et al.	.....	D13/103

D387,329 S *	12/1997	Jung et al.	.....	D13/119
D499,070 S *	11/2004	Lavington	.....	D13/119
D604,235 S *	11/2009	Tarter	.....	D13/103
D614,125 S *	4/2010	Tinius	.....	D13/103

\* cited by examiner

*Primary Examiner* — Rosemary K Tarcza

(74) *Attorney, Agent, or Firm* — John Yun; Bruce S. Shapiro; Stephen Valancius

(57) **CLAIM**

The ornamental design for a battery, as shown and described.

**DESCRIPTION**

FIG. 1 is a front perspective view of a battery showing the new design.

FIG. 2 is a rear perspective view thereof.

FIG. 3 is a right side view thereof.

FIG. 4 is a left side view thereof.

FIG. 5 is a rear view thereof.

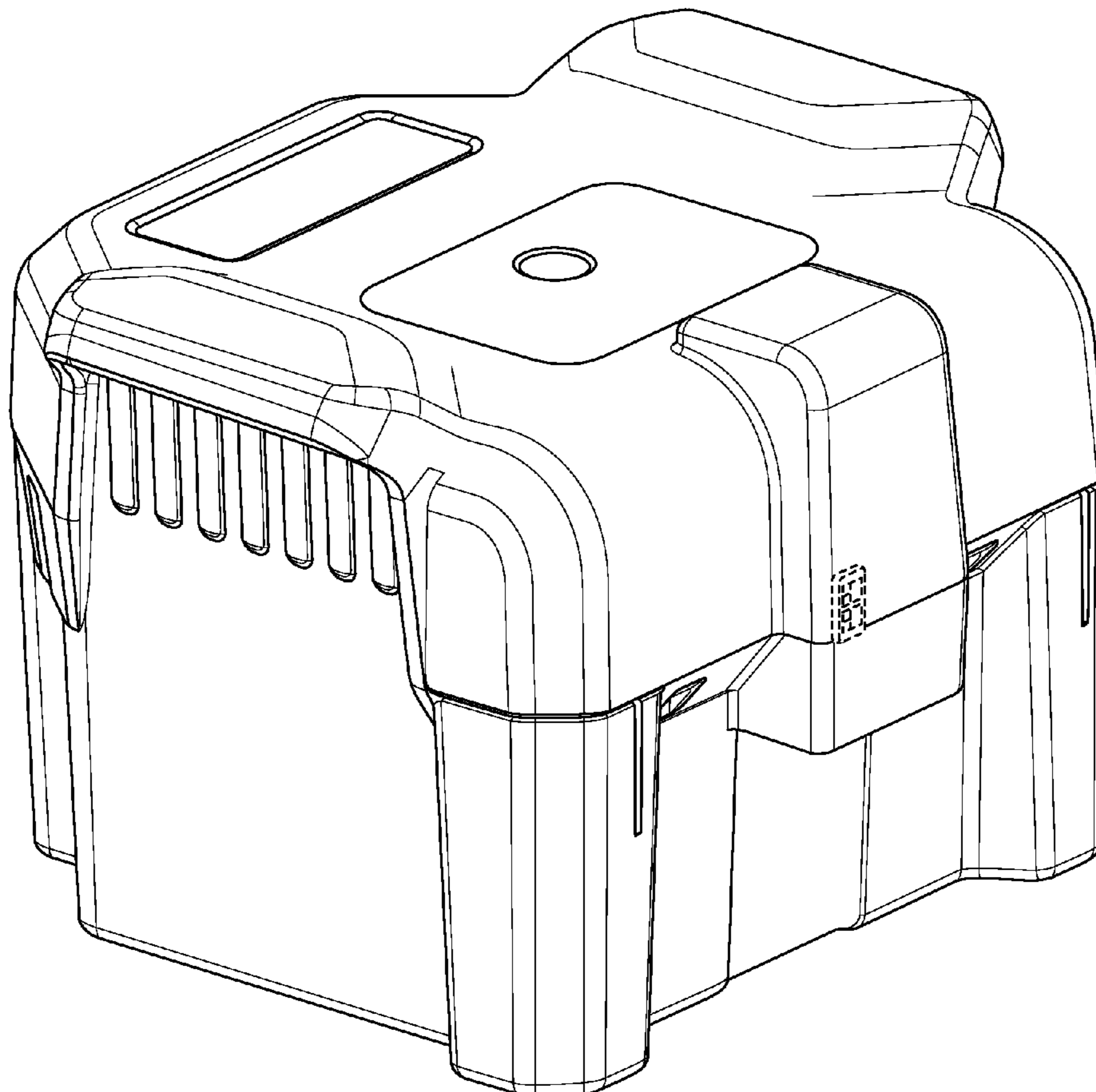
FIG. 6 is a front view thereof

FIG. 7 is a top view thereof; and,

FIG. 8 is a bottom view thereof.

In the above drawings the broken lines and the areas within the broken lines form no part of the claimed design.

**1 Claim, 8 Drawing Sheets**



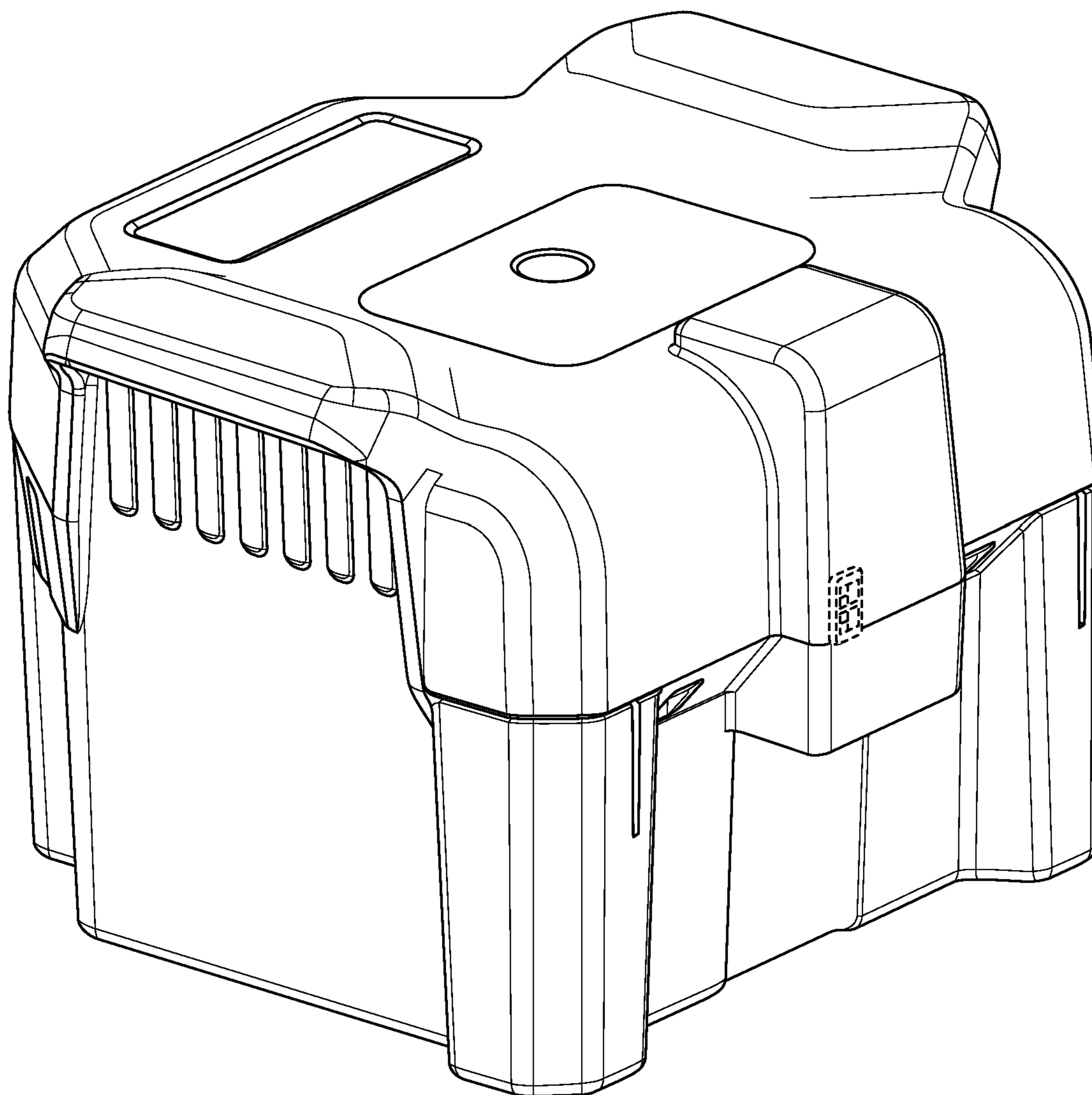


FIG. 1

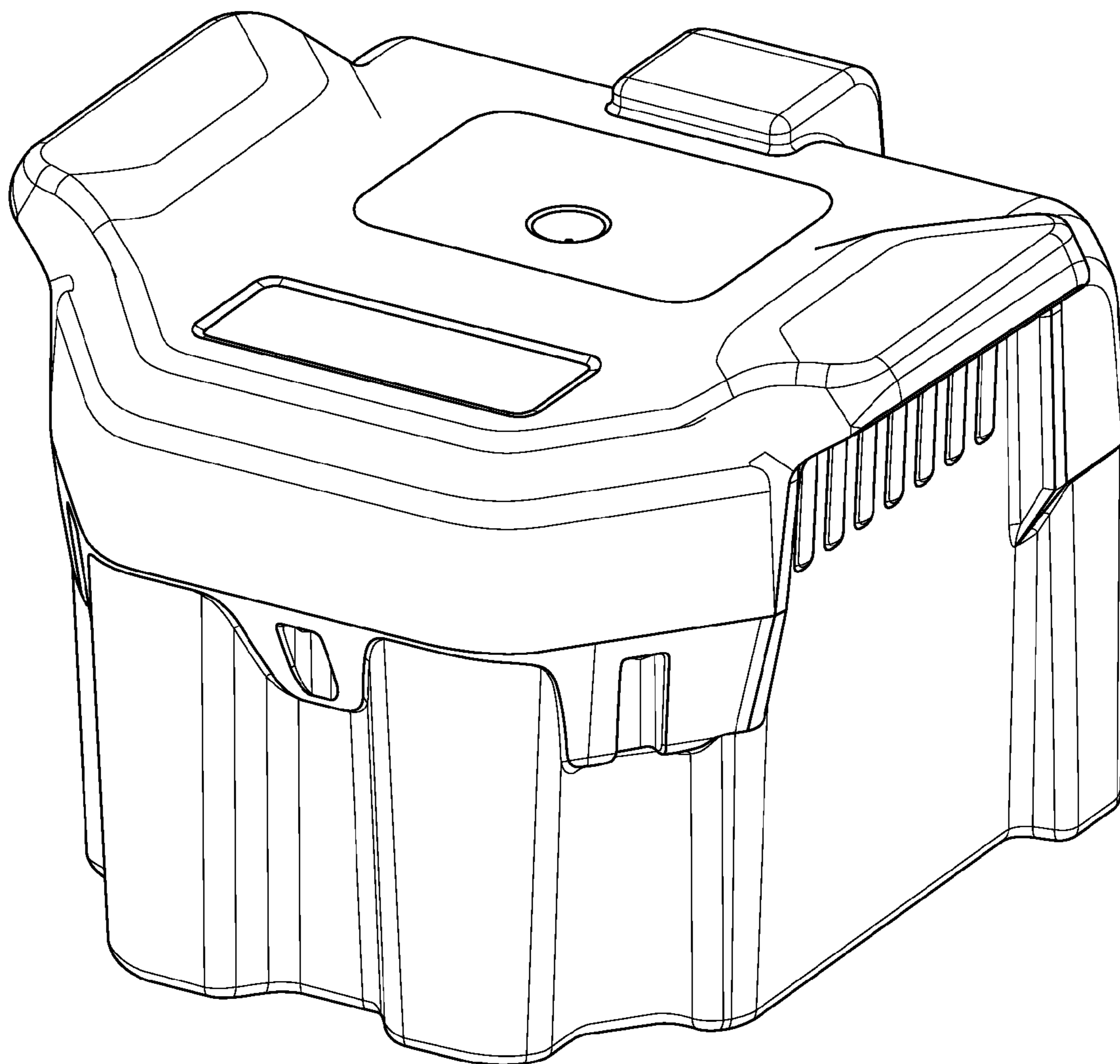


FIG. 2

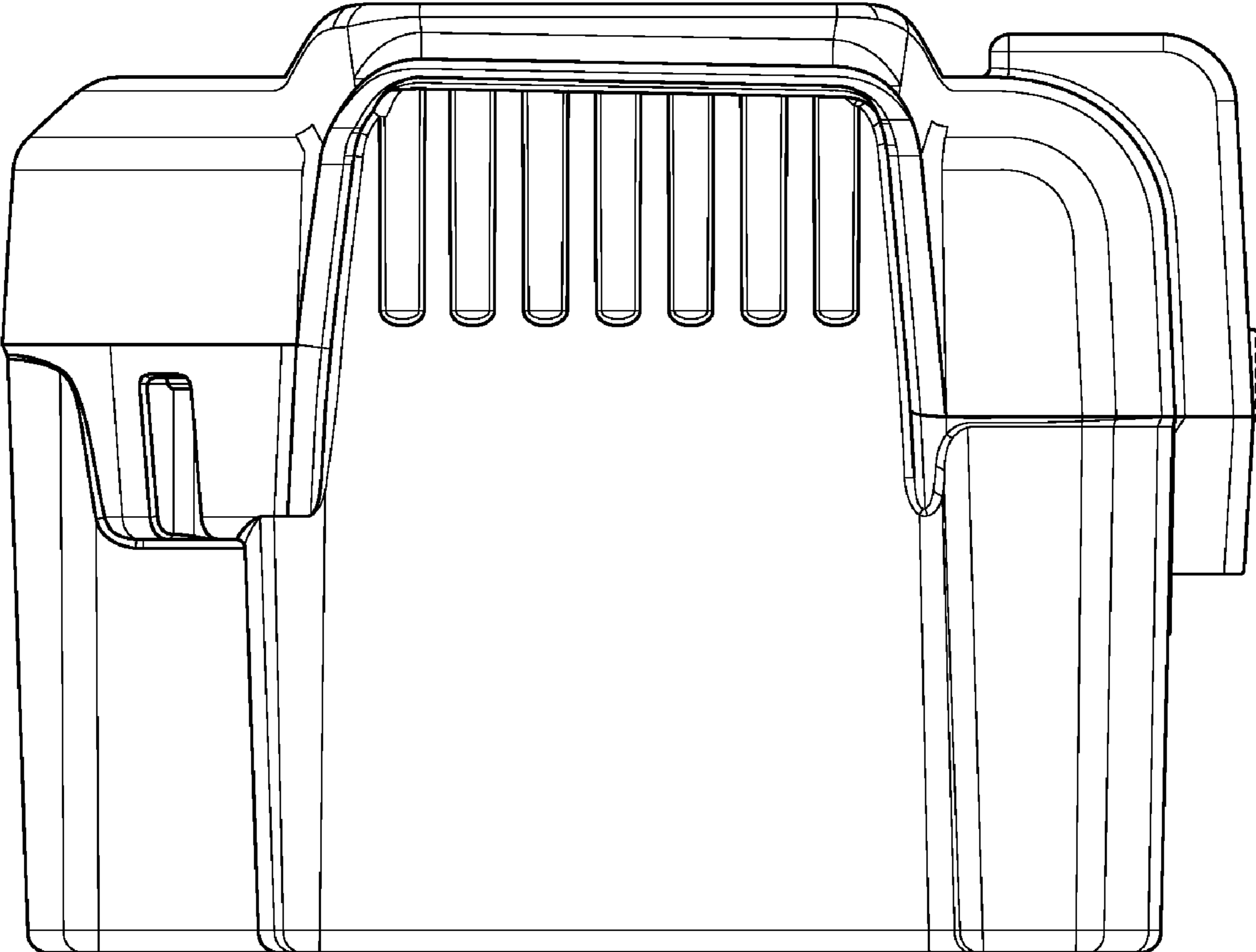


FIG. 3

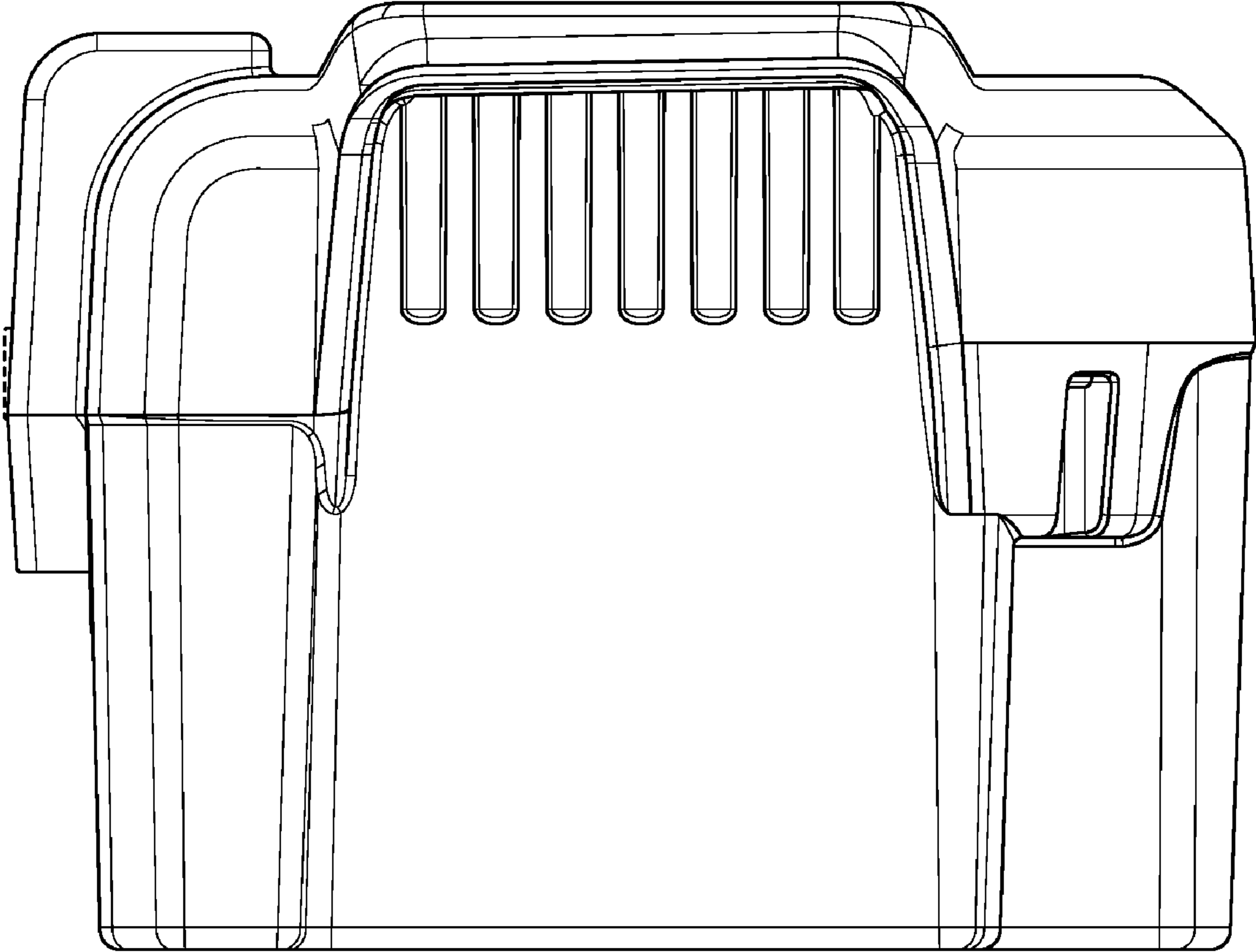


FIG. 4

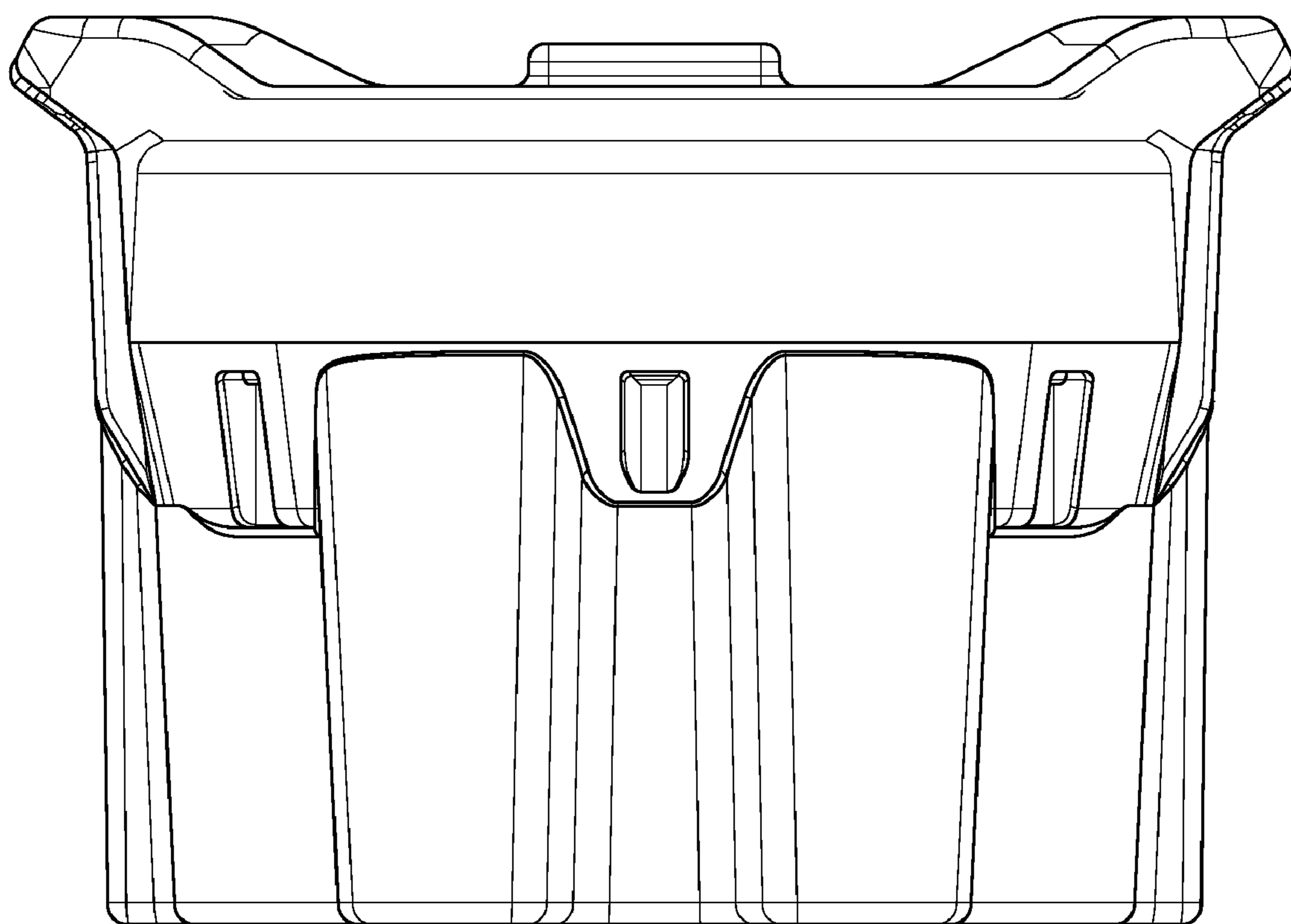


FIG. 5

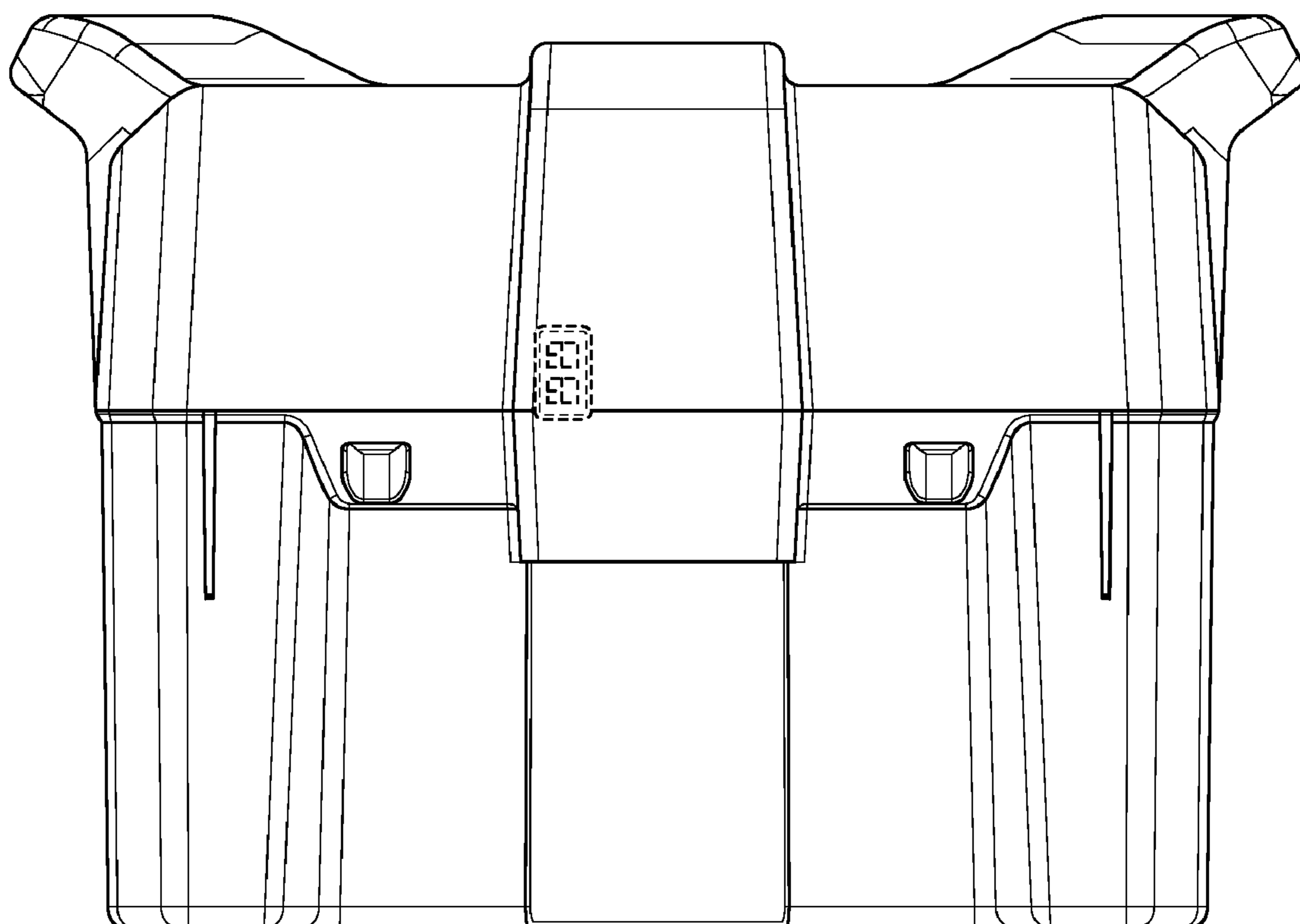


FIG. 6



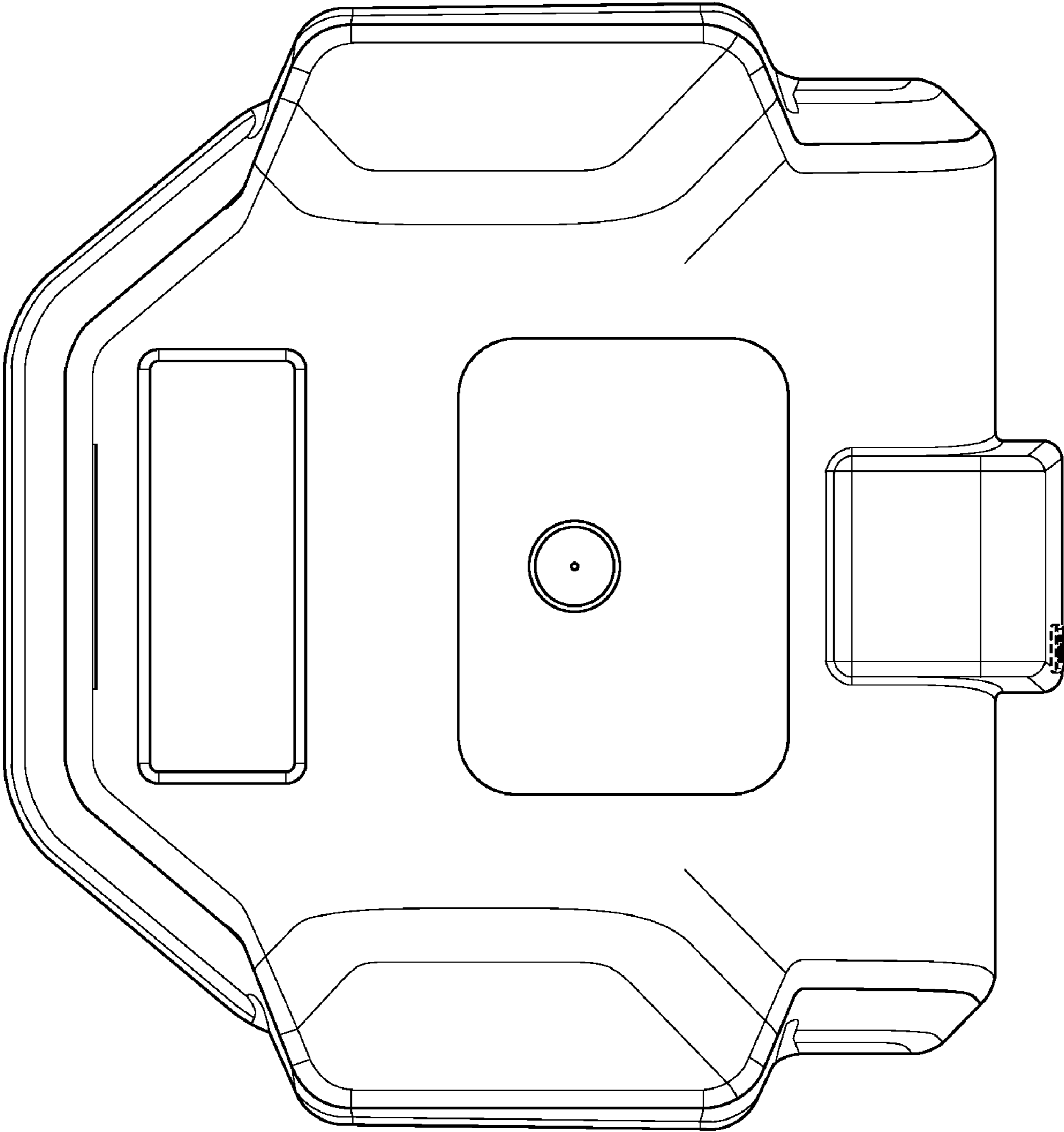


FIG. 7



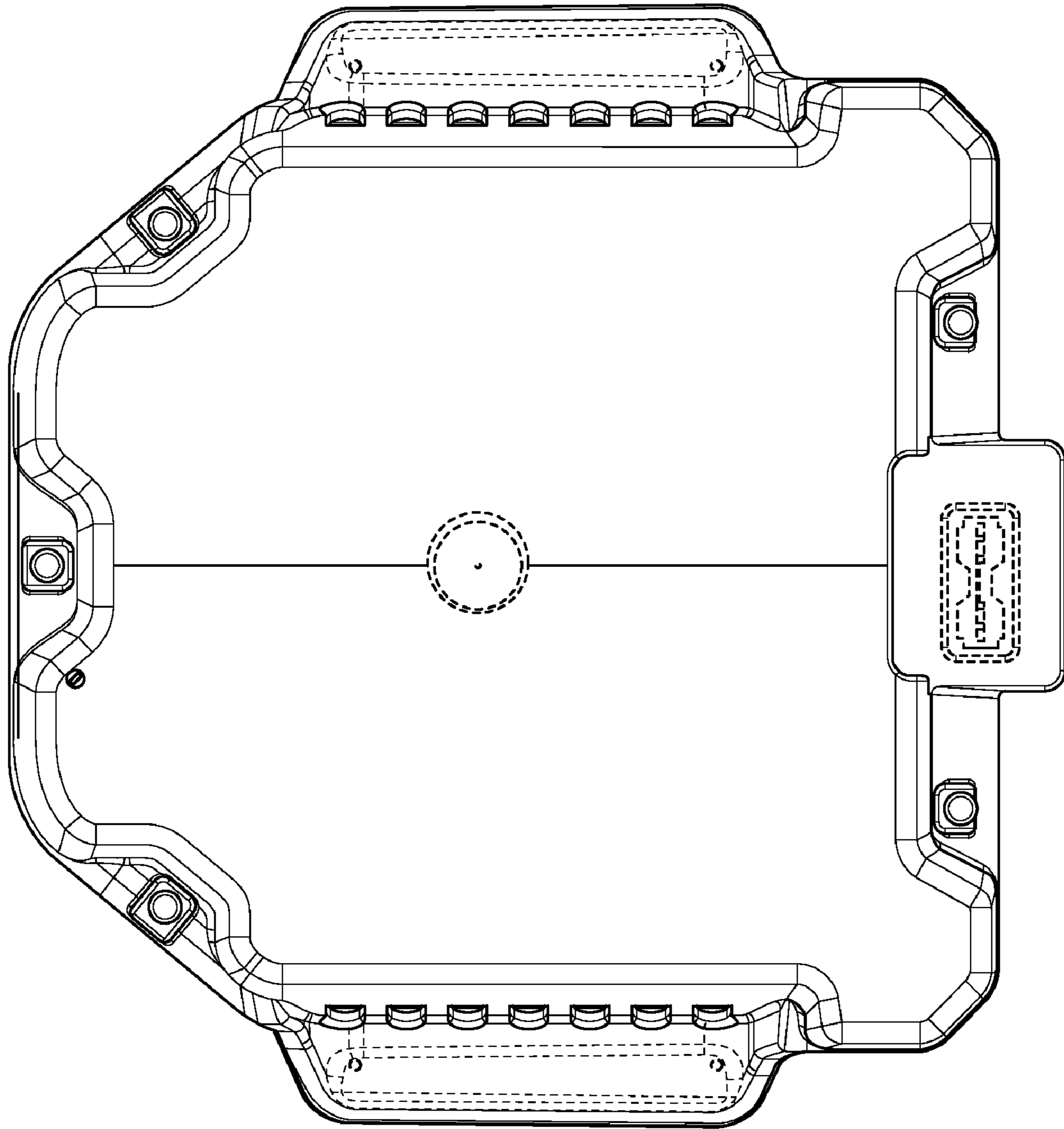


FIG. 8