



US00D642113S

(12) **United States Design Patent**
Farber

(10) **Patent No.:** **US D642,113 S**

(45) **Date of Patent:** **** *Jul. 26, 2011**

(54) **VEHICLE MOUNTED SKI CARRIER**

(75) Inventor: **Robert Farber**, Montreal (CA)

(73) Assignee: **Swiss Cargo Industries S.A. Inc.**, St. Jean, Quebec (CA)

(*) Notice: This patent is subject to a terminal disclaimer.

(**) Term: **14 Years**

(21) Appl. No.: **29/369,307**

(22) Filed: **Sep. 7, 2010**

Related U.S. Application Data

(63) Continuation-in-part of application No. 29/352,922, filed on Dec. 29, 2009, now Pat. No. Des. 628,949.

(51) **LOC (9) Cl.** **12-16**

(52) **U.S. Cl.** **D12/414**

(58) **Field of Classification Search** D12/414, D12/406, 412, 414.1; 293/37.1, 3, 100; 224/309-310, 315-316, 323-329, 400; D6/552, D6/317-319, 513-514; D3/304-306; 280/760-762, 280/848, 727, 769; 296/99.1, 37.1, 100.01, 296/100.02, 157; 206/213, 8, 9, 279, 290, 206/713, 335, 315.1-315.4; D32/35, 58

See application file for complete search history.

(56) **References Cited**

U.S. PATENT DOCUMENTS

2,772,824	A	12/1956	Binding	
3,601,294	A	8/1971	Gjesdahl	
3,719,297	A	3/1973	Nowicki	
3,848,785	A	11/1974	Bott	
D235,759	S	7/1975	Parsons	
4,312,467	A	1/1982	Kulwin	
4,438,878	A	3/1984	Heslop	
D282,060	S	* 1/1986	DiAntoni D12/412

4,720,031	A	1/1988	Zimmerman	
4,728,019	A	3/1988	Olliges	
D300,914	S	5/1989	Arvidsson	
D302,000	S	* 7/1989	Arvidsson D12/412
4,867,362	A	9/1989	Finnegan	
4,930,671	A	* 6/1990	Tittel 224/319
5,119,980	A	* 6/1992	Grim et al. 224/315
D332,243	S	1/1993	Cullins	
D335,479	S	5/1993	Yamamoto	
D340,020	S	10/1993	Yamamoto	
D348,034	S	6/1994	Mann	
5,456,397	A	10/1995	Pedrini	
D415,096	S	* 10/1999	Englander et al. D12/406
D555,573	S	* 11/2007	Kemery et al. D12/412
D566,034	S	* 4/2008	Davis et al. D12/408
D604,687	S	* 11/2009	Malik D12/414
2005/0035623	A1	* 2/2005	Martinson 296/100.13
2006/0232095	A1	* 10/2006	Sedighzadeh 296/98
2009/0243331	A1	* 10/2009	Spencer et al. 296/100.01

* cited by examiner

Primary Examiner — Caron D Veynar

Assistant Examiner — Katrina A Kile

(74) *Attorney, Agent, or Firm* — Husch Blackwell LLP

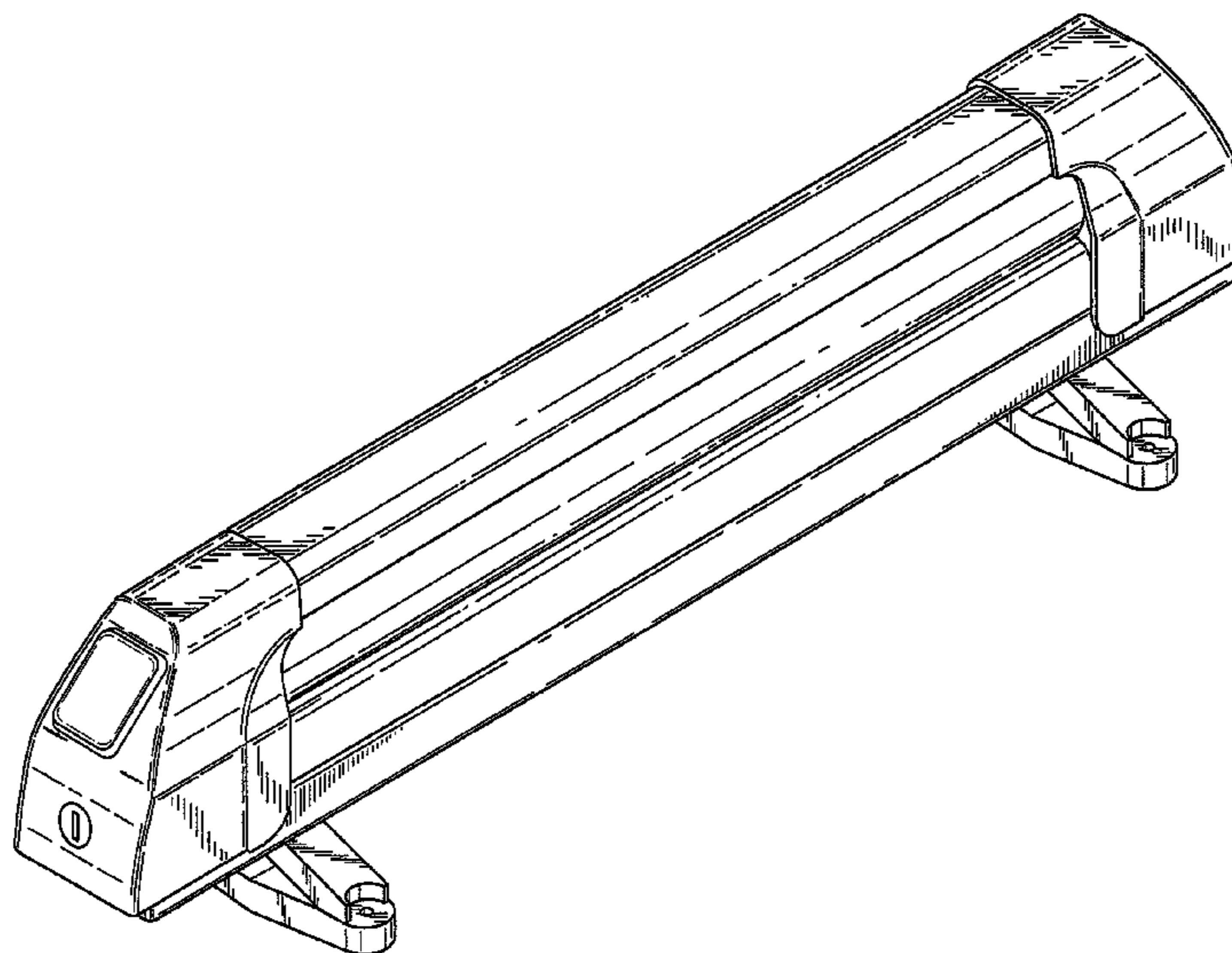
(57) **CLAIM**

The ornamental design for a vehicle mounted ski carrier, as shown and described.

DESCRIPTION

FIG. 1 is a perspective view of the vehicle mounted ski carrier in a closed position;
FIG. 2 is a first side elevational view thereof;
FIG. 3 is a second side elevational view thereof;
FIG. 4 is a top plan view thereof;
FIG. 5 is a bottom plan view thereof;
FIG. 6 is a front elevational view thereof;
FIG. 7 is a rear elevational view thereof; and,
FIG. 8 is a perspective view of the vehicle mounted ski carrier shown in FIG. 1 in an open position.

1 Claim, 5 Drawing Sheets



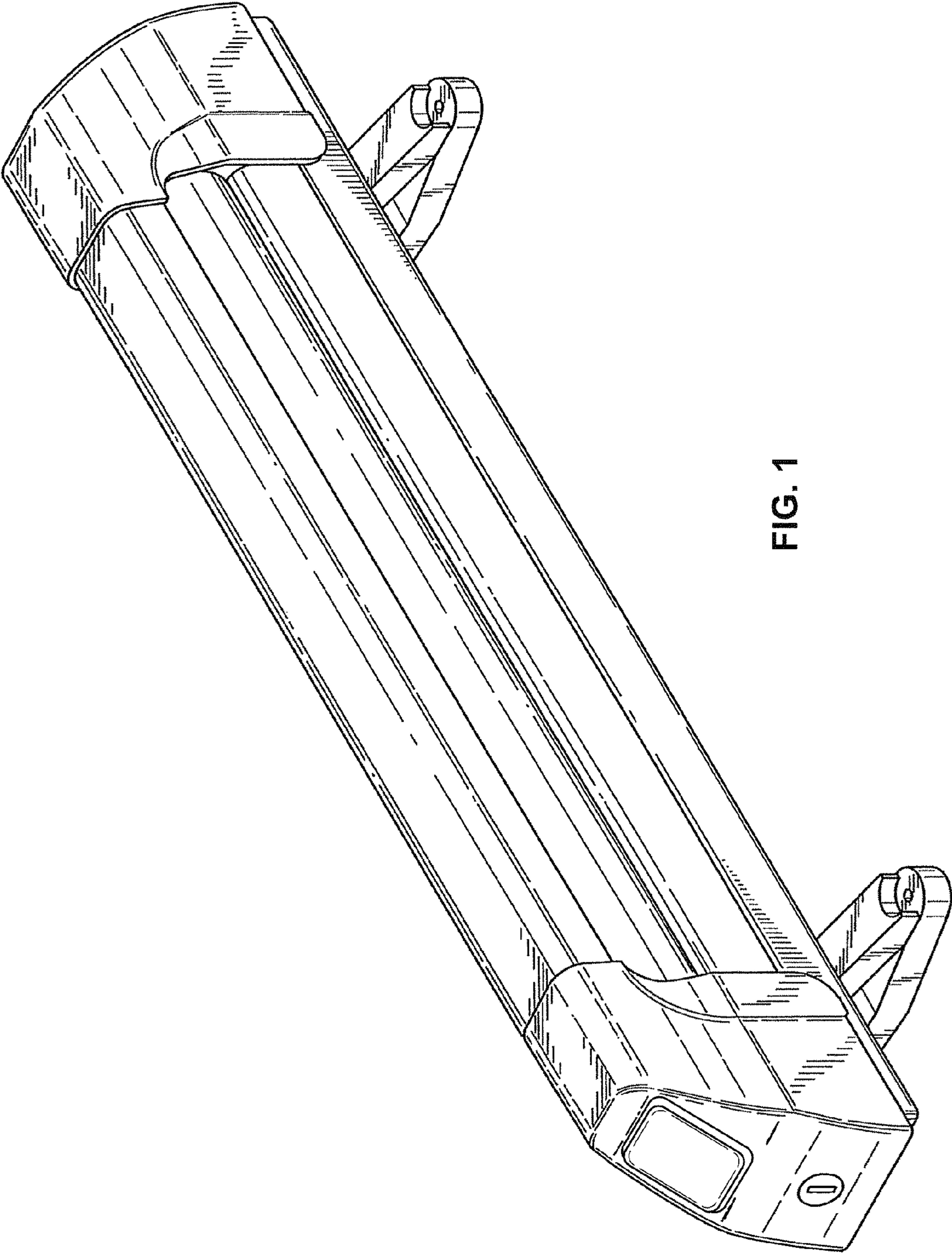


FIG. 1

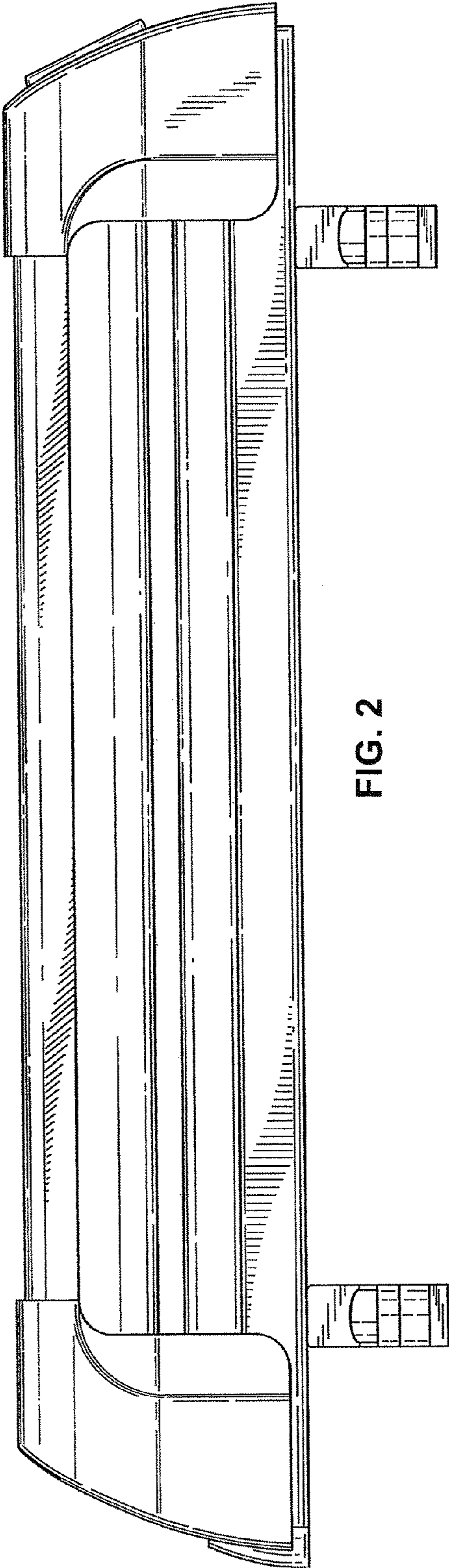


FIG. 2

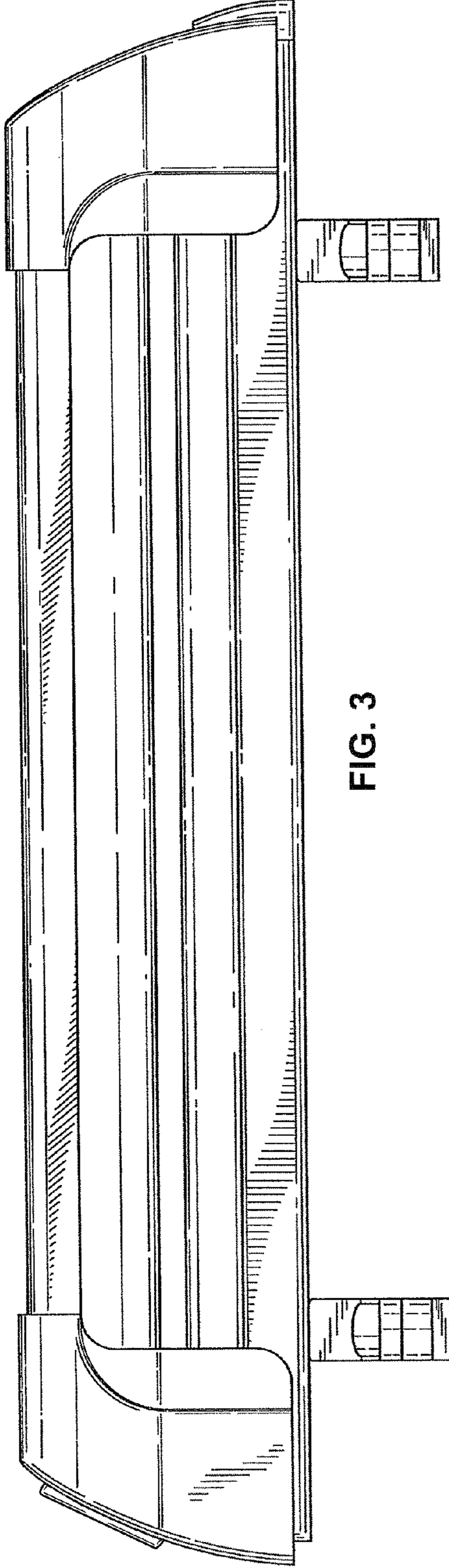


FIG. 3

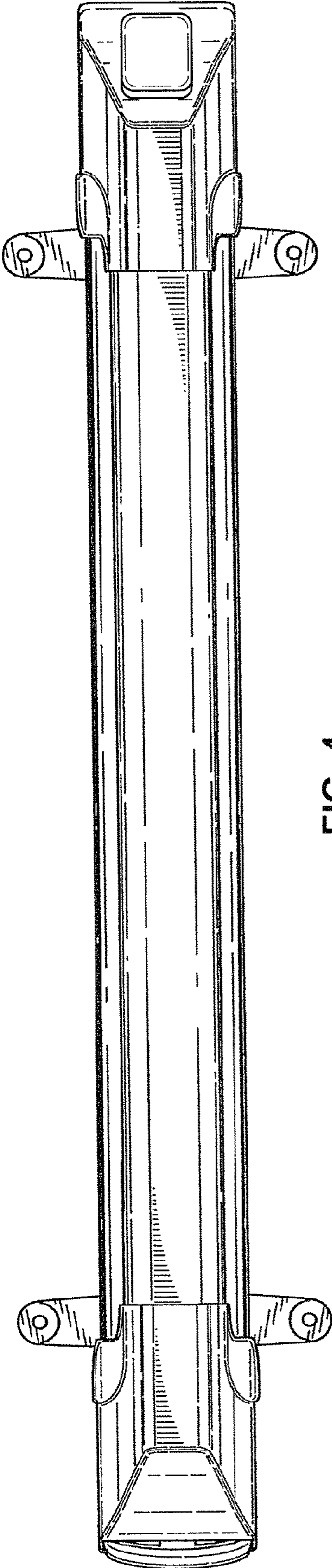


FIG. 4

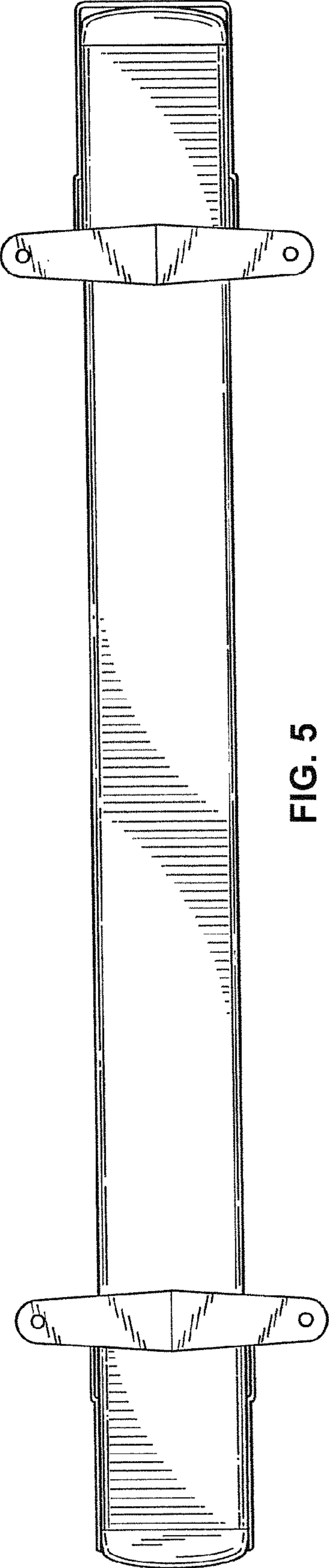


FIG. 5

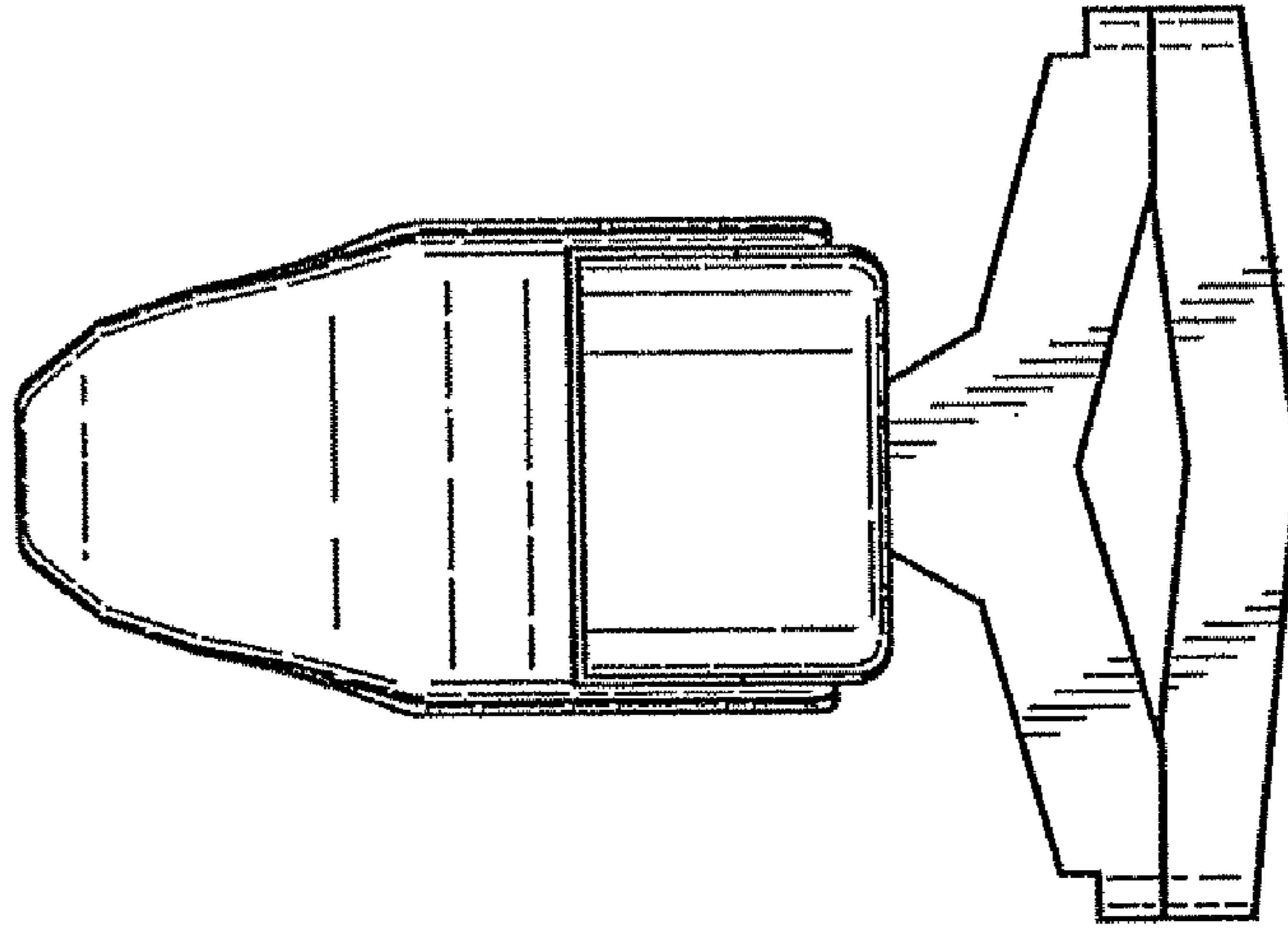


FIG. 7

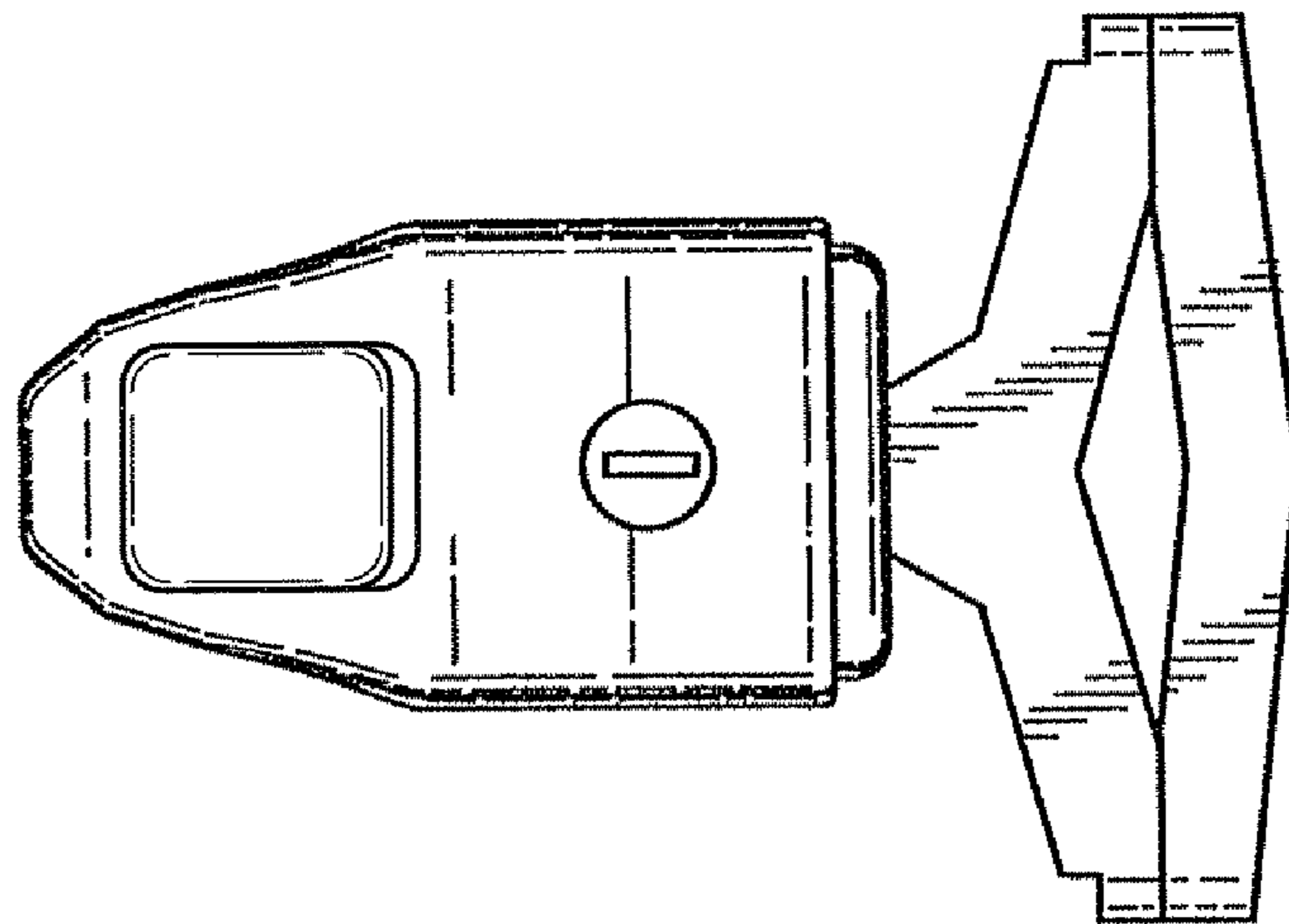


FIG. 6

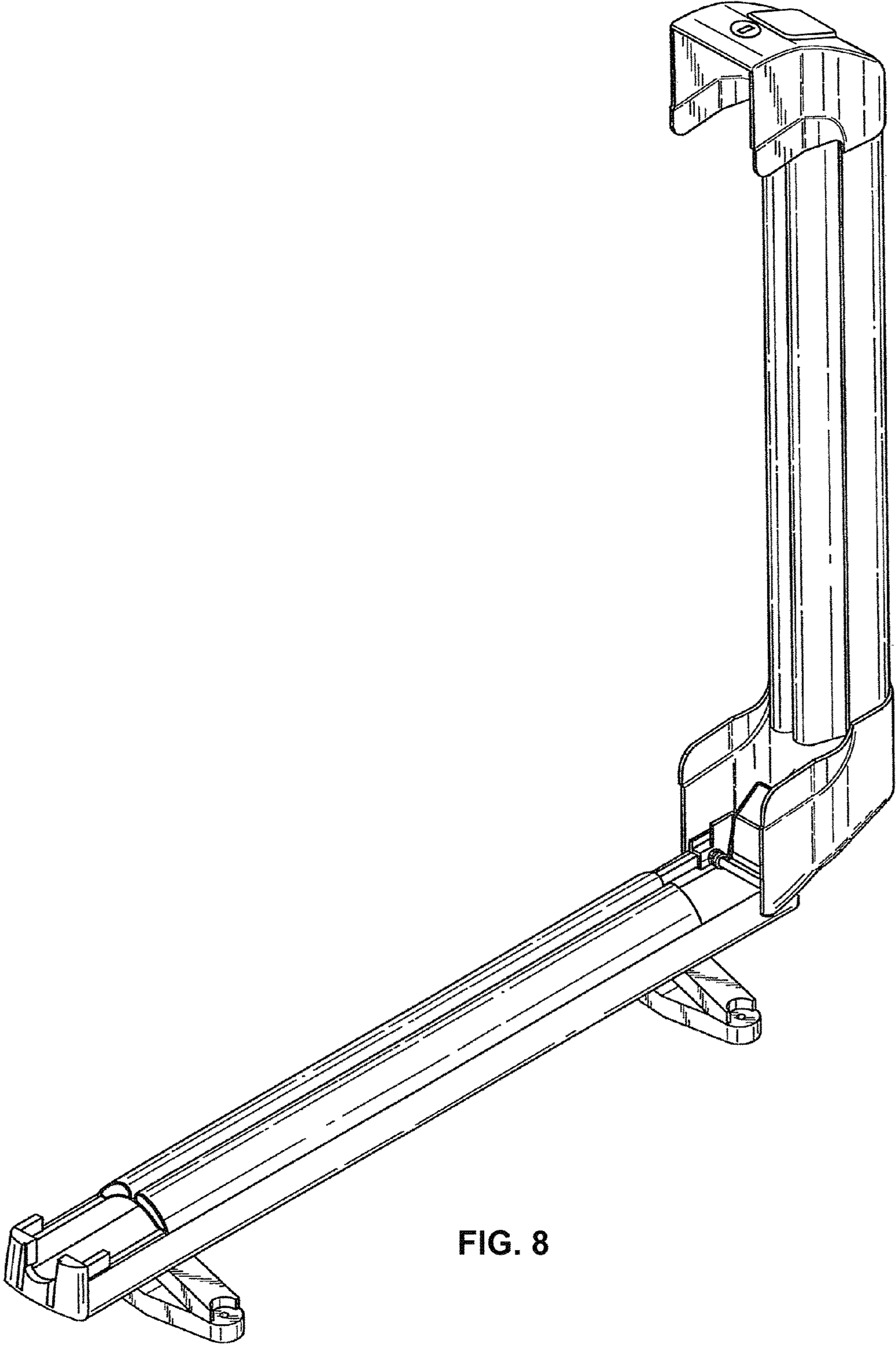


FIG. 8