



US00D642111S

(12) **United States Design Patent**
Saint-Jalmes et al.

(10) **Patent No.:** **US D642,111 S**
(45) **Date of Patent:** **** Jul. 26, 2011**

(54) **AIRCRAFT NOSE**

(75) Inventors: **Bruno Saint-Jalmes**, Toulouse (FR);
Jason Zaneboni, Blagnac (FR);
Bernard Rumeau, Cornebarrieu (FR)

(73) Assignee: **Airbus SAS**, Blagnac Cedex (FR)

(**) Term: **14 Years**

(21) Appl. No.: **29/343,968**

(22) Filed: **Sep. 22, 2009**

Related U.S. Application Data

(63) Continuation-in-part of application No. 29/335,123,
filed on Apr. 9, 2009, now Pat. No. Des. 617,724.

(51) **LOC (9) Cl.** **12-07**

(52) **U.S. Cl.** **D12/345**

(58) **Field of Classification Search** D12/319-345;
244/12.1, 13, 15, 45 A, 45 R; D21/447, 448;
446/36

See application file for complete search history.

(56) **References Cited**

U.S. PATENT DOCUMENTS

D242,994	S	*	1/1977	Prokop	D12/342
D494,127	S	*	8/2004	Eatkins et al.	12/319
D515,012	S	*	2/2006	Eatkins et al.	D12/319
D516,995	S	*	3/2006	Eatkins et al.	D12/319
D608,720	S	*	1/2010	Saint-Jalmes et al.	D12/319
D616,353	S	*	5/2010	Guering	D12/345
D616,354	S	*	5/2010	Saint-Jalmes et al.	D12/345
D616,805	S	*	6/2010	Zha	D12/343
D617,724	S	*	6/2010	Saint-Jalmes et al.	D12/343
D619,076	S	*	7/2010	Guering	D12/343
D630,996	S	*	1/2011	Gall et al.	D12/319
D634,696	S	*	3/2011	Saint-Jalmes et al.	D12/345
2008/0260365	A1	*	10/2008	Chang	396/15

OTHER PUBLICATIONS

ATR Pictures Media Gallery, ATR GIE [online], 2008, [retrieved on Aug. 4, 2009]. Retrieved from the Internet <URL: <http://www.atr.fr/public/atr/html/media/pictures.php>>.

Q400 NextGen, Bombardier [online], 1997-2008, [retrieved on Aug. 4, 2009]. Retrieved from the Internet: <URL: <http://www.q400.com/q400/en/home.jsp>>.

Turbo Prop Airliner Production List; J Roach, A.B. Eastwood [online], [retrieved on Aug. 4, 2009]. Retrieved from the Internet: <URL: <http://www.tahs.com/books/turbo.htm>>.

* cited by examiner

Primary Examiner — Cathron C Brooks

Assistant Examiner — Maurice Stevens

(74) *Attorney, Agent, or Firm* — Osler, Hoskin & Harcourt LLP

(57) **CLAIM**

The ornamental design for an aircraft nose, as shown and described.

DESCRIPTION

FIG. 1 is a perspective view taken from a top, front, left side of an aircraft nose according to our new design shown on an aircraft shown in broken lines;

FIG. 2 is a left elevation view thereof;

FIG. 3 is a right elevation view thereof;

FIG. 4 is a top plan view thereof;

FIG. 5 is a bottom plan view thereof; and,

FIG. 6 is a front elevation view thereof.

Throughout the Figures, broken lines showing environment or structure are for illustrative purposes only and form no part of the claimed design. Dash-dot broken lines represent the boundary between claimed and unclaimed areas and form no part of the claimed design.

1 Claim, 6 Drawing Sheets

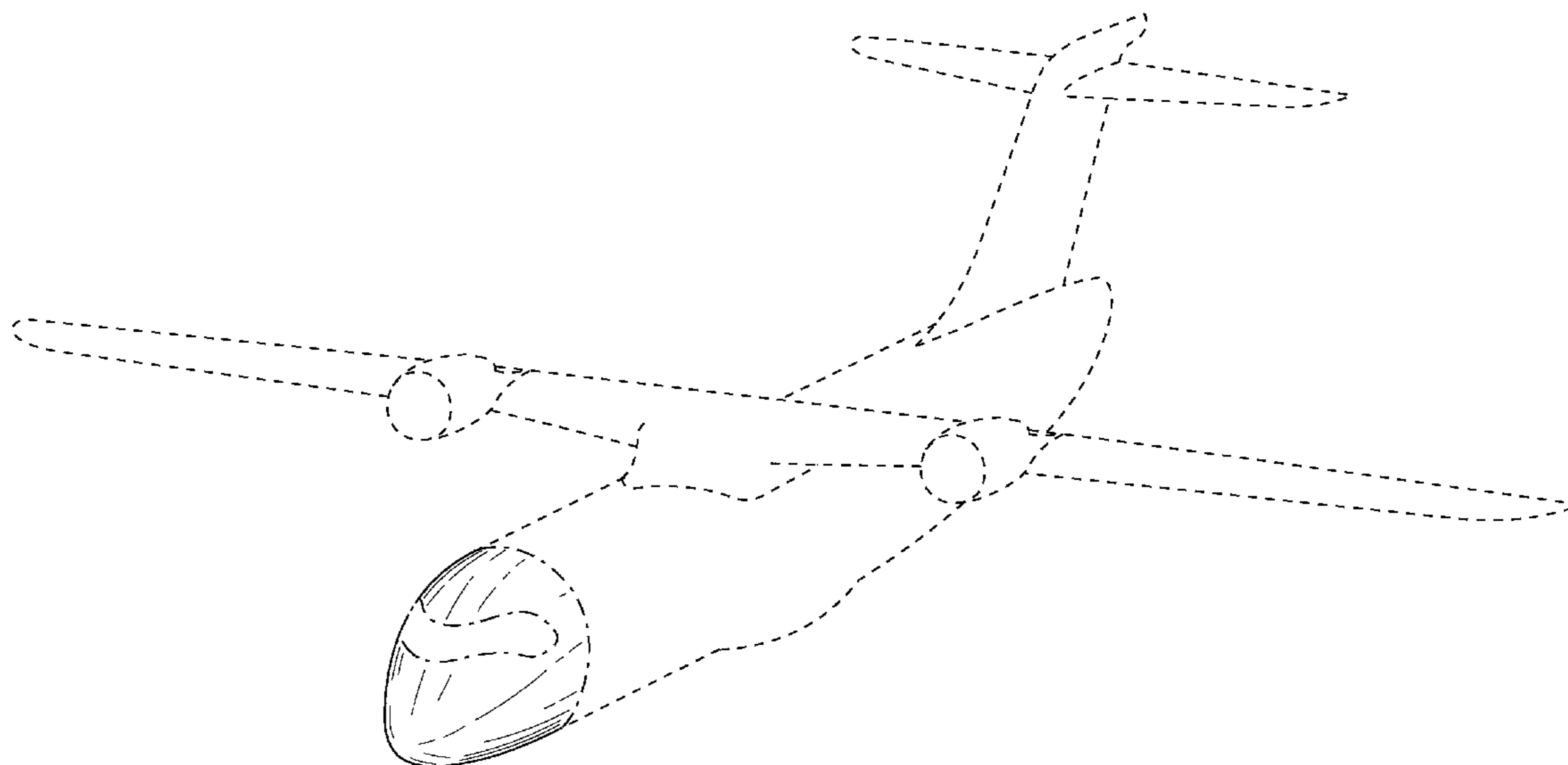




FIG. 1

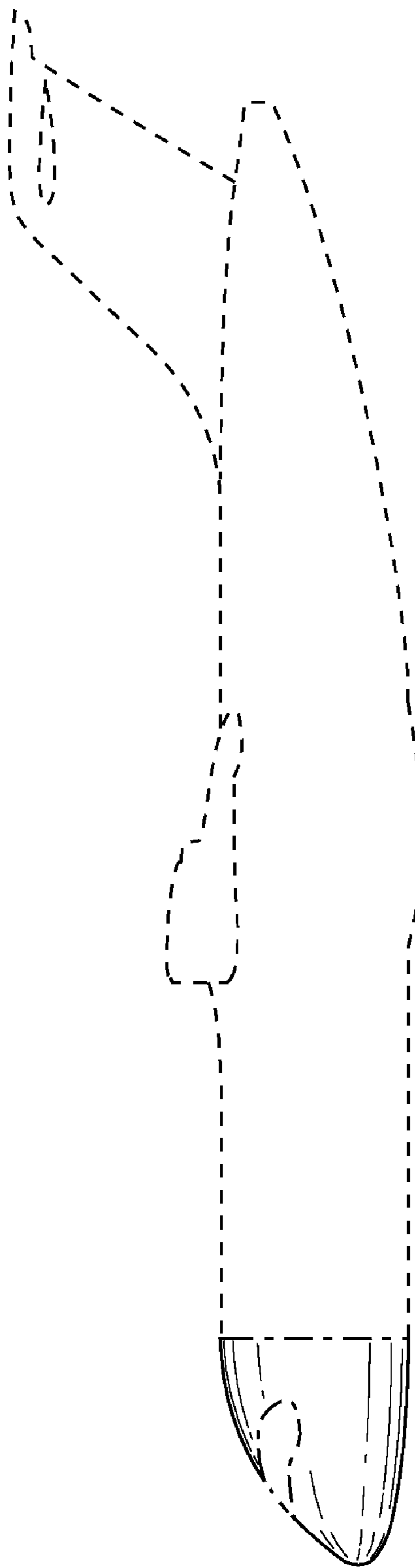


FIG. 2

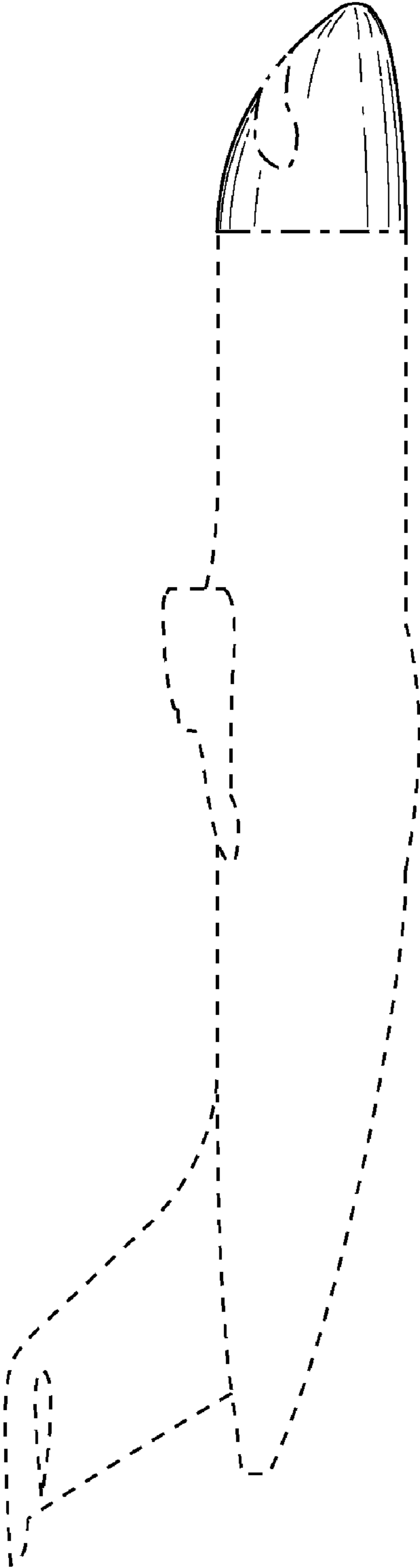


FIG. 3

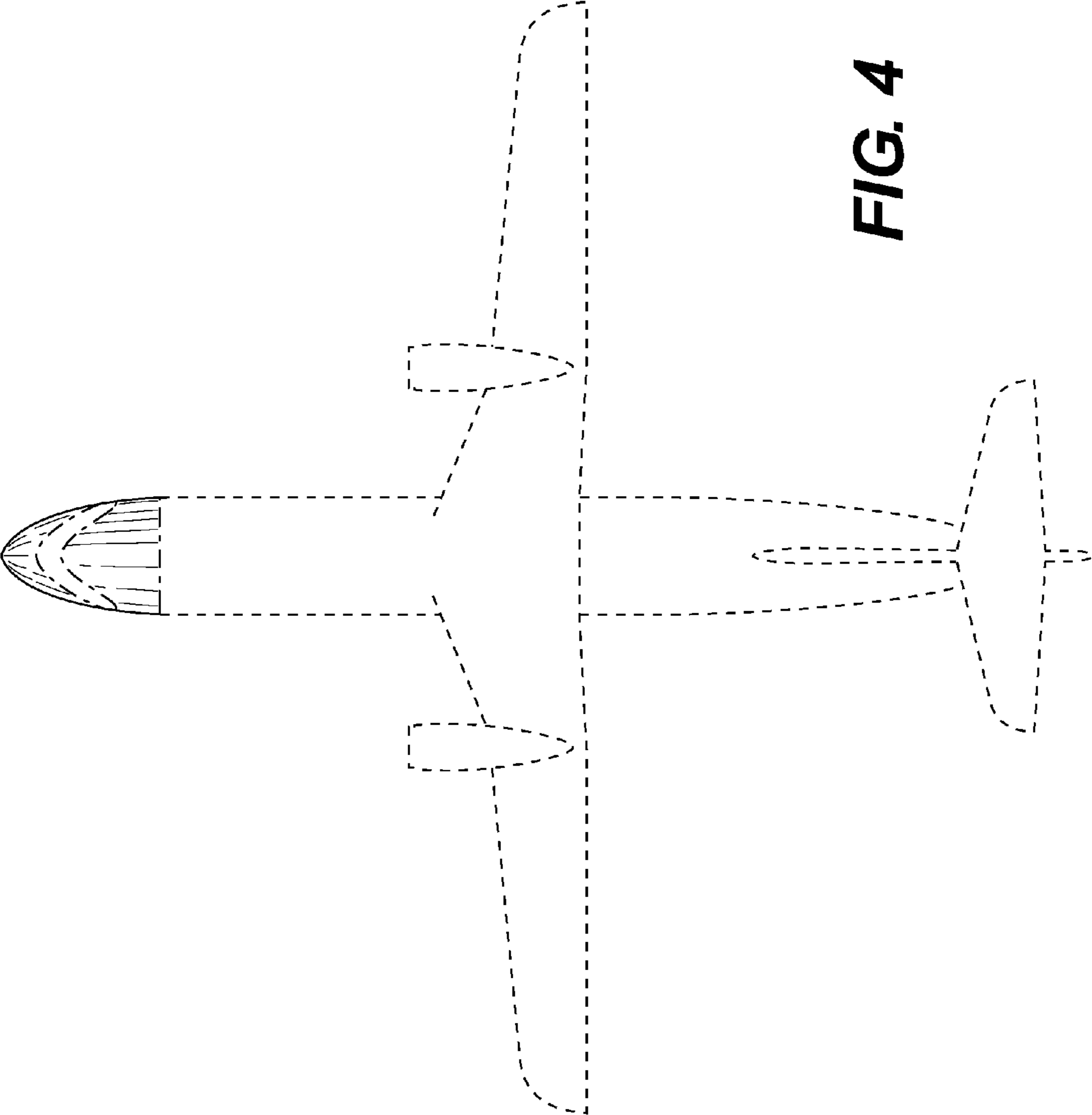


FIG. 4

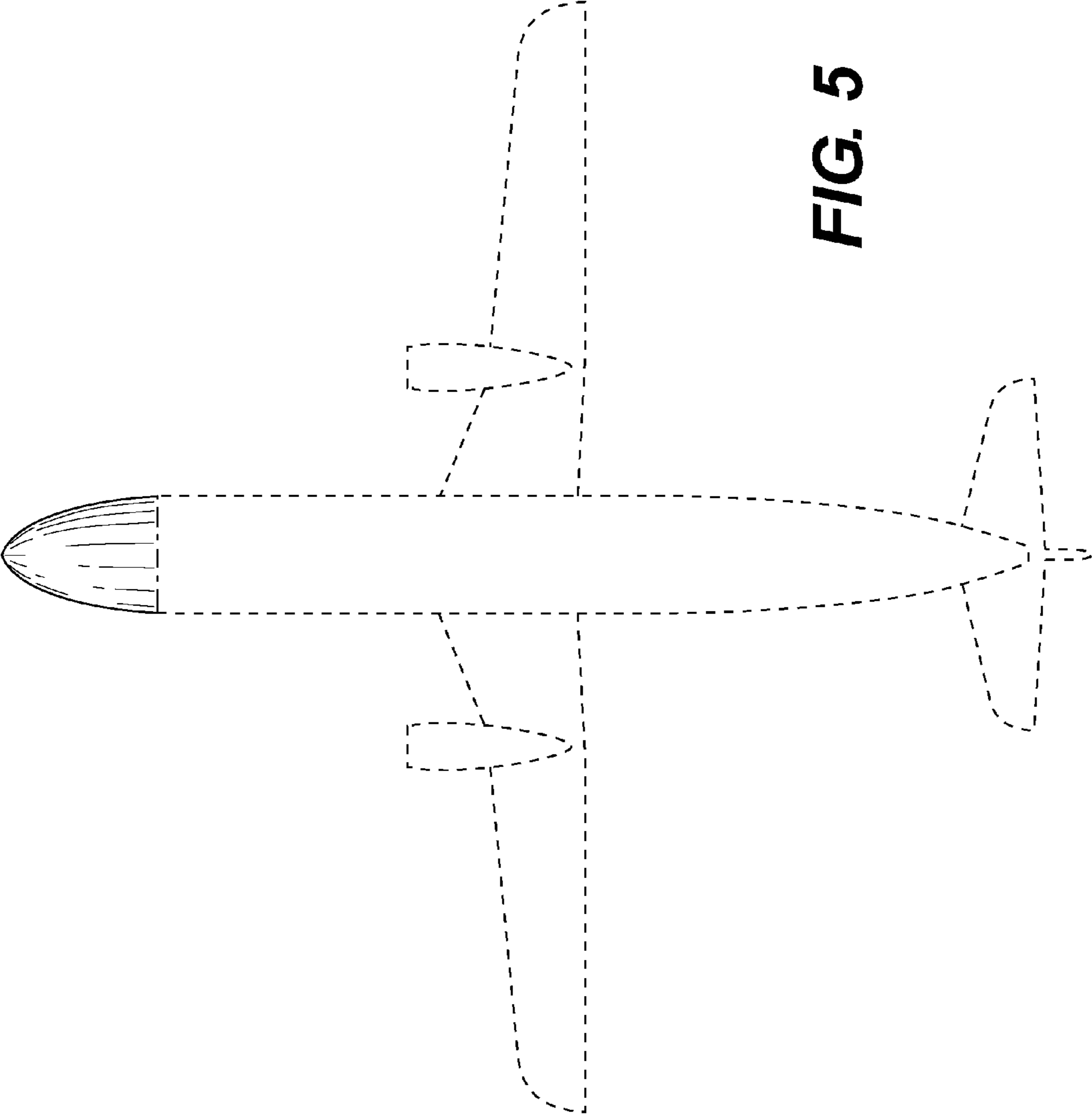


FIG. 5

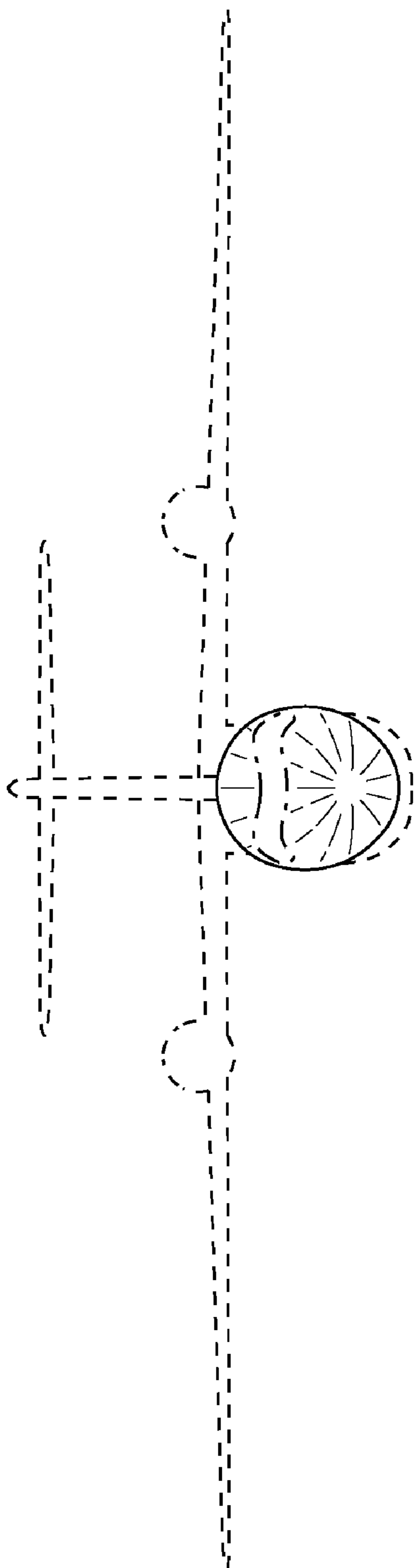


FIG. 6