



US00D642110S

(12) **United States Design Patent**
Lash

(10) **Patent No.:** **US D642,110 S**

(45) **Date of Patent:** **** Jul. 26, 2011**

(54) **PORTABLE RAMP FOR WATERCRAFT**

(76) Inventor: **James R. Lash**, Artesia, NM (US)

(**) Term: **14 Years**

(21) Appl. No.: **29/349,982**

(22) Filed: **May 24, 2010**

(51) **LOC (9) Cl.** **12-06**

(52) **U.S. Cl.** **D12/317**

(58) **Field of Classification Search** D12/317;
414/537, 228; 254/88; 193/38, 41; D34/32,
D34/28; 405/1

See application file for complete search history.

(56) **References Cited**

U.S. PATENT DOCUMENTS

3,353,363	A *	11/1967	Edson	405/1
D264,579	S *	5/1982	Dorsey et al.	D12/317
4,538,312	A *	9/1985	Marki et al.	5/499
4,696,250	A *	9/1987	Antonides	114/343
D299,078	S *	12/1988	Jacobsen	D34/32

D331,137	S *	11/1992	DeLaura	D34/32
D361,642	S *	8/1995	Smith et al.	D34/32
D633,684	S *	3/2011	Key	D34/32

* cited by examiner

Primary Examiner — Lisa Lichtenstein

(74) *Attorney, Agent, or Firm* — Gregory J. Nelson

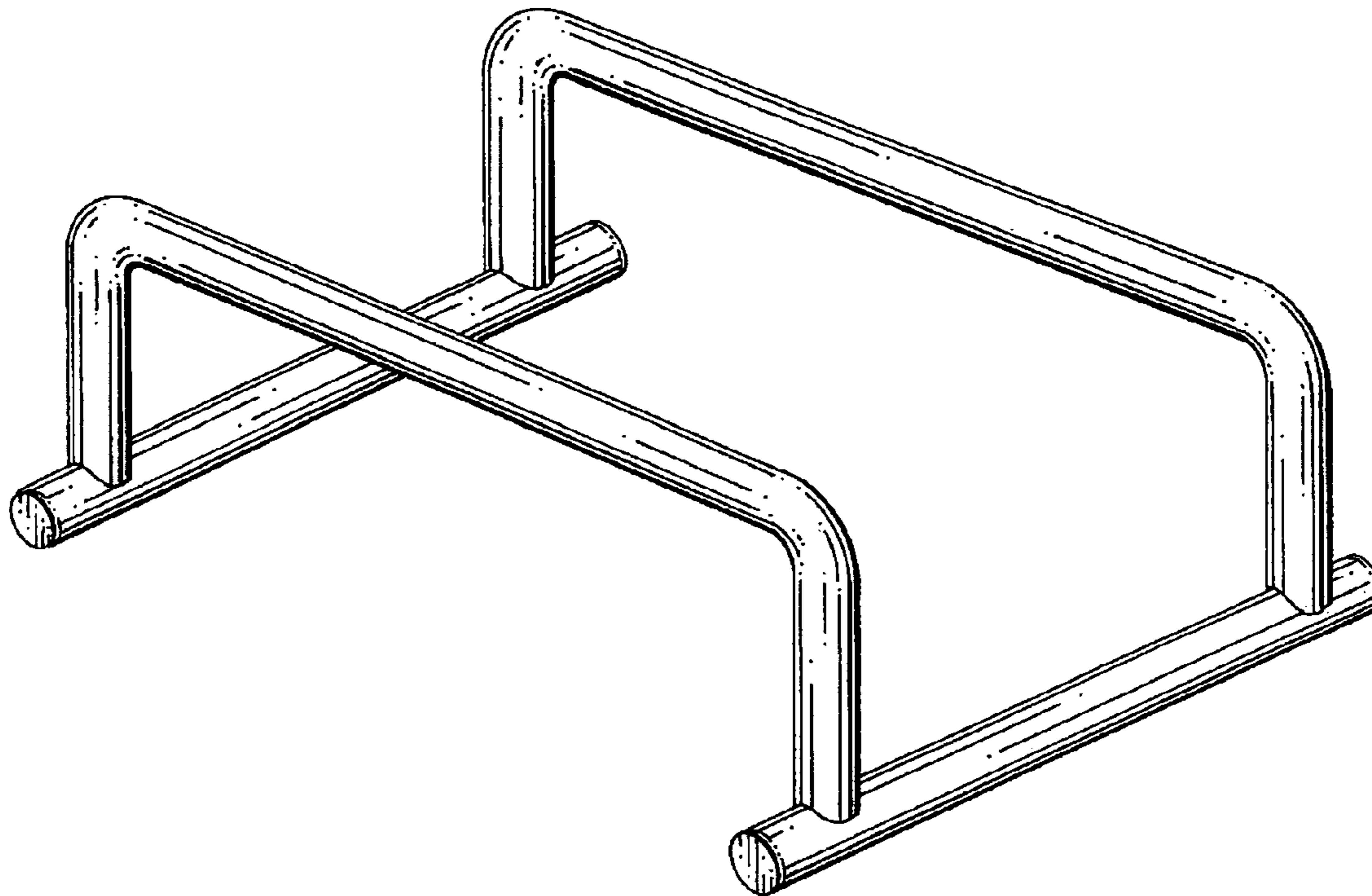
(57) **CLAIM**

I claim the ornamental design for a portable ramp for watercraft, as shown and described.

DESCRIPTION

FIG. 1 is a perspective view of my new design for a portable ramp for watercraft;
FIG. 2 is a right side view thereof;
FIG. 3 is a left side view thereof;
FIG. 4 is a right end view thereof;
FIG. 5 is a left end view of the;
FIG. 6 is a top view; and,
FIG. 7 is a bottom view.

1 Claim, 2 Drawing Sheets



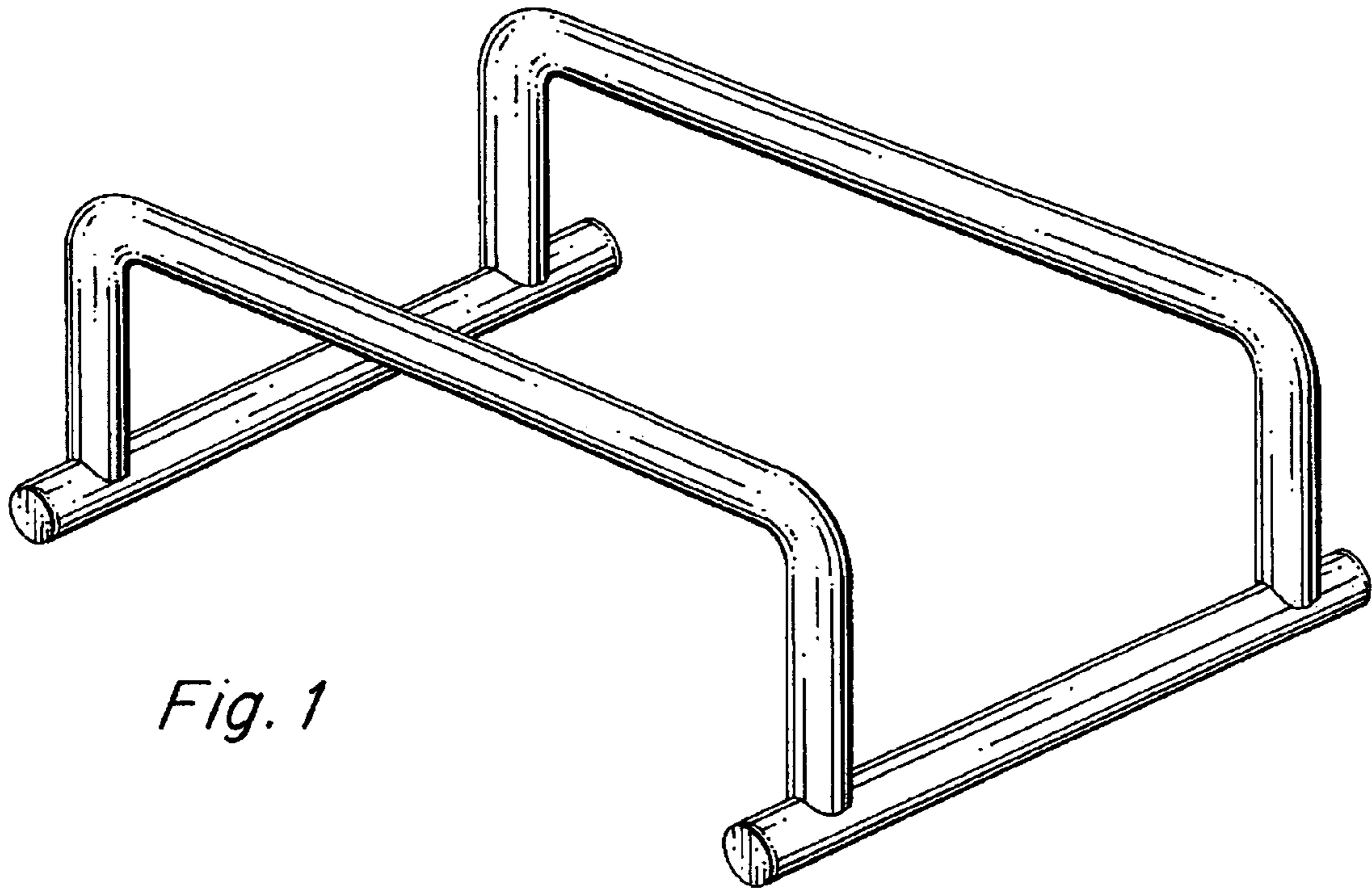


Fig. 1

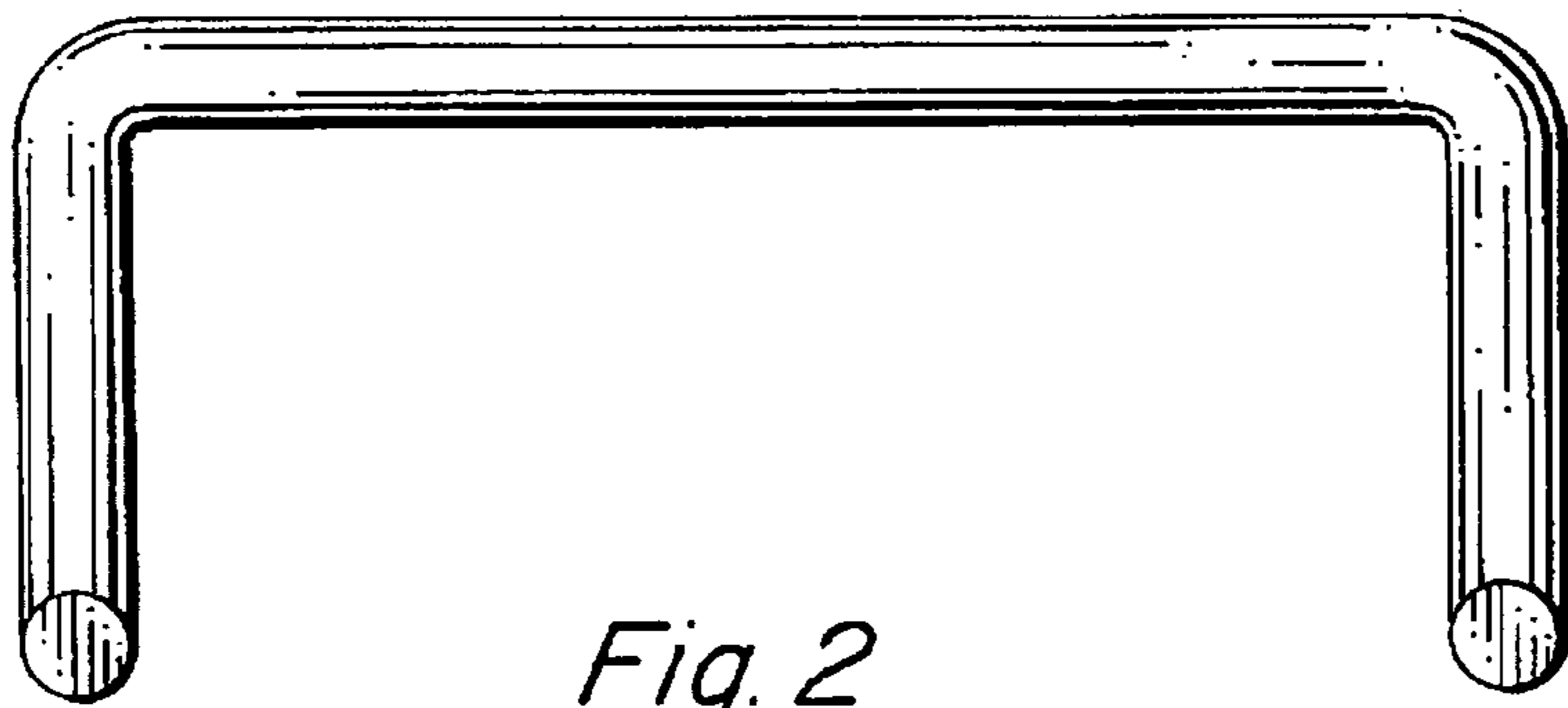


Fig. 2

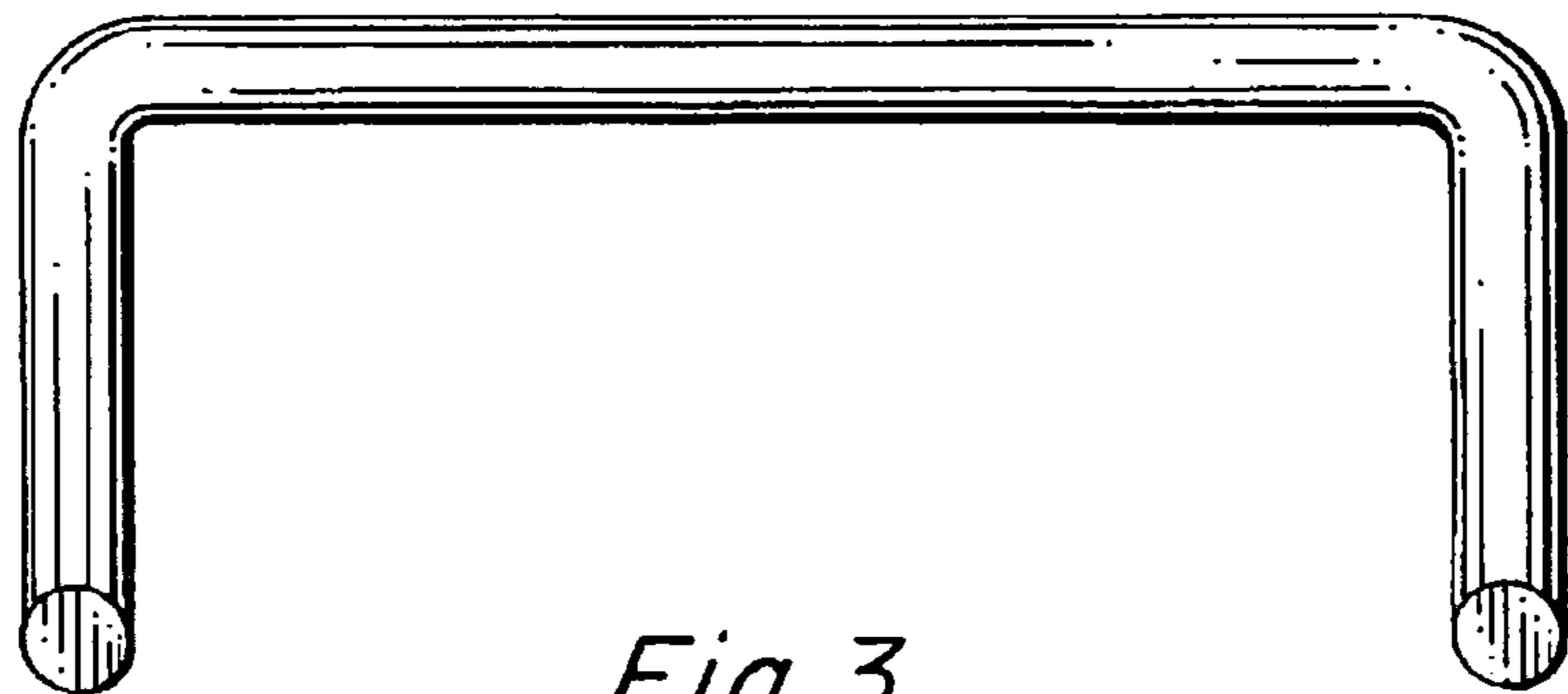


Fig. 3



Fig. 4

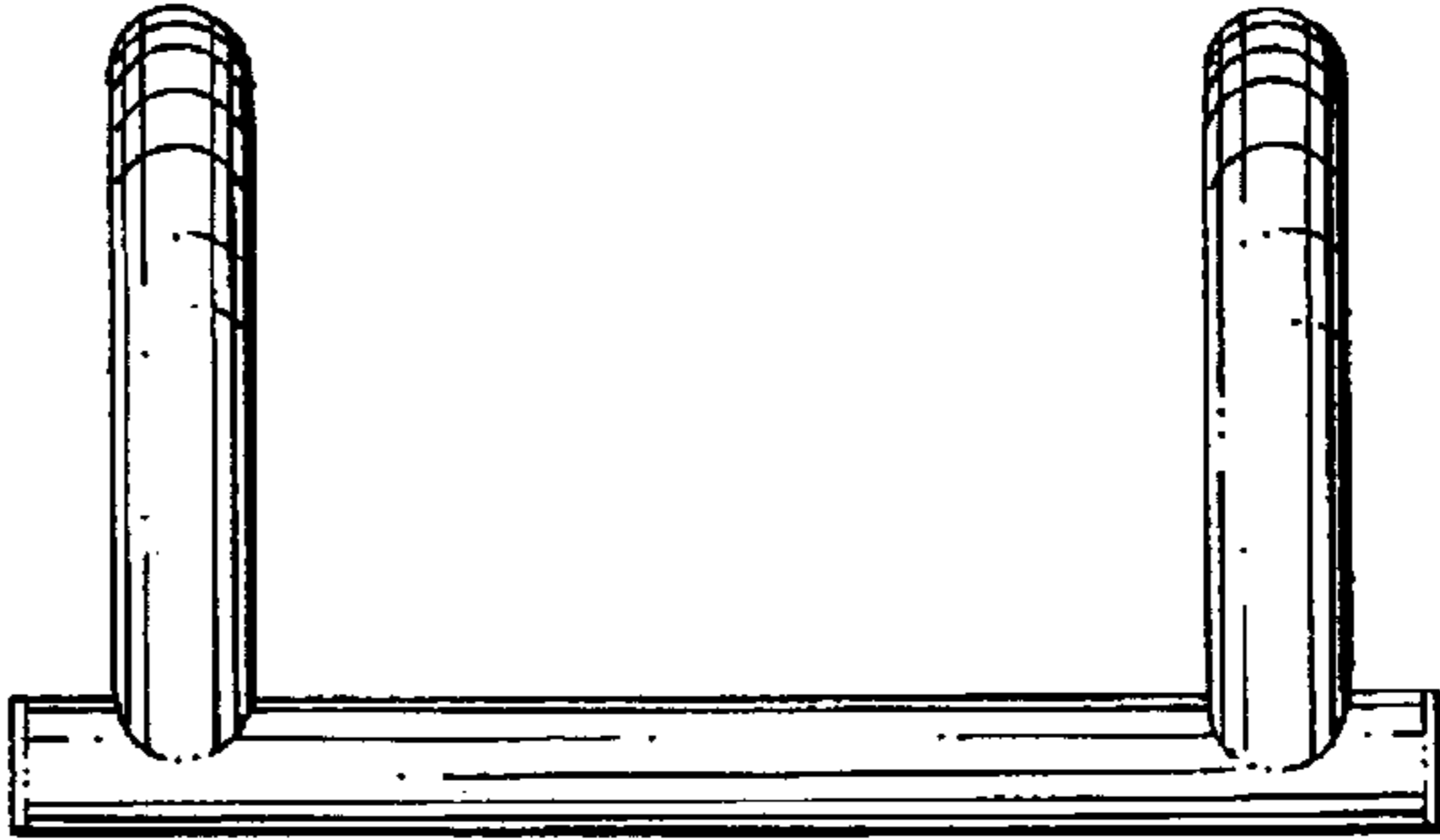


Fig. 5

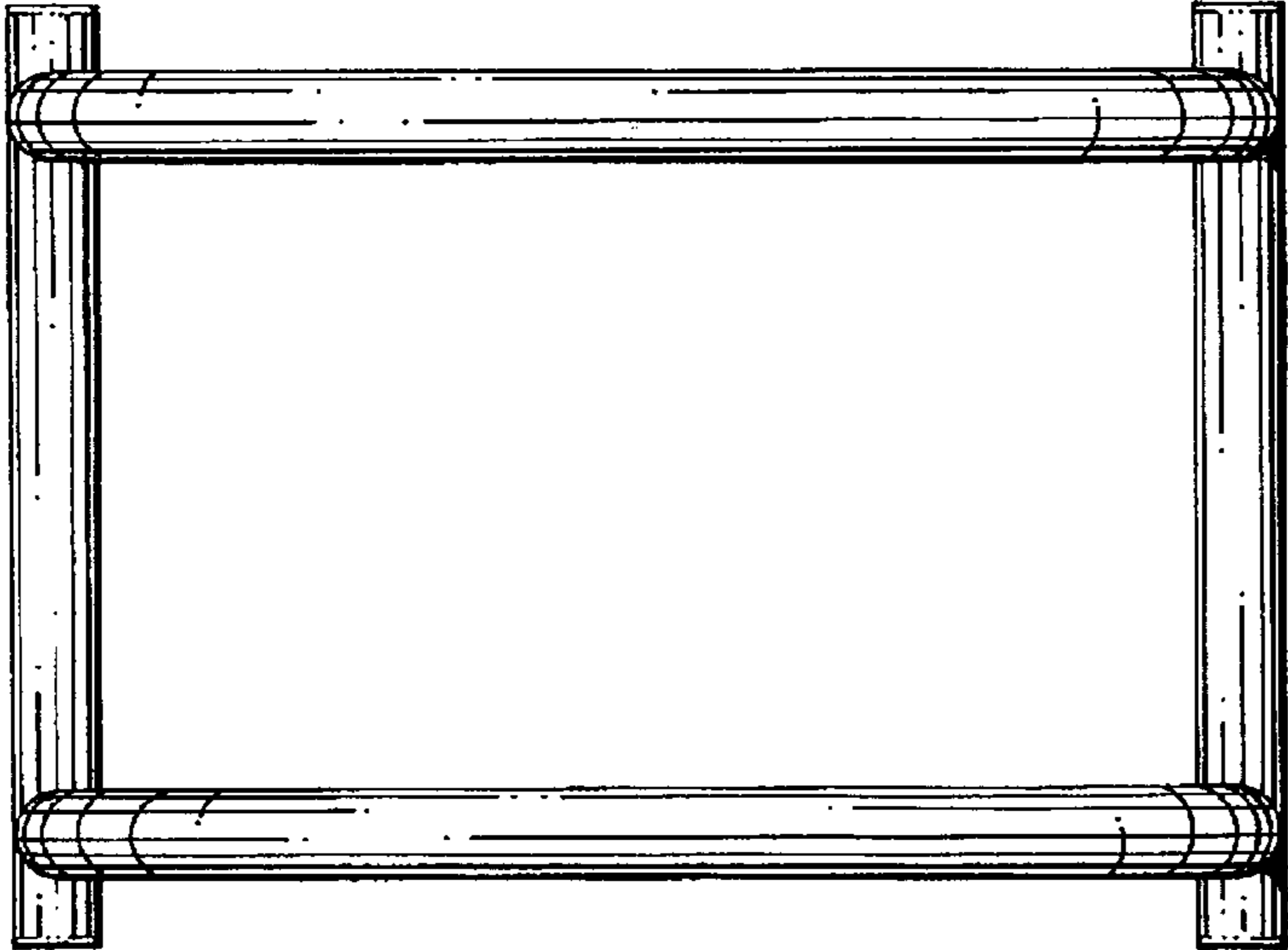


Fig. 6

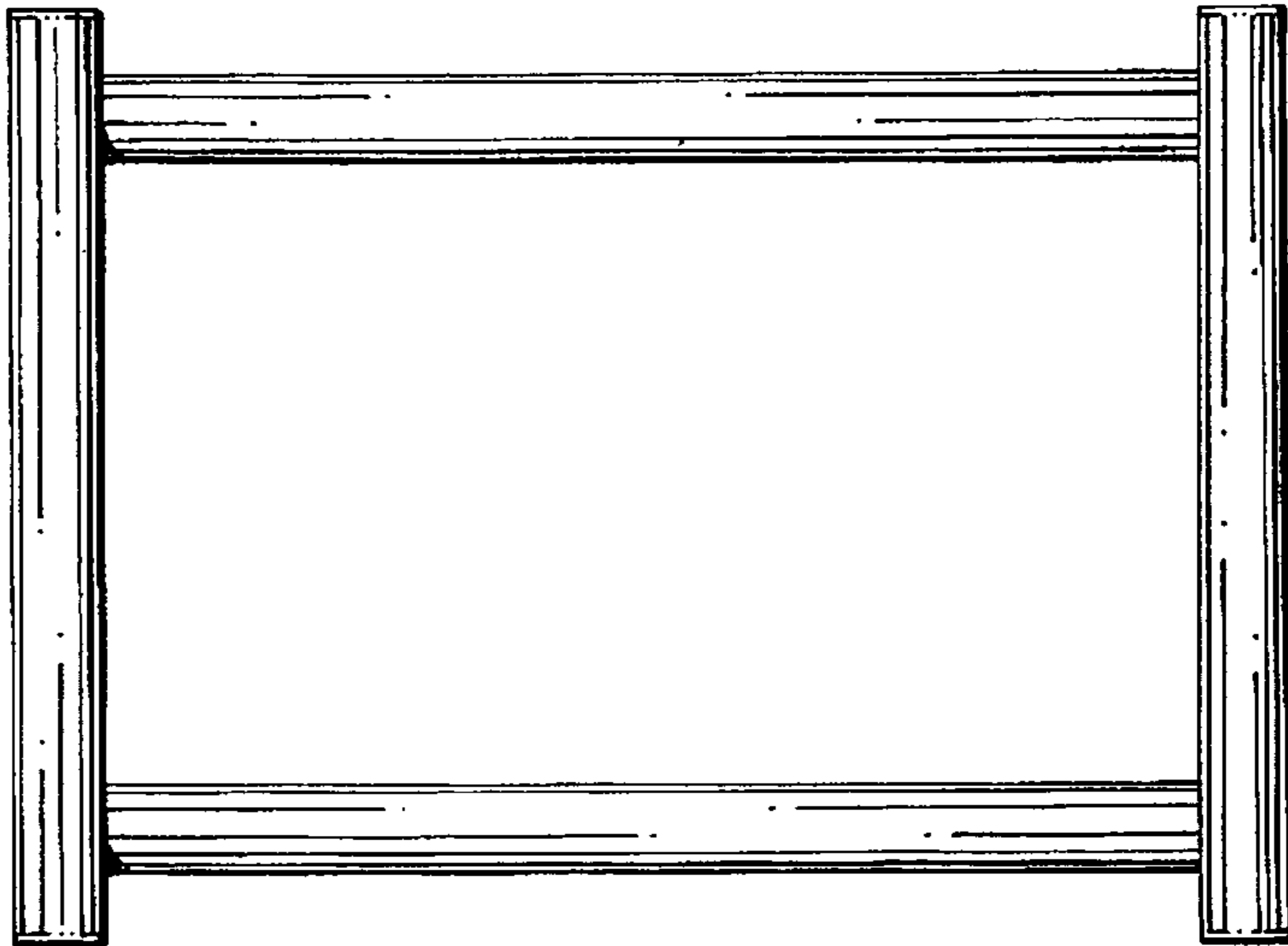


Fig. 7