



US00D642107S

(12) **United States Design Patent**
Peschiutta

(10) **Patent No.:** **US D642,107 S**
(45) **Date of Patent:** **** Jul. 26, 2011**

(54) **ROAD WHEEL ORNAMENT**

- (75) Inventor: **Mark Peschiutta**, Rochester Hills, MI (US)
- (73) Assignee: **Ford Global Technologies, LLC**, Dearborn, MI (US)
- (**) Term: **14 Years**
- (21) Appl. No.: **29/369,275**
- (22) Filed: **Sep. 4, 2010**

Related U.S. Application Data

- (63) Continuation-in-part of application No. 12/787,384, filed on May 25, 2010.
- (51) **LOC (9) Cl.** **12-16**
- (52) **U.S. Cl.** **D12/213**
- (58) **Field of Classification Search** D12/204–213; 301/37.102, 37.107–37.108, 37.25, 37.23, 301/37.42, 37.31, 37.371
See application file for complete search history.

(56) **References Cited**

U.S. PATENT DOCUMENTS

5,078,453	A	1/1992	Siwek	
5,494,336	A	2/1996	Russell	
D406,093	S *	2/1999	Wissen	D12/213
D437,276	S	2/2001	Hodges	
6,517,168	B1	2/2003	Van Houten	
D477,558	S *	7/2003	Brintouch	D12/211
D481,346	S *	10/2003	Vian	D12/211
6,688,703	B1	2/2004	Wang	
6,799,810	B1	10/2004	Wang	
D504,375	S	4/2005	Hussaini	
D505,103	S *	5/2005	Bentley	D12/213
D510,555	S	10/2005	Fowlkes	

(Continued)

FOREIGN PATENT DOCUMENTS

JP 4203639 7/1992

(Continued)

OTHER PUBLICATIONS

“Motionlite retractable wheel puts the spotlight on your dubs”, Website, Apr. 6, 2010, 18 pages, <http://www.autoblog.com/2010/04/06/motionlite-retractable-wheel-puts-the-spotlight-on-your-dubs/>.

(Continued)

Primary Examiner — Stacia Cadmus

(74) *Attorney, Agent, or Firm* — Just Intellectuals, PLLC; Kristy J. Downing

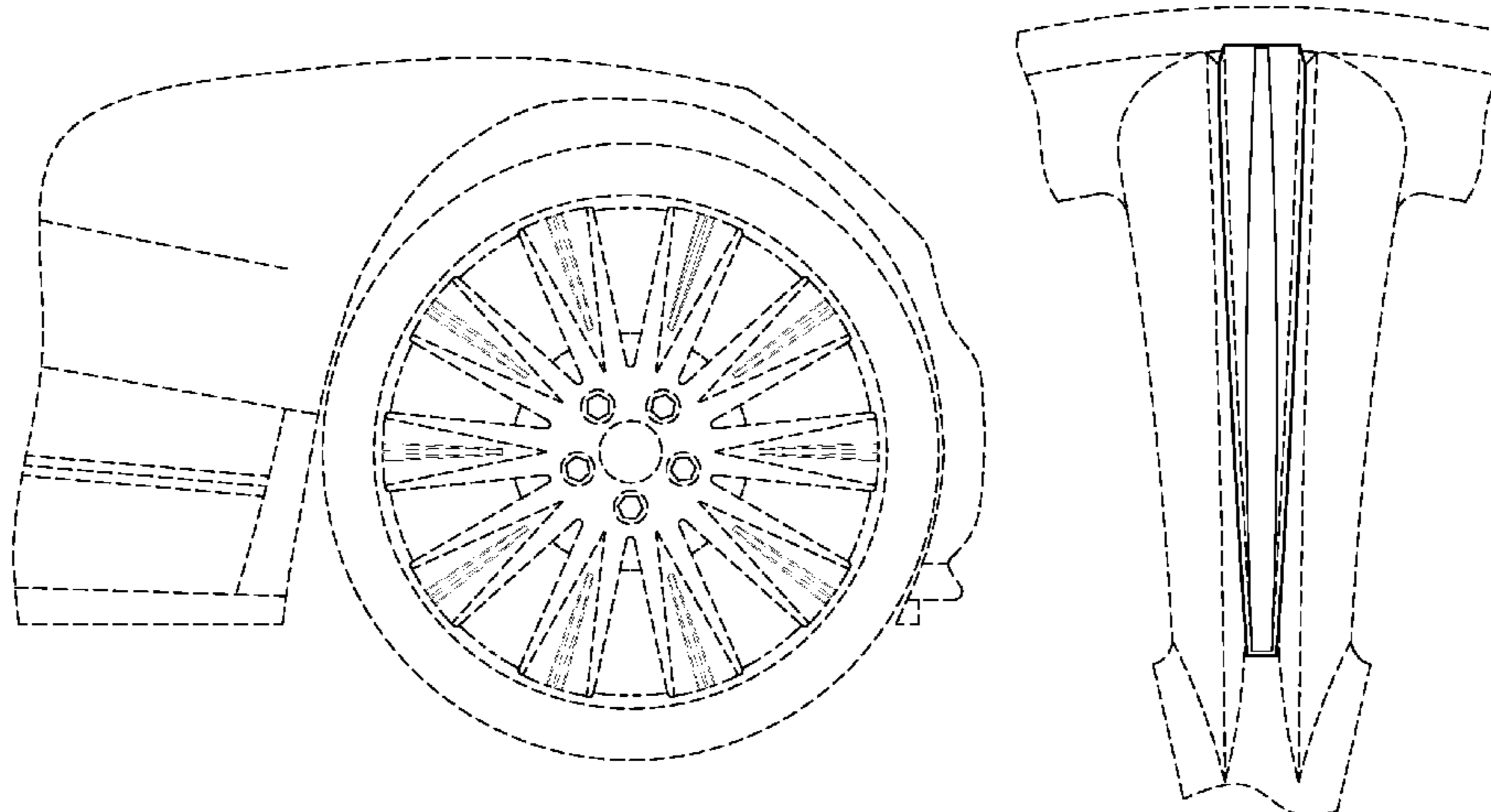
(57) **CLAIM**

The ornamental design for road wheel ornament, as shown and described.

DESCRIPTION

FIG. 1 is a front view of a road wheel ornament shown on the side of a vehicle, with a wheel and other ornaments.
 FIG. 2 is an enlarged front view of the road wheel ornament of FIG. 1 with the wheel partially shown.
 FIG. 3 is a perspective view of the road wheel ornament of FIG. 2.
 FIG. 4 is a front view of the road wheel ornament.
 FIG. 5 is a left side view of the road wheel ornament of FIG. 4.
 FIG. 6 is a rear view of the road wheel ornament of FIG. 4.
 FIG. 7 is a perspective view of the road wheel ornament of FIG. 4; and,
 FIG. 8 is rear perspective view of the road wheel ornament of FIG. 4.
 The broken lines showing of environmental structure in the figures is for illustrative purposes only and forms no part of the claimed design. Specifically, the broken lines shown in FIG. 1 illustrate a side body panel of the vehicle, a front fascia, a tire and unclaimed wheel ornaments.
 The road wheel ornament is shown on a further enlarged scale in FIGS. 4-8 as compared with FIGS. 2 and 3.

1 Claim, 2 Drawing Sheets



US D642,107 S

Page 2

U.S. PATENT DOCUMENTS

D524,216 S * 7/2006 Scheu D12/211
D532,738 S * 11/2006 Ettensberger D12/211
D567,730 S 4/2008 Polka
D567,731 S 4/2008 Polka
D568,227 S * 5/2008 Bogani D12/213
D576,095 S * 9/2008 Chung D12/211
D578,459 S * 10/2008 Hetrick D12/211
7,452,037 B1 11/2008 Nunes
D589,427 S 3/2009 Scheu
D591,663 S * 5/2009 Chung D12/211
D593,018 S 5/2009 Juergens
D595,203 S 6/2009 Rak
D617,251 S * 6/2010 Zhao D12/211
D618,607 S * 6/2010 Hilpert D12/211
D620,425 S * 7/2010 Zhao D12/211
D623,114 S * 9/2010 Geisler D12/211
D625,244 S * 10/2010 Zhao D12/211
2007/0018496 A1 1/2007 McCorquodale

2008/0272642 A1 11/2008 Hsiao
2008/0303338 A1 12/2008 Takeda
2009/0127920 A1 5/2009 Takeda

FOREIGN PATENT DOCUMENTS

JP 4314601 11/1992
JP 2006218890 8/2006
JP 2008247131 10/2008

OTHER PUBLICATIONS

You Tube results page for "dubs wheels illuminating", Website, May 25, 2010, 2 pages, http://www.google.com/webhp?sourceid=navclient&ie=UTF-8#q=dubs+wheels+illuminating&hl=en&rlz=1R2ADRA_enUS353&prmd=v&source=univ&tbs=vid:1&tbo=u&ei=aDb8S-bjCoWMNv-s0ckB&sa=X&oi=video_result_group&ct=title&resnum=4&ved=0CC4QqwQwAw&fp=3323078eec0754e.

* cited by examiner

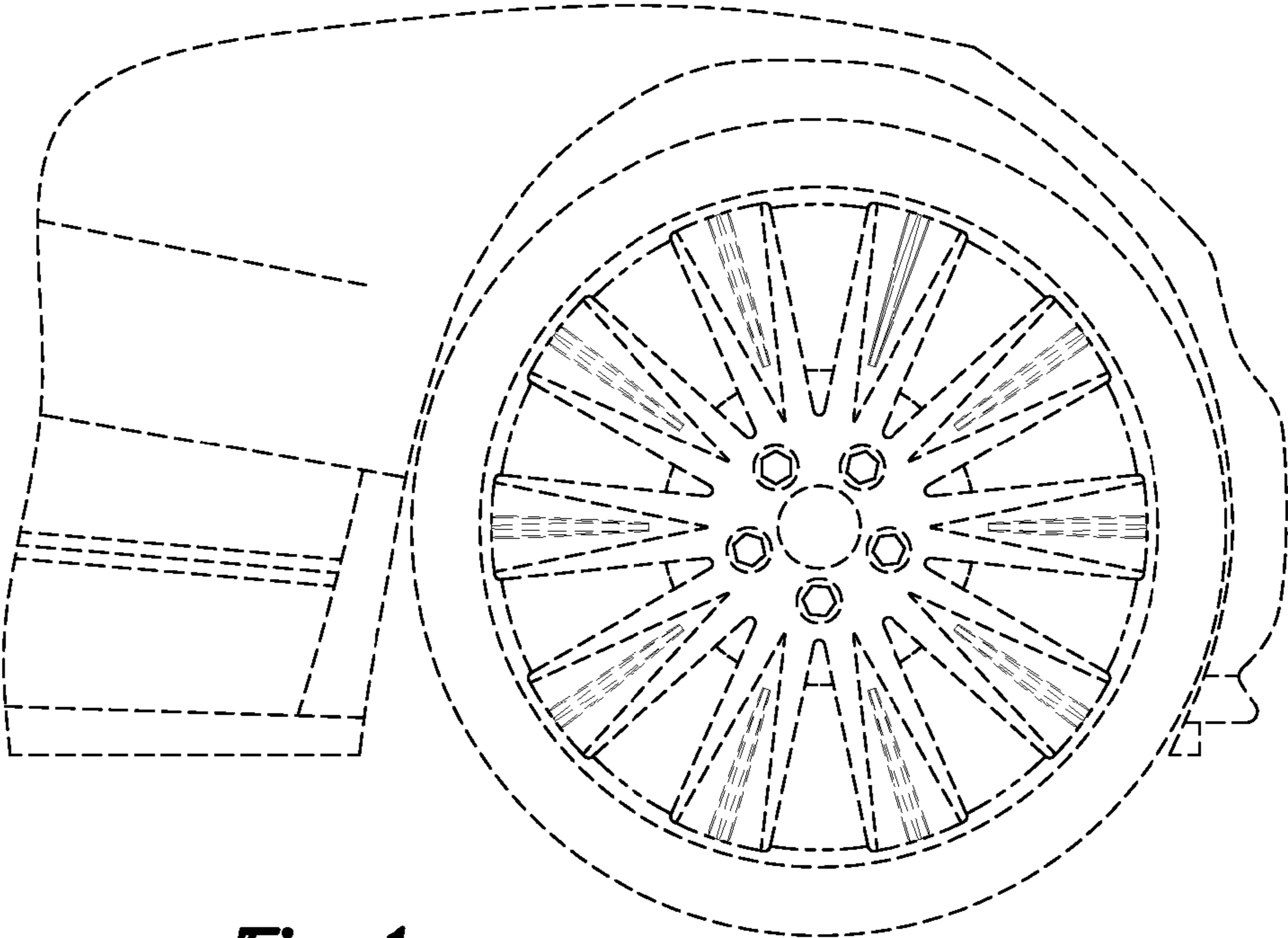


Fig-1

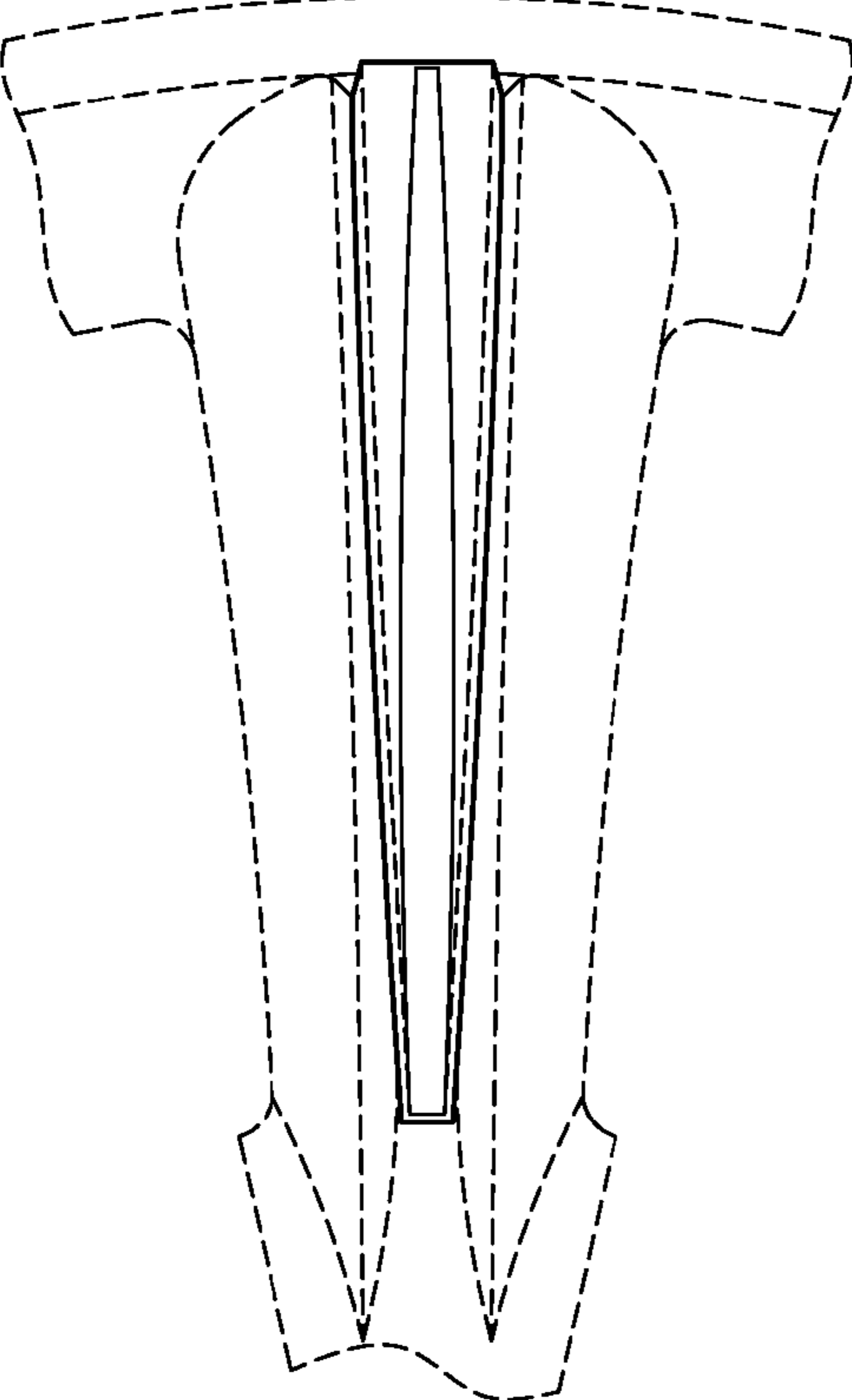


Fig-2

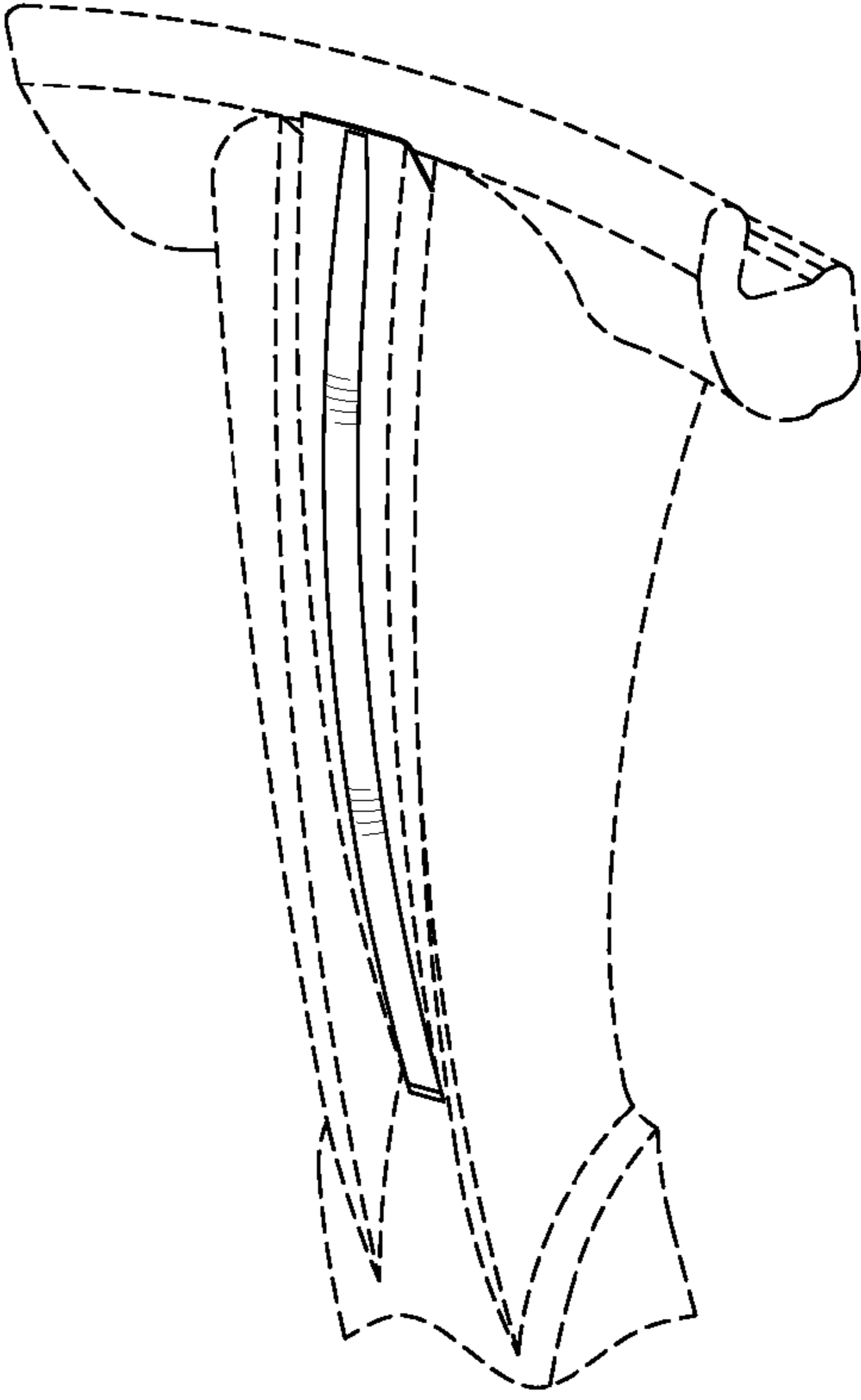


Fig-3

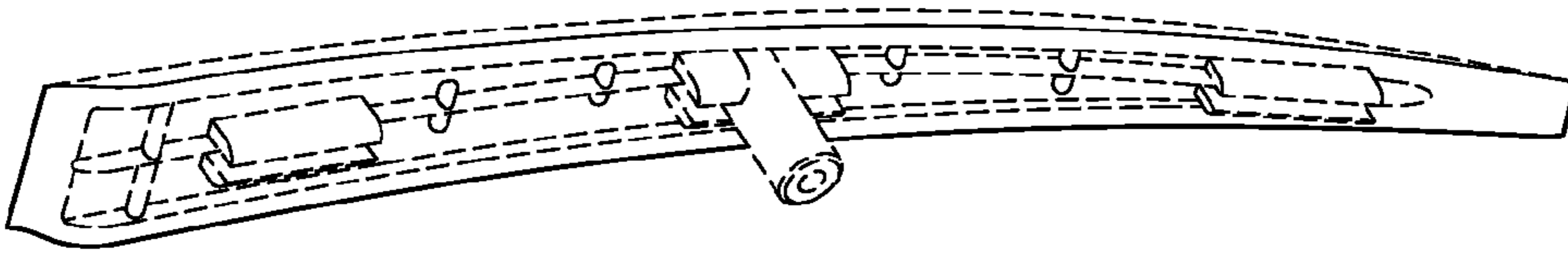


Fig-8

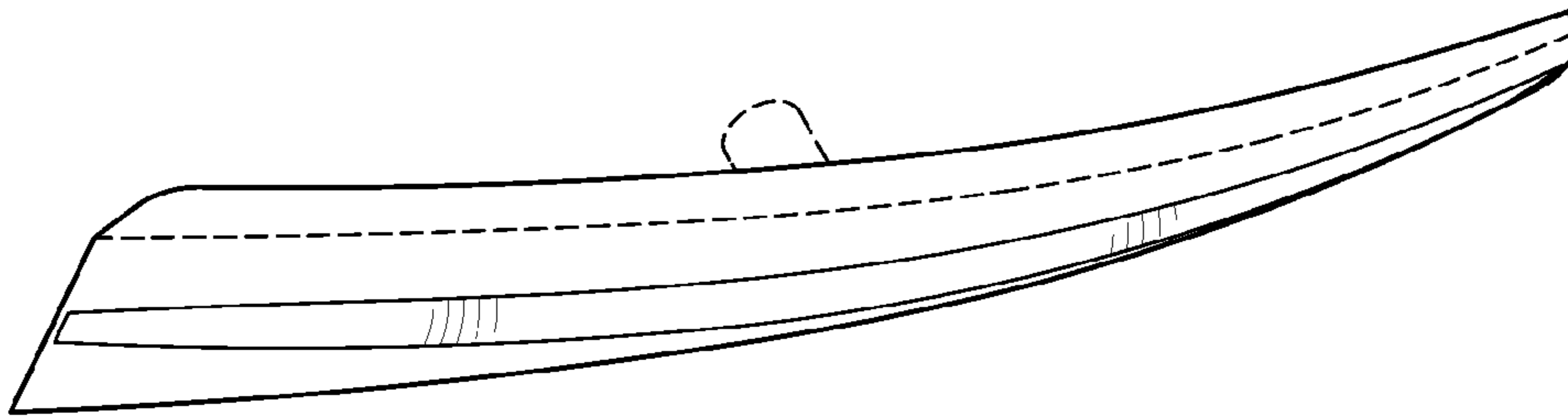


Fig-7

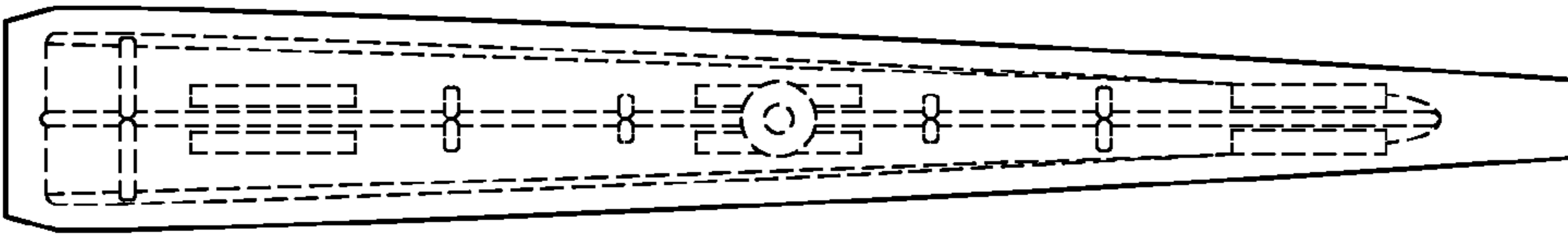


Fig-6

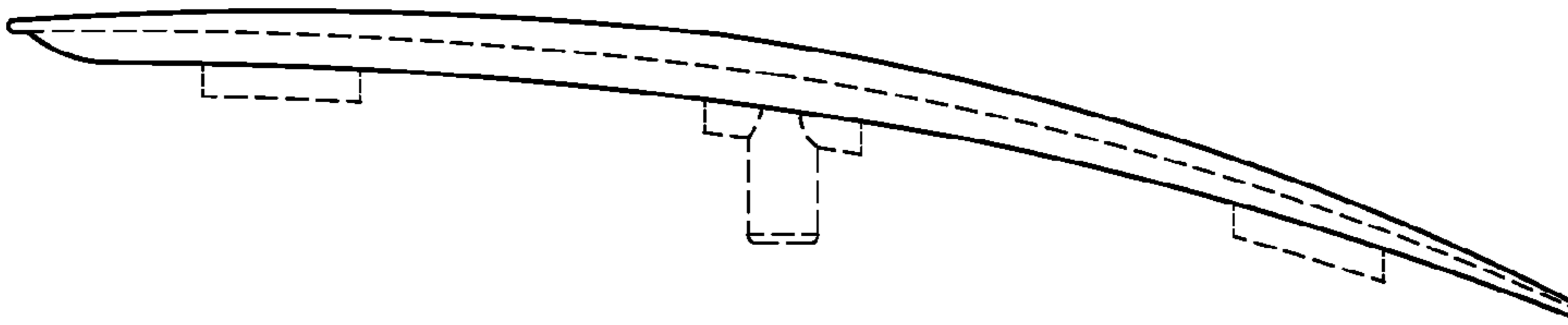


Fig-5

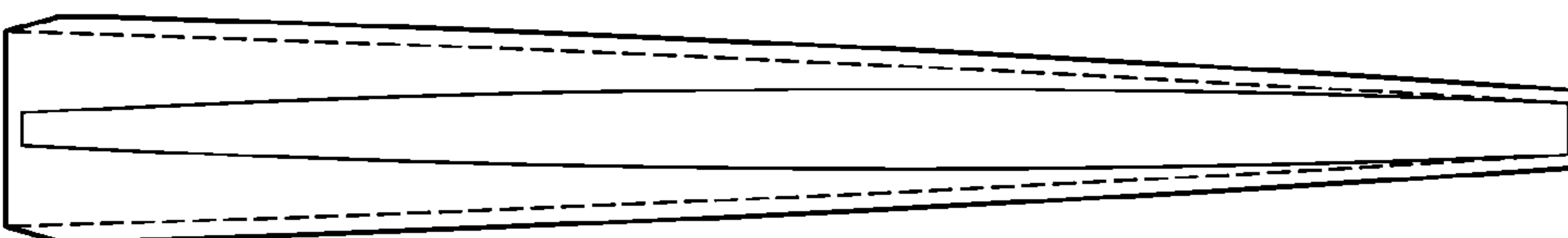


Fig-4