



US00D642104S

(12) **United States Design Patent**  
**Nagode**

(10) **Patent No.:** **US D642,104 S**

(45) **Date of Patent:** **\*\* Jul. 26, 2011**

(54) **AUTOMOBILE INTERIOR**

(75) **Inventor:** **Ryan C. Nagode**, West Bloomfield, MI (US)

(73) **Assignee:** **Chrysler Group LLC**, Auburn Hills, MI (US)

(\*\*) **Term:** **14 Years**

(21) **Appl. No.:** **29/381,732**

(22) **Filed:** **Dec. 22, 2010**

(51) **LOC (9) Cl.** ..... **12-16**

(52) **U.S. Cl.** ..... **D12/192**

(58) **Field of Classification Search** ..... D12/192,  
D12/415, 110, 114; 280/750-752; 180/90;  
296/70, 191, 190.01-190.09; D15/28, 17;  
D10/122-127, 102-103, 98, 46

See application file for complete search history.

(56) **References Cited**

**U.S. PATENT DOCUMENTS**

4,530,517	A	*	7/1985	Miyabayashi et al.	.....	280/752
D285,915	S	*	9/1986	Luthe et al.	.....	D12/192
D389,798	S	*	1/1998	Ma et al.	.....	D12/192
D413,095	S	*	8/1999	Abalos et al.	.....	D12/192

D419,936	S	*	2/2000	Sacco et al.	.....	D12/192
D432,474	S	*	10/2000	Sacco et al.	.....	D12/192
D449,263	S	*	10/2001	Yamazaki et al.	.....	D12/192
D489,798	S	*	5/2004	Hunt	.....	D23/304
D512,357	S	*	12/2005	Schuttera	.....	D12/192
7,100,959	B1	*	9/2006	Herrera, Jr.	.....	296/70
D549,628	S	*	8/2007	Esaki et al.	.....	D12/192
D560,150	S	*	1/2008	Honma et al.	.....	D12/192
D577,640	S	*	9/2008	Wyszogrod et al.	.....	D12/192

\* cited by examiner

*Primary Examiner* — Caron D Veynar

*Assistant Examiner* — Katrina Kile

(74) *Attorney, Agent, or Firm* — Ralph E. Smith

(57) **CLAIM**

The ornamental design for an automobile interior, as shown and described.

**DESCRIPTION**

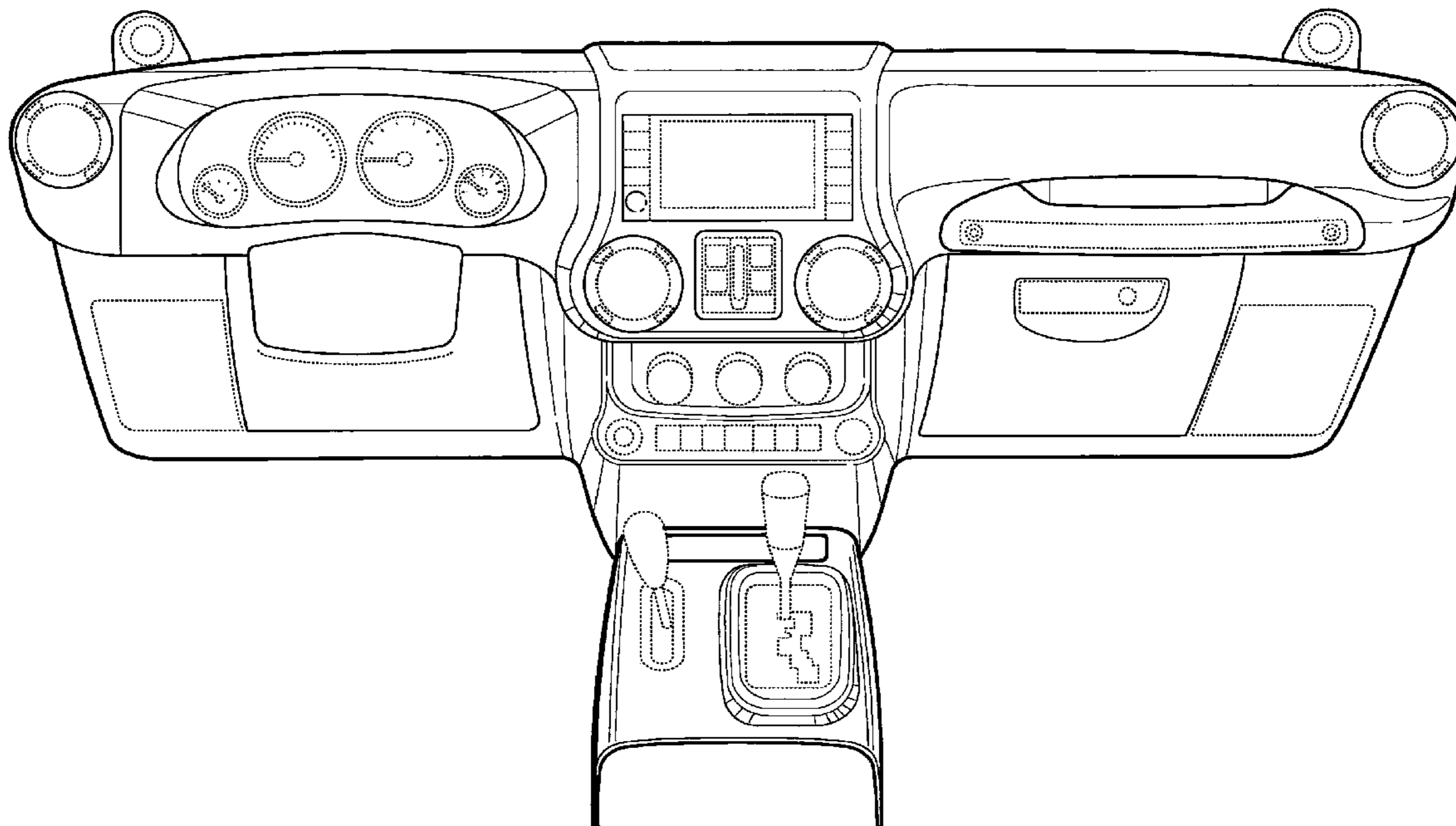
FIG. 1 is a left perspective view of an automobile interior showing our new design;

FIG. 2 is a front view thereof; and,

FIG. 3 is a right perspective view thereof.

It will be understood that the dashed lines presented in the drawings are for illustration only, and do not form a part of the claimed design.

**1 Claim, 3 Drawing Sheets**



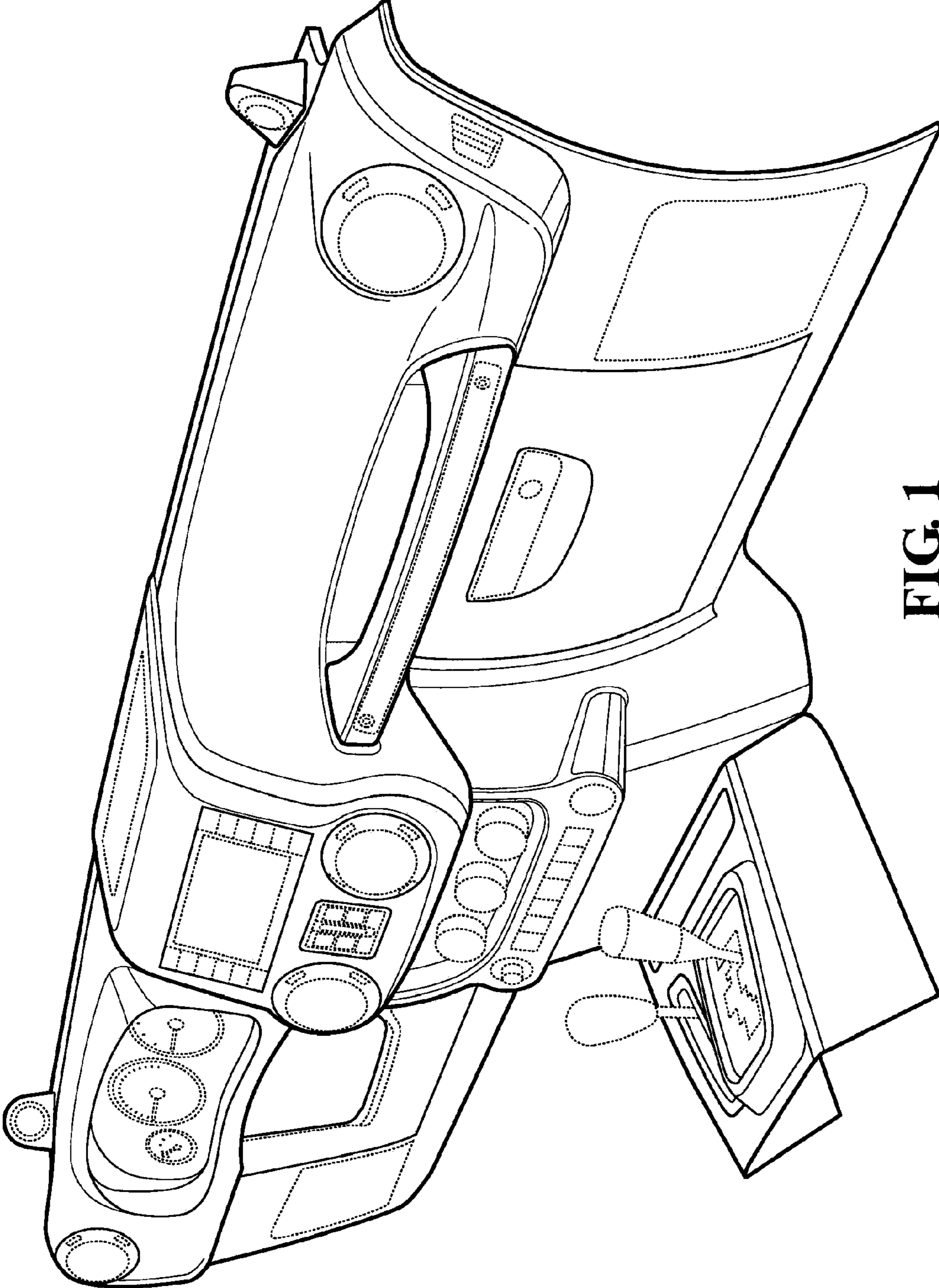


FIG. 1

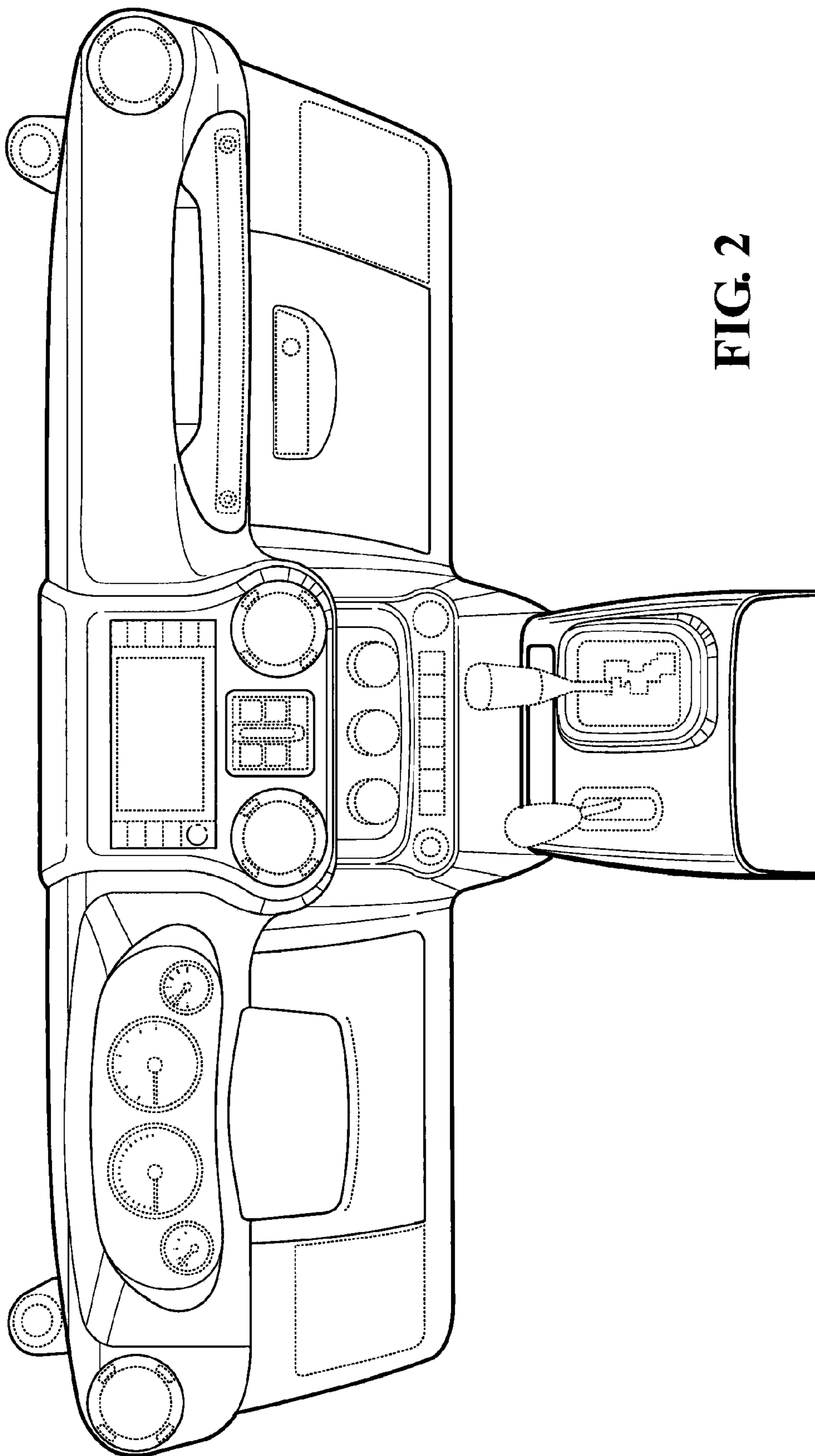


FIG. 2

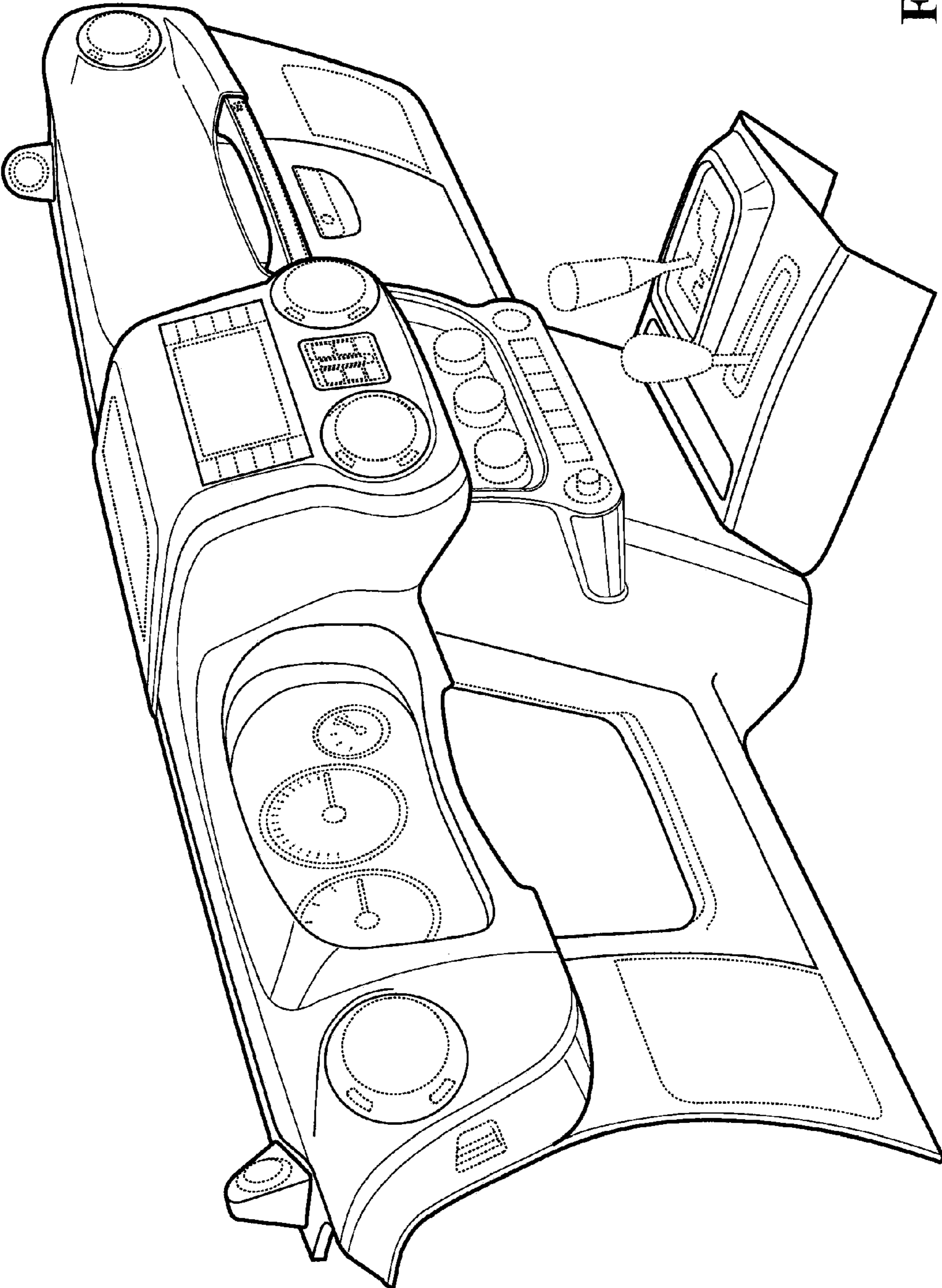


FIG. 3