



US00D642103S

(12) **United States Design Patent**
Yamamoto et al.

(10) **Patent No.:** **US D642,103 S**
(45) **Date of Patent:** **** Jul. 26, 2011**

(54) **INSTRUMENT PANEL FOR AN
AUTOMOBILE**

D436,069 S * 1/2001 O'Connell D12/192
D489,660 S * 5/2004 Okumura et al. D12/192
D489,798 S * 5/2004 Hunt D23/304

(75) Inventors: **Kei Yamamoto**, Toyota (JP); **Yoshinori Sakakibara**, Kariya (JP); **Kaori Suzuki**, Kariya (JP)

OTHER PUBLICATIONS

Catalog of Toyota IQ No Subete, San-eishobo Publishing Co., Ltd., Aug. 2008.
Catalog of Toyota Opa, Toyota, May 2005.

(73) Assignee: **Toyota Jidosha Kabushiki Kaisha**, Toyota-shi (JP)

* cited by examiner

(**) Term: **14 Years**

Primary Examiner — Caron D Veynar
Assistant Examiner — Katrina Kile

(21) Appl. No.: **29/368,646**

(74) *Attorney, Agent, or Firm* — Finnegan, Henderson, Farabow, Garrett & Dunner, LLP

(22) Filed: **Aug. 26, 2010**

(57) **CLAIM**

The ornamental design for an instrument panel for an automobile, as shown and described.

(51) **LOC (9) Cl.** **12-16**

(52) **U.S. Cl.** **D12/192**

(58) **Field of Classification Search** D12/192,
D12/415, 110, 114; 280/750-752; 180/90;
296/70, 191, 190.01-190.09; D15/28, 17;
D10/122-127, 102-103, 98, 46
See application file for complete search history.

DESCRIPTION

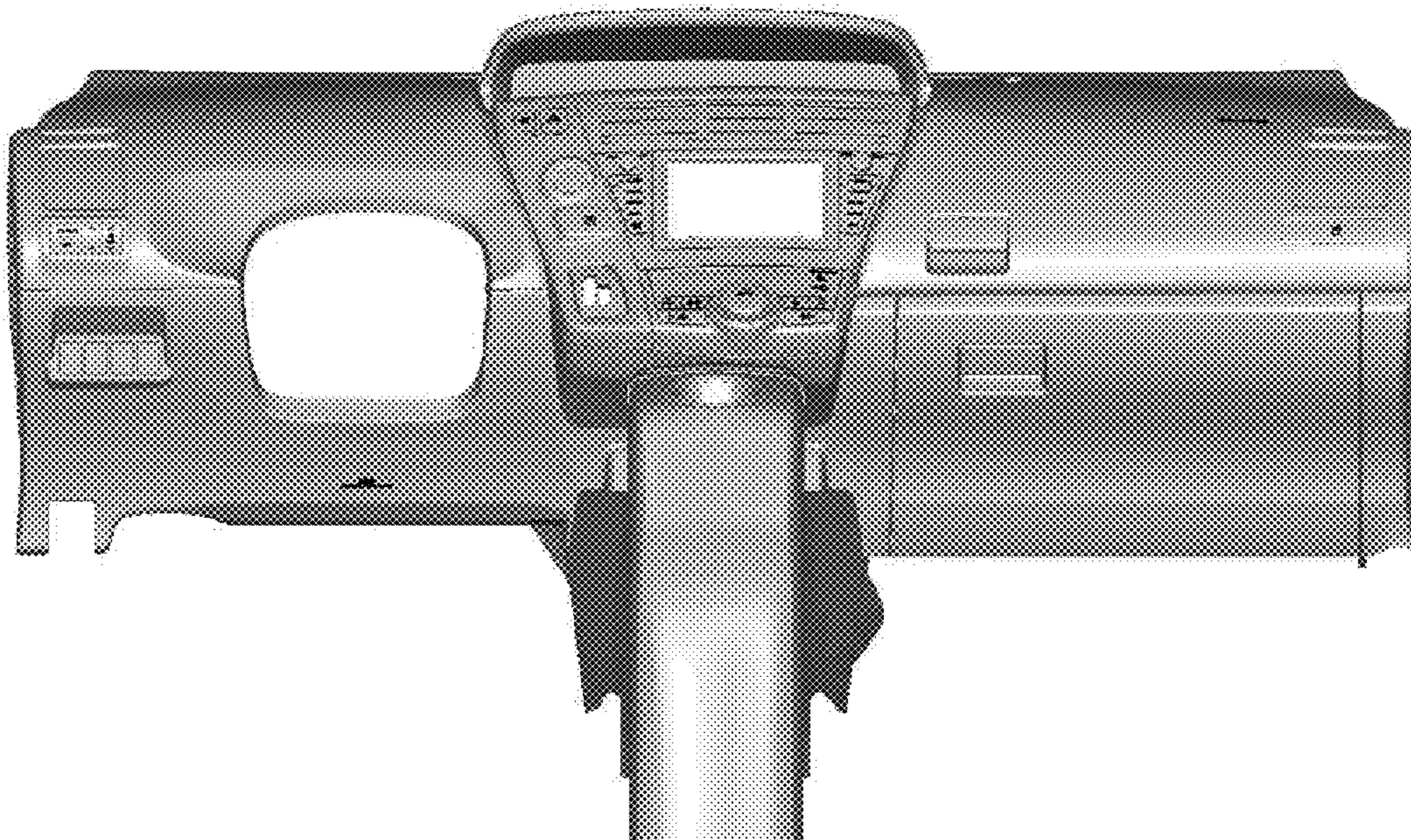
FIG. 1 is a front perspective view of an instrument panel for an automobile of my new design;
FIG. 2 is a top plan view thereof;
FIG. 3 is a bottom plan view thereof;
FIG. 4 is a front view thereof;
FIG. 5 is a left side view thereof; and,
FIG. 6 is a right side view thereof.
The second embodiment is a mirror image of the instrument panel for automobile as shown in FIGS. 1-6.

(56) **References Cited**

U.S. PATENT DOCUMENTS

3,876,228 A * 4/1975 Hawkins et al. 280/752
D285,915 S * 9/1986 Luthe et al. D12/192
5,951,045 A * 9/1999 Almfelt et al. 280/748

1 Claim, 6 Drawing Sheets



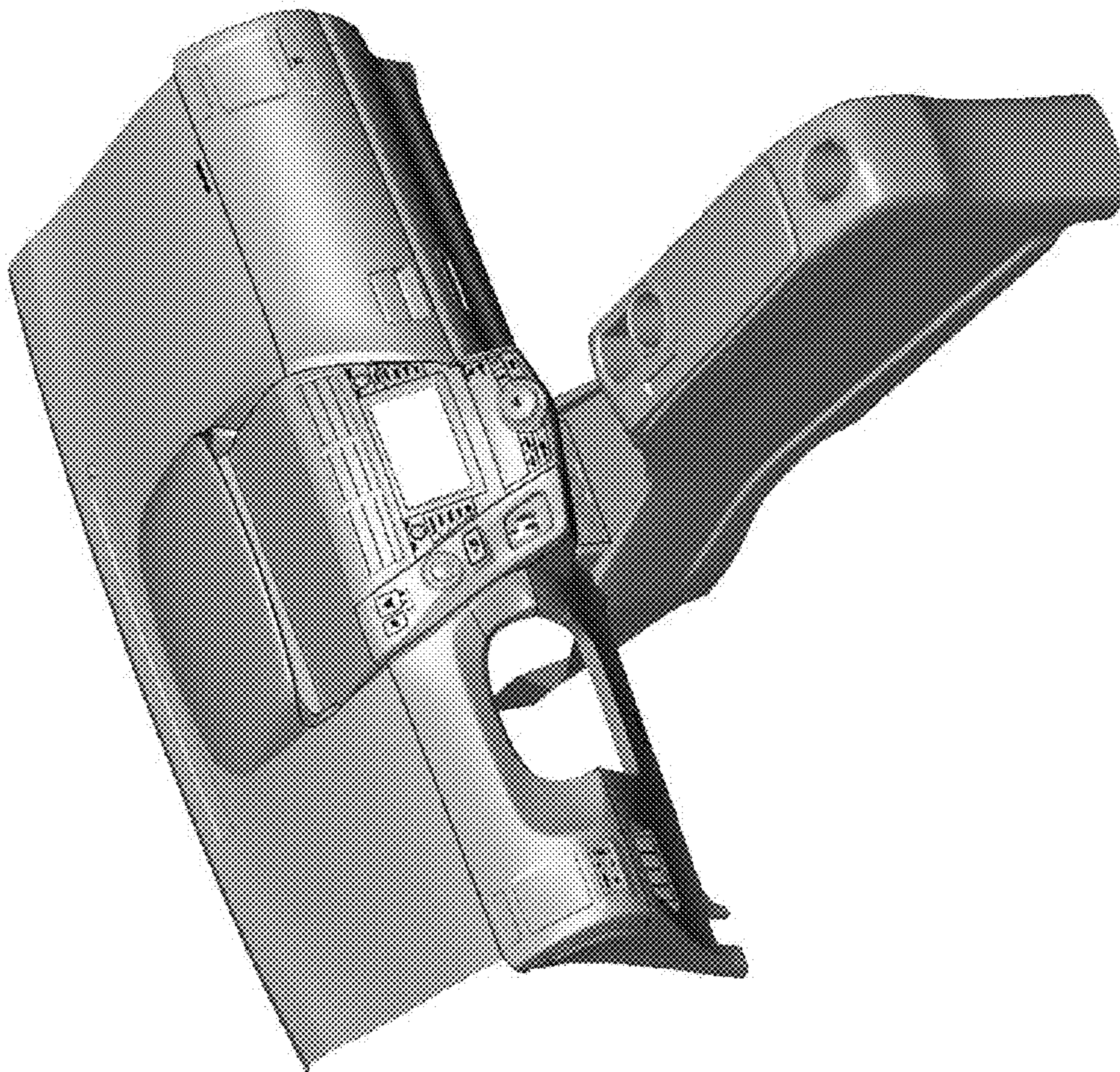


FIG. 1



FIG. 2

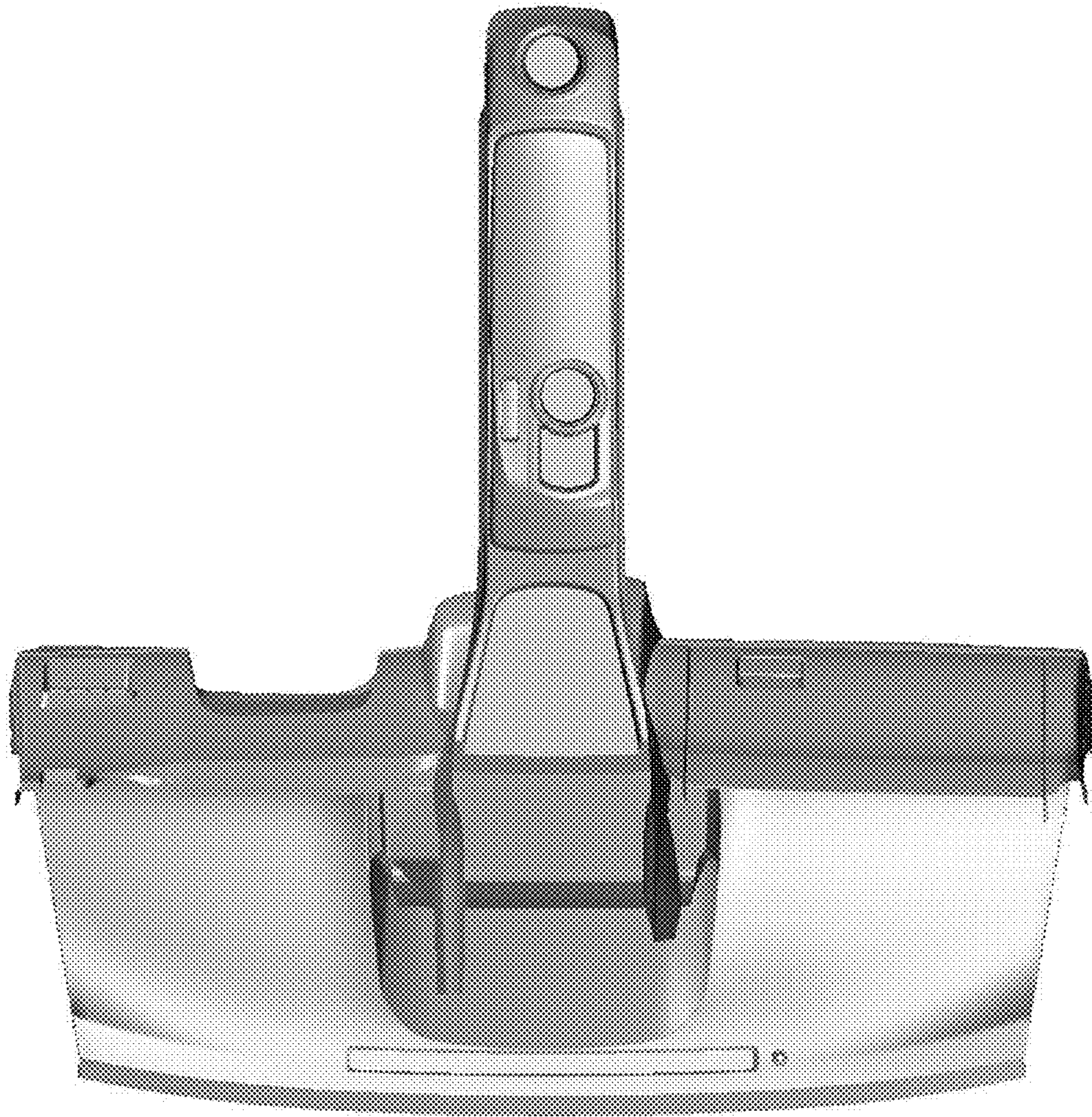


FIG. 3

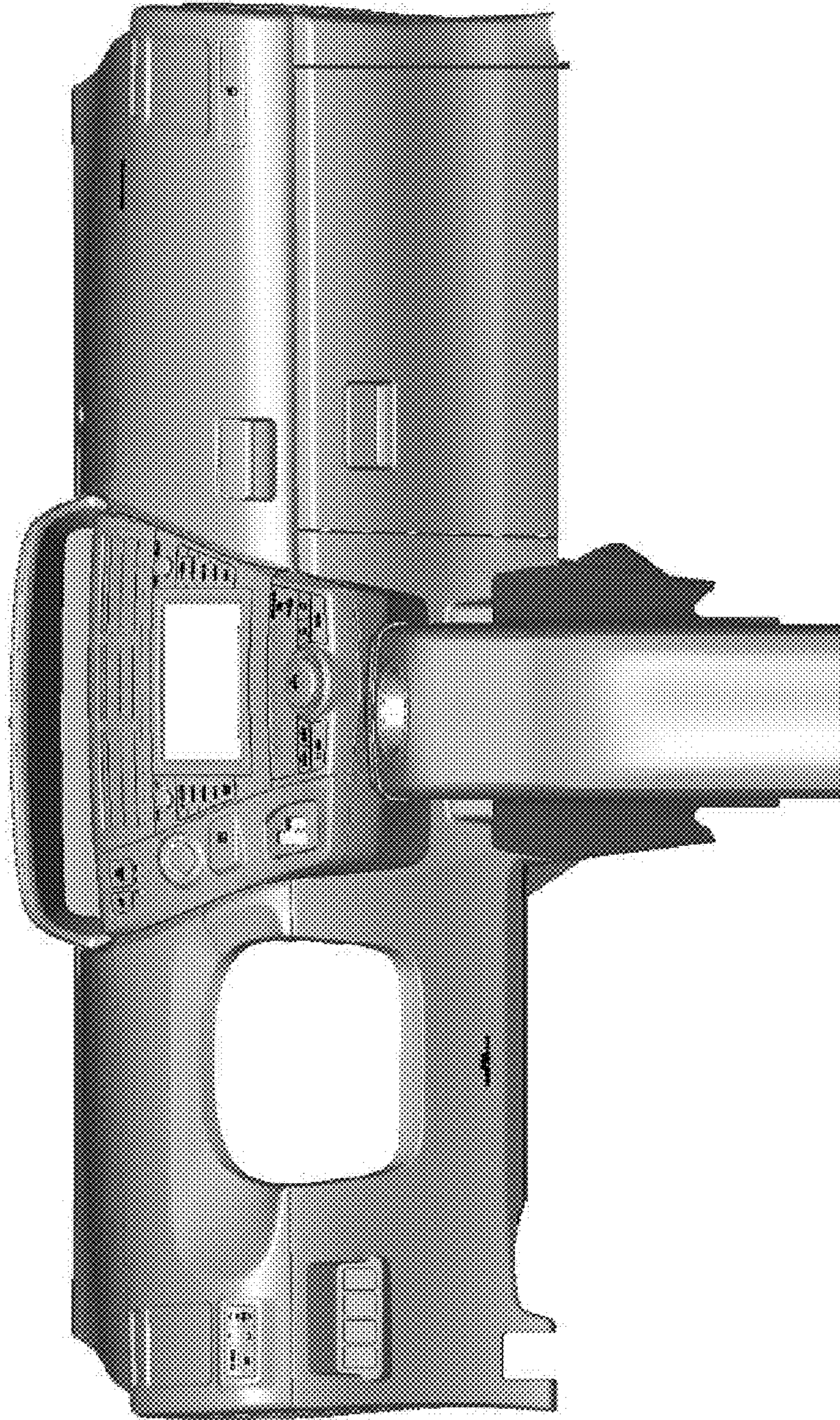


FIG. 4

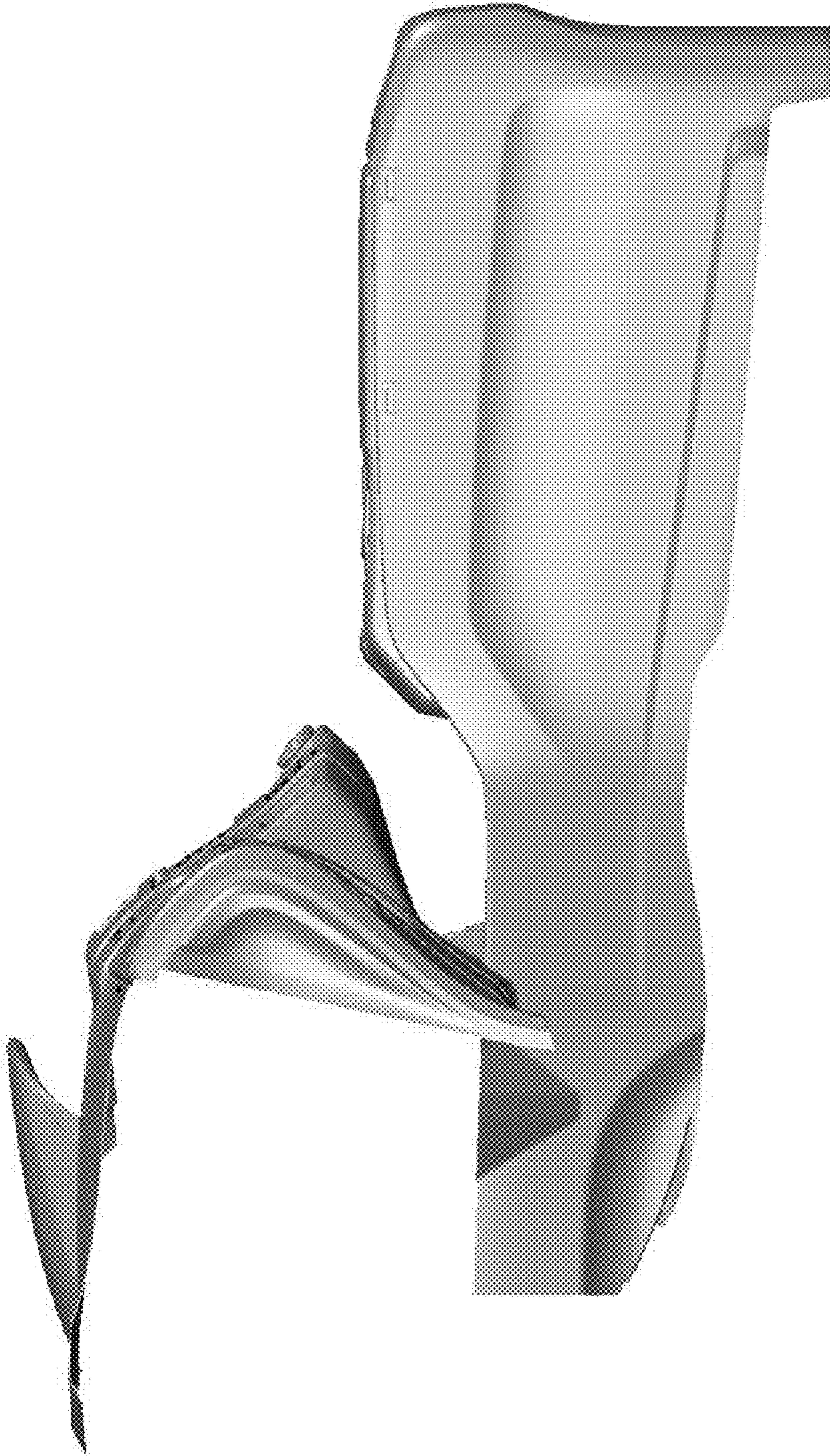


FIG. 5

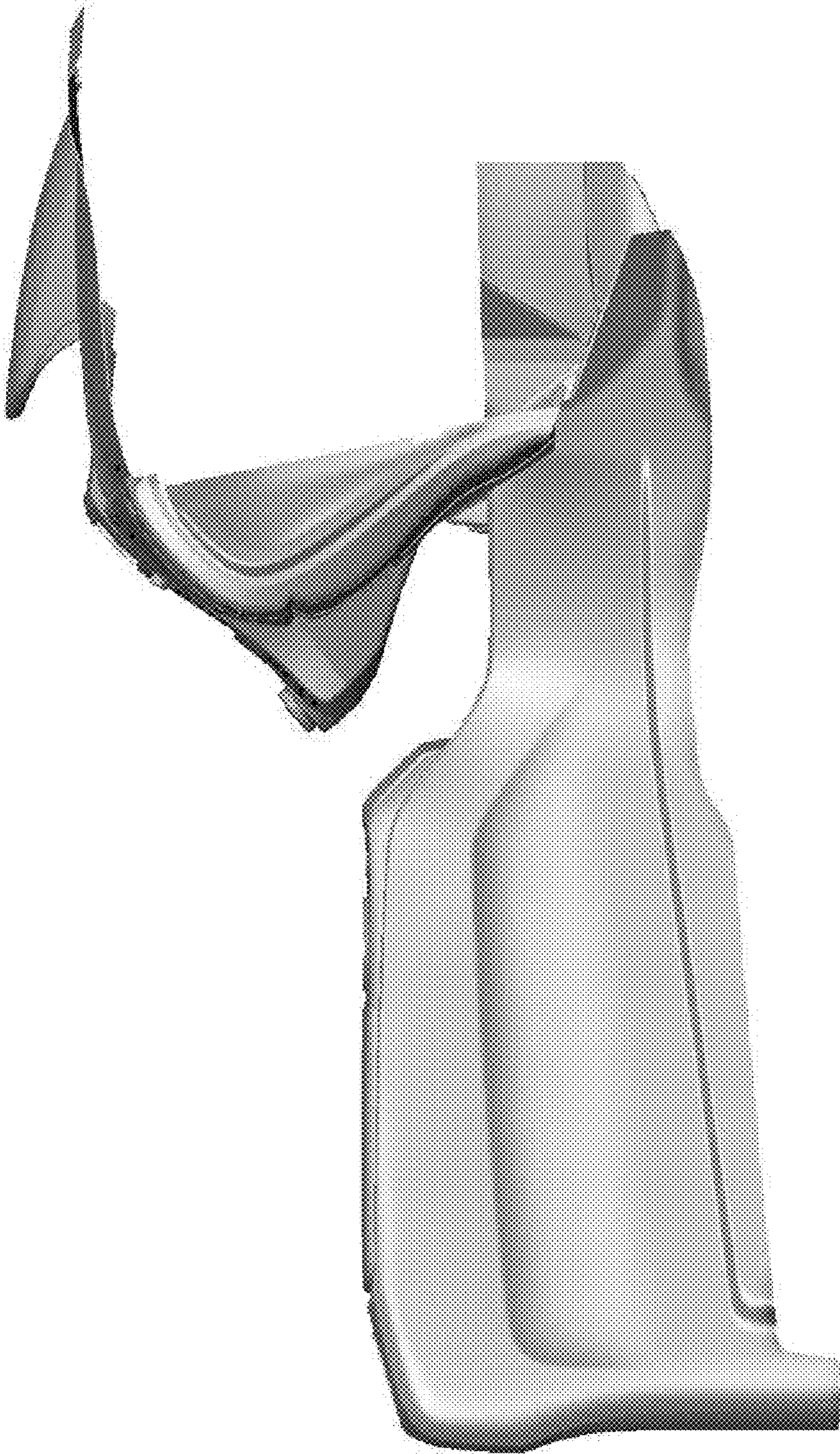


FIG. 6