



US00D642102S

(12) **United States Design Patent**
Scott

(10) **Patent No.:** **US D642,102 S**
(45) **Date of Patent:** **** Jul. 26, 2011**

(54) **DOUBLE FENDER**

(75) Inventor: **David Peter Scott**, Brantford (CA)

(73) Assignee: **Fontaine Spray Suppression Co.**,
Springfield, TN (US)

(**) Term: **14 Years**

(21) Appl. No.: **29/334,712**

(22) Filed: **Mar. 31, 2009**

(51) **LOC (9) Cl.** **12-16**

(52) **U.S. Cl.** **D12/184**

(58) **Field of Classification Search** 280/152.1,
280/847-849, 851; 296/181.1, 181.5

See application file for complete search history.

(56) **References Cited**

U.S. PATENT DOCUMENTS

5,613,710	A	3/1997	Waner	
6,354,625	B1	3/2002	Lambertus	
6,592,147	B2	7/2003	Lambertus	
6,802,517	B1	10/2004	Wuthrich	
D505,896	S *	6/2005	Devitt	D12/184
D524,202	S *	7/2006	Devitt	D12/184
7,073,804	B2	7/2006	Hawes	
7,469,929	B2	12/2008	Viens	

D591,654	S *	5/2009	Williams et al.	D12/184
D591,658	S *	5/2009	Golden et al.	D12/184
D593,466	S *	6/2009	Williams et al.	D12/184
D597,005	S *	7/2009	Golden et al.	D12/184
D597,006	S *	7/2009	Golden et al.	D12/184
D603,772	S *	11/2009	Golden et al.	D12/184
2007/0057536	A1	3/2007	Longchamp	

* cited by examiner

Primary Examiner — Melody N Brown

(74) *Attorney, Agent, or Firm* — Angela Holt; Lanier Ford Shaver & Payne, P.C.

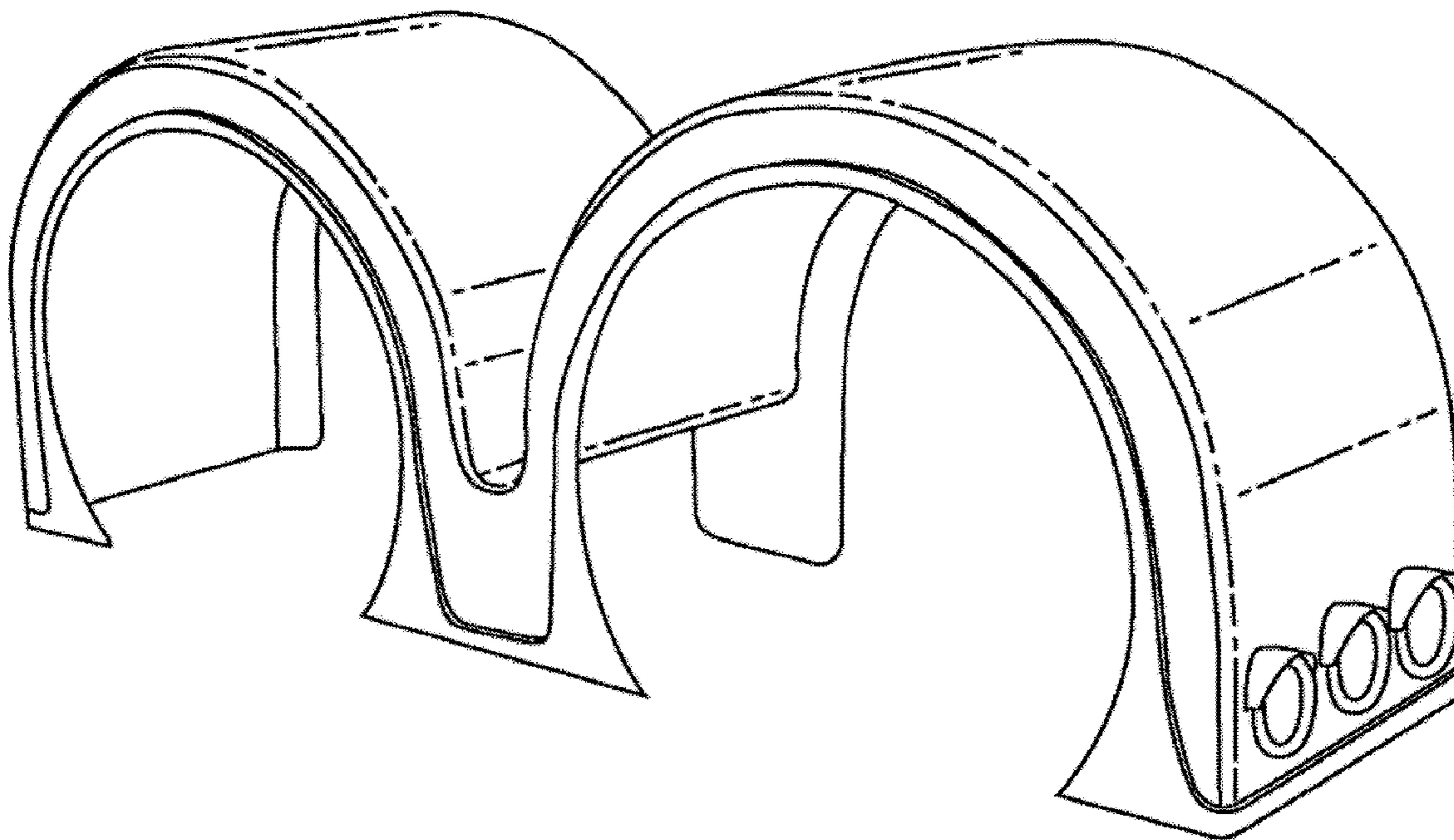
(57) **CLAIM**

I claim the ornamental design for a double fender, as shown and described herein.

DESCRIPTION

FIG. 1 is a top, front and side perspective view of a double fender showing my new design;
 FIG. 2 is a side elevation view thereof;
 FIG. 3 is a top and front perspective view thereof;
 FIG. 4 is a top, rear and opposite side perspective view thereof;
 FIG. 5 is an enlarged fragmentary inner detail perspective view taken along detail circular line A in FIG. 4; and,
 FIG. 6 is an opposite side elevation view thereof.

1 Claim, 3 Drawing Sheets



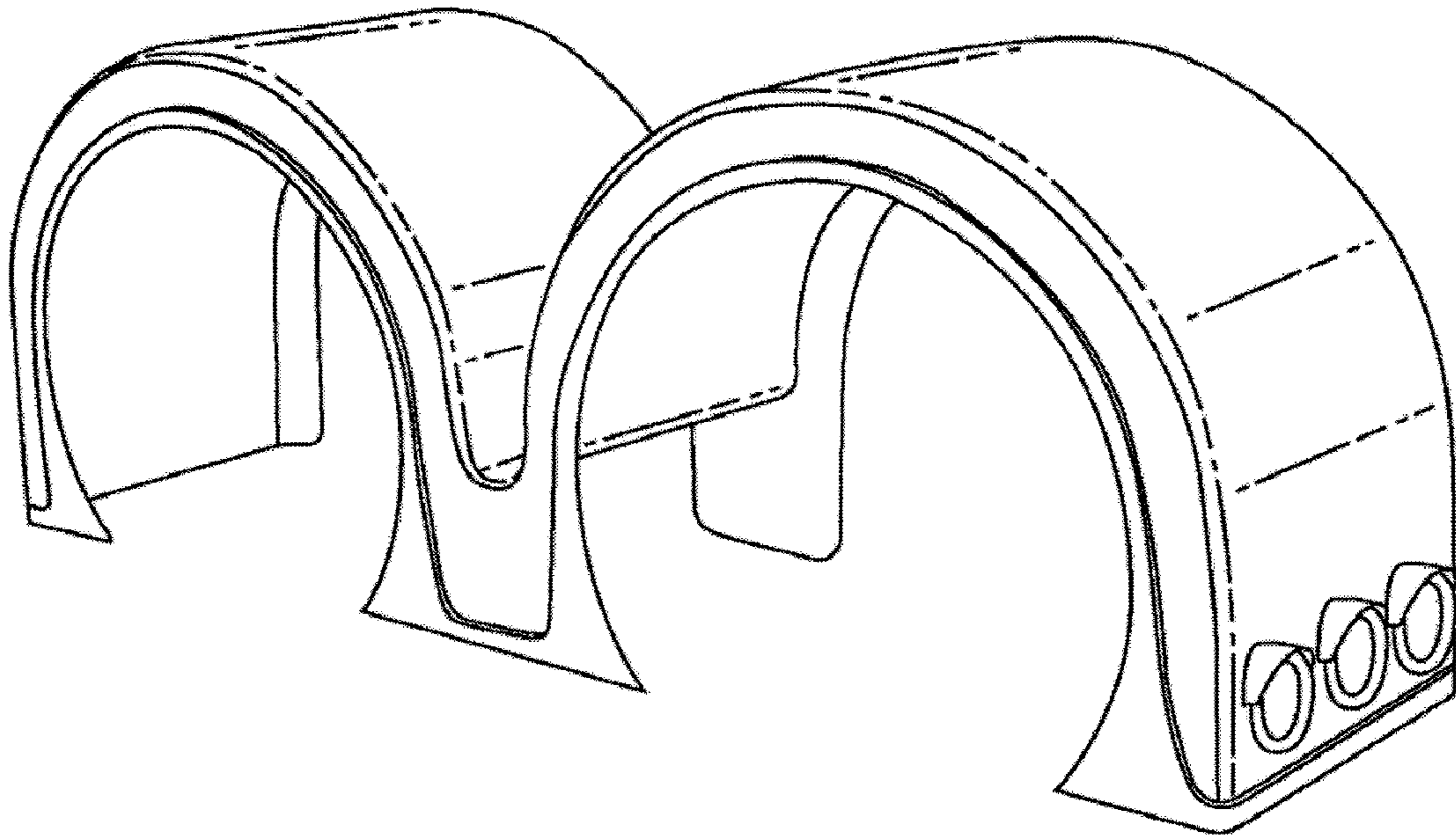


Fig. 1

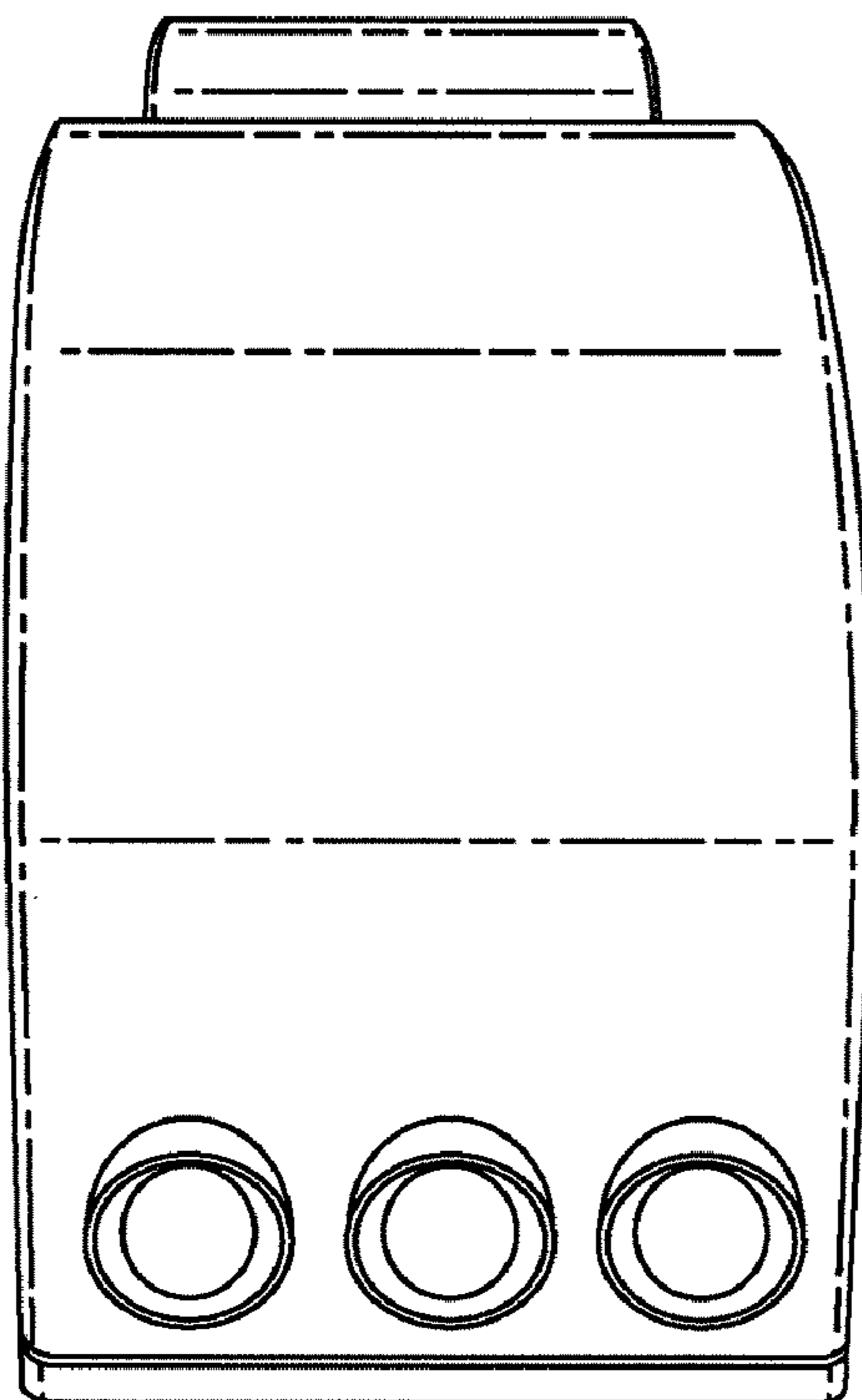


Fig. 2

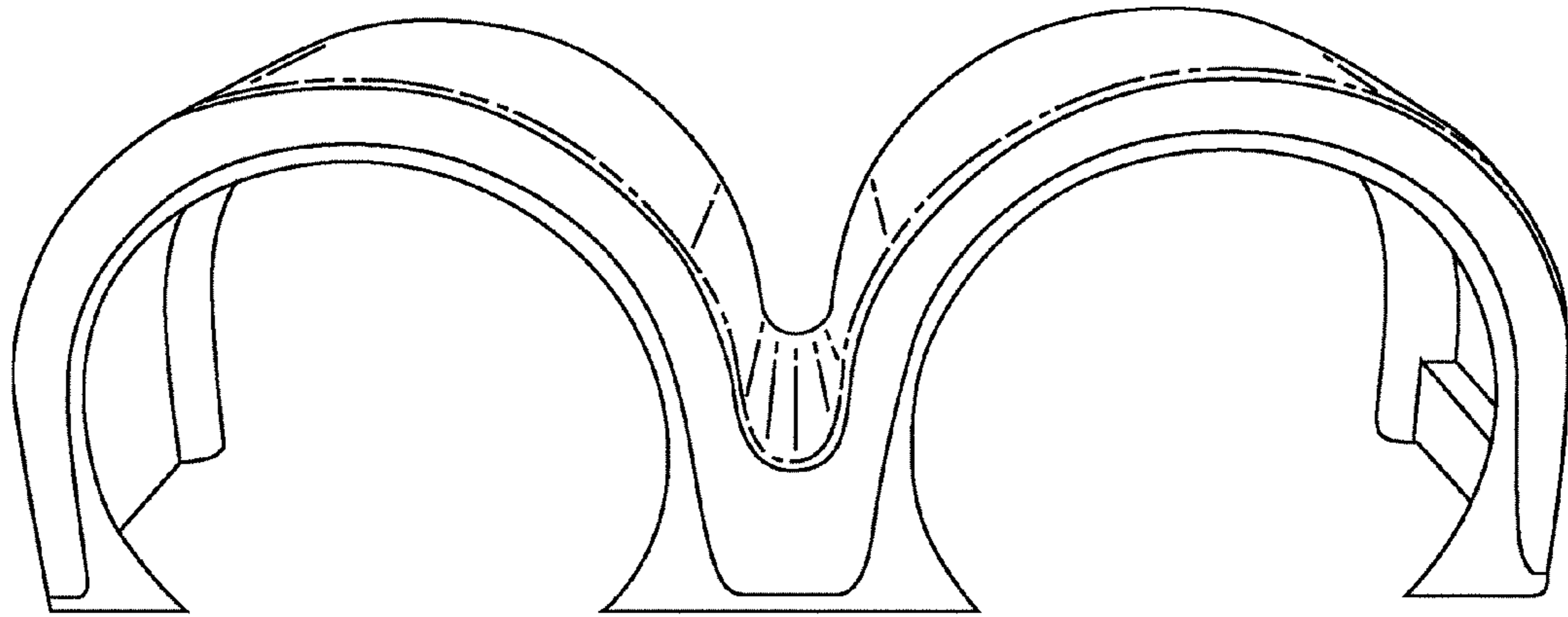


Fig. 3

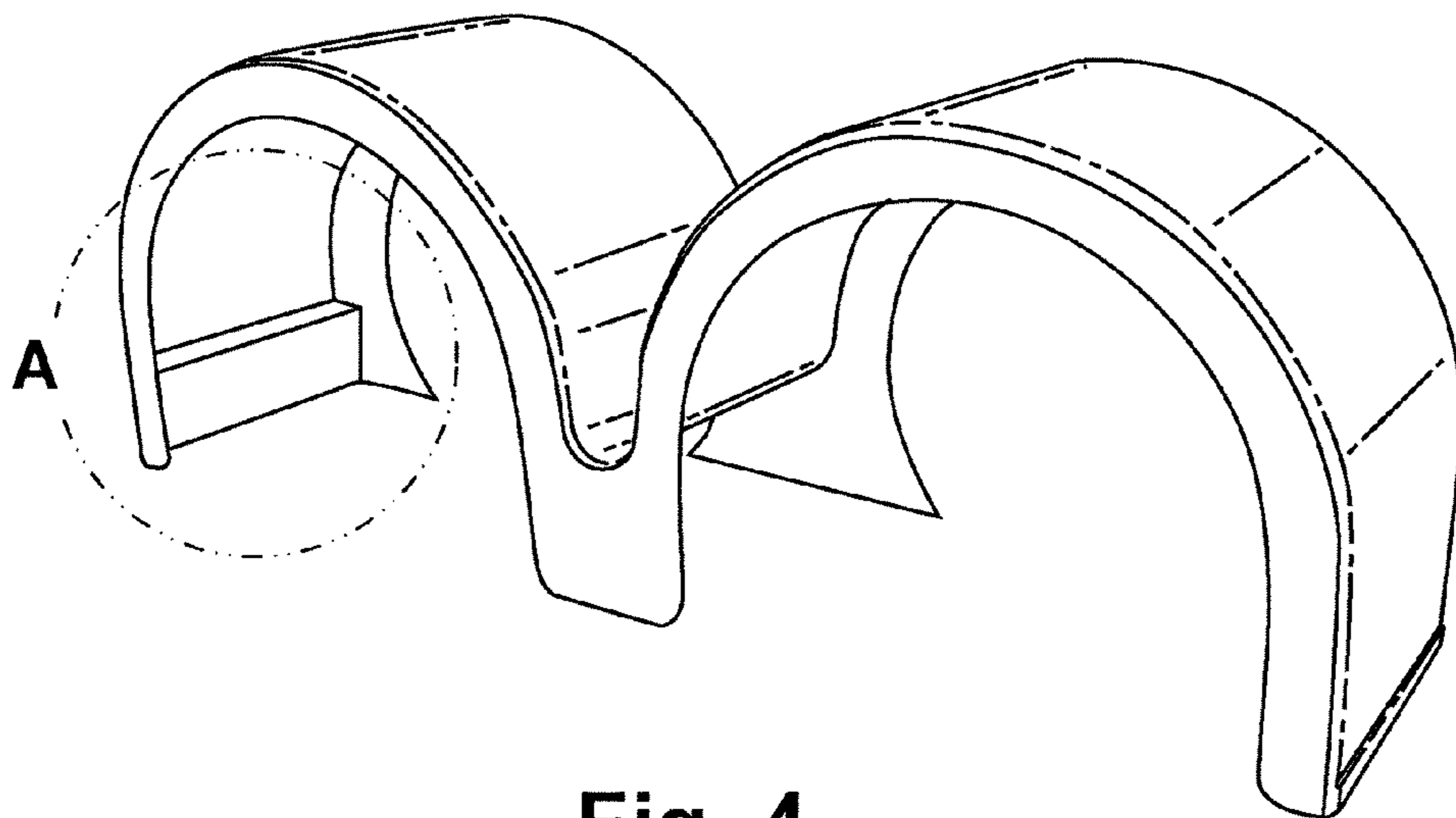


Fig. 4

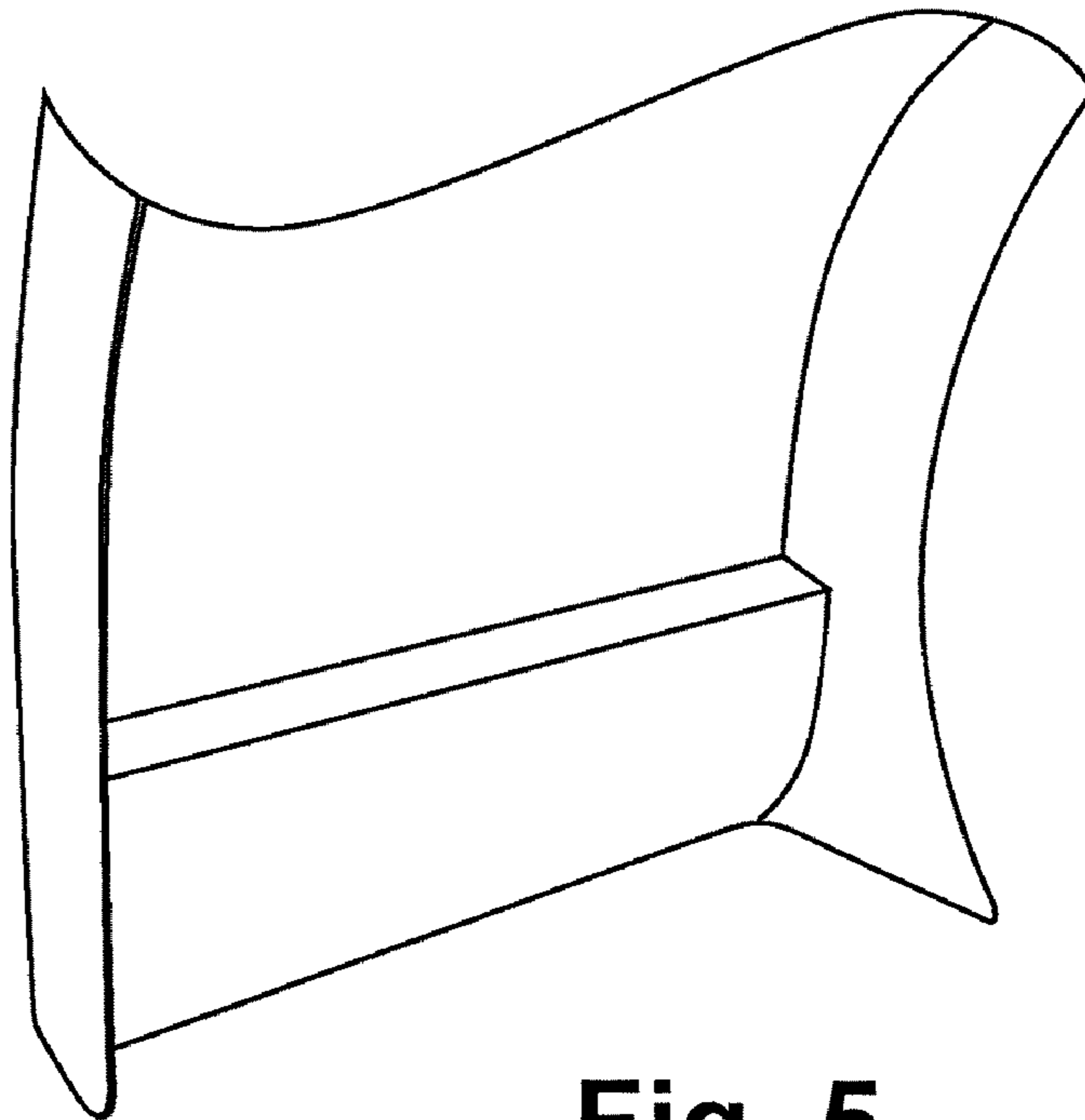


Fig. 5
(Detail A)

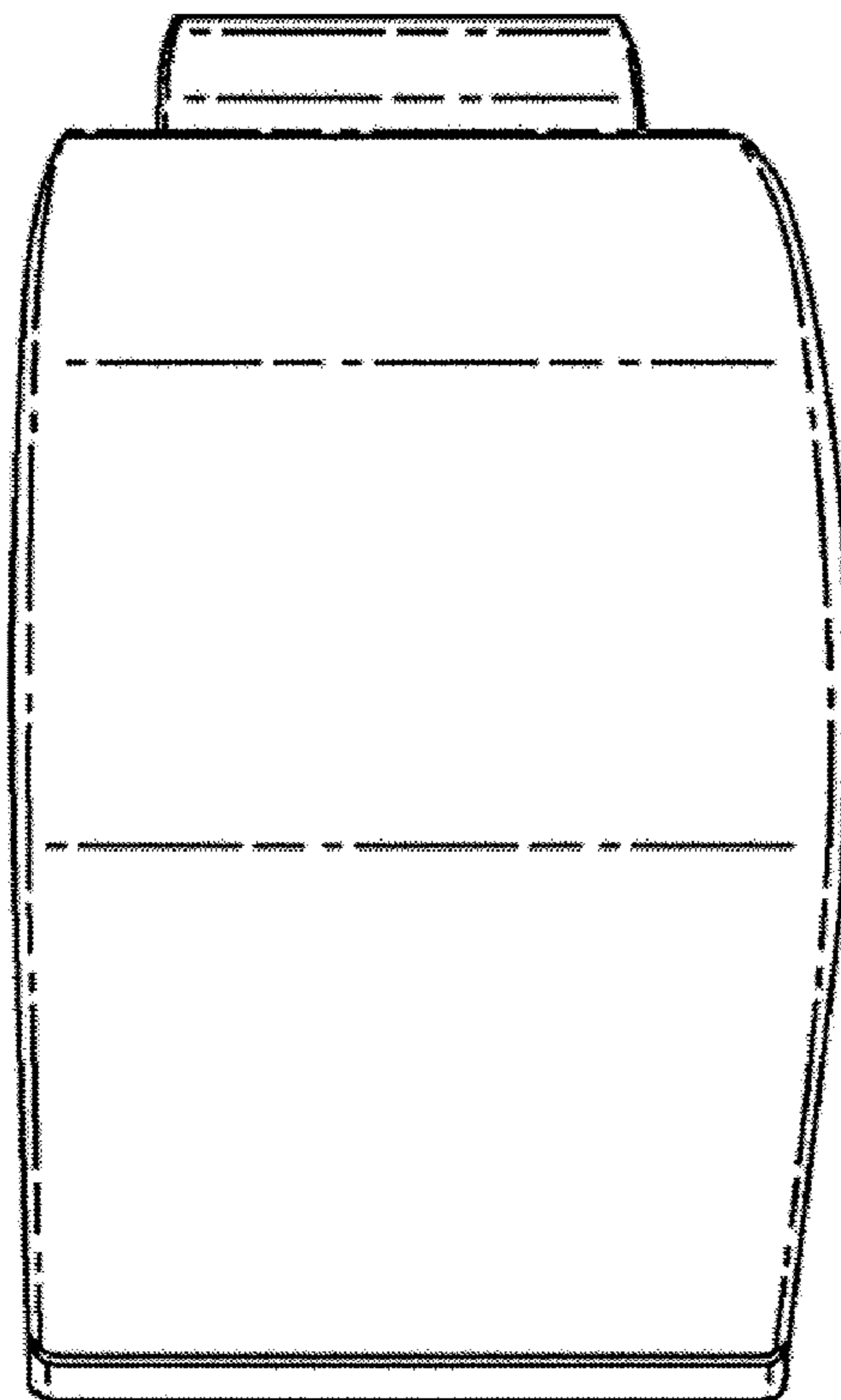


Fig. 6