



US00D642100S

(12) **United States Design Patent**
Crippa et al.

(10) **Patent No.:** **US D642,100 S**

(45) **Date of Patent:** **** Jul. 26, 2011**

(54) **CALIPERS FOR DISC BRAKE**

(75) Inventors: **Cristian Crippa**, Bergamo (IT); **Paolo Cesani**, Bergamo (IT); **Massimo Preda**, Bergamo (IT)

(73) Assignee: **Freni Brembo S.p.A.** (IT)

(**) Term: **14 Years**

(21) Appl. No.: **29/375,953**

(22) Filed: **Sep. 30, 2010**

(51) **LOC (9) Cl.** **12-16**

(52) **U.S. Cl.** **D12/180**

(58) **Field of Classification Search** D12/180;

188/71.1, 73.3, 73.31–73.39, 72.2, 72.4,
188/73.41–73.46, 218 XL, 370, 1.11 W, 264 A,
188/264 AA

See application file for complete search history.

(56) **References Cited**

U.S. PATENT DOCUMENTS

6,478,121	B2	*	11/2002	Reeves	188/73.31
D527,321	S	*	8/2006	Gherardi et al.	D12/180
D555,555	S	*	11/2007	Ikuzawa et al.	D12/180
D556,103	S	*	11/2007	Morimoto	D12/180
D588,513	S	*	3/2009	Crippa et al.	D12/180

D607,793	S	*	1/2010	Maroni et al.	D12/180
D610,507	S	*	2/2010	Azimonti	D12/180
D619,063	S	*	7/2010	Veneziano et al.	D12/180
D623,102	S	*	9/2010	Gherardi et al.	D12/180

* cited by examiner

Primary Examiner — Melody N Brown

(74) *Attorney, Agent, or Firm* — Cantor Colburn LLP

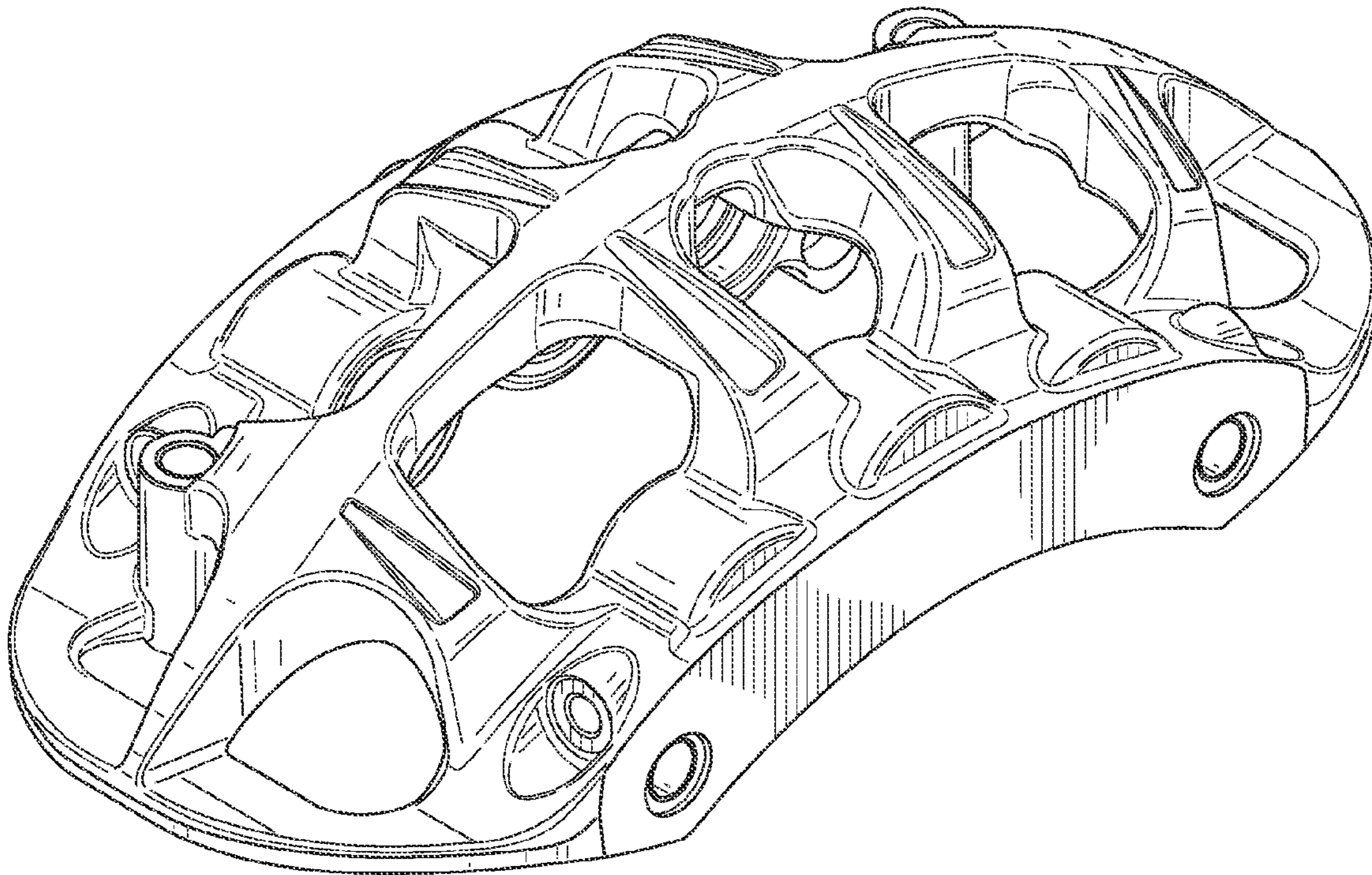
(57) **CLAIM**

I claim, the ornamental design for a calipers for disc brake, as shown and described.

DESCRIPTION

FIG. 1 is a front and top perspective view of a calipers for disc brake, showing our new design;
 FIG. 2 is a rear and top perspective view thereof;
 FIG. 3 is a front and bottom perspective view thereof;
 FIG. 4 is a front elevation view thereof;
 FIG. 5 is a rear elevation view thereof;
 FIG. 6 is a side elevation view thereof taken from the right of FIG. 4;
 FIG. 7 is a side elevation view thereof taken from the left of FIG. 4;
 FIG. 8 is a top plan view thereof; and,
 FIG. 9 is a bottom plan view thereof.

1 Claim, 8 Drawing Sheets



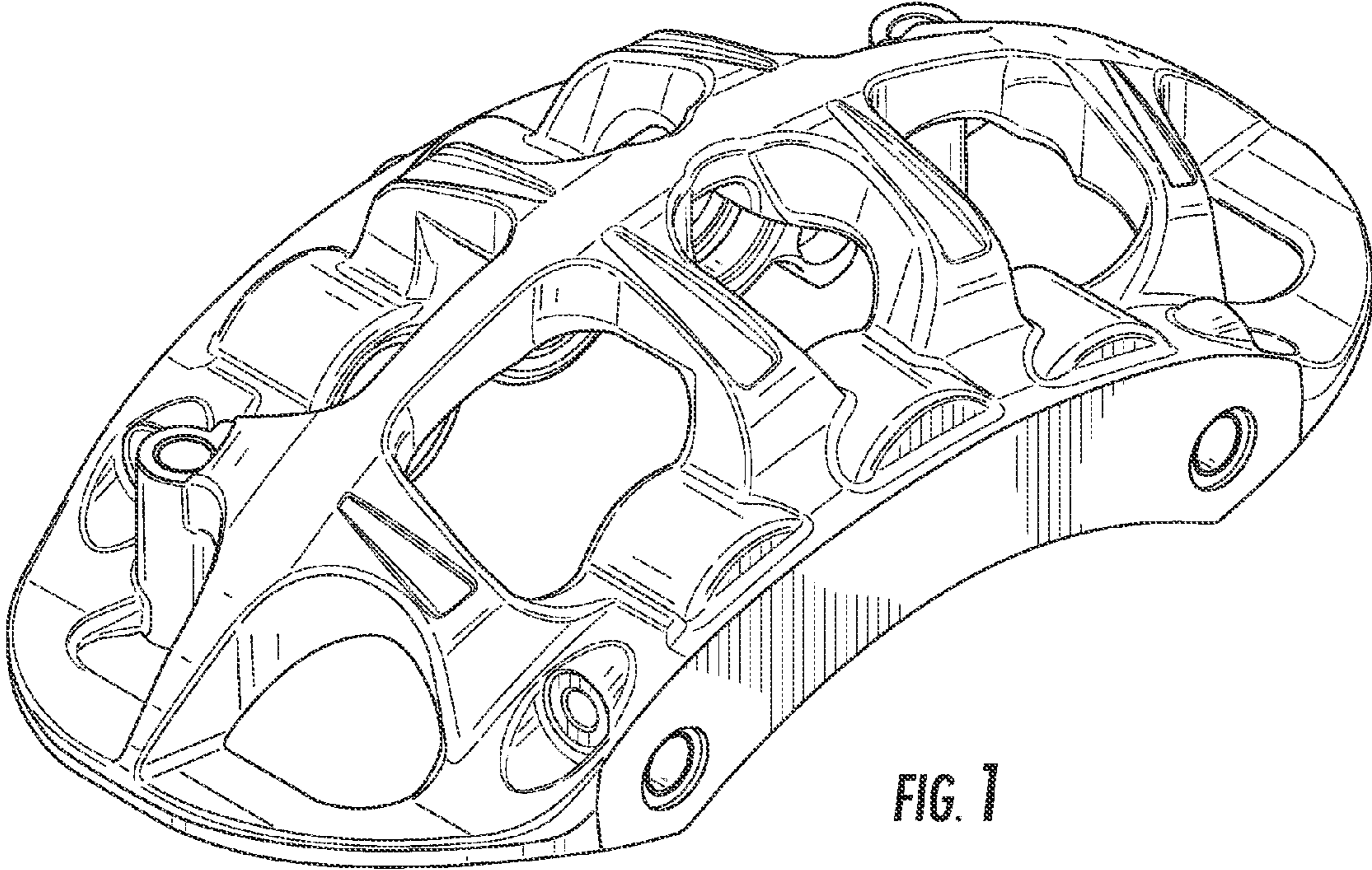
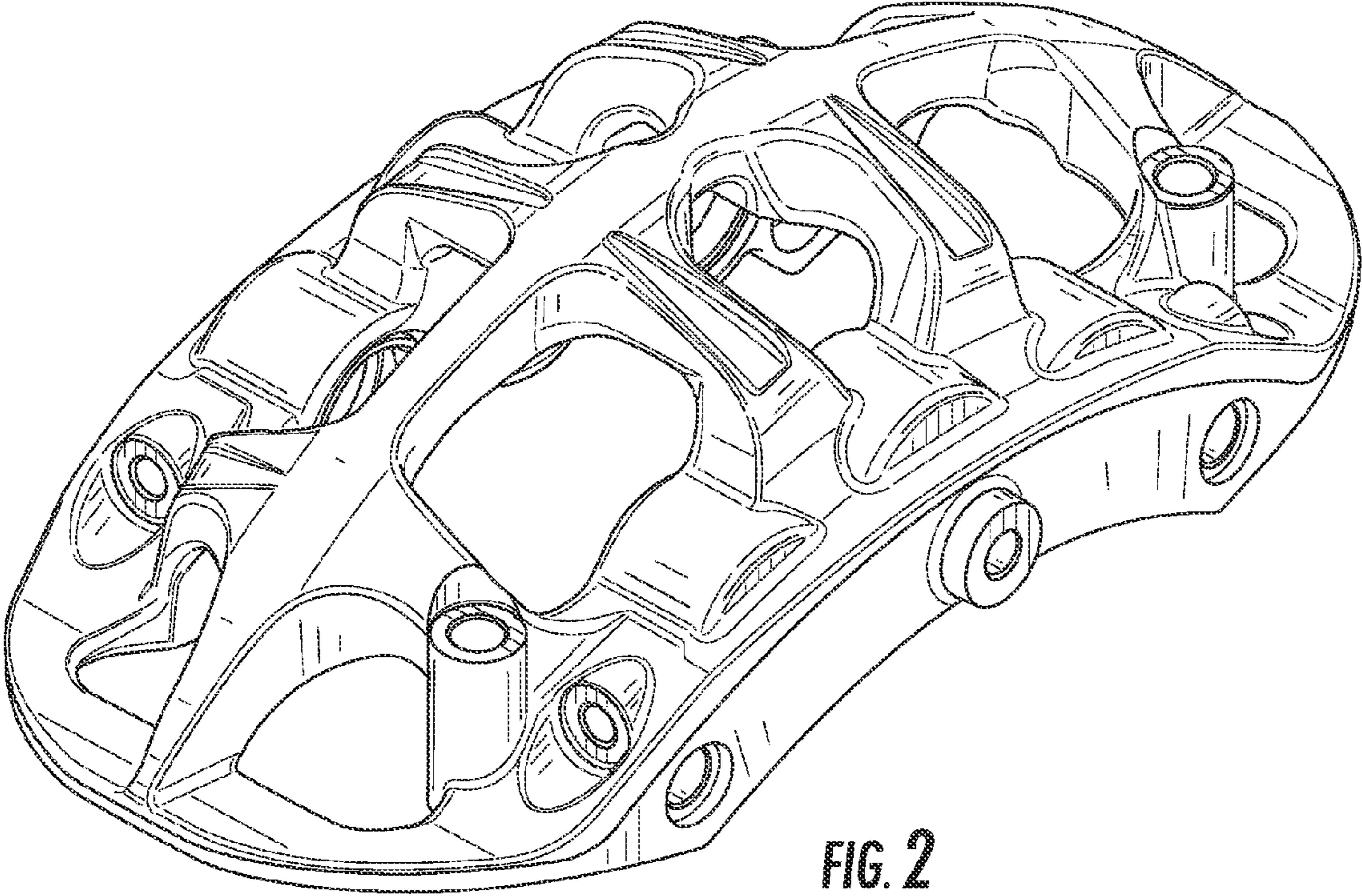


FIG. 1



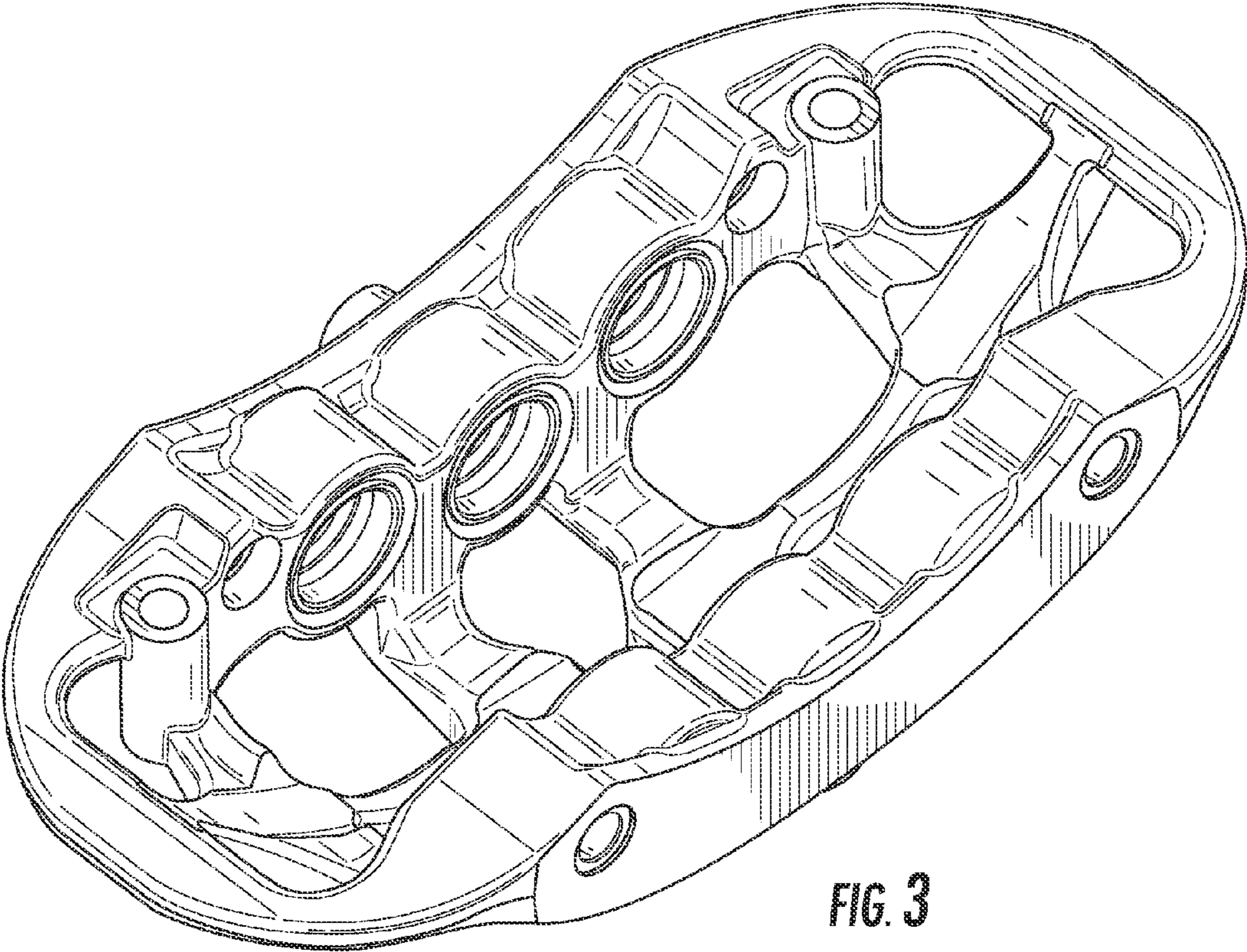


FIG. 3

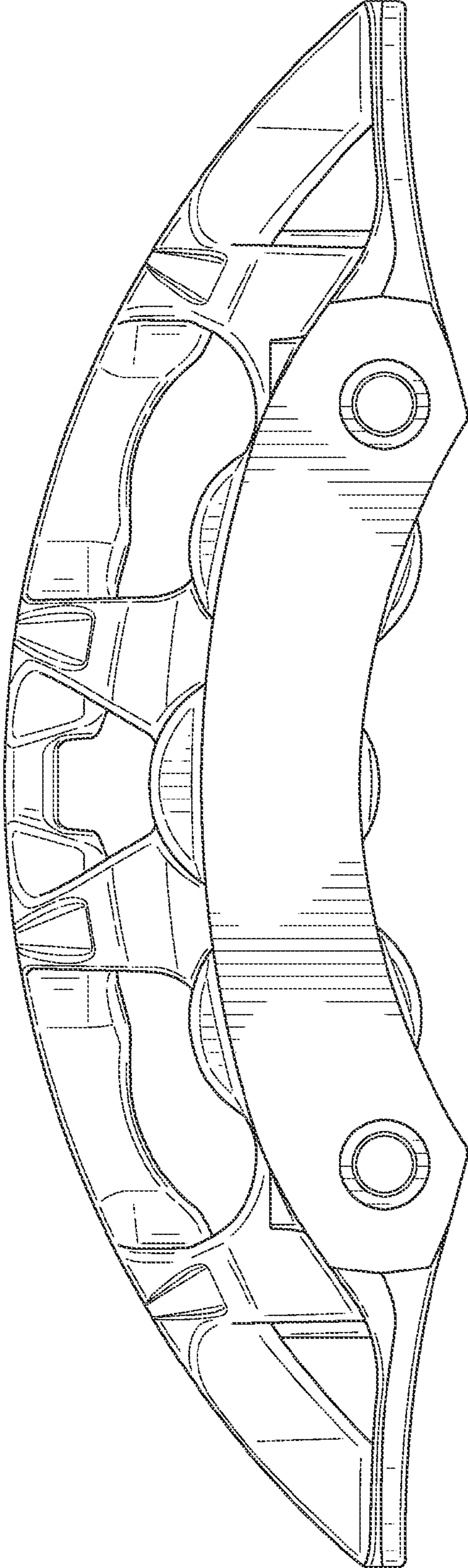


FIG. 4

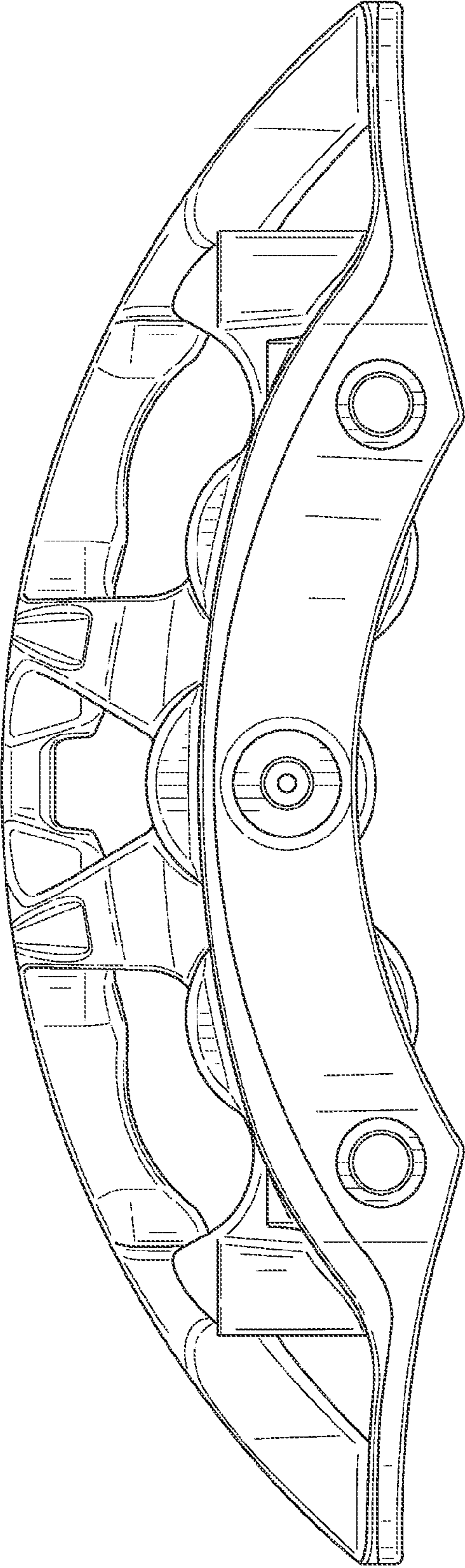


FIG. 5

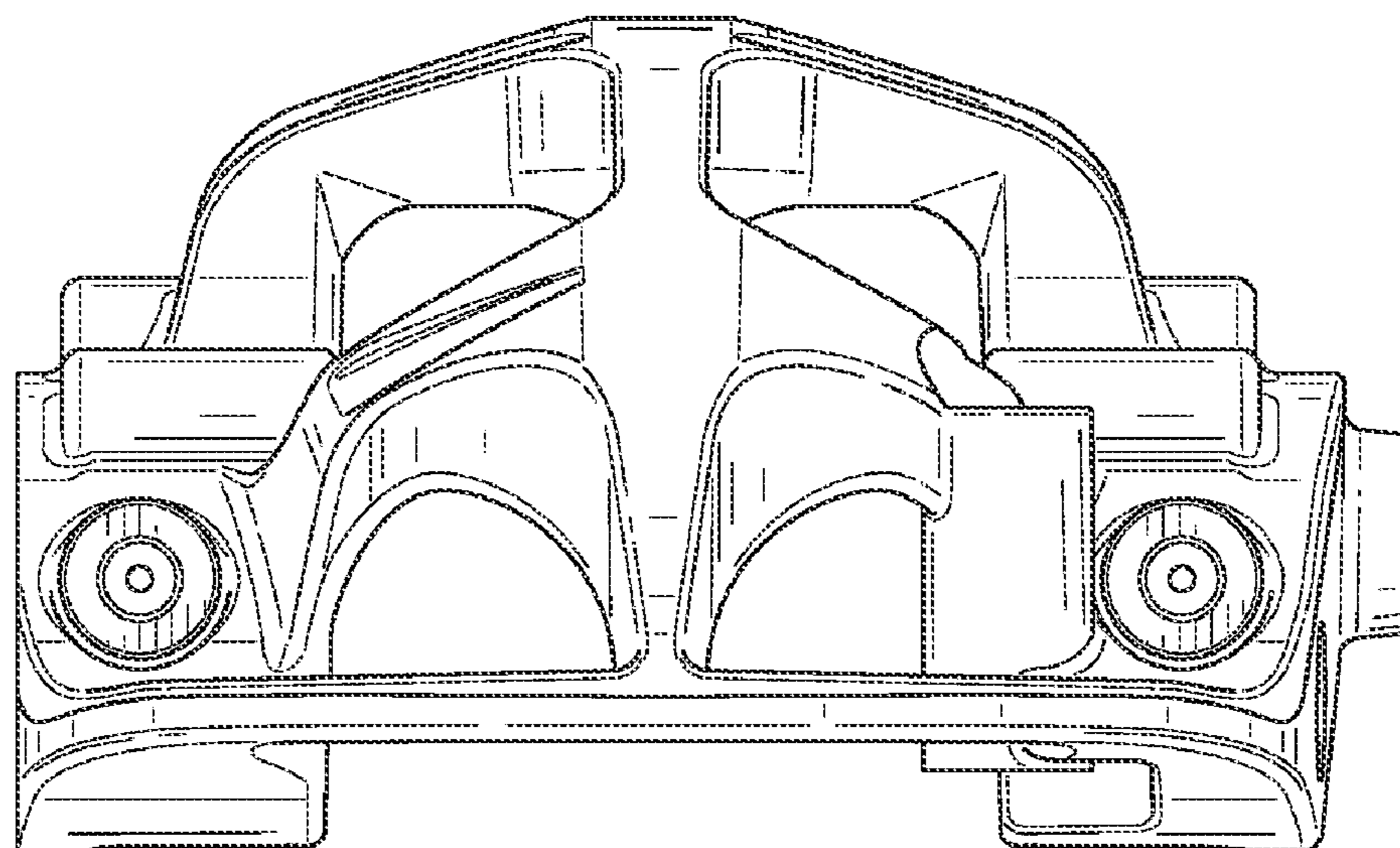


FIG. 6

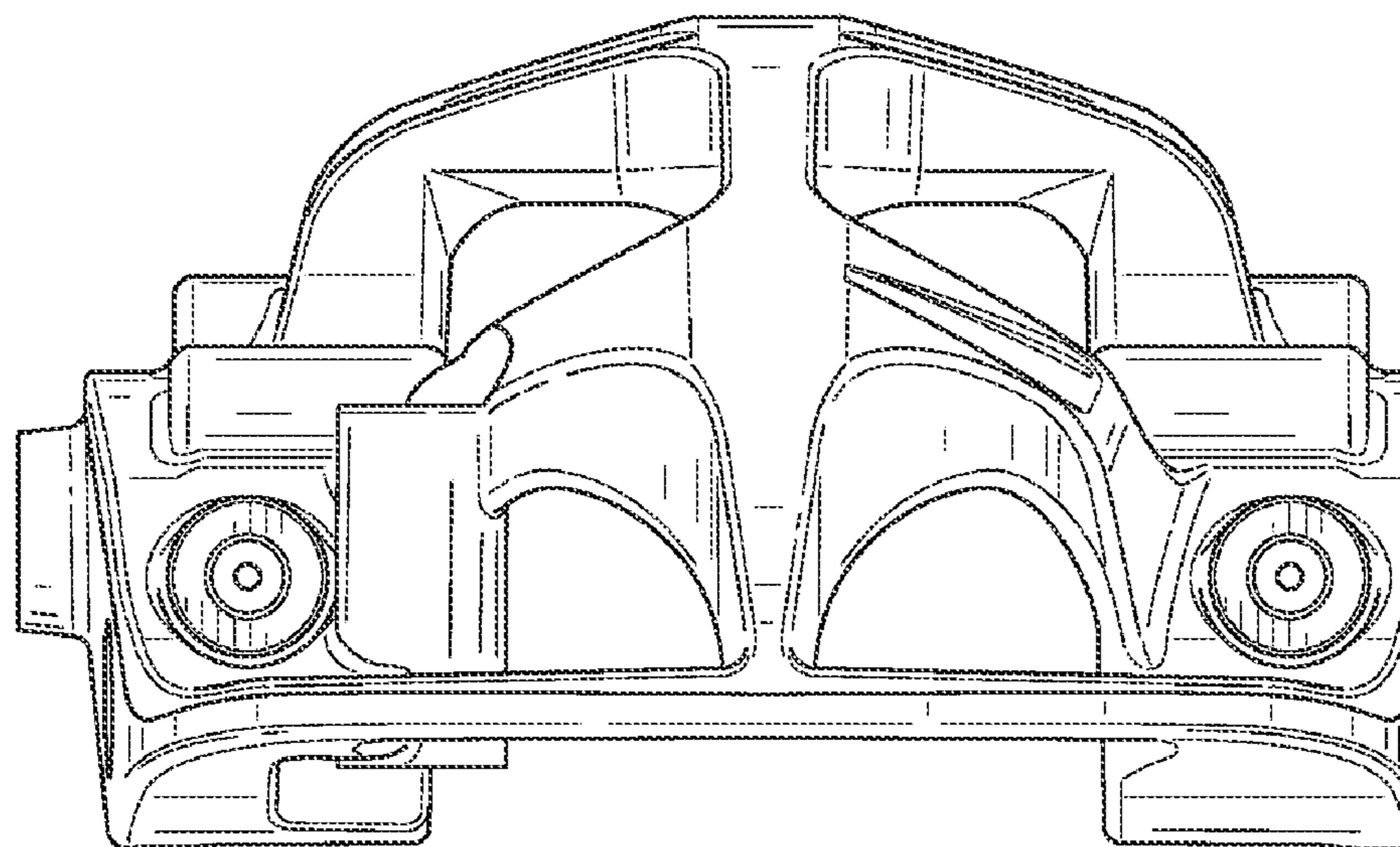


FIG. 7

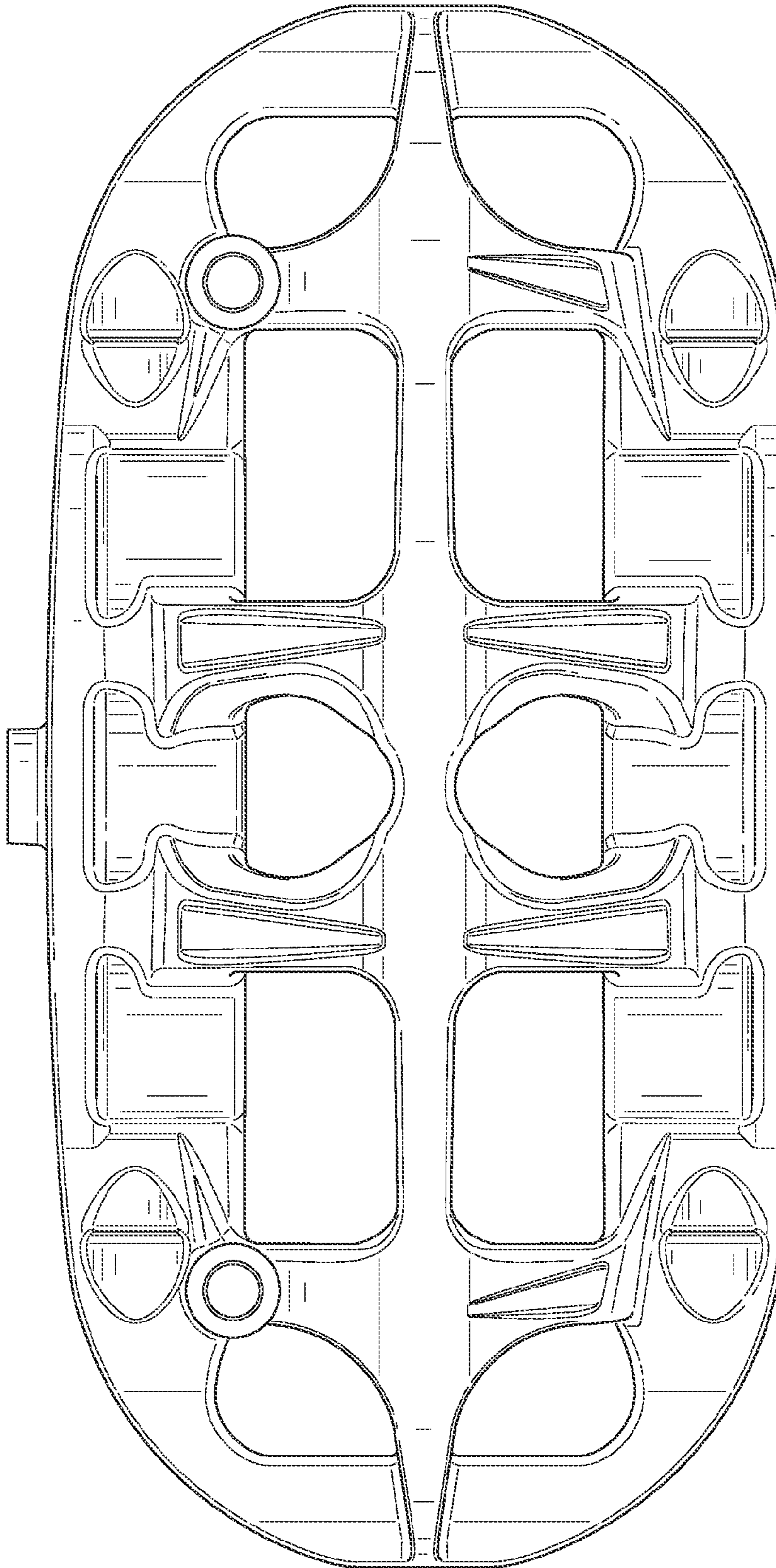


FIG. 8

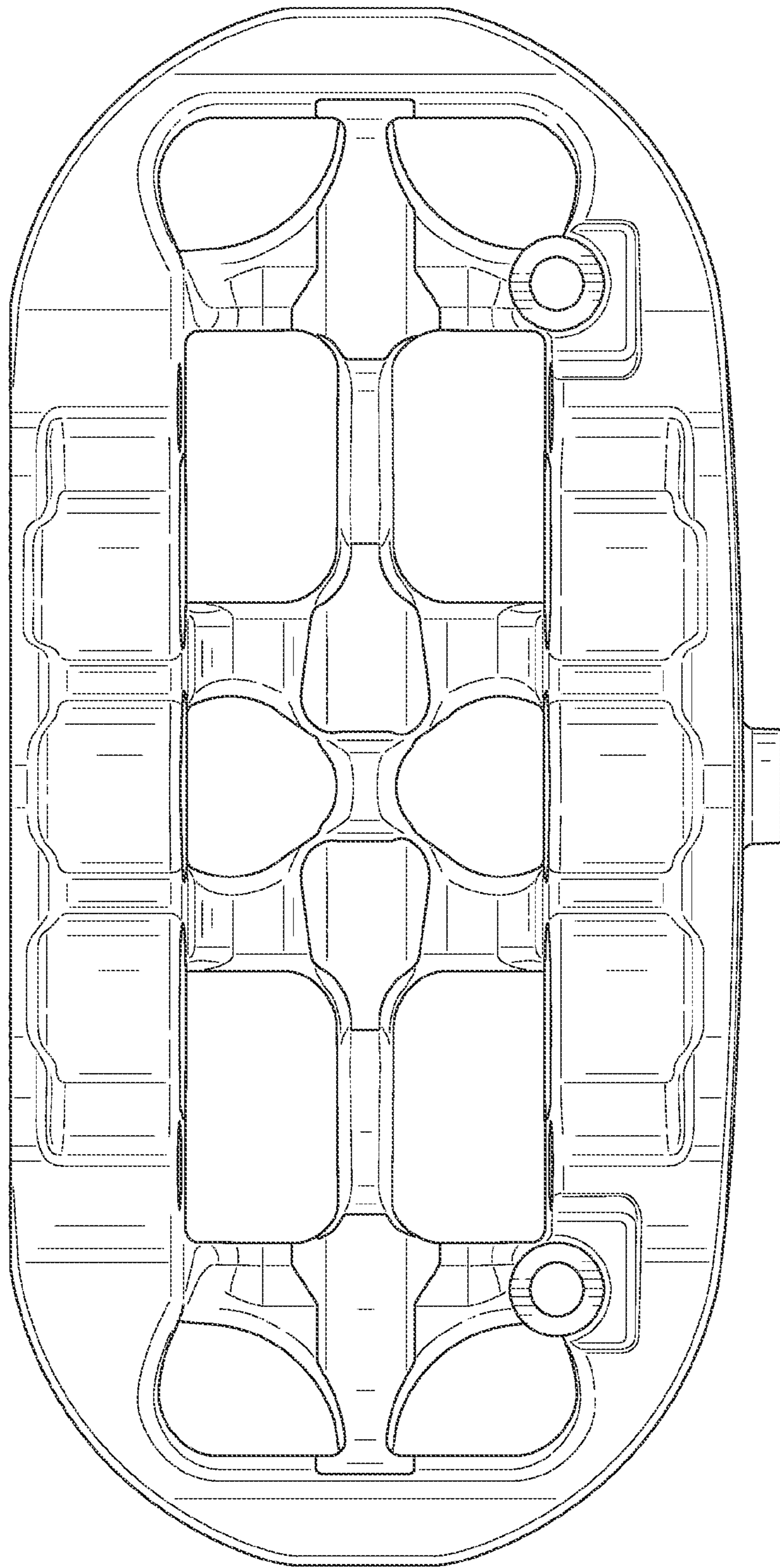


FIG. 9

UNITED STATES PATENT AND TRADEMARK OFFICE
CERTIFICATE OF CORRECTION

PATENT NO. : D642,100 S
APPLICATION NO. : 29/375953
DATED : July 26, 2011
INVENTOR(S) : Cristian Crippa

Page 1 of 1

It is certified that error appears in the above-identified patent and that said Letters Patent is hereby corrected as shown below:

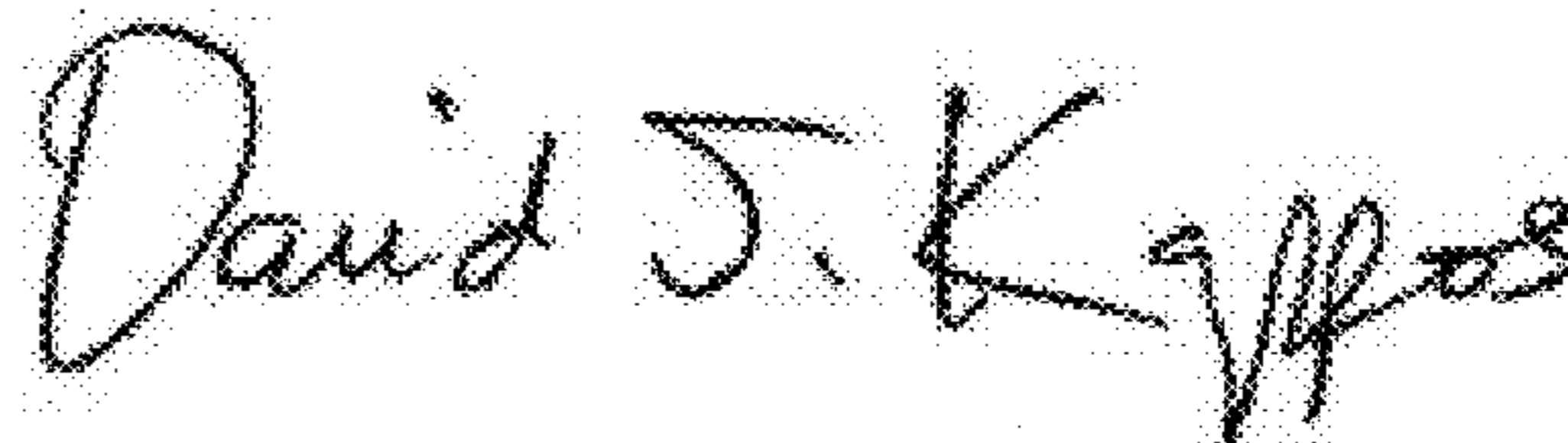
Title page, item [30]

Insert:

--Foreign Application Priority Data

March 31, 2010 (EU).....001689134--

Signed and Sealed this
Eighth Day of November, 2011



David J. Kappos
Director of the United States Patent and Trademark Office