



US00D642099S

(12) **United States Design Patent**  
**Nagao et al.**

(10) **Patent No.:** **US D642,099 S**

(45) **Date of Patent:** **\*\* \*Jul. 26, 2011**

(54) **COMBINED GRILLE AND BRUSH GUARD UNIT**

*Primary Examiner* — Melody N Brown

(74) *Attorney, Agent, or Firm* — Ulmer & Berne LLP

(75) Inventors: **Daisuke Nagao**, Gardena, CA (US);  
**Ramon Meneses**, Redondo Beach, CA (US);  
**Jessica Vera**, Long Beach, CA (US);  
**Eric Chin**, Irvine, CA (US);  
**Hiroyuki Miyazaki**, Redondo Beach, CA (US)

(57) **CLAIM**

The ornamental design for a combined grille and brush guard unit, as shown and described.

(73) Assignee: **Honda Motor Company, Ltd.**, Tokyo (JP)

**DESCRIPTION**

(\*\*) Term: **14 Years**

FIG. 1 is a left perspective view of a first embodiment of the combined grille and brush guard unit provided upon a saddle type vehicle;

(21) Appl. No.: **29/376,115**

FIG. 2 is a right perspective view of the combined grille and brush guard unit of FIG. 1;

(22) Filed: **Oct. 1, 2010**

FIG. 3 is a front perspective view of the combined grille and brush guard unit of FIG. 1;

(51) **LOC (9) Cl.** ..... **12-16**

(52) **U.S. Cl.** ..... **D12/171**

(58) **Field of Classification Search** ..... D12/171,  
D12/163, 98, 90-92, 169; 180/86.1, 86.2;  
296/183.1, 97.7, 95.1; 280/163, 164; 150/168  
See application file for complete search history.

FIG. 4 is a left side perspective view of the combined grille and brush guard unit of FIG. 1;

FIG. 5 is a right side perspective view of the combined grille and brush guard unit of FIG. 1;

FIG. 6 is a rear perspective view of the combined grille and brush guard unit of FIG. 1;

FIG. 7 is a top perspective view of the combined grille and brush guard unit of FIG. 1;

FIG. 8 is a bottom perspective view of the combined grille and brush guard unit of FIG. 1;

FIG. 9 is a right perspective view of a second embodiment of the combined grille and brush guard unit;

FIG. 10 is a front perspective view of the combined grille and brush guard unit of FIG. 9;

FIG. 11 is a left side perspective view of the combined grille and brush guard unit of FIG. 9;

FIG. 12 is a right side perspective view of the combined grille and brush guard unit of FIG. 9;

FIG. 13 is a top perspective view of the combined grille and brush guard unit of FIG. 9; and,

FIG. 14 is a bottom perspective view of the combined grille and brush guard unit of FIG. 9.

The broken line portions shown throughout the drawings are for illustrative purposes only and form no part of the claimed design.

(56) **References Cited**

U.S. PATENT DOCUMENTS

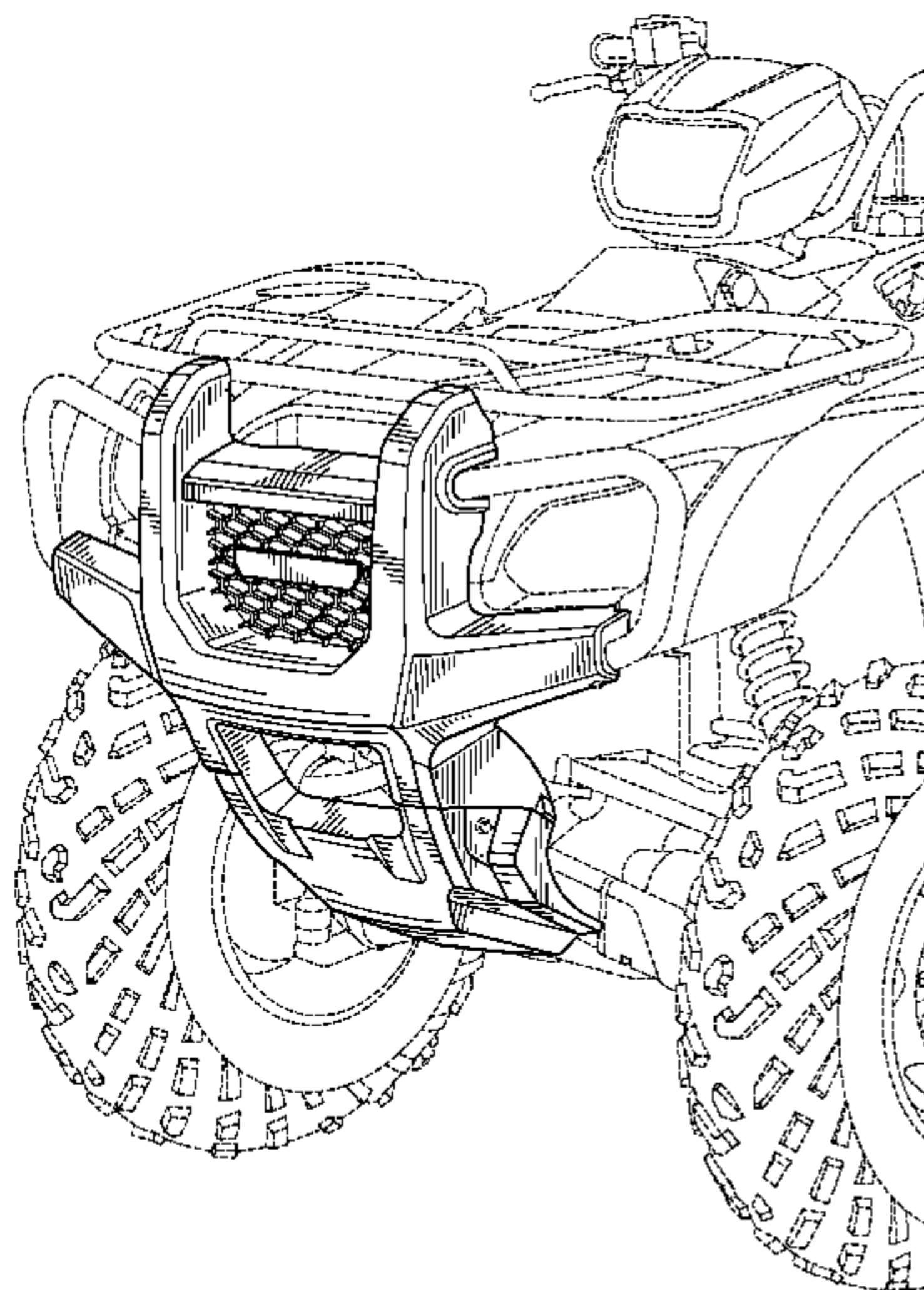
|              |         |                 |       |         |
|--------------|---------|-----------------|-------|---------|
| D472,854 S * | 4/2003  | Weber et al.    | ..... | D12/163 |
| D485,219 S * | 1/2004  | Hamm et al.     | ..... | D12/171 |
| D513,718 S   | 1/2006  | Itaya et al.    |       |         |
| D522,924 S   | 6/2006  | Yokoyama et al. |       |         |
| D527,696 S * | 9/2006  | Ichikawa et al. | ..... | D12/171 |
| D529,413 S   | 10/2006 | Basset et al.   |       |         |
| D539,705 S   | 4/2007  | Ichikawa et al. |       |         |
| D557,642 S * | 12/2007 | Miwa et al.     | ..... | D12/171 |
| D606,913 S * | 12/2009 | Robertson       | ..... | D12/171 |

OTHER PUBLICATIONS

Honda TRX500FA All Terrain Vehicle, as shown in attached operations instructions for Honda TRX500FA, pp. 1-232, see all pages and in particular p. 177 (marked p. 169), p. 20 (marked p. 12), and p. 100 (marked p. 92). Honda Motor Co., Ltd. 2004.

\* cited by examiner

**1 Claim, 10 Drawing Sheets**



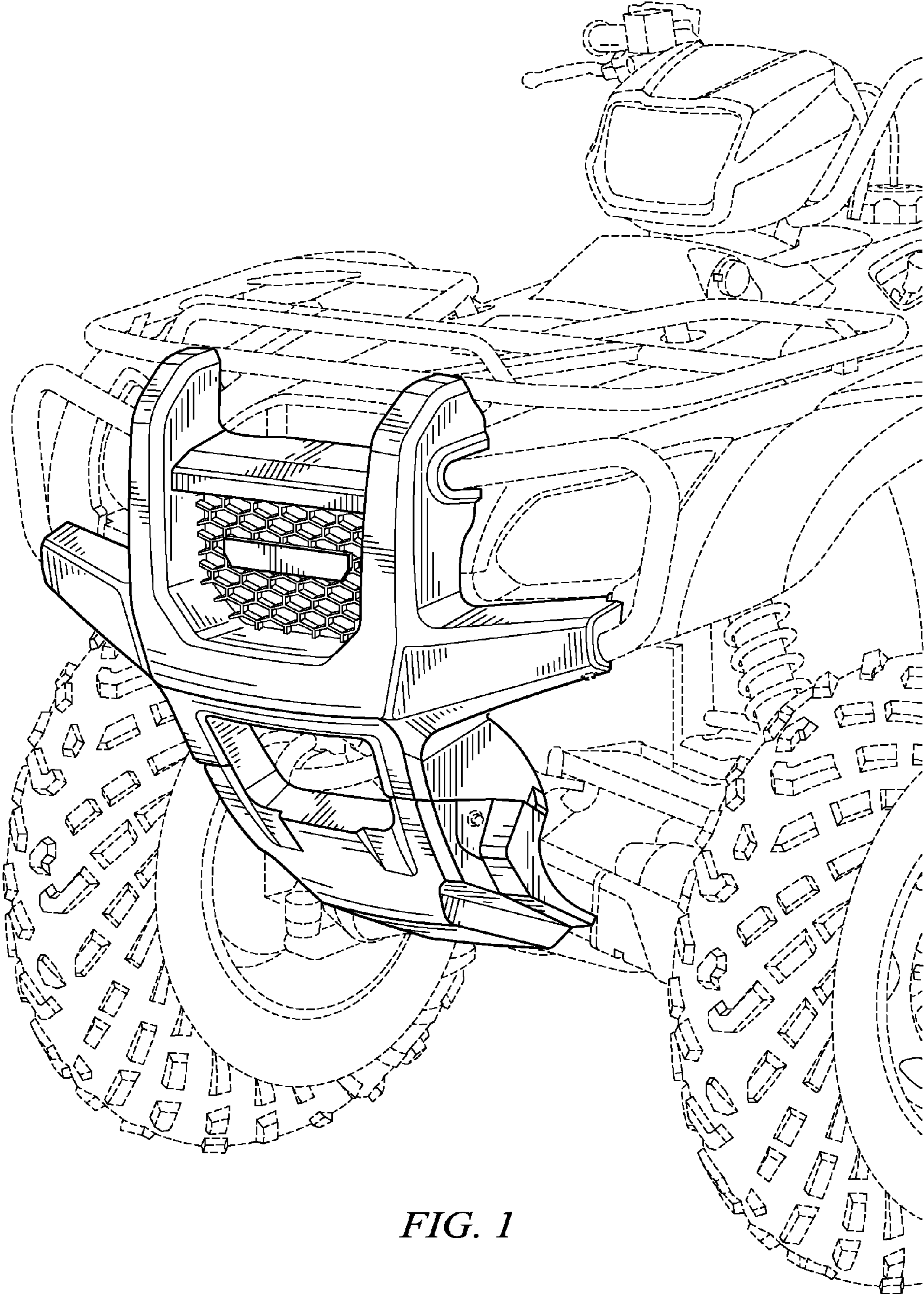


FIG. 1

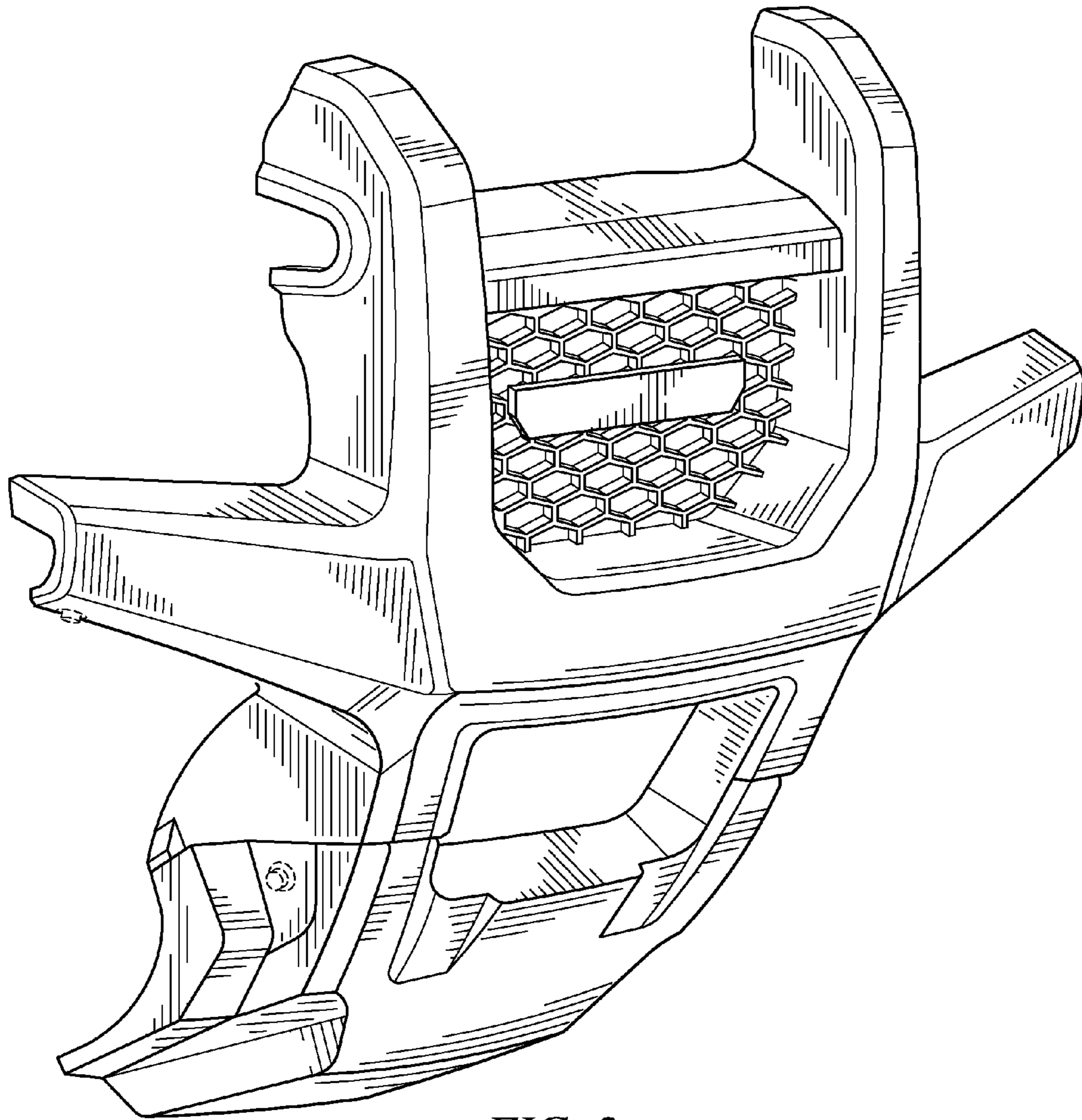


FIG. 2

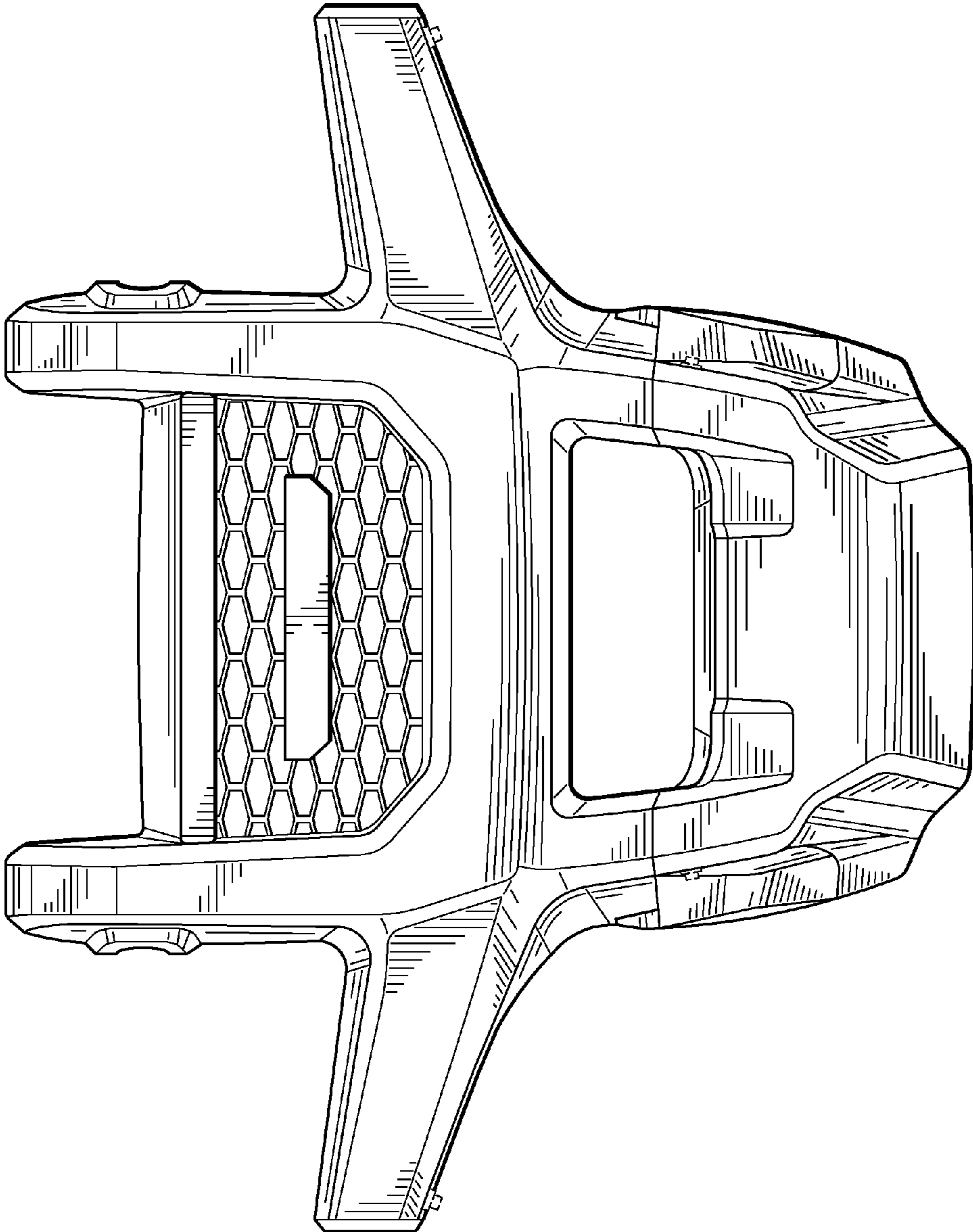


FIG. 3

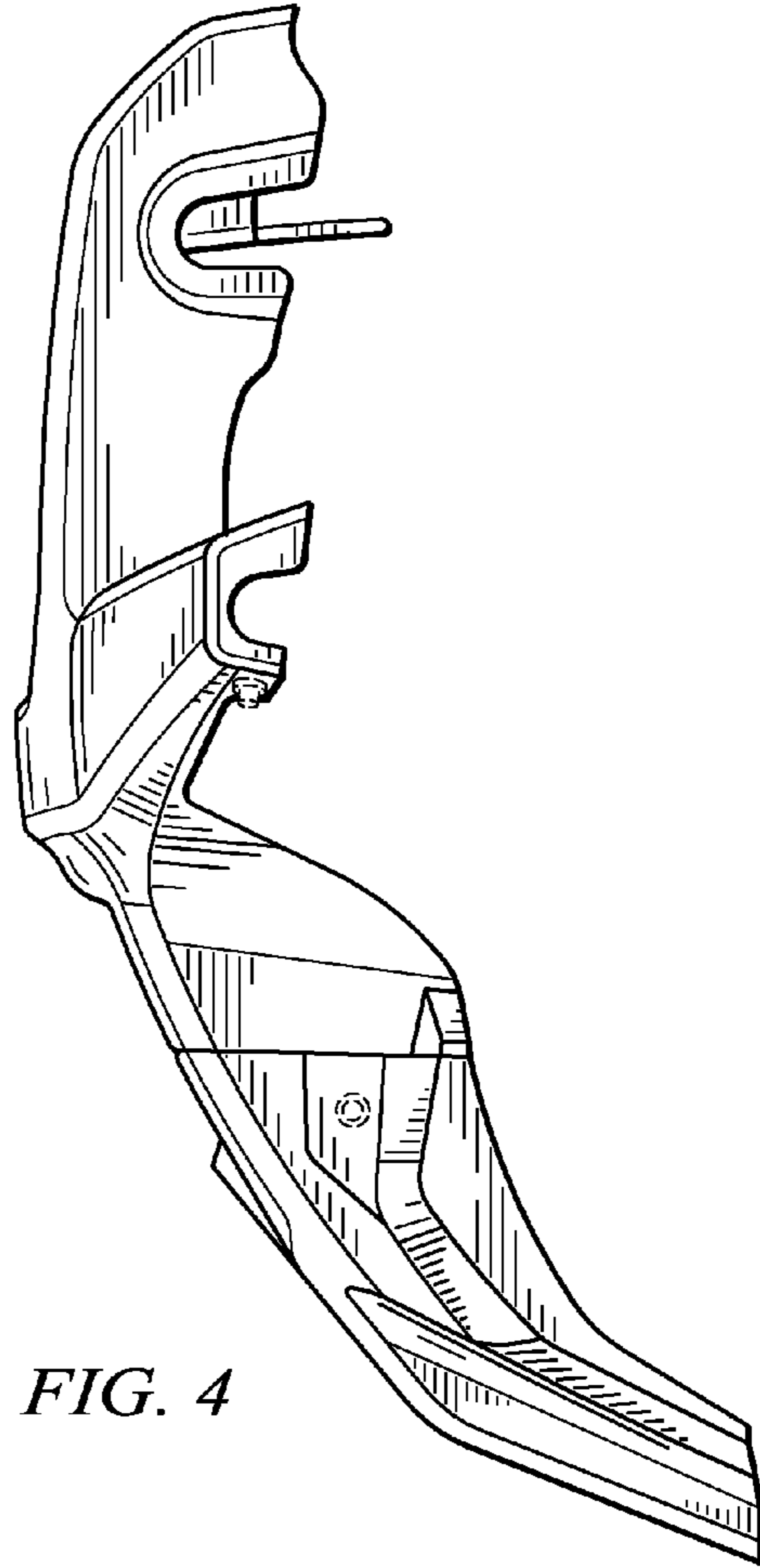


FIG. 4

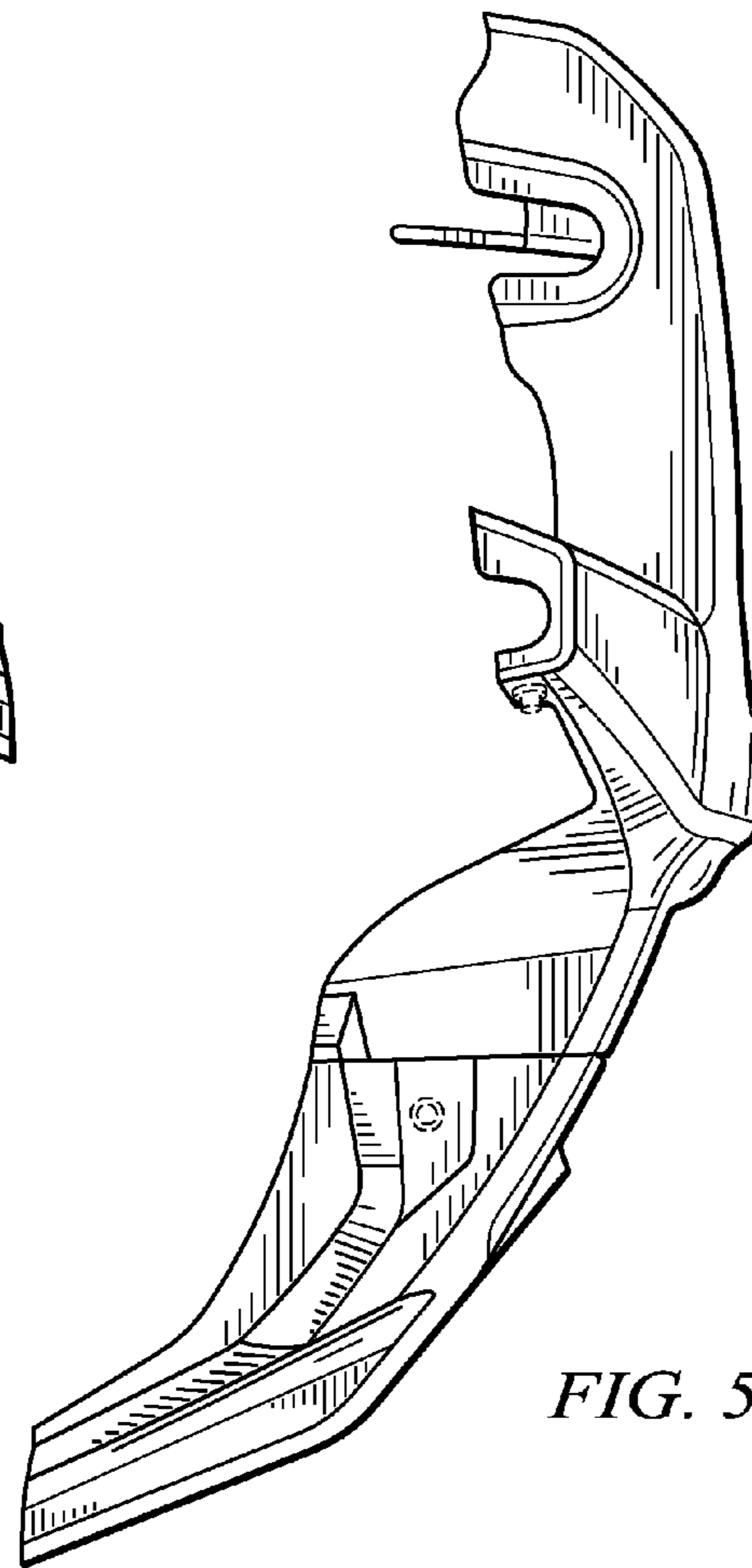


FIG. 5

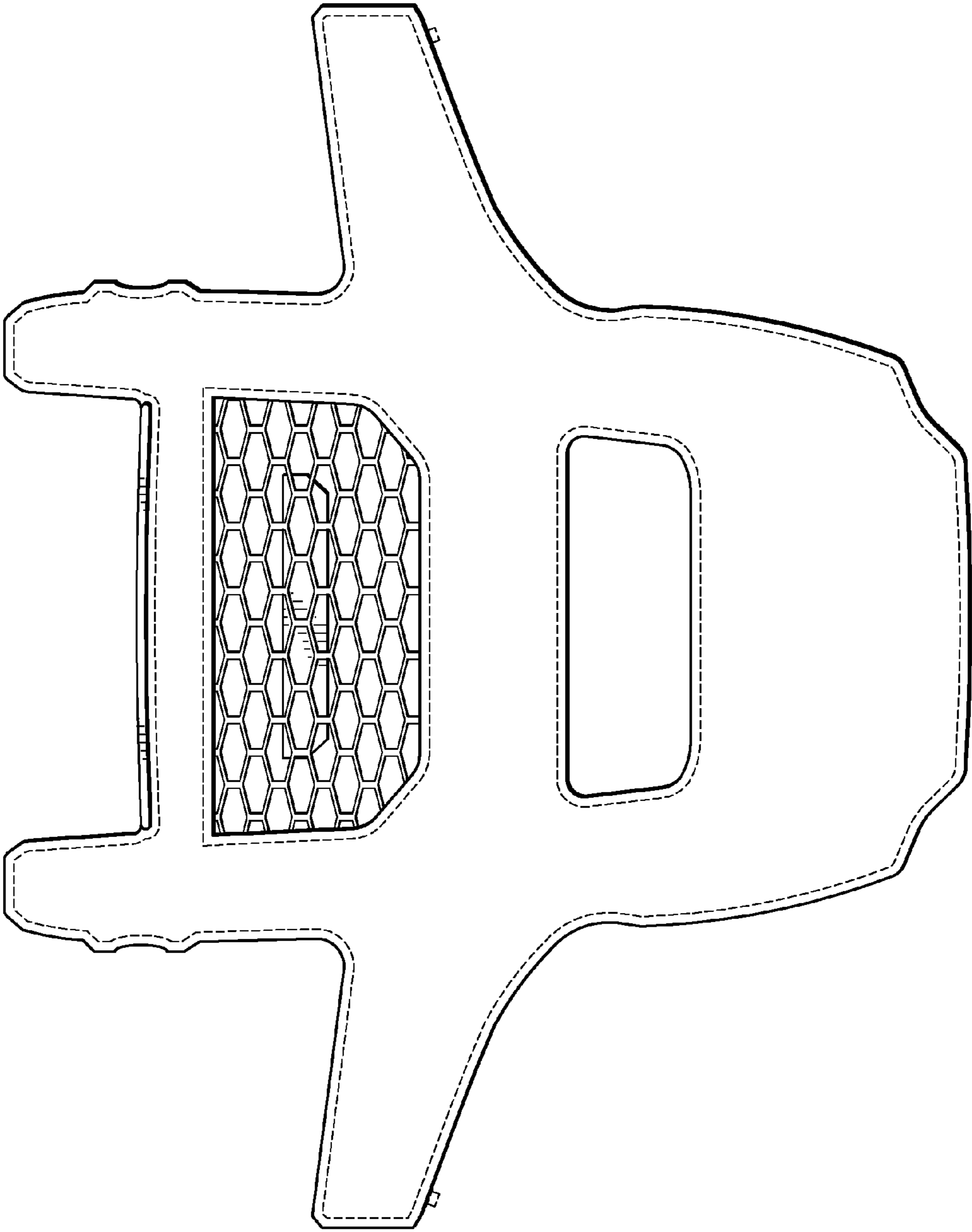


FIG. 6

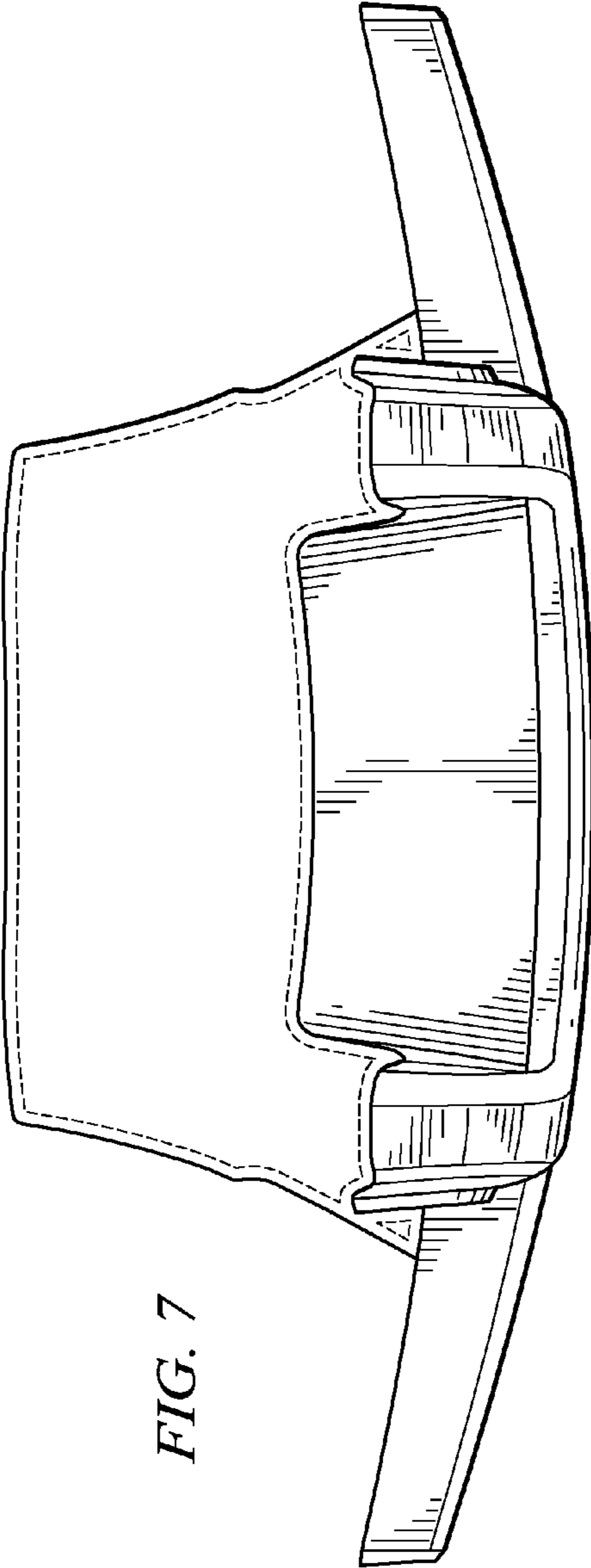


FIG. 7

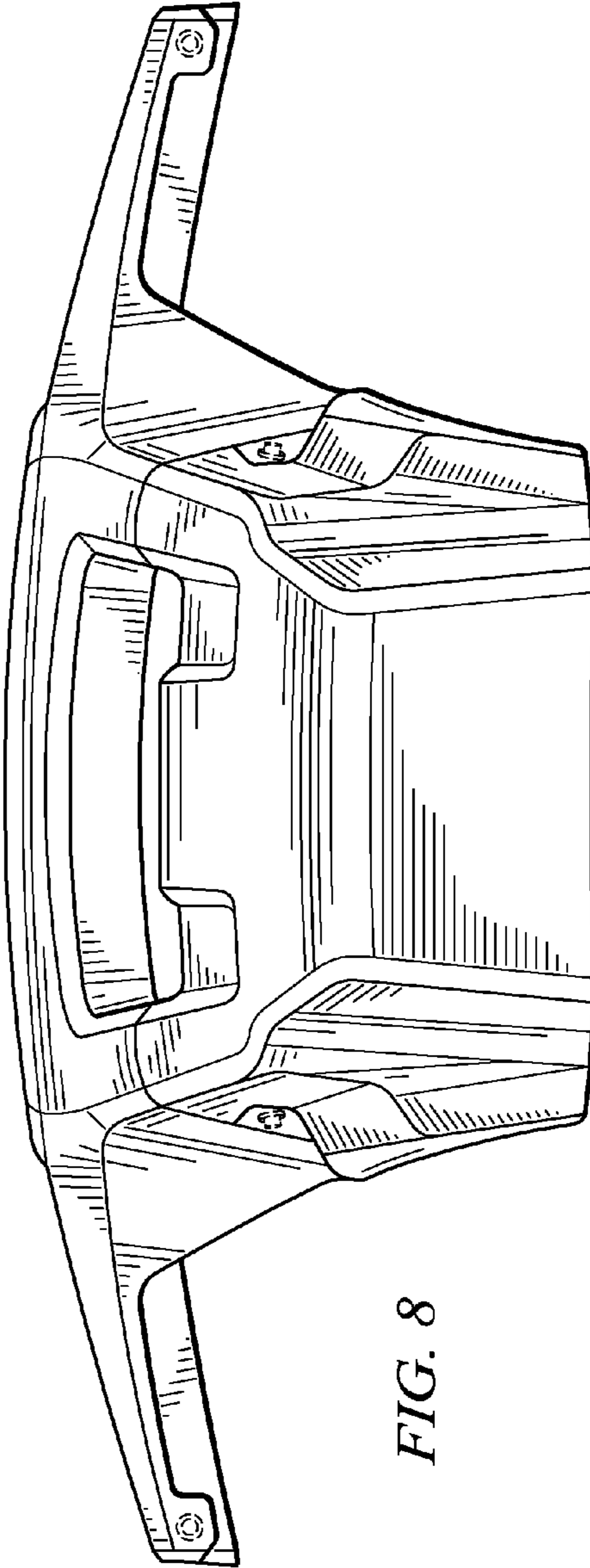


FIG. 8

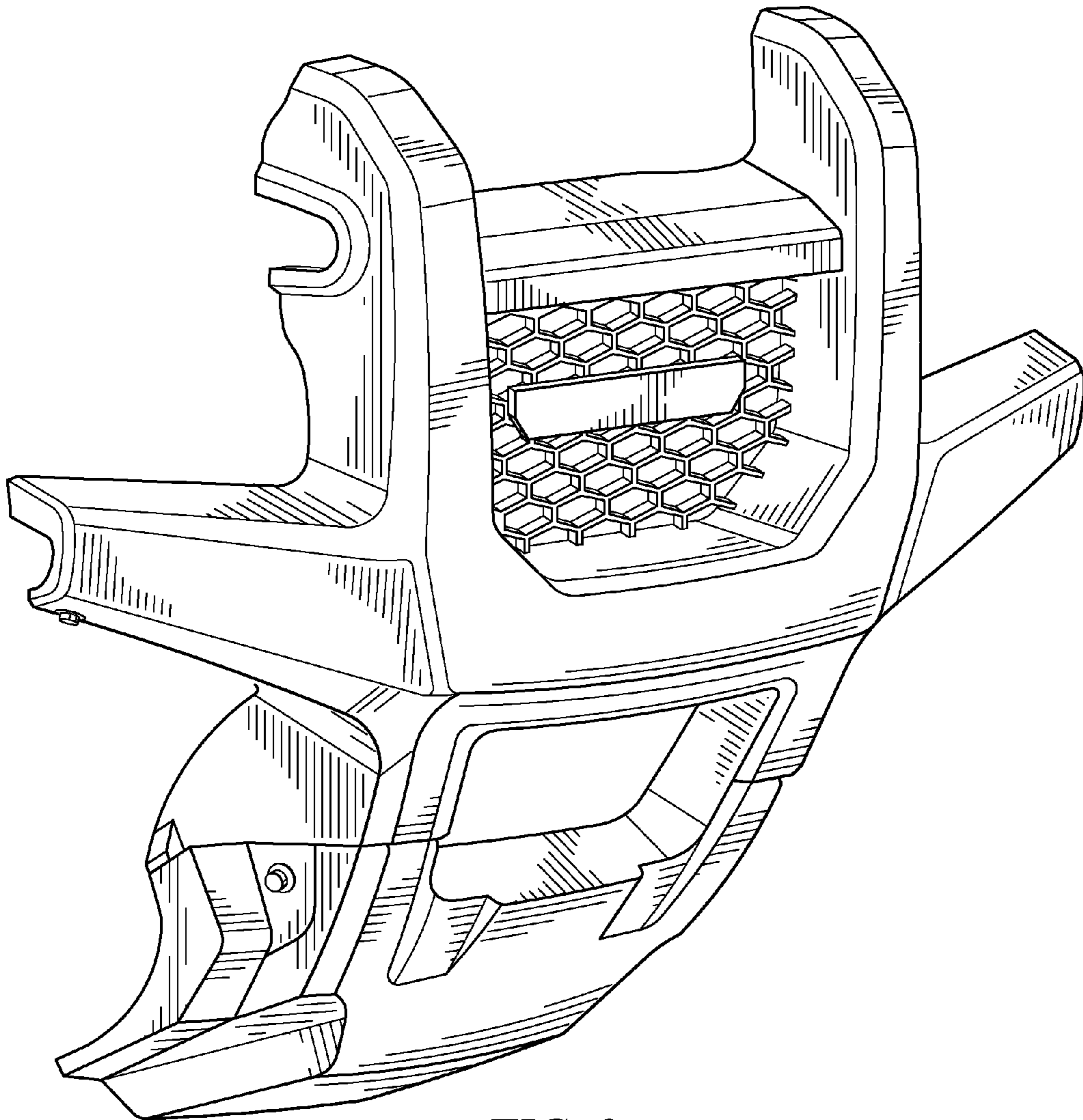
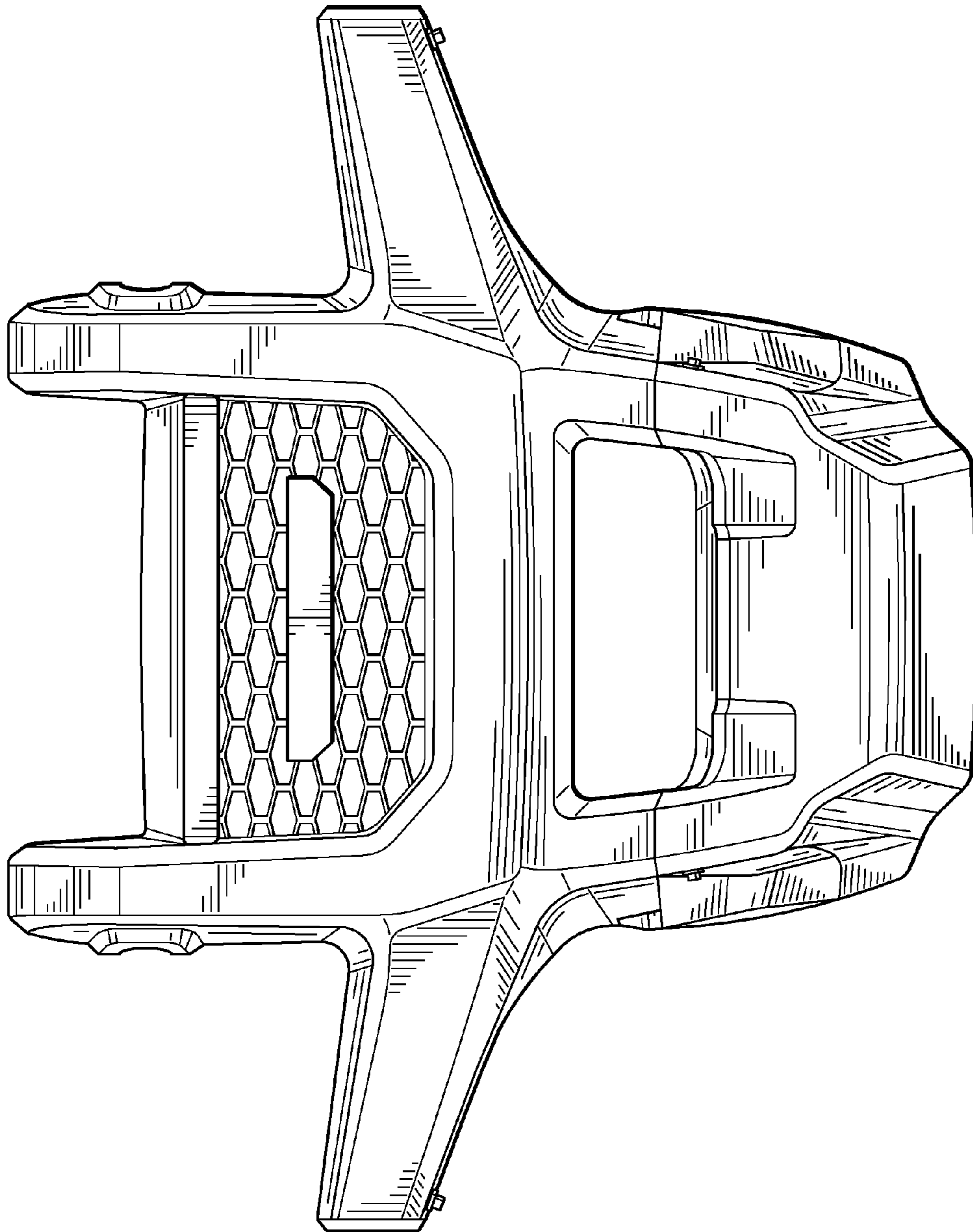
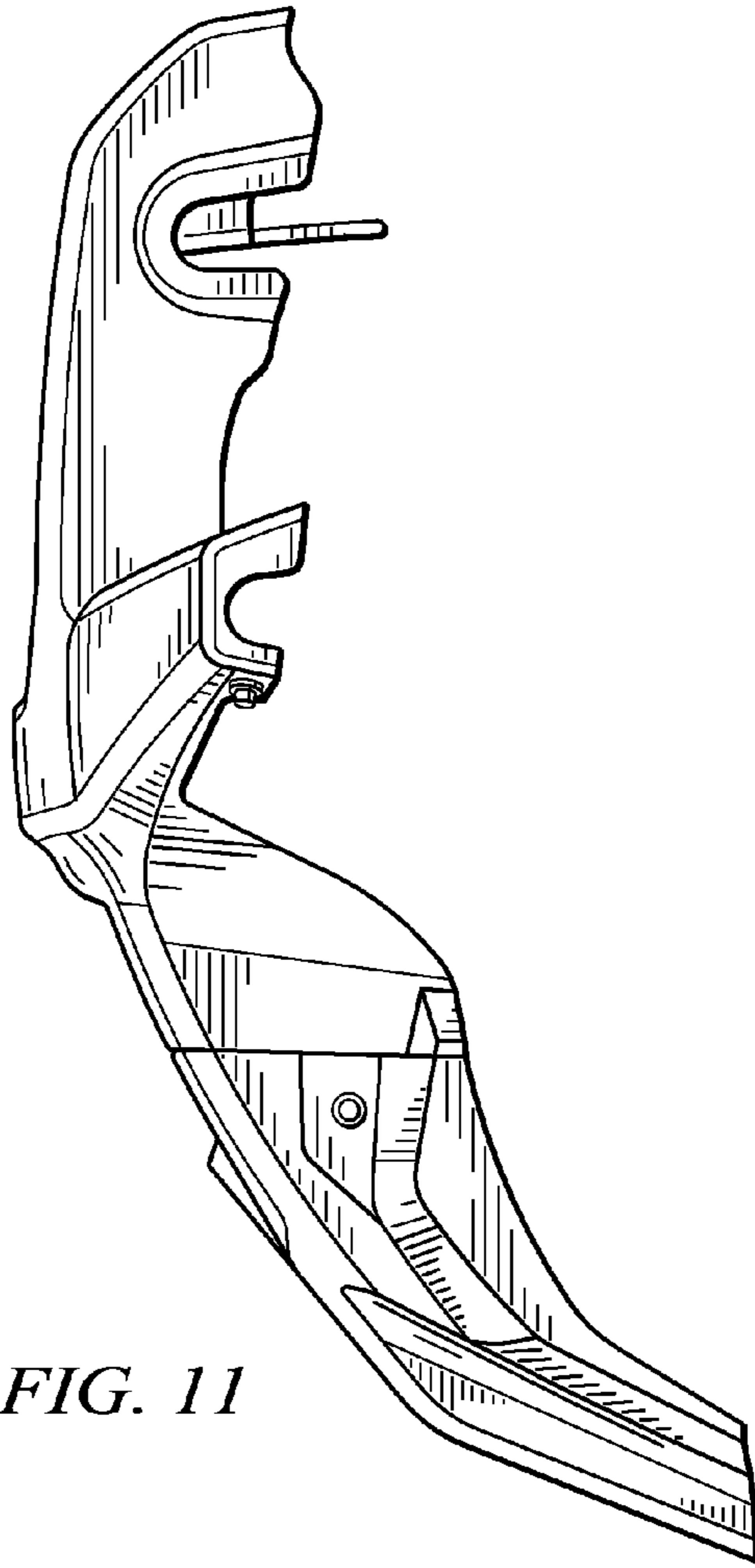


FIG. 9

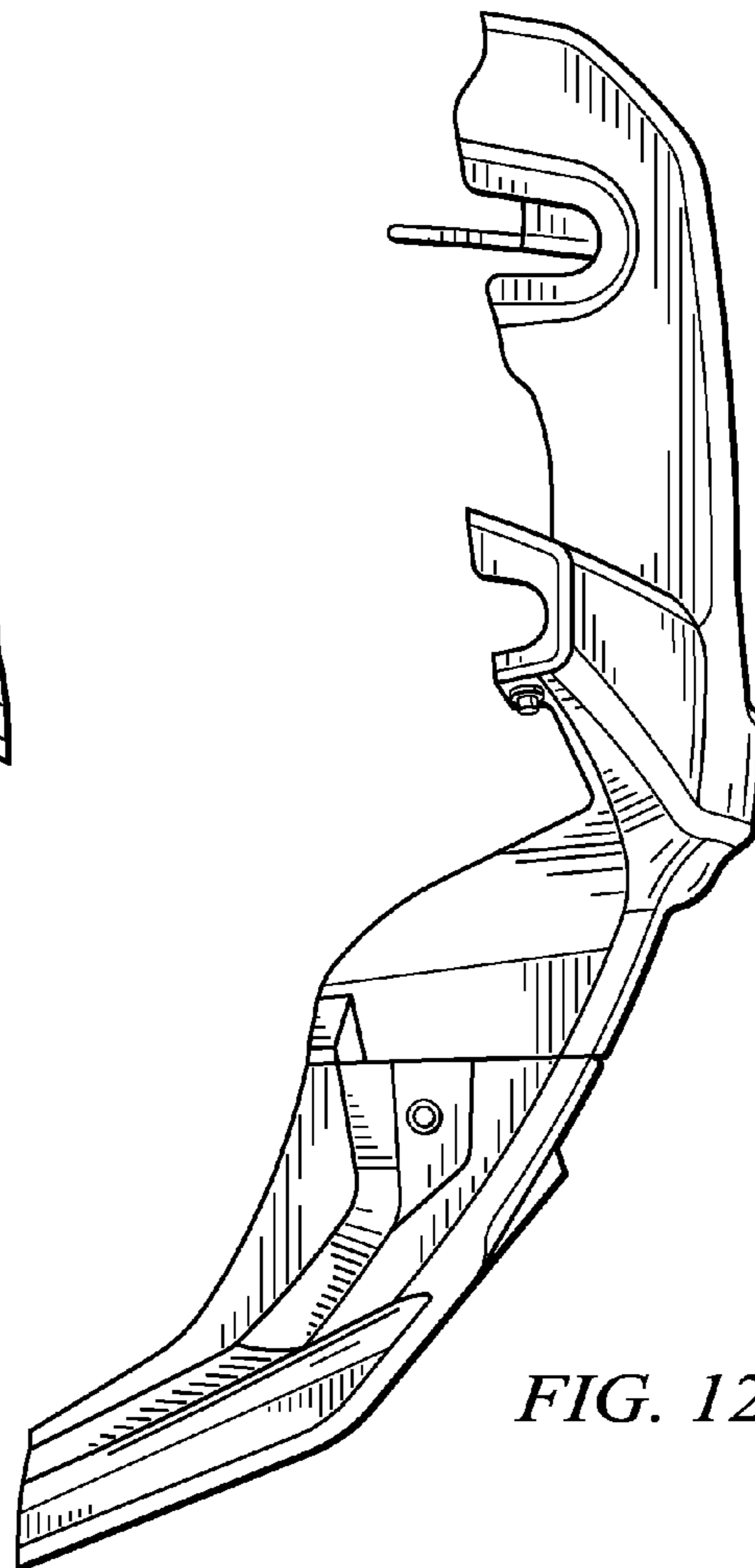




*FIG. 10*



*FIG. 11*



*FIG. 12*

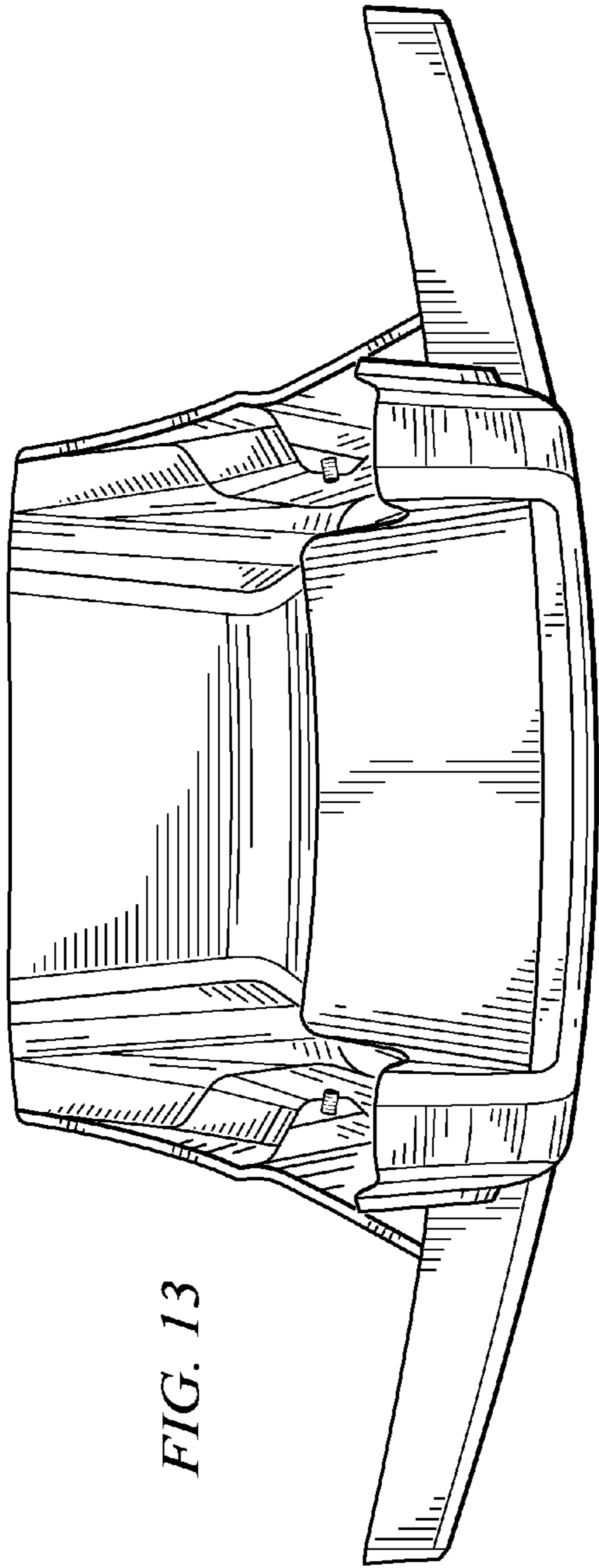


FIG. 13

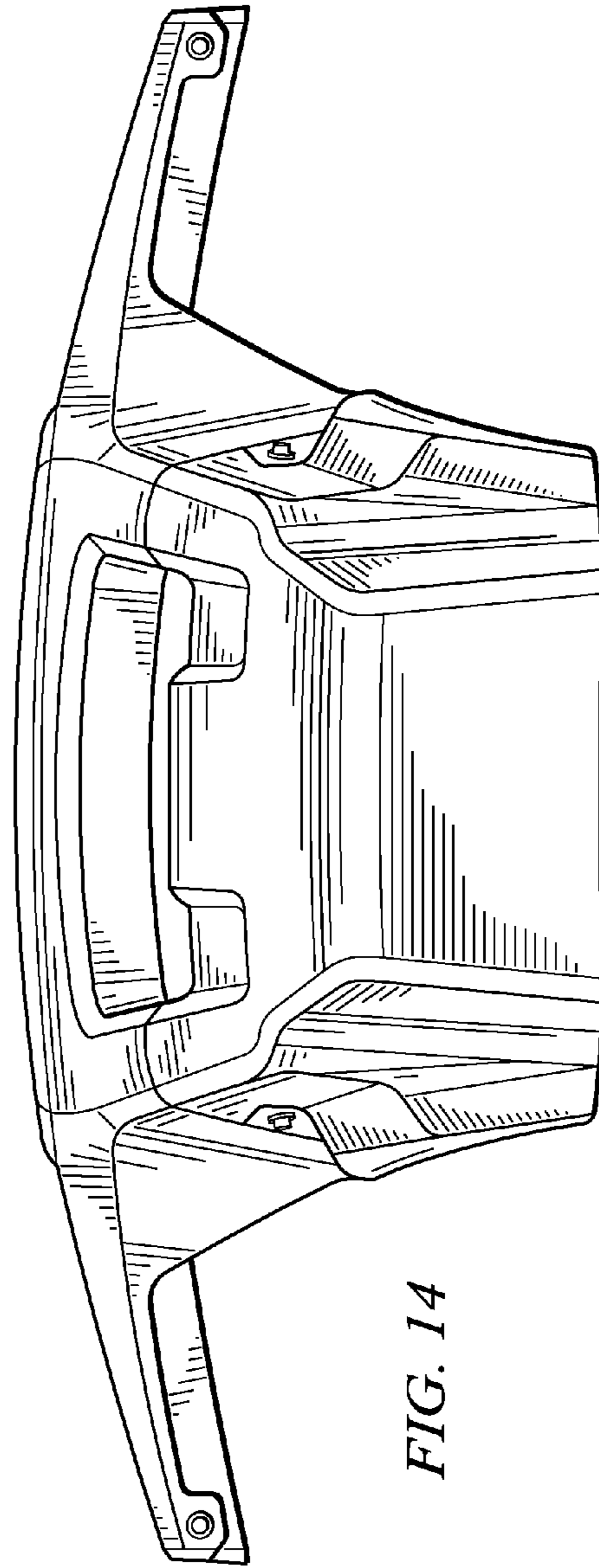


FIG. 14