



US00D642098S

(12) **United States Design Patent**  
**Mueller-Stolz et al.**

(10) **Patent No.:** **US D642,098 S**  
(45) **Date of Patent:** **\*\* Jul. 26, 2011**

(54) **FRONT BUMPER FOR A VEHICLE**  
(75) Inventors: **Dirk Mueller-Stolz**, Munich (DE);  
**Henning Holstein**, Dietersburg (DE)

D614,546 S \* 4/2010 Bennett et al. .... D12/169  
D627,277 S \* 11/2010 Cogswell ..... D12/169  
D630,139 S \* 1/2011 Schneider ..... D12/169  
D630,977 S 1/2011 Clottu  
D634,681 S \* 3/2011 Hirabayashi ..... D12/169

(73) Assignee: **Bayerische Motoren Werke**  
**Aktiengesellschaft**, Munich (DE)

**FOREIGN PATENT DOCUMENTS**

(\*\*) Term: **14 Years**

WO WO DM/066987 10/2005  
WO WO DM/067179 12/2005  
WO WO DM/072779 6/2010

(21) Appl. No.: **29/371,301**

\* cited by examiner

(22) Filed: **Dec. 22, 2010**

*Primary Examiner* — Melody N Brown

(30) **Foreign Application Priority Data**

(74) *Attorney, Agent, or Firm* — Crowell & Moring LLP

Jun. 28, 2010 (DE) ..... 40 2010 003 572

(57) **CLAIM**

(51) **LOC (9) Cl.** ..... **12-16**

The ornamental design for a front bumper for a vehicle, as shown and described.

(52) **U.S. Cl.** ..... **D12/169**

**DESCRIPTION**

(58) **Field of Classification Search** ..... D12/169,  
D12/196, 171, 216, 163, 86, 90-92; 293/102,  
293/113, 115, 117, 120; 296/180.1, 180.2  
See application file for complete search history.

This application contains subject matter related to the following co-pending U.S. design patent application:

U.S. application Ser. No. 29/371,302, filed herewith and entitled "Front Bumper for a Vehicle".

FIG. 1 is a left, front perspective view of a front bumper for a vehicle according to our design;

FIG. 2 is a right, front perspective view thereof;

FIG. 3 is a front view thereof;

FIG. 4 is a left side view thereof;

FIG. 5 is a right side view thereof;

FIG. 6 is a top view thereof; and,

FIG. 7 is a bottom view thereof.

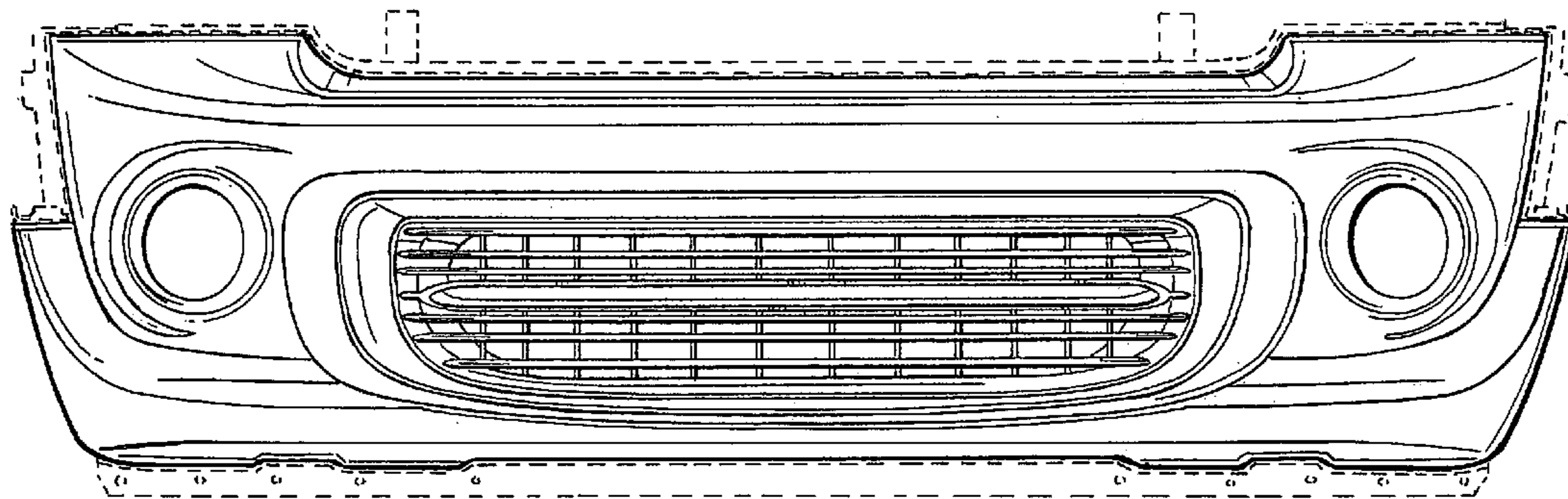
The broken lines are for illustrative purposes only and form no part of the claimed design.

(56) **References Cited**

**U.S. PATENT DOCUMENTS**

D544,415 S \* 6/2007 Okamoto ..... D12/169  
D559,743 S \* 1/2008 Nakamuta et al. .... D12/169  
D591,211 S \* 4/2009 Hayashi et al. .... D12/169  
D597,000 S \* 7/2009 Golden et al. .... D12/169  
D600,602 S \* 9/2009 Endoh ..... D12/169  
D605,098 S \* 12/2009 Bennett et al. .... D12/169  
D606,464 S \* 12/2009 Bennett et al. .... D12/169  
D606,912 S \* 12/2009 Sahs ..... D12/169

**1 Claim, 4 Drawing Sheets**



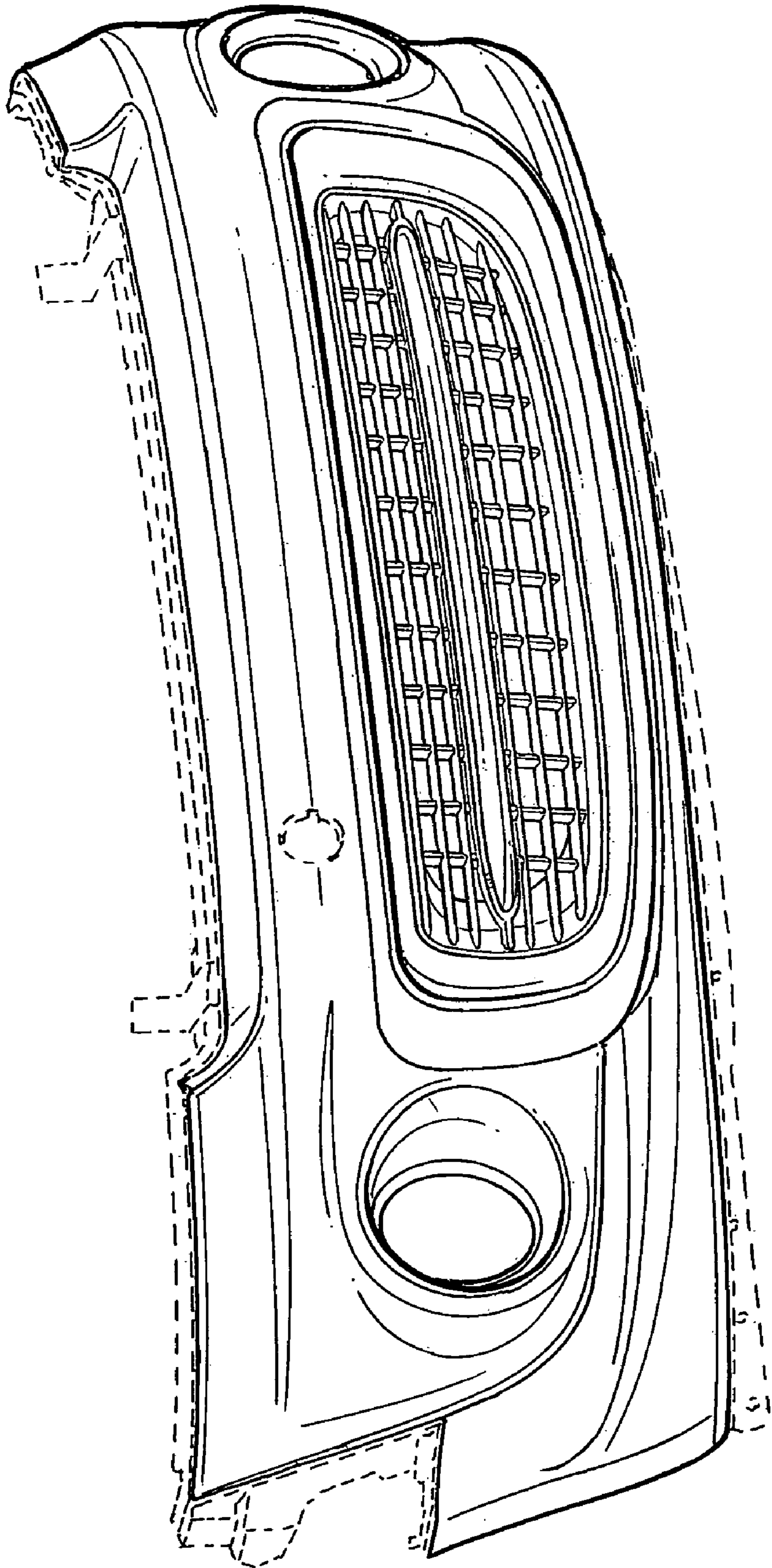


FIG. 1

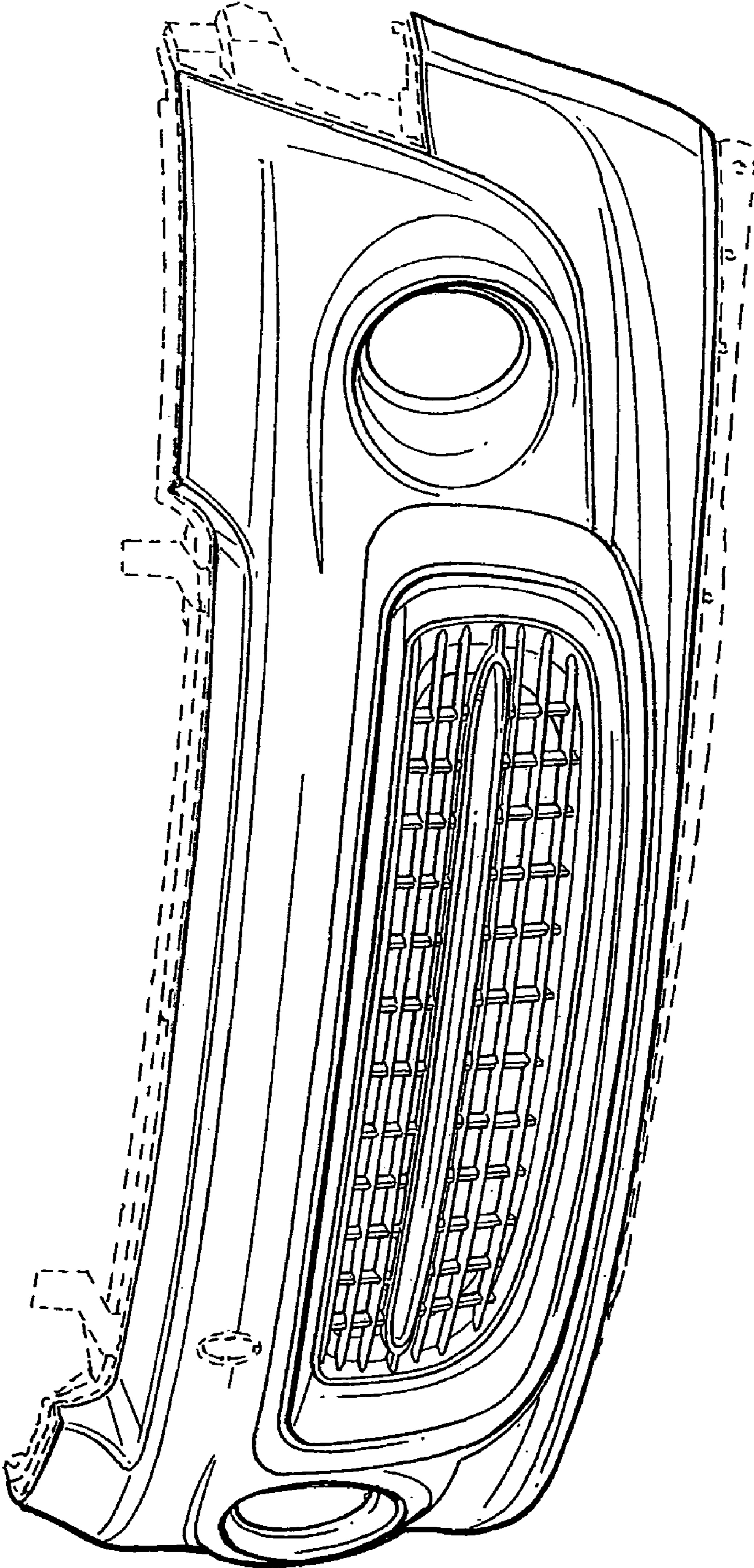


FIG. 2

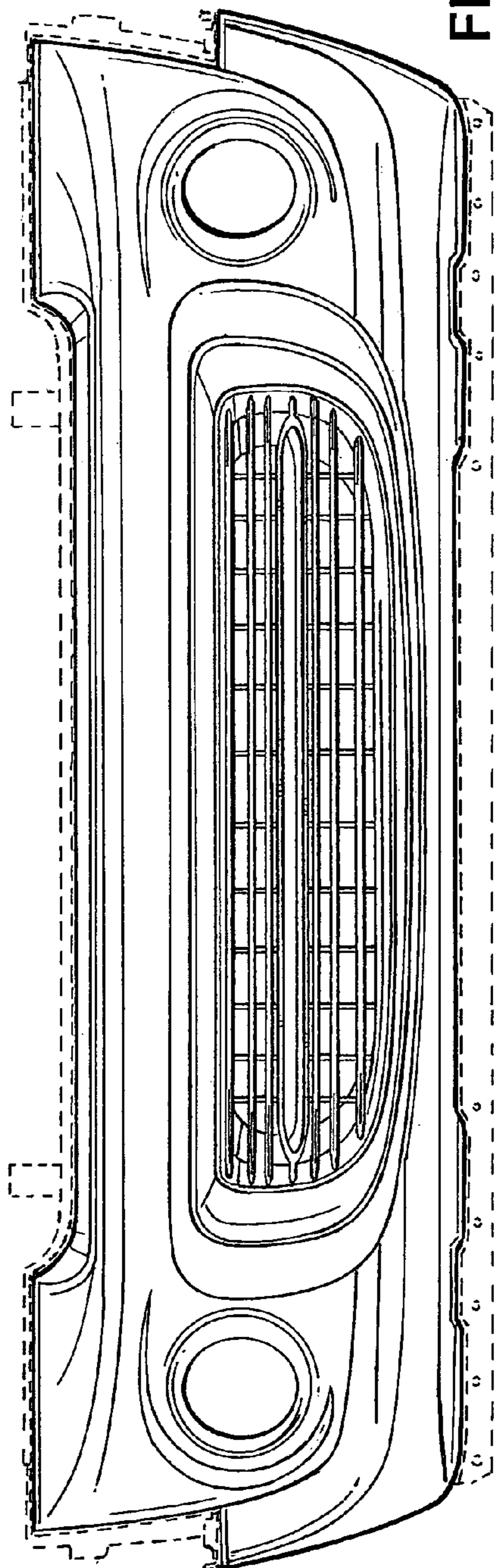


FIG. 3

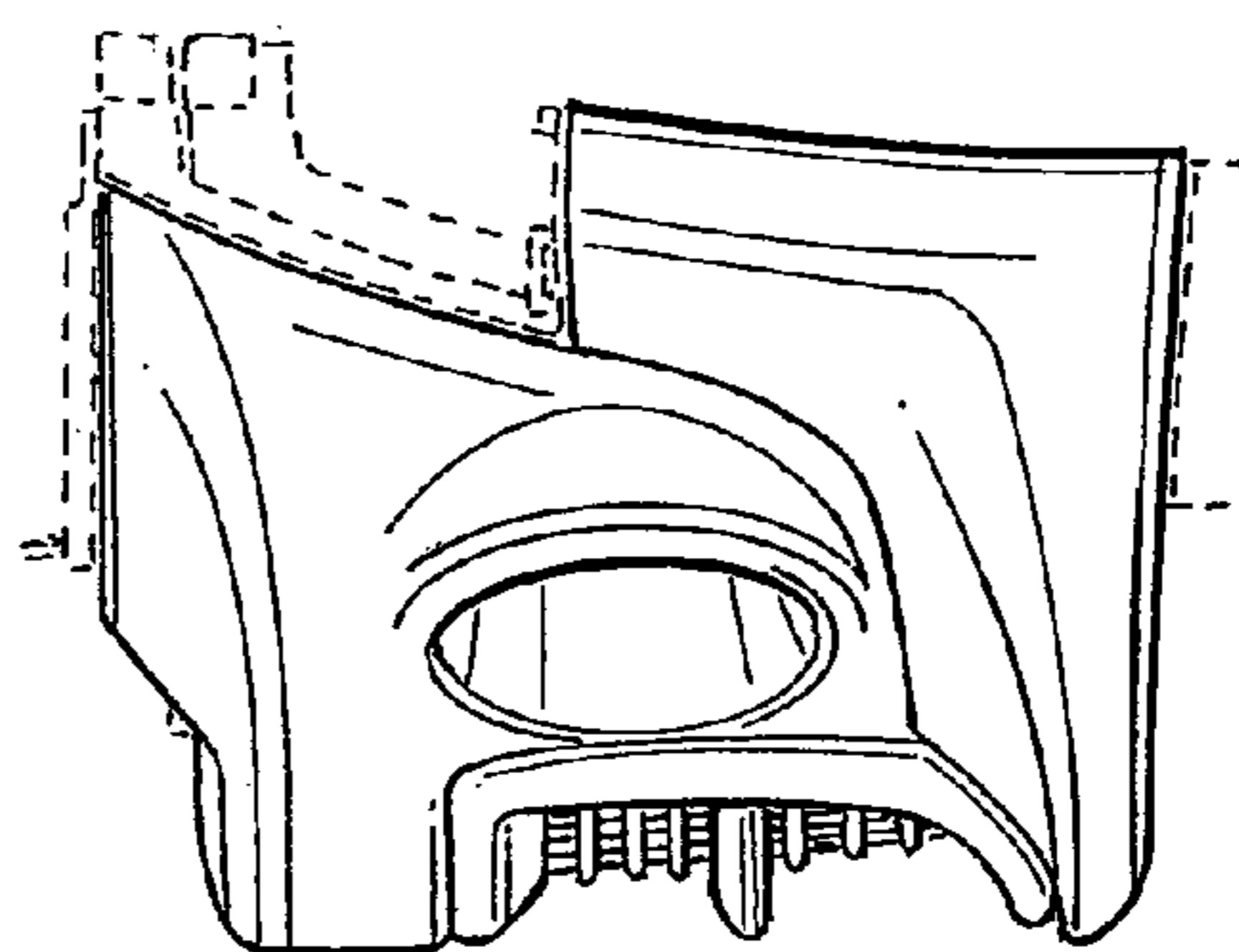


FIG. 5

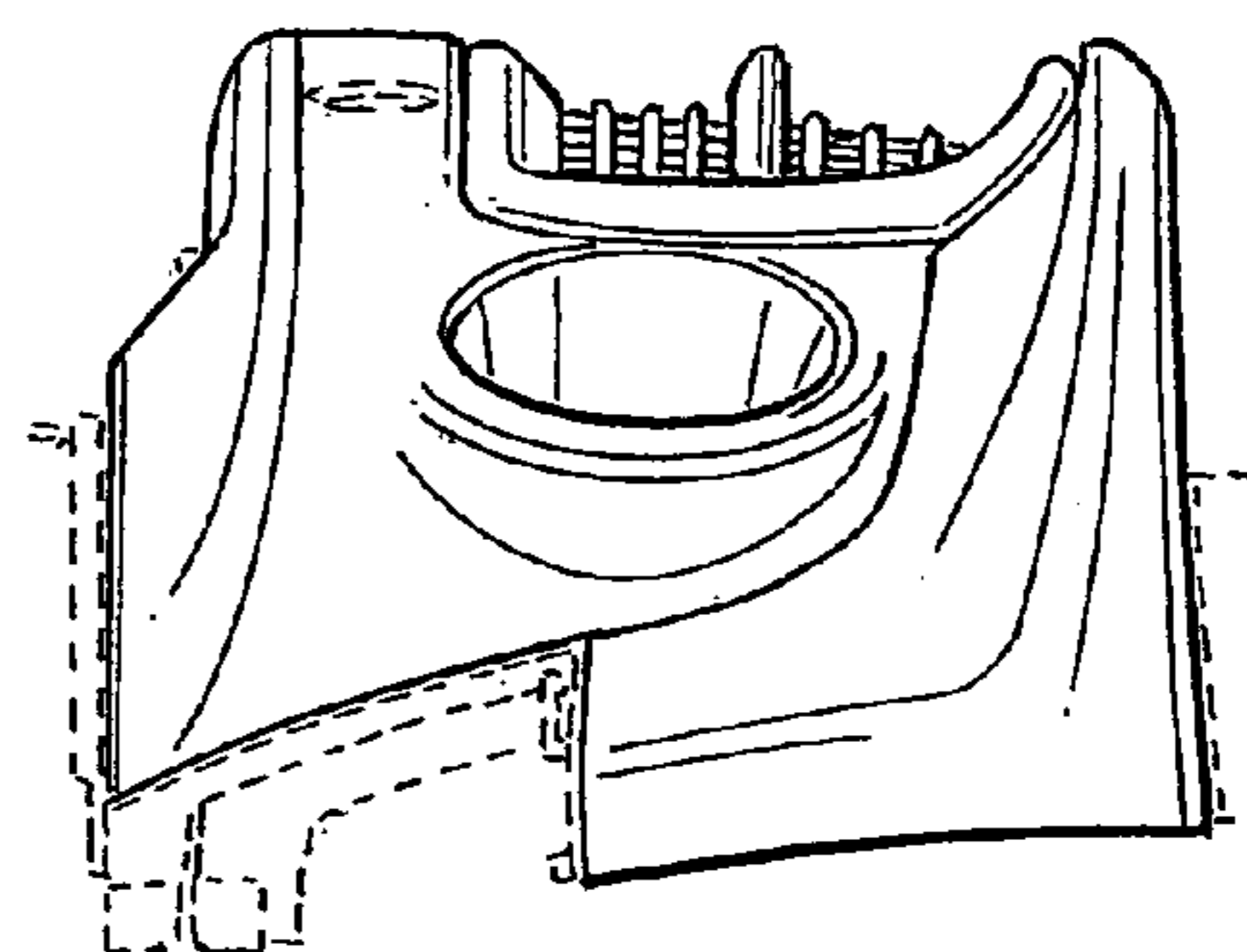


FIG. 4

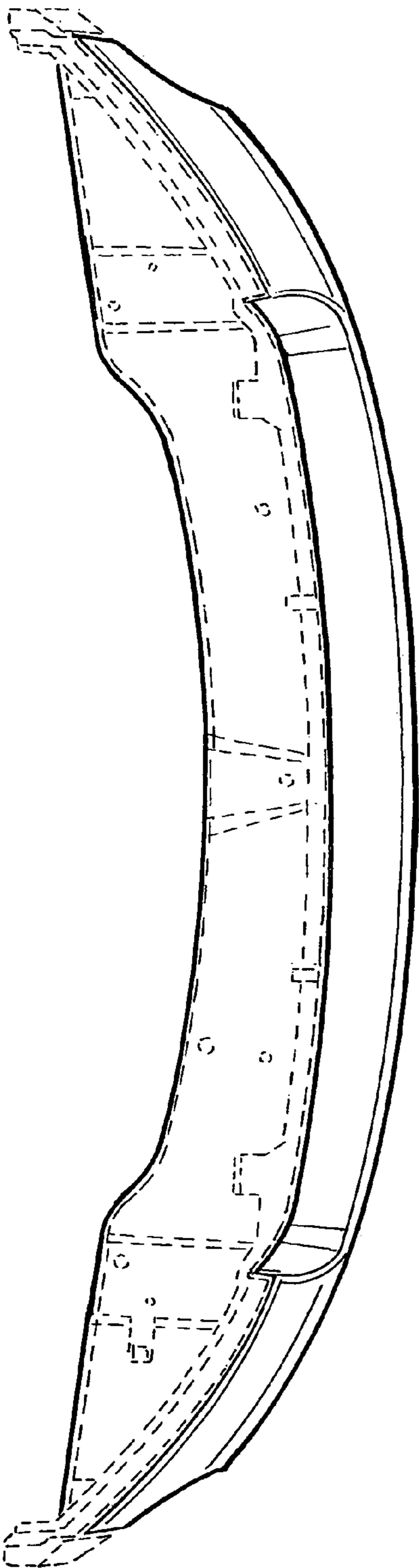


FIG. 6

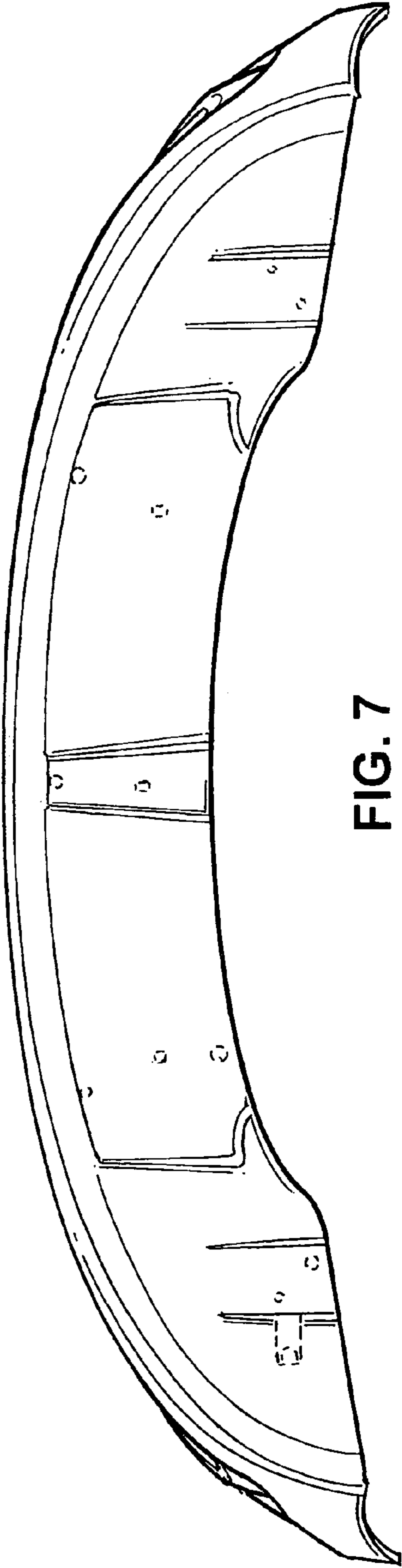


FIG. 7