



US00D642097S

(12) **United States Design Patent**  
**Schachte**

(10) **Patent No.:** **US D642,097 S**  
(45) **Date of Patent:** **\*\* Jul. 26, 2011**

(54) **SADDLE FOR TRAILER CHASSIS**  
(75) Inventor: **Frank C. Schachte**, Charleston, SC (US)  
(73) Assignee: **Stackable Chassis International, Inc.**, Charleston, SC (US)  
(\*\*) Term: **14 Years**

4,836,735 A 6/1989 Dennehy, Jr. et al.  
D307,019 S \* 4/1990 Rosenblad ..... D15/17  
4,952,118 A 8/1990 MacMillan  
4,969,659 A 11/1990 Ehrlich  
4,986,705 A 1/1991 Durkin  
D365,572 S \* 12/1995 Cerny et al. .... D15/17  
5,662,450 A 9/1997 Roberts  
5,794,960 A 8/1998 Sill  
5,873,593 A 2/1999 Gesuale  
5,934,695 A 8/1999 Rowland

(Continued)

(21) Appl. No.: **29/338,720**

(22) Filed: **Jun. 17, 2009**

(51) **LOC (9) Cl.** ..... **12-16**

(52) **U.S. Cl.** ..... **D12/159**

(58) **Field of Classification Search** ..... D12/159,  
D12/162, 400, 172, 177, 196; 280/416.1,  
280/446.1, 482, 491.3, 498, 499, 507, 509,  
280/511-513, 656, 1.21; 188/112 R; D15/17  
See application file for complete search history.

**FOREIGN PATENT DOCUMENTS**

WO WO 99/22958 5/1999

*Primary Examiner* — Cynthia Underwood

(74) *Attorney, Agent, or Firm* — Dority & Manning, P.A.

(57) **CLAIM**

I claim the ornamental design for a saddle for trailer chassis, as shown and described.

**DESCRIPTION**

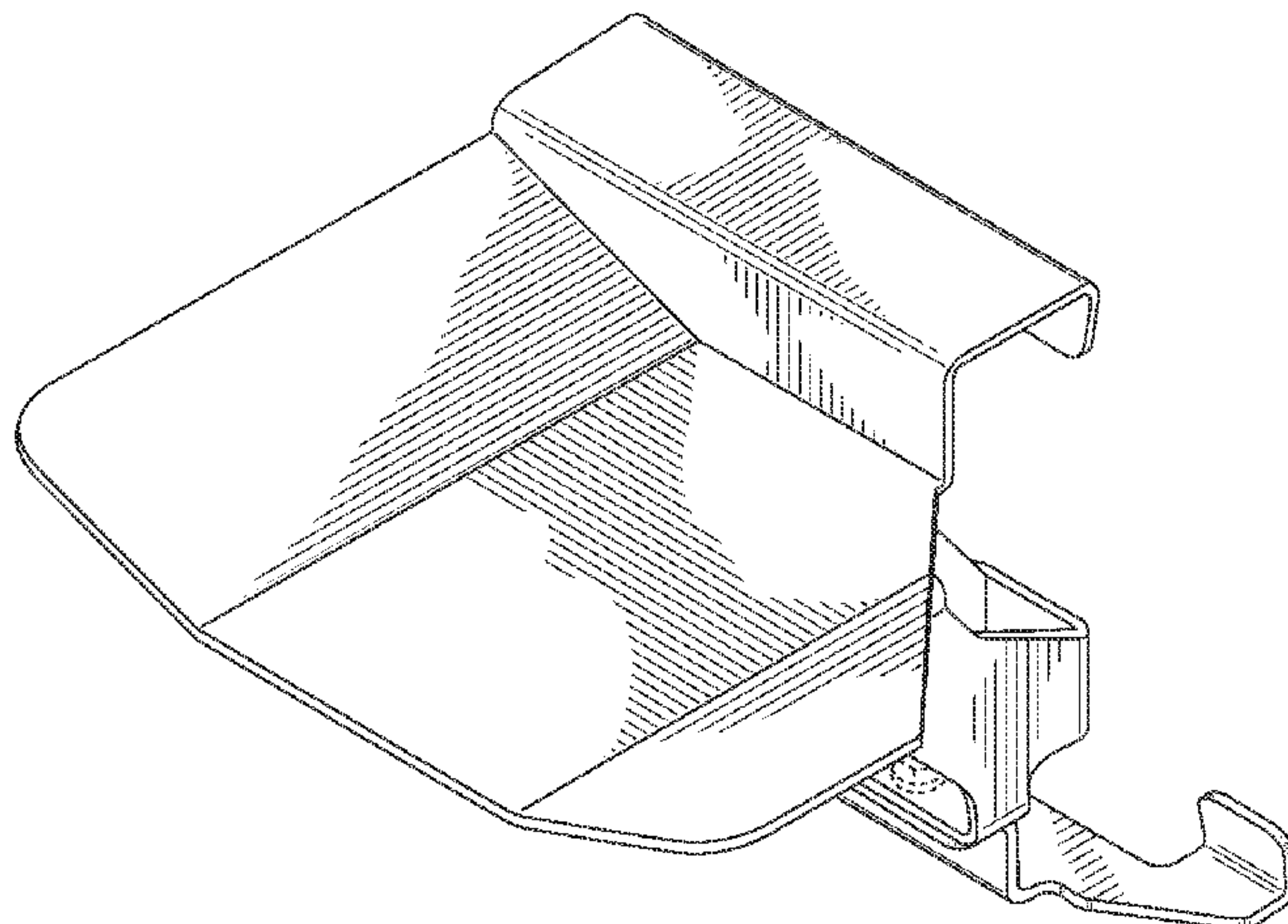
FIG. 1. is a perspective view of a saddle for trailer chassis according to the present design;  
FIG. 2 is a front view of the saddle for trailer chassis of FIG. 1;  
FIG. 3 is a back view of the saddle for trailer chassis of FIG. 1;  
FIG. 4 is a top view of the saddle for trailer chassis of FIG. 1;  
FIG. 5 is a bottom view of the saddle for trailer chassis of FIG. 1;  
FIG. 6 is a left side view of the saddle for trailer chassis of FIG. 1;  
FIG. 7 is a right side view of the saddle for trailer chassis of FIG. 1; and,  
FIG. 8 is an embodiment of the saddle for trailer chassis and is a mirror image of FIG. 1.  
The broken lines represent environment that forms no part of the claim.

(56) **References Cited**

**U.S. PATENT DOCUMENTS**

D59,792 S \* 11/1921 Taylor ..... D8/354  
1,538,297 A 5/1925 Mitchell  
1,949,156 A 2/1934 Francis et al.  
D113,566 S 2/1939 Landis  
3,572,752 A 3/1971 Harp  
3,580,627 A 5/1971 Underwood  
3,611,949 A 10/1971 Peisner  
D233,035 S 10/1974 Donné  
3,841,509 A 10/1974 Chisum  
4,015,382 A 4/1977 Noyes  
4,066,289 A 1/1978 Gargour  
4,108,472 A 8/1978 Weir  
D251,507 S \* 4/1979 Maricic ..... D25/124  
D262,404 S 12/1981 Bittner  
4,402,526 A 9/1983 Huetsch  
4,561,671 A 12/1985 DeWitt et al.  
4,566,714 A 1/1986 DeWitt et al.  
4,580,805 A 4/1986 Bertolini  
4,611,962 A 9/1986 Braly et al.  
4,642,954 A 2/1987 Sigerist

**1 Claim, 6 Drawing Sheets**



# US D642,097 S

Page 2

---

U.S. PATENT DOCUMENTS					
6,186,533	B1	2/2001 Alaniz	7,222,872	B1 *	5/2007 Bauder ..... 280/439
6,241,438	B1	6/2001 Corbett et al.	D547,244	S *	7/2007 Munger ..... D12/177
6,386,807	B1	5/2002 Rowland	D576,085	S *	9/2008 Devlin ..... D12/162
D462,037	S *	8/2002 Pancheri et al. .... D12/162	D611,647	S	3/2010 Coplin et al.
D462,300	S *	9/2002 Cerny et al. .... D12/86	7,699,346	B2 *	4/2010 Wehner et al. .... 280/784
6,997,022	B1	2/2006 Demange	7,775,544	B2 *	8/2010 Bouwkamp ..... 280/489
D531,946	S	11/2006 Angelo et al.	2006/0171791	A1	8/2006 Nicholas
D531,948	S *	11/2006 Angelo et al. .... D12/196	2006/0269379	A1	11/2006 Orr et al.
D532,731	S *	11/2006 Angelo et al. .... D12/196	2007/0140818	A1	6/2007 Hammar

\* cited by examiner

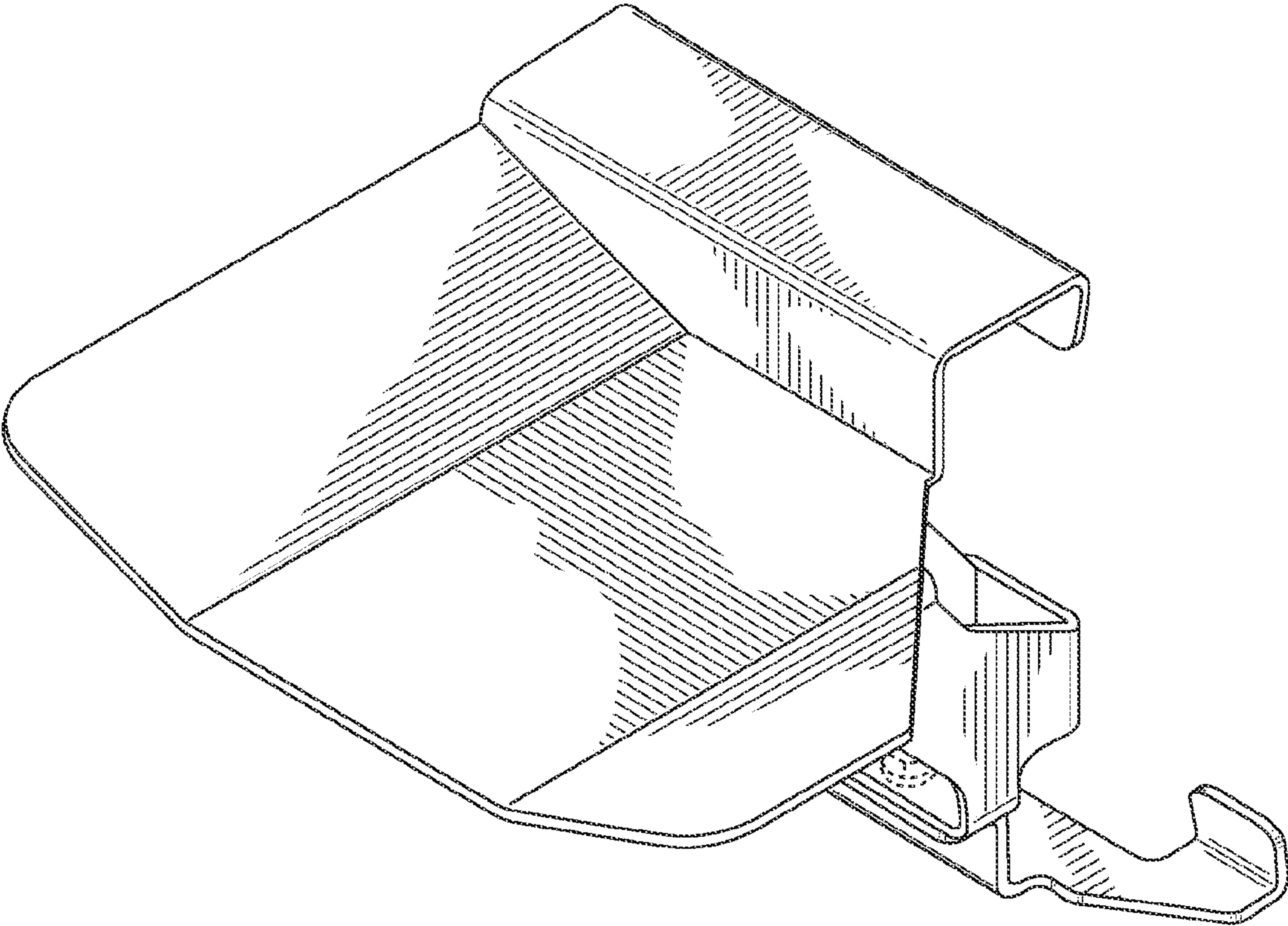


FIG. 1

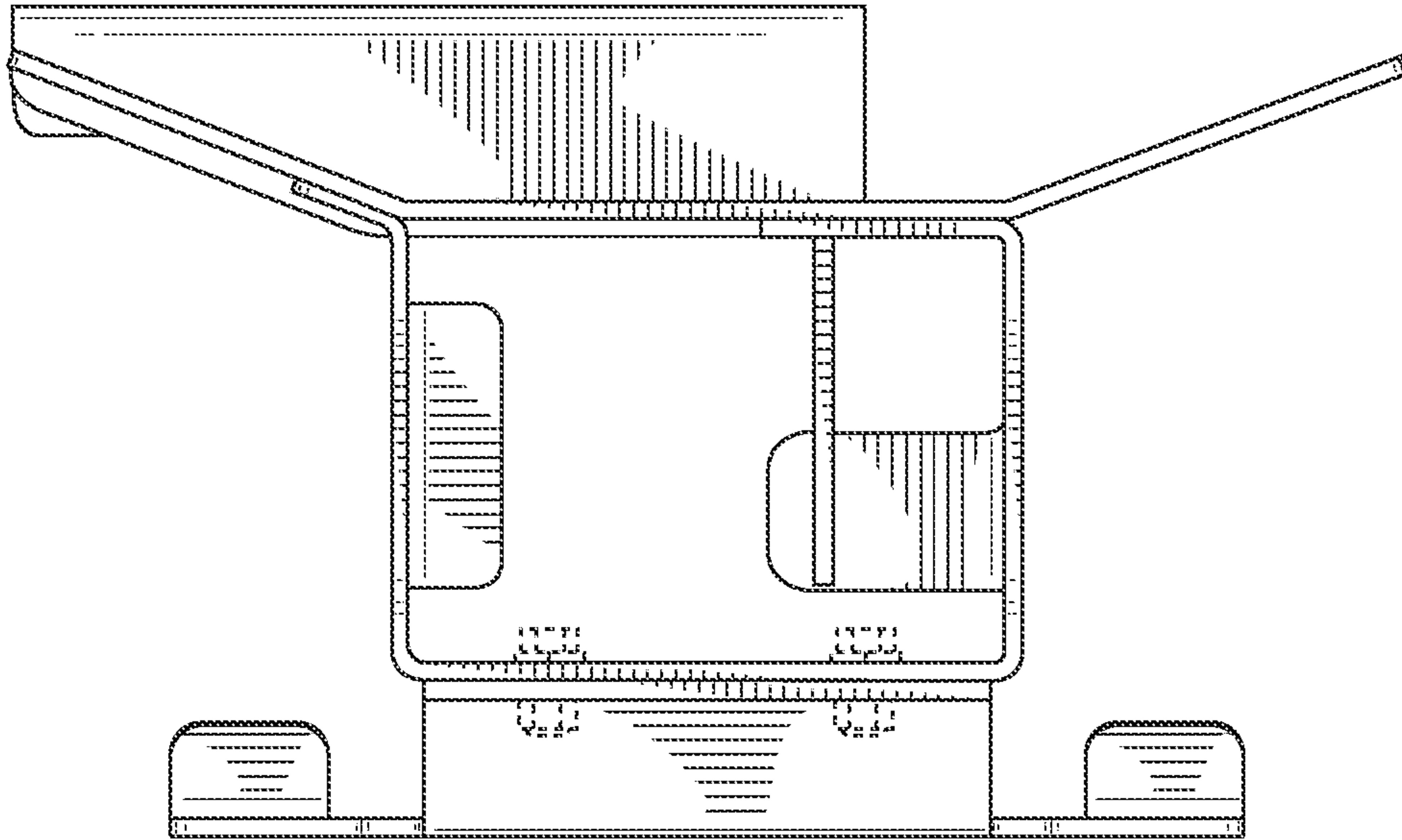


FIG. 2

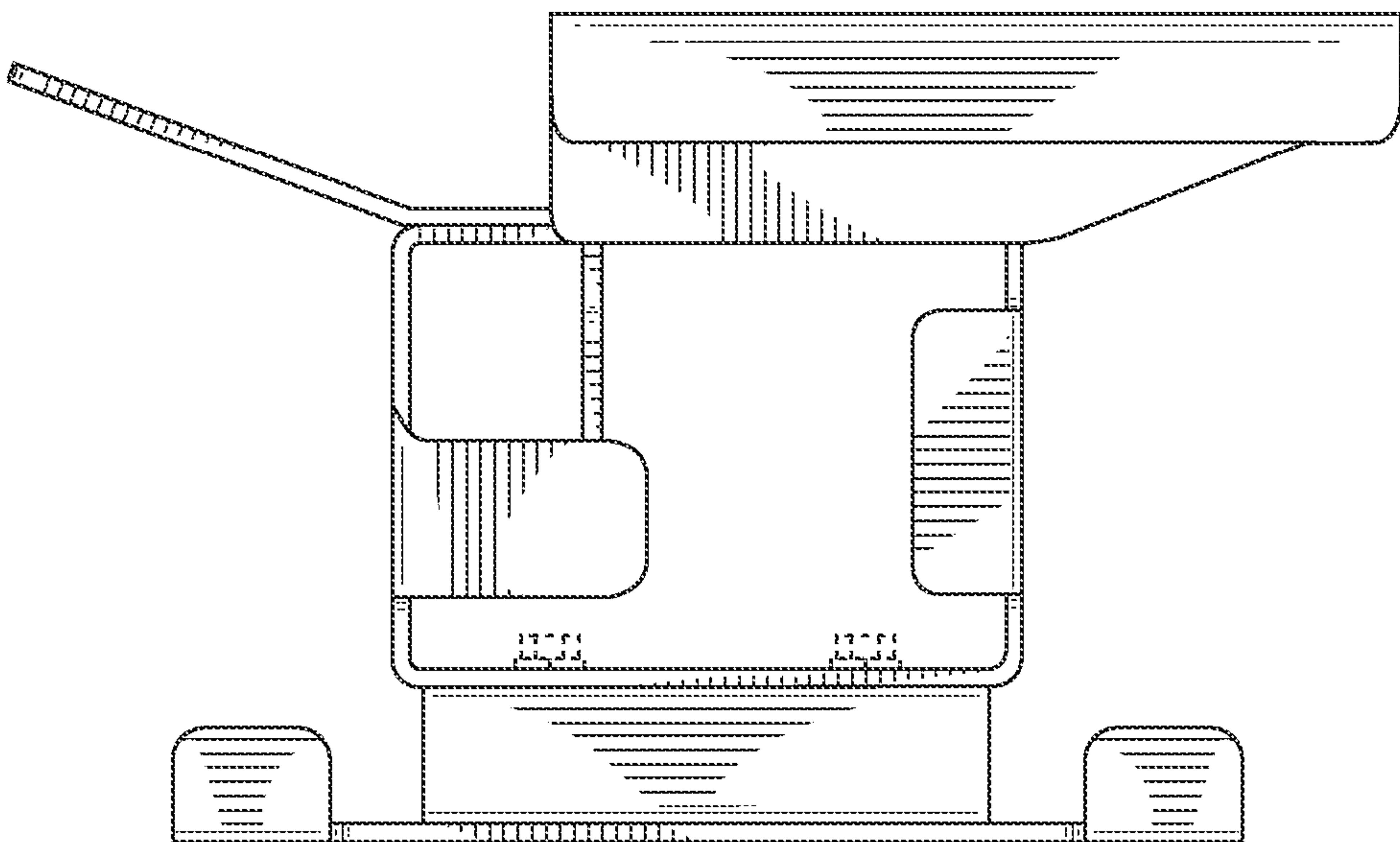


FIG. 3

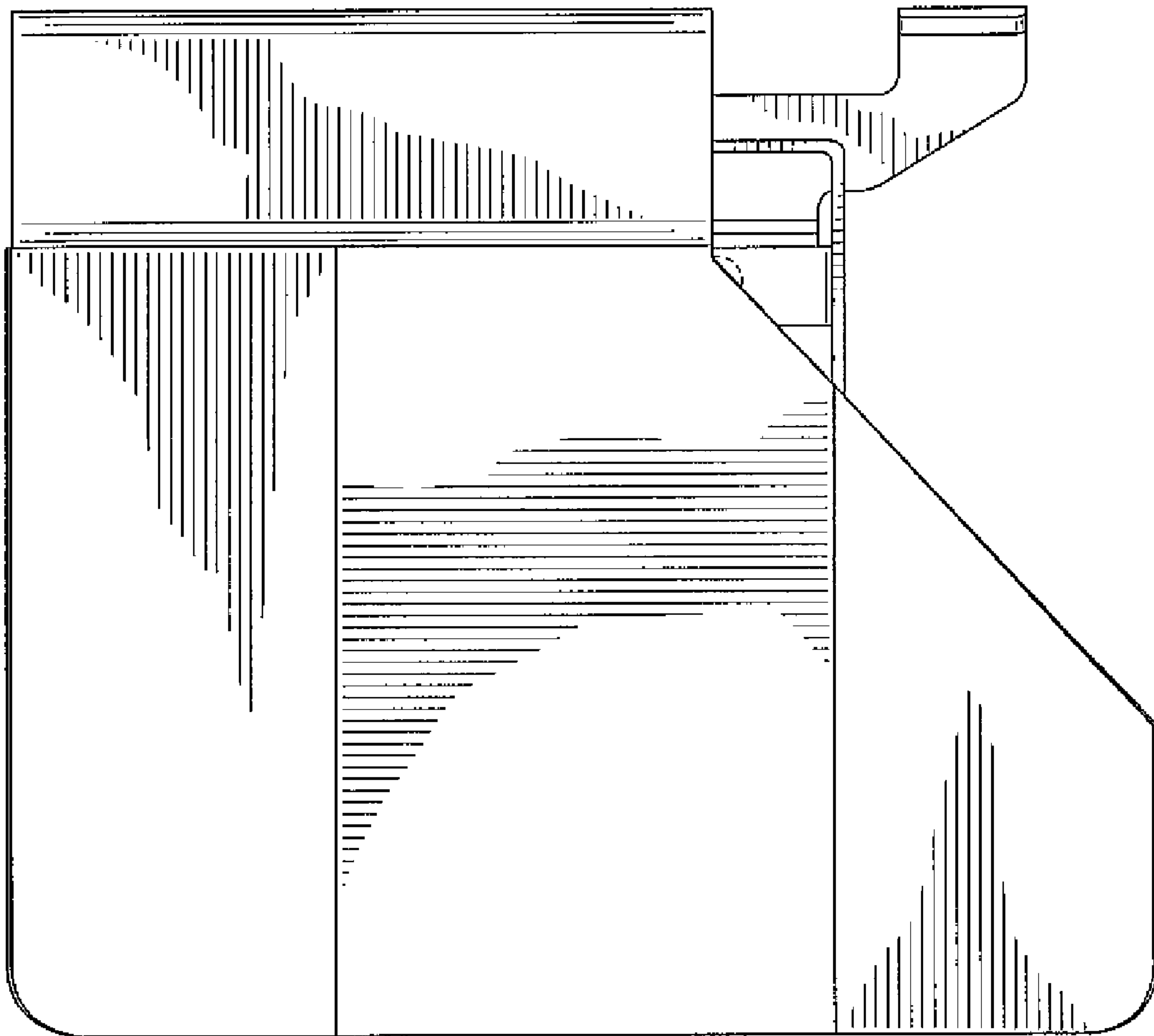


FIG. 4



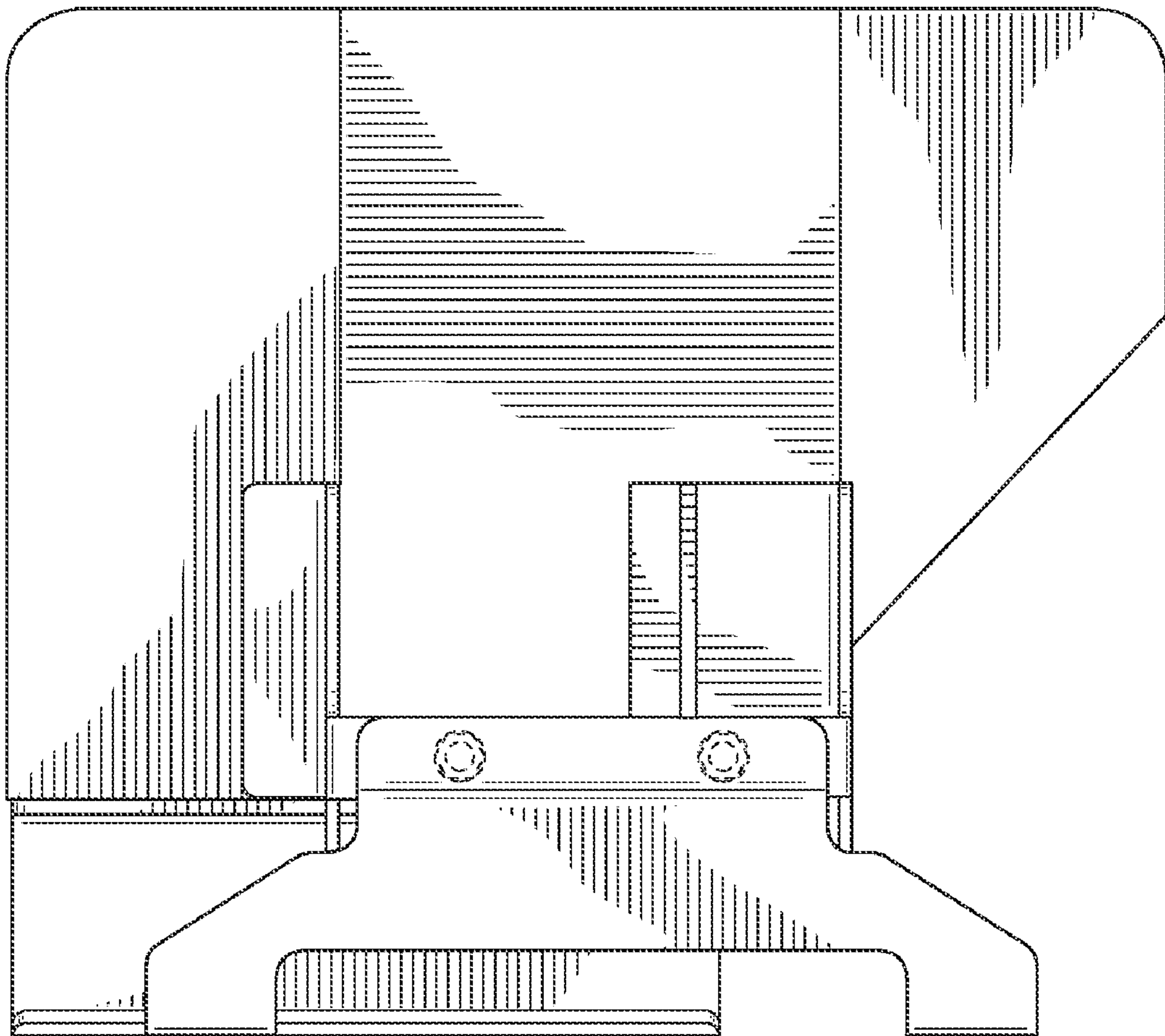


FIG. 5

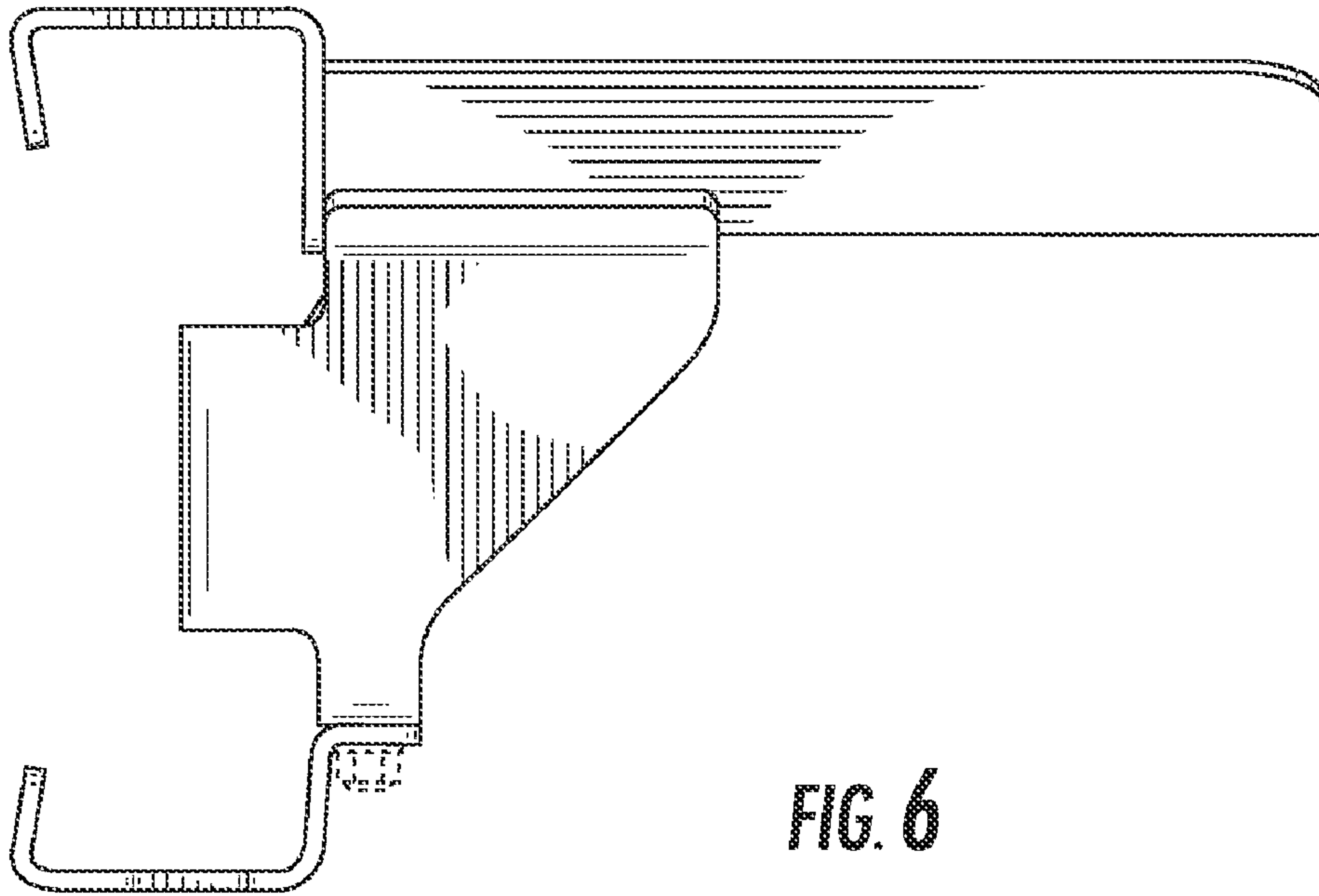


FIG. 6

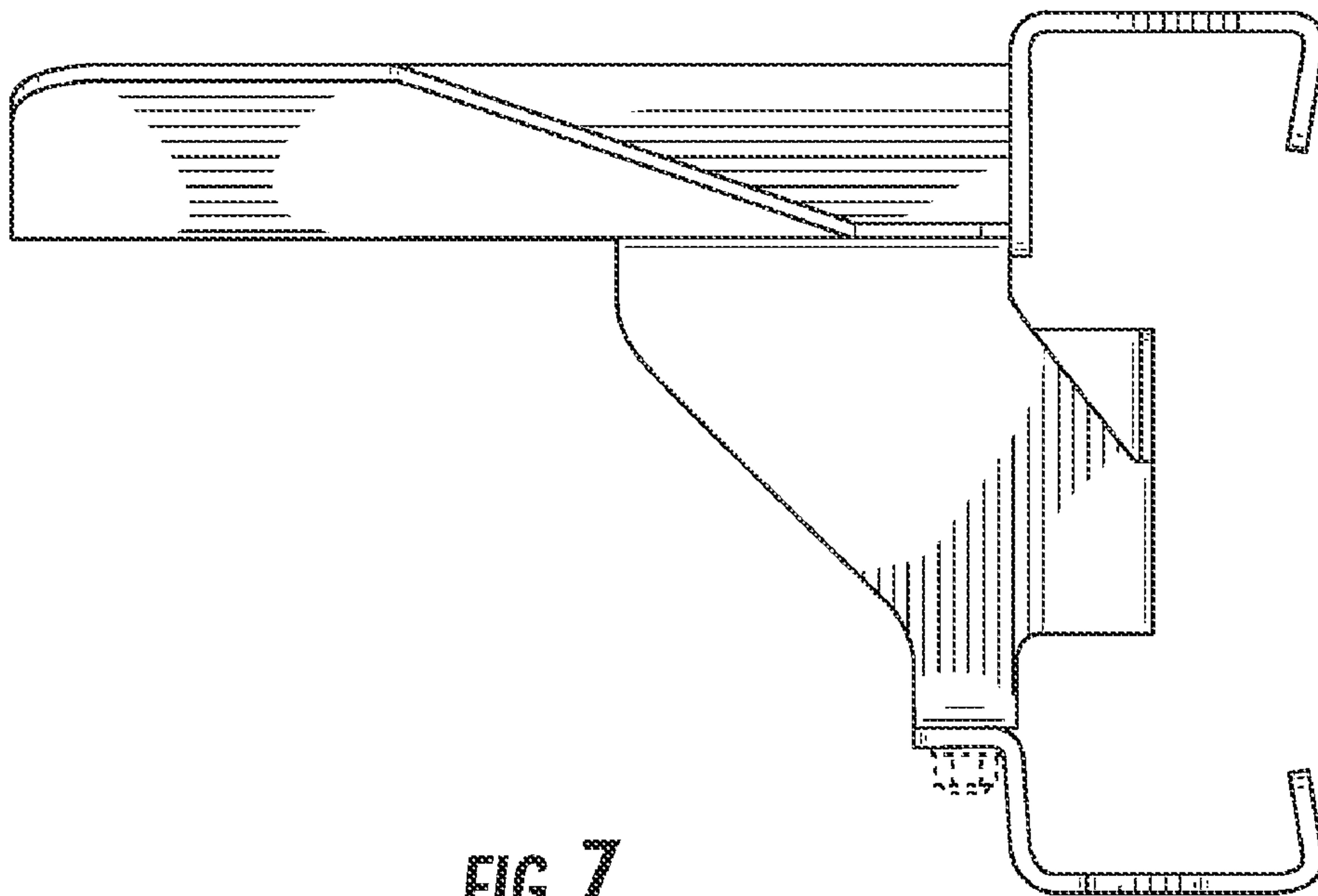


FIG. 7

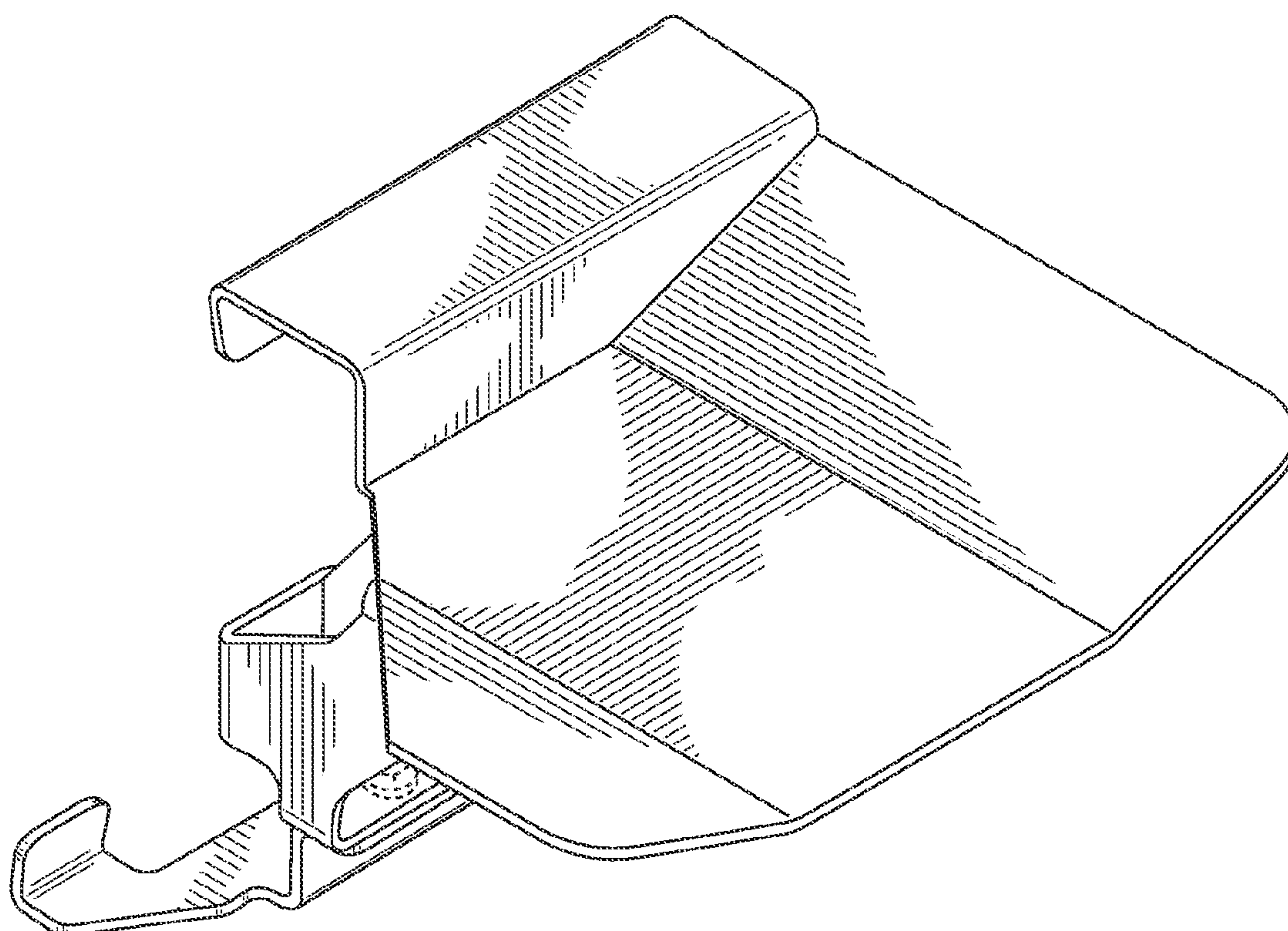


FIG. 8