



US00D642096S

(12) **United States Design Patent**
Taylor

(10) **Patent No.:** **US D642,096 S**

(45) **Date of Patent:** **** Jul. 26, 2011**

(54) **TRICYCLE**

(76) Inventor: **Charles Taylor**, Irvine, CA (US)

(**) Term: **14 Years**

(21) Appl. No.: **29/376,571**

(22) Filed: **Oct. 8, 2010**

(51) **LOC (9) Cl.** **12-11**

(52) **U.S. Cl.** **D12/112**

(58) **Field of Classification Search** D12/111-113,
D12/407, 15, 114, 414.1, 425, 426, 432, 537;
D21/431, 435, 426, 432, 537, 428, 538; 280/202,
280/282, 259, 263, 270, 281.1, 288.2, 62,
280/304.5, 769; 224/400, 412, 419, 422,
224/425-431, 433, 42.11, 280, 42.13; 296/37.1
See application file for complete search history.

(56) **References Cited**

U.S. PATENT DOCUMENTS

2,158,618	A *	5/1939	Dobrowolski	280/202
D154,342	S *	6/1949	Smith	D12/113
2,944,833	A *	7/1960	Wintermantel et al.	280/282
3,664,683	A *	5/1972	Gobby	280/202
D234,353	S *	2/1975	Bingham	D12/112
3,931,989	A *	1/1976	Nagamitsu	280/283
D280,890	S *	10/1985	Trudo et al.	D12/112
D289,273	S *	4/1987	Berger	D12/112
D308,499	S *	6/1990	Berger	D12/112
D344,696	S *	3/1994	Rowedder	D12/112
D425,827	S *	5/2000	Robinson	D12/112
D620,427	S *	7/2010	Madsen	D12/407

* cited by examiner

Primary Examiner — Susan M Lee

Assistant Examiner — Linda Brooks

(74) *Attorney, Agent, or Firm* — Knobbe Martens Olson & Bear, LLP

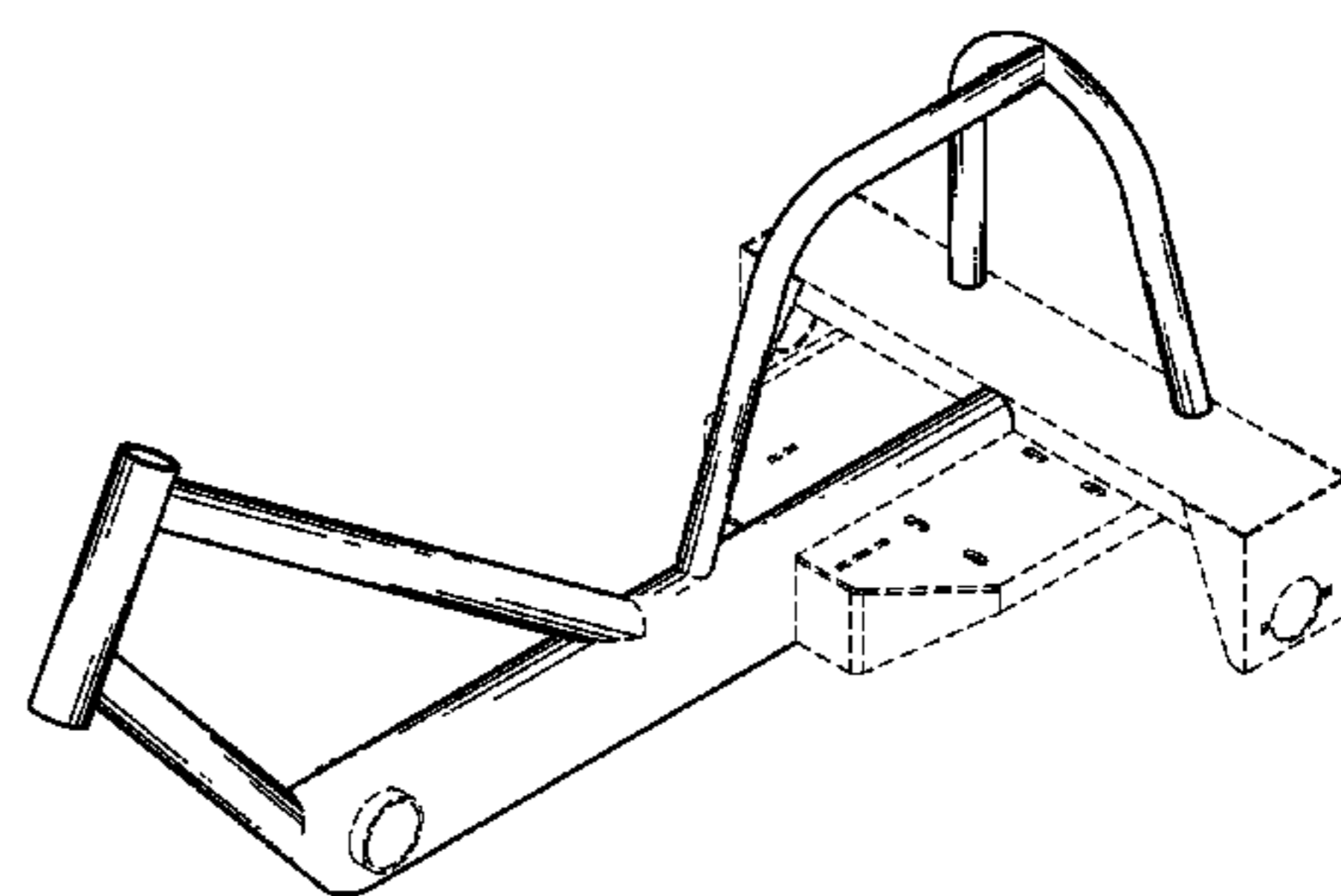
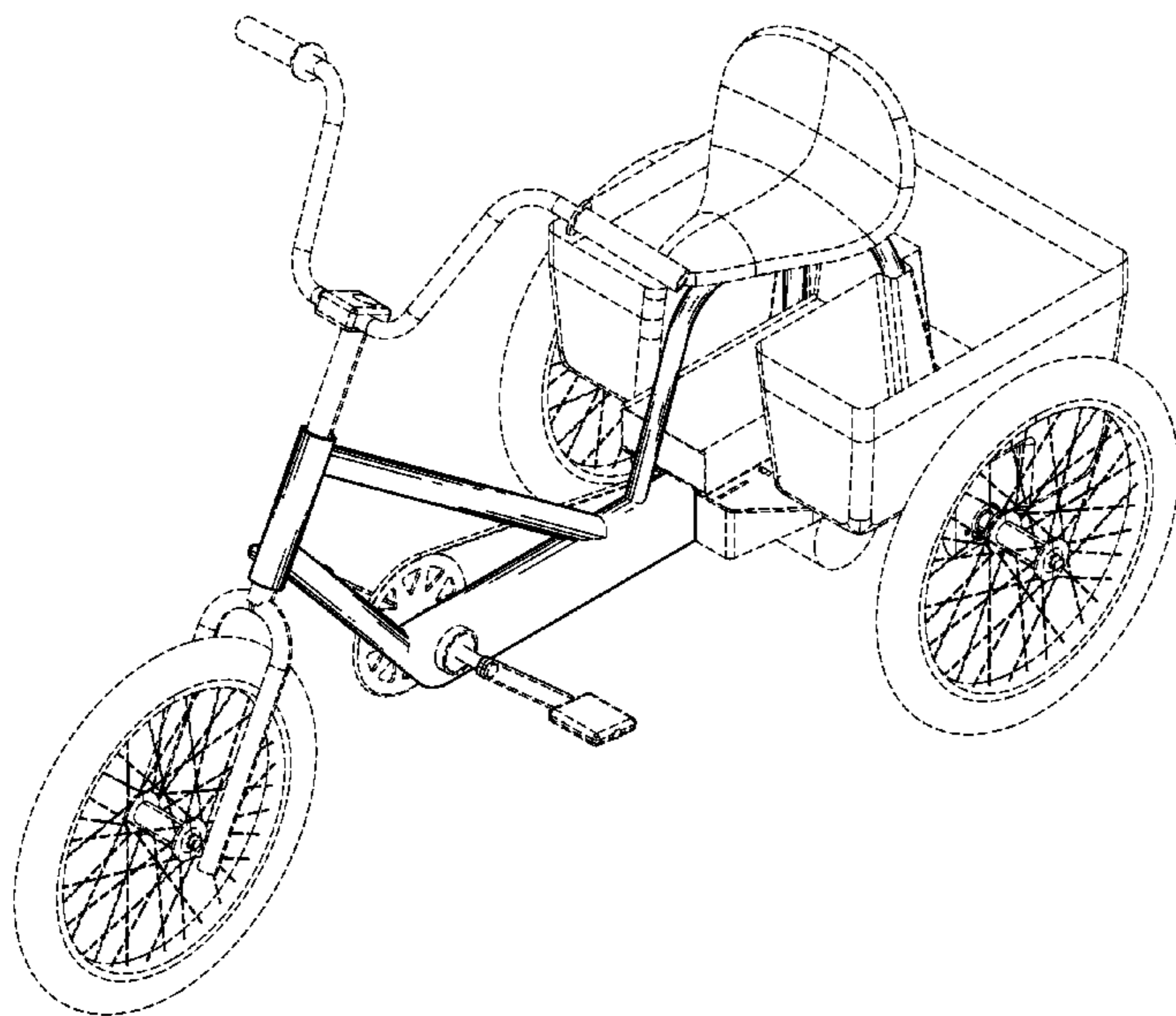
(57) **CLAIM**

The ornamental design for a tricycle, as shown and described.

DESCRIPTION

FIG. 1 is a perspective view as viewed from a front side of a tricycle configured in accordance with a preferred embodiment of the present invention;
FIG. 2 is a front view of the tricycle of FIG. 1;
FIG. 3 is a rear view of the tricycle of FIG. 1;
FIG. 4 is a left side view of the tricycle of FIG. 1;
FIG. 5 is a right side view of the tricycle of FIG. 1;
FIG. 6 is a top plan view of the tricycle of FIG. 1;
FIG. 7 is a bottom view of the tricycle of FIG. 1;
FIG. 8 is a front perspective view of the tricycle of FIG. 1, with fewer features shown in broken lines;
FIG. 9 is a front view of the tricycle of FIG. 8;
FIG. 10 is a rear view of the tricycle of FIG. 8;
FIG. 11 is a left side view of the tricycle of FIG. 8;
FIG. 12 is a right side view of the tricycle of FIG. 8;
FIG. 13 is a top plan view of the tricycle of FIG. 8; and,
FIG. 14 is a bottom view of the tricycle of FIG. 8.
The broken lines illustrate environmental structure and portions of a tricycle that form no part of the claimed design.

1 Claim, 14 Drawing Sheets



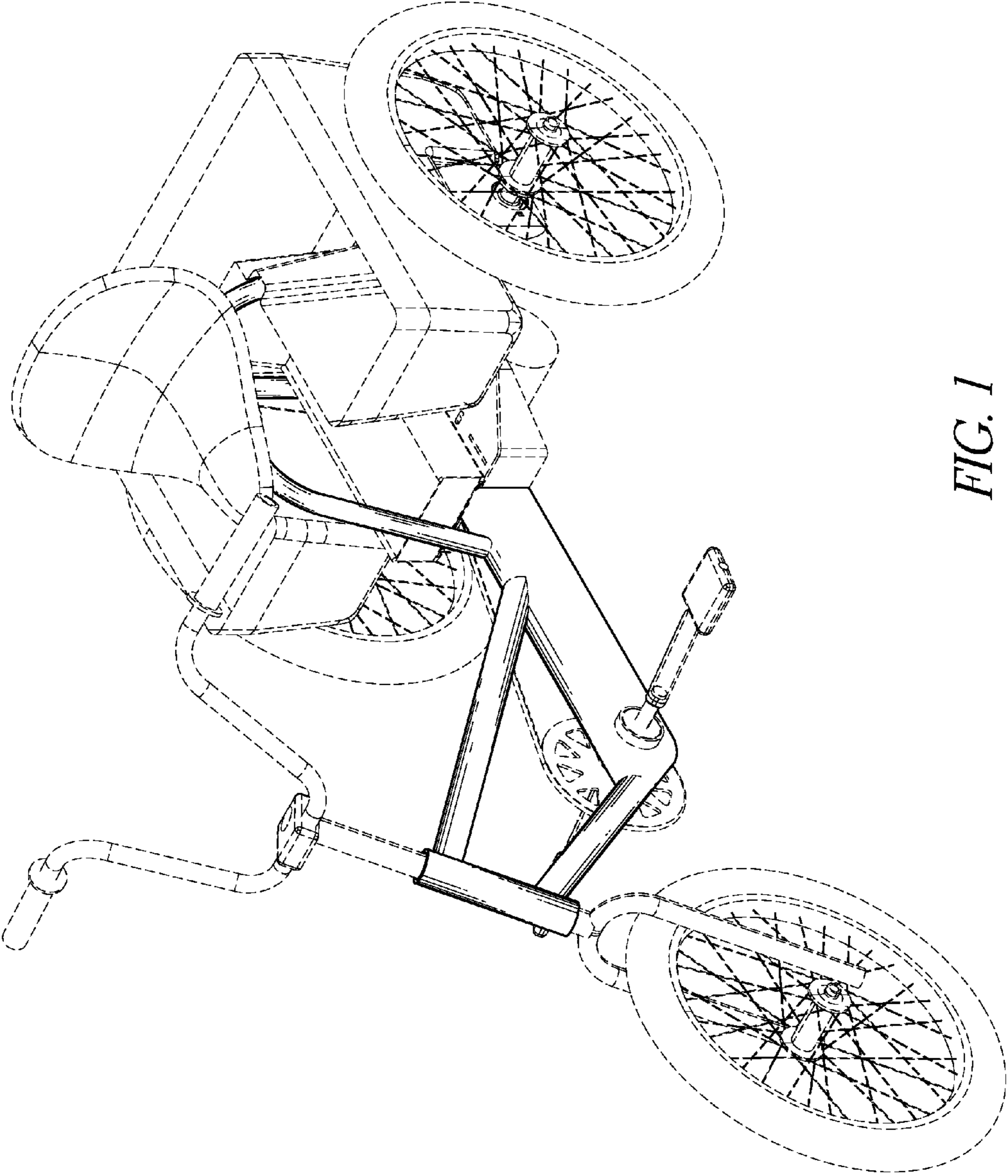


FIG. 1

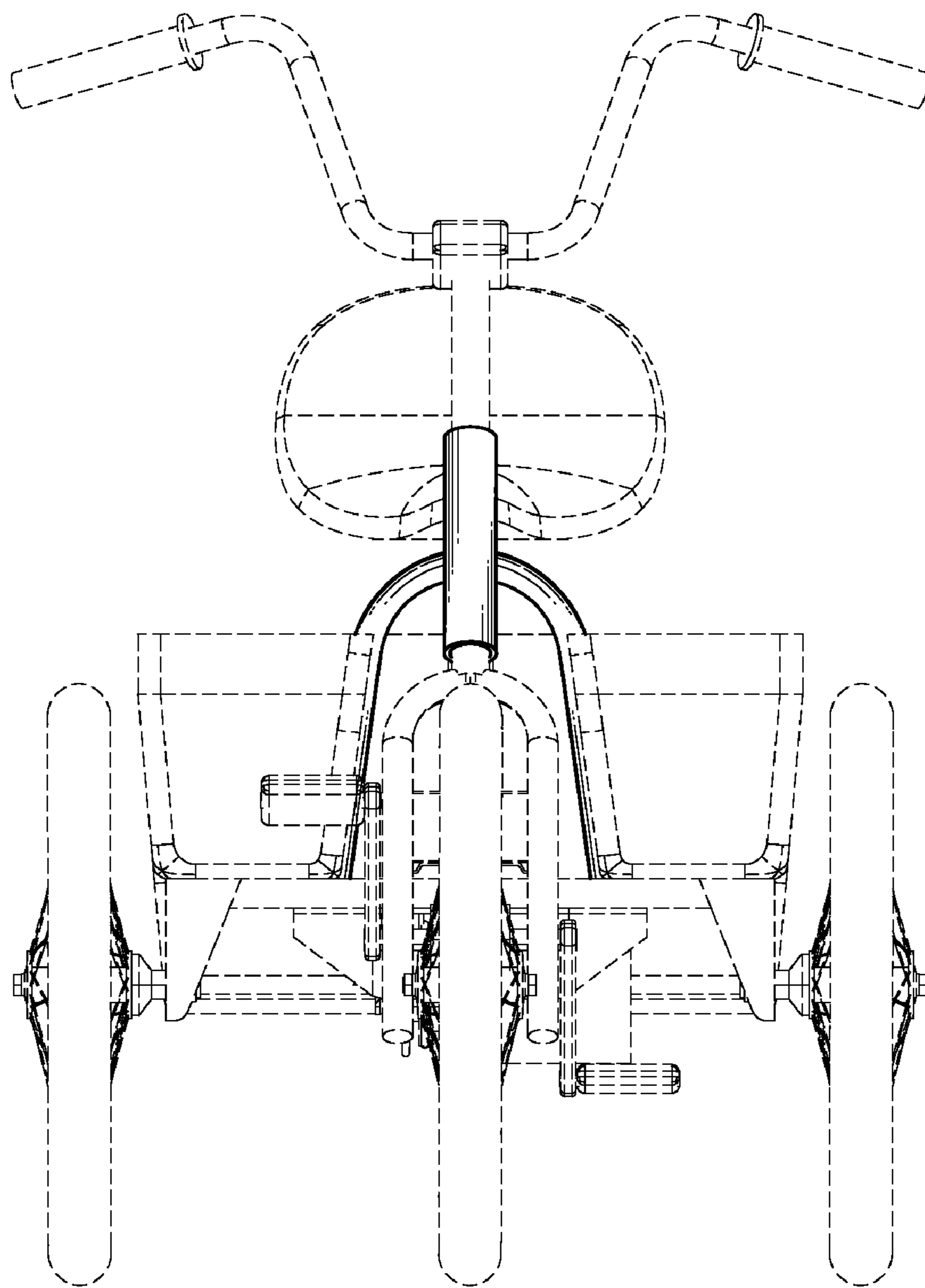


FIG. 2

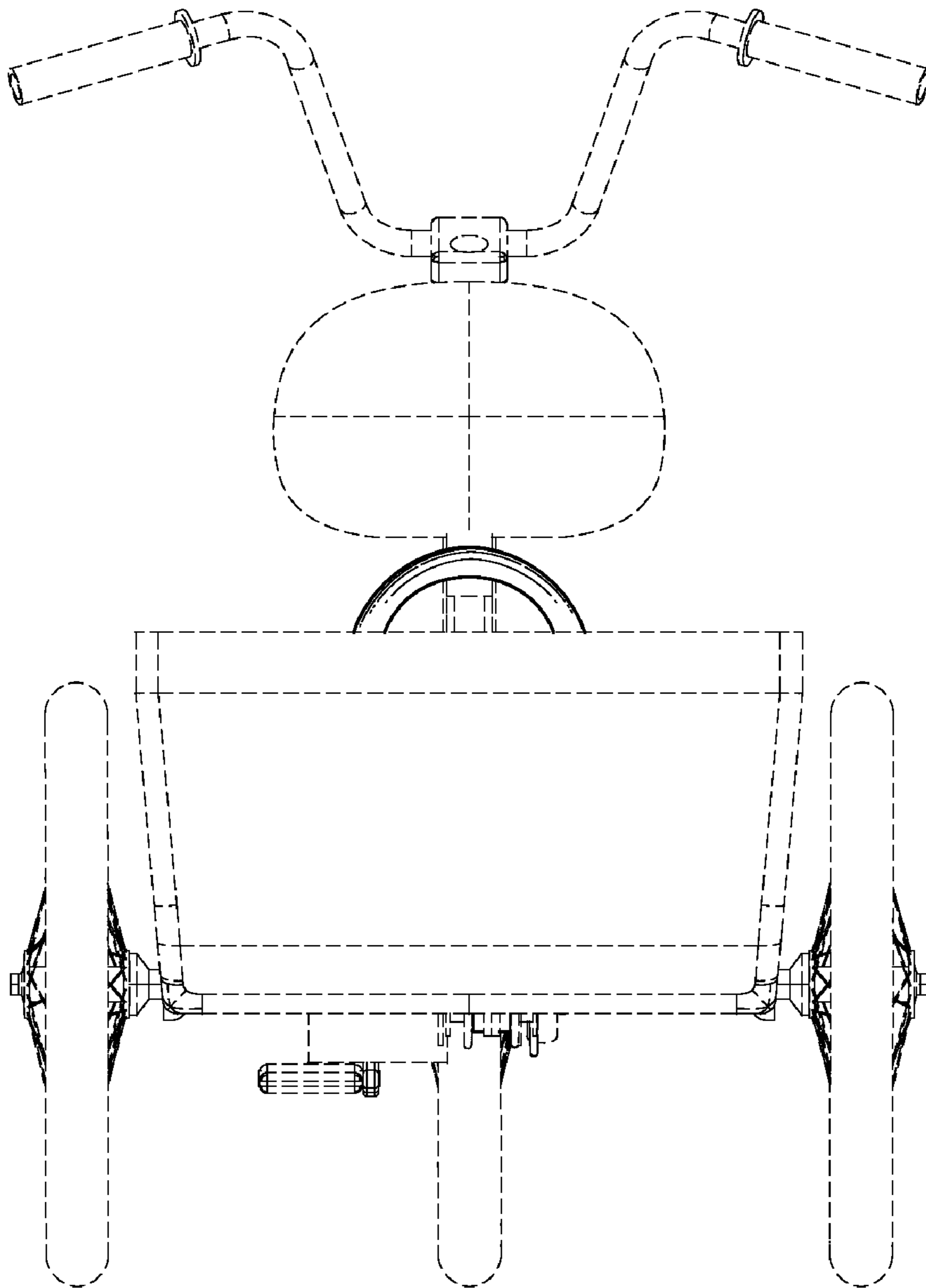


FIG. 3

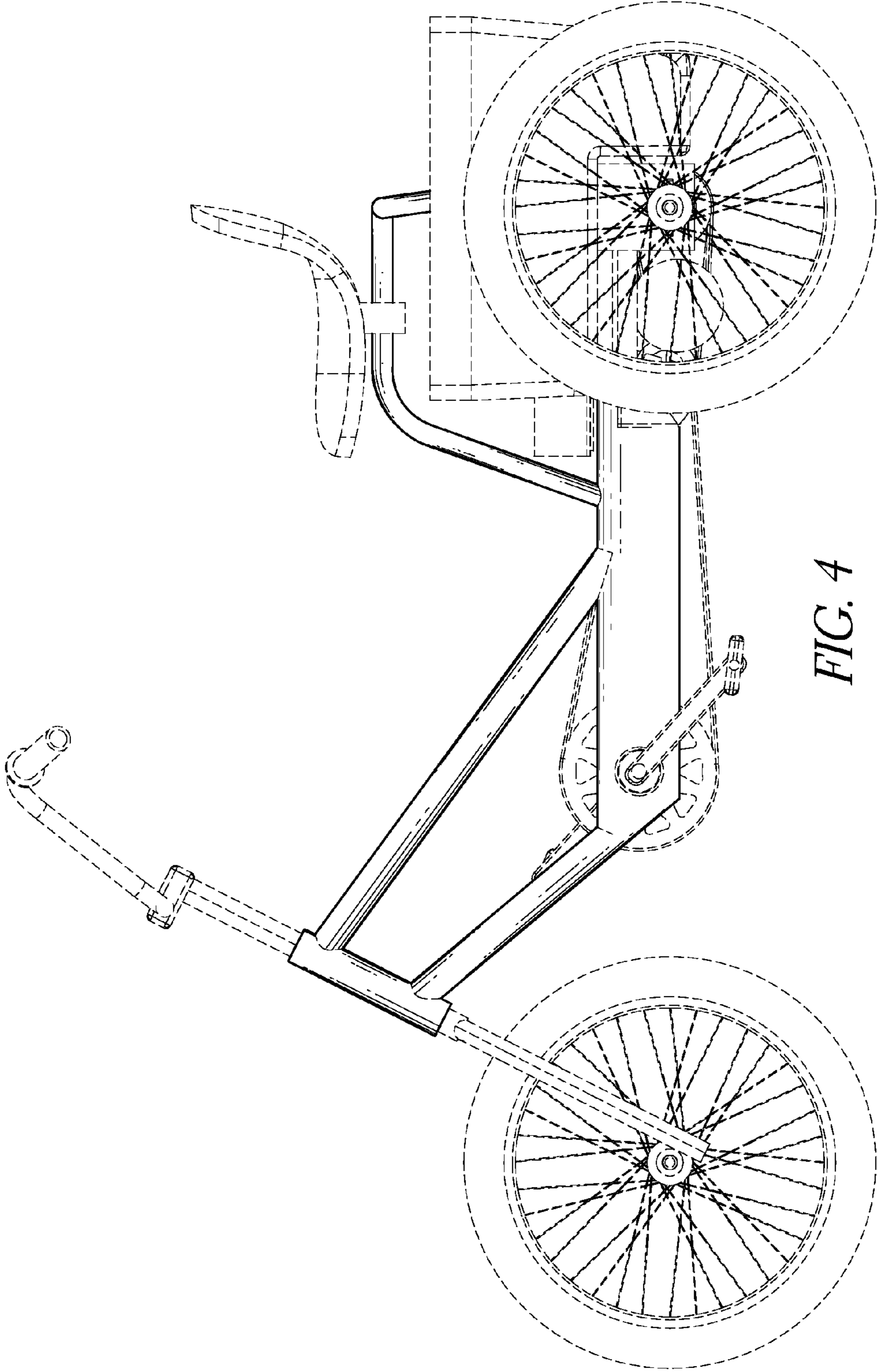


FIG. 4

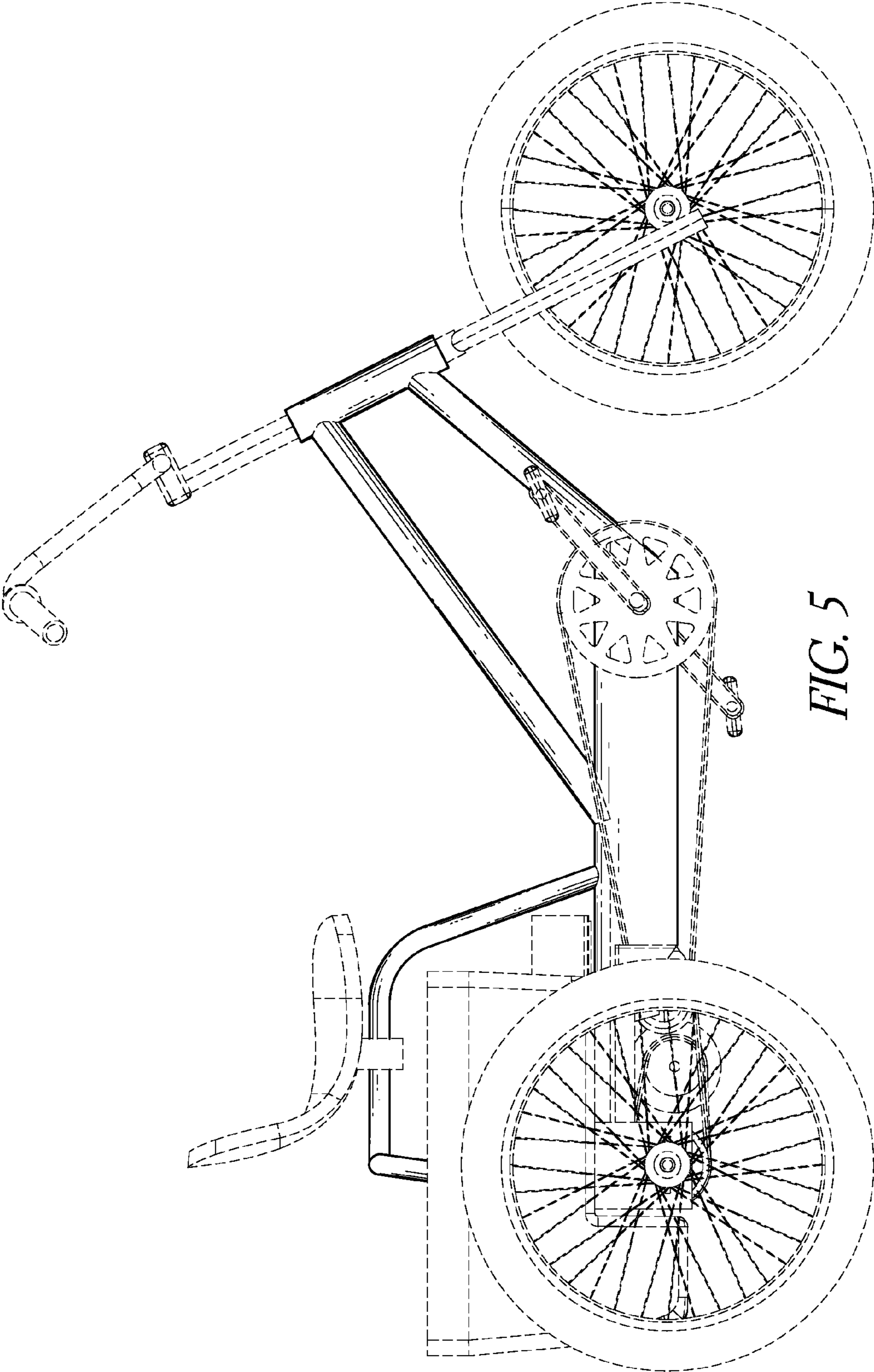


FIG. 5

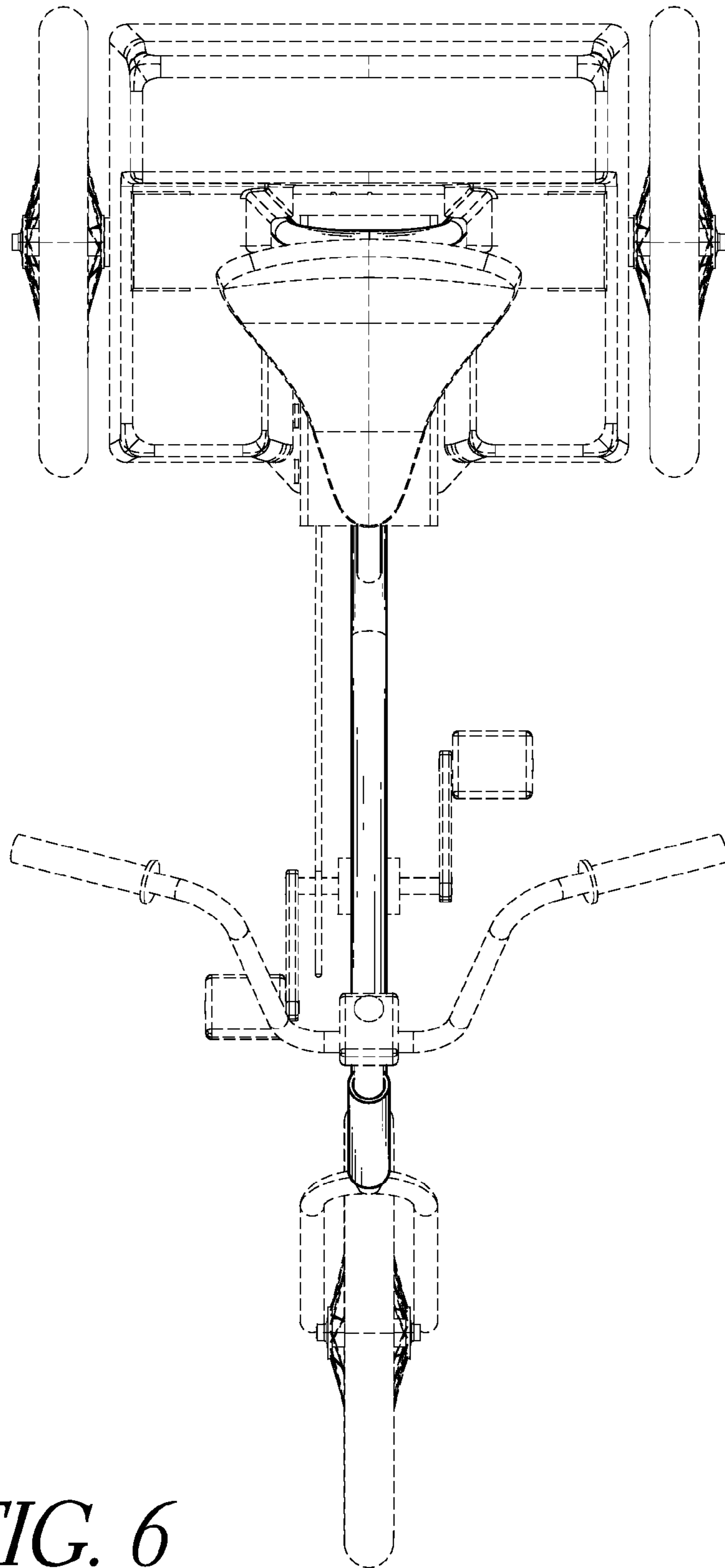
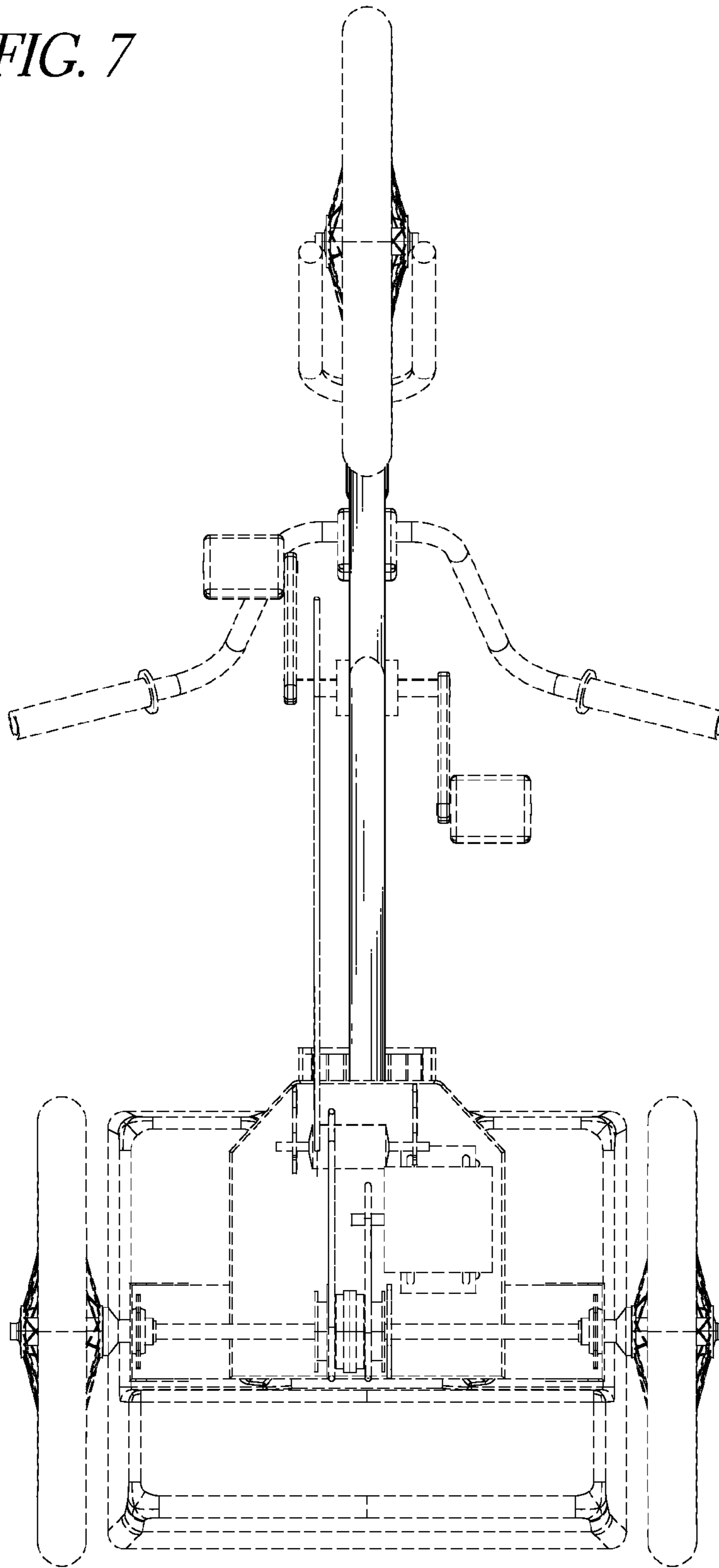


FIG. 6

FIG. 7



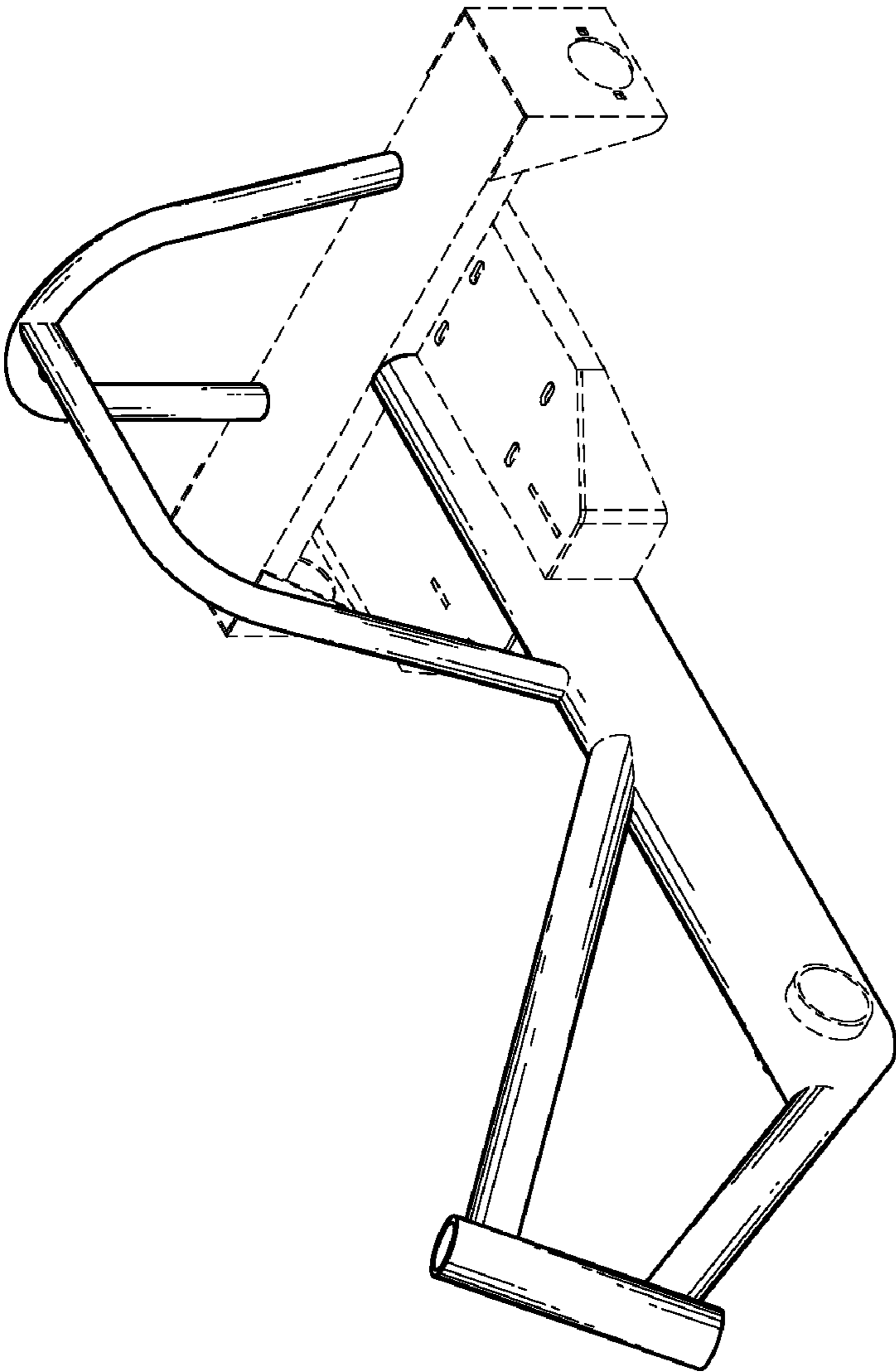


FIG. 8

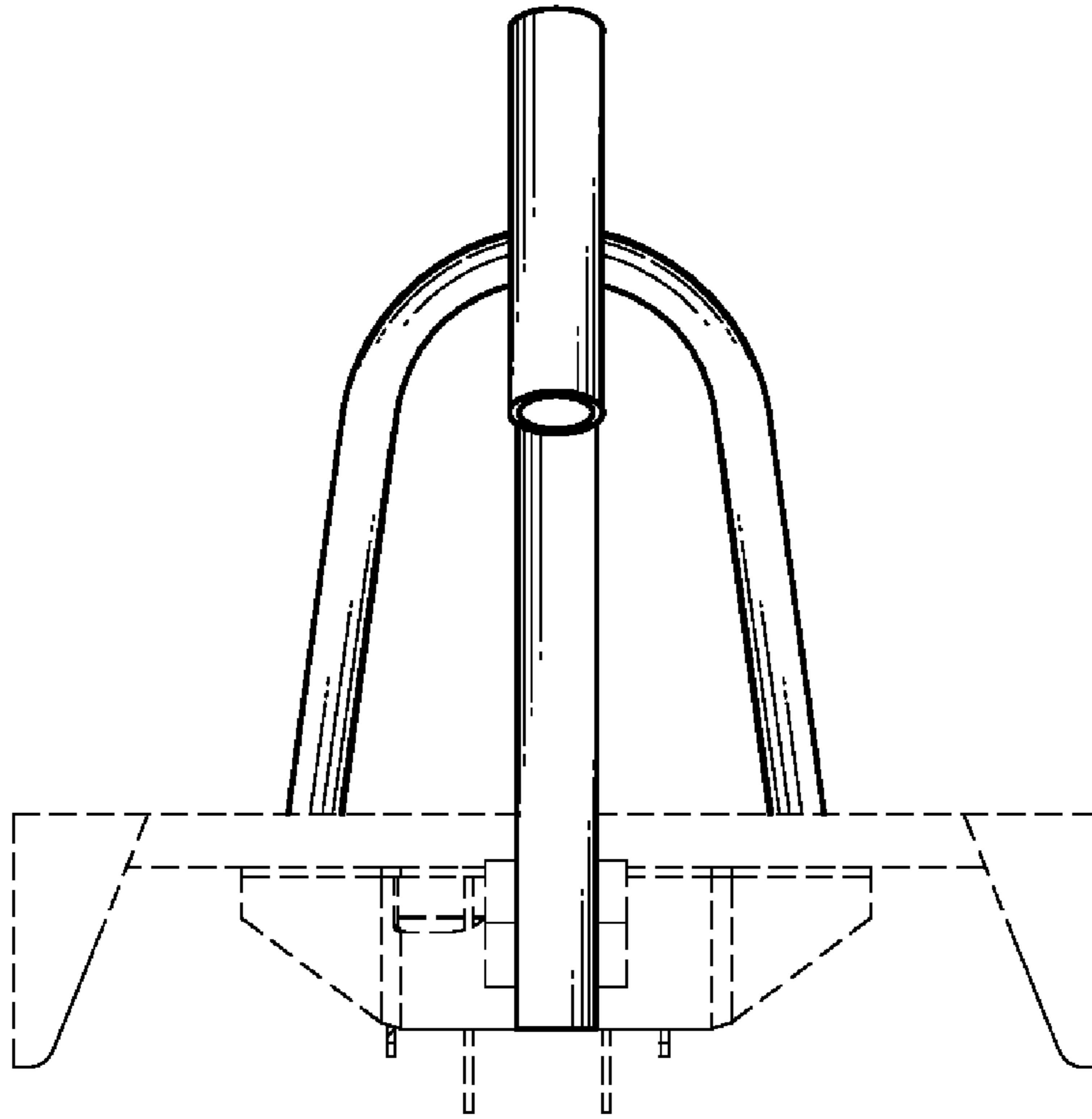


FIG. 9

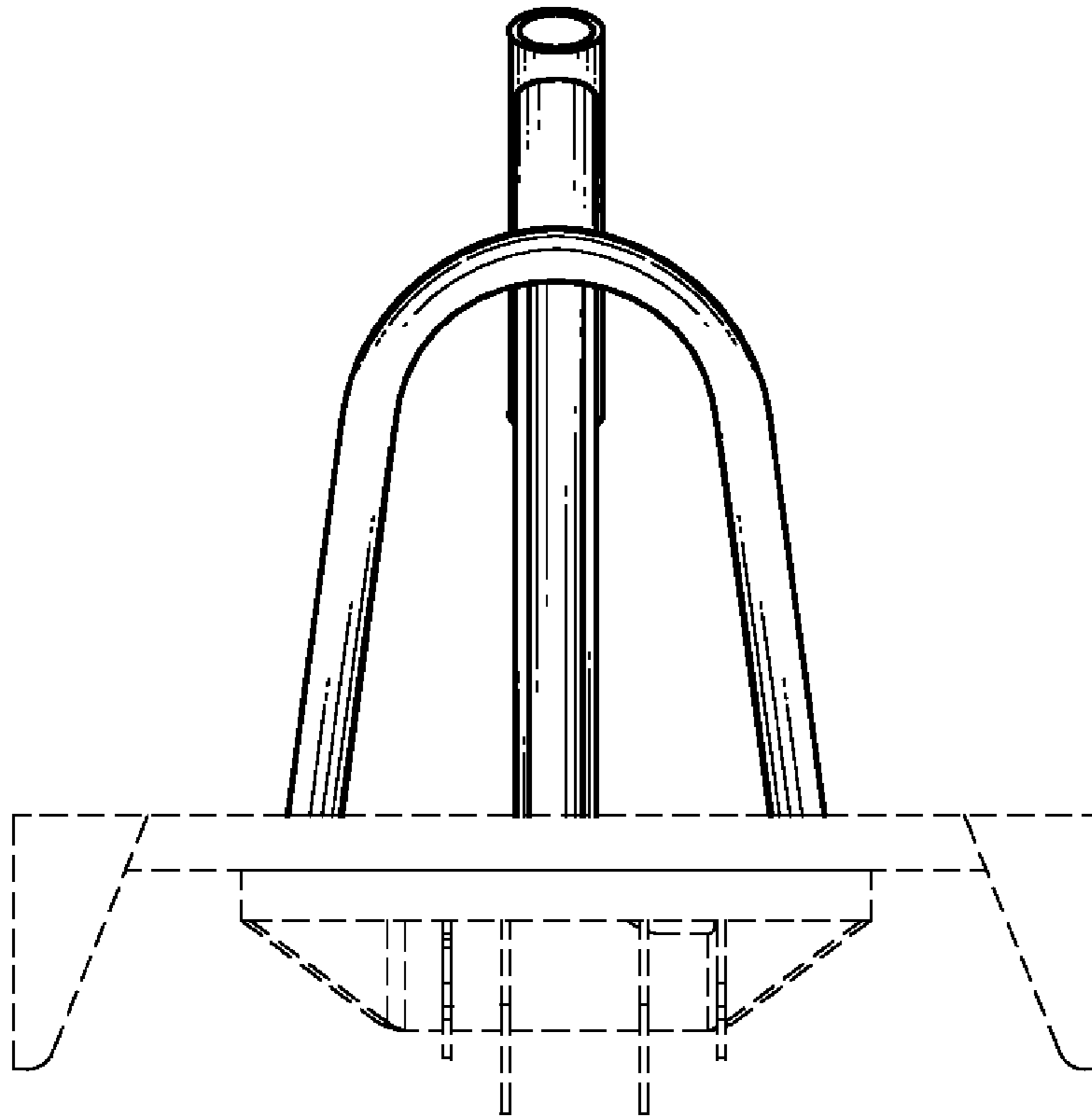


FIG. 10

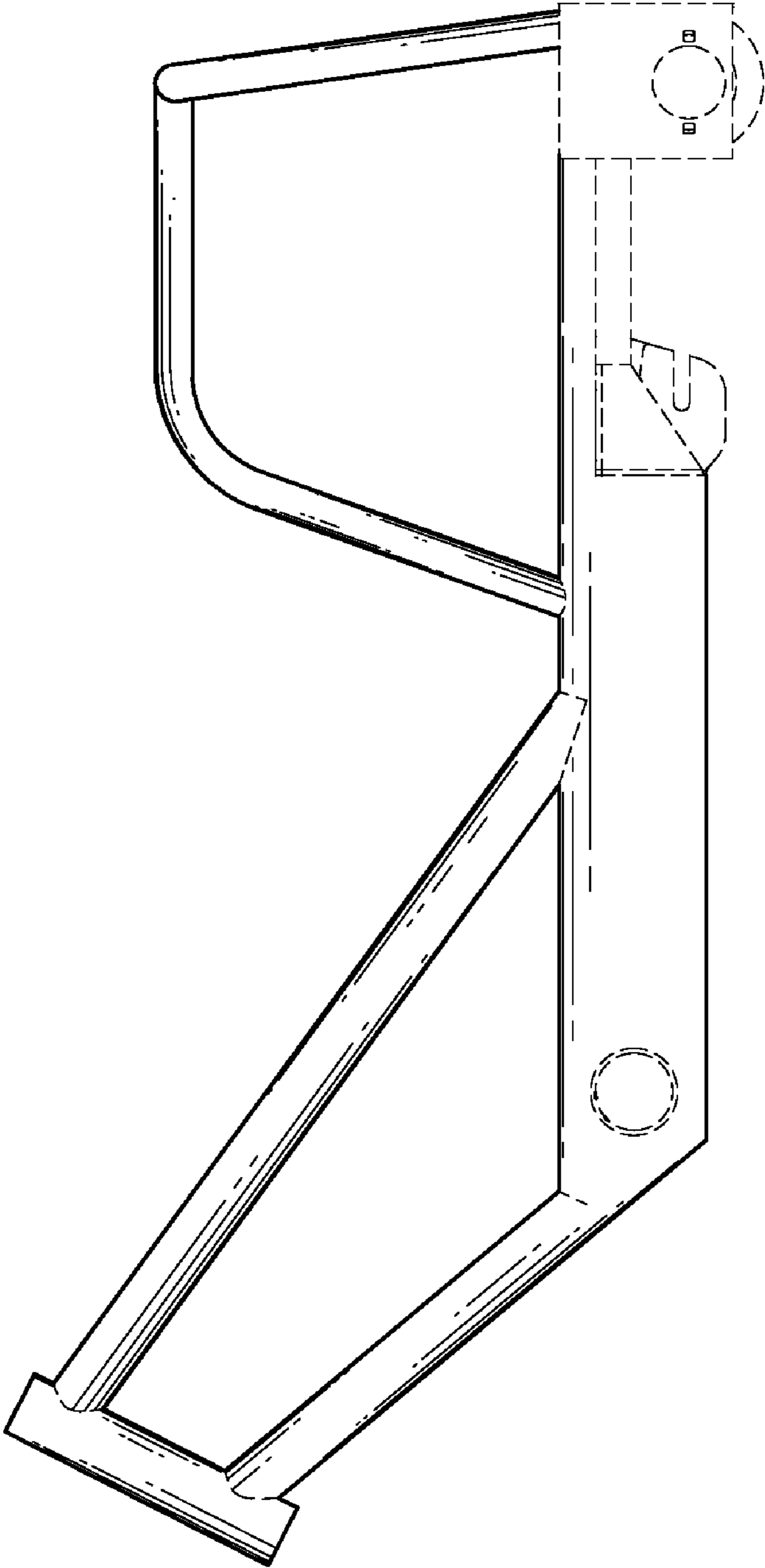


FIG. 11

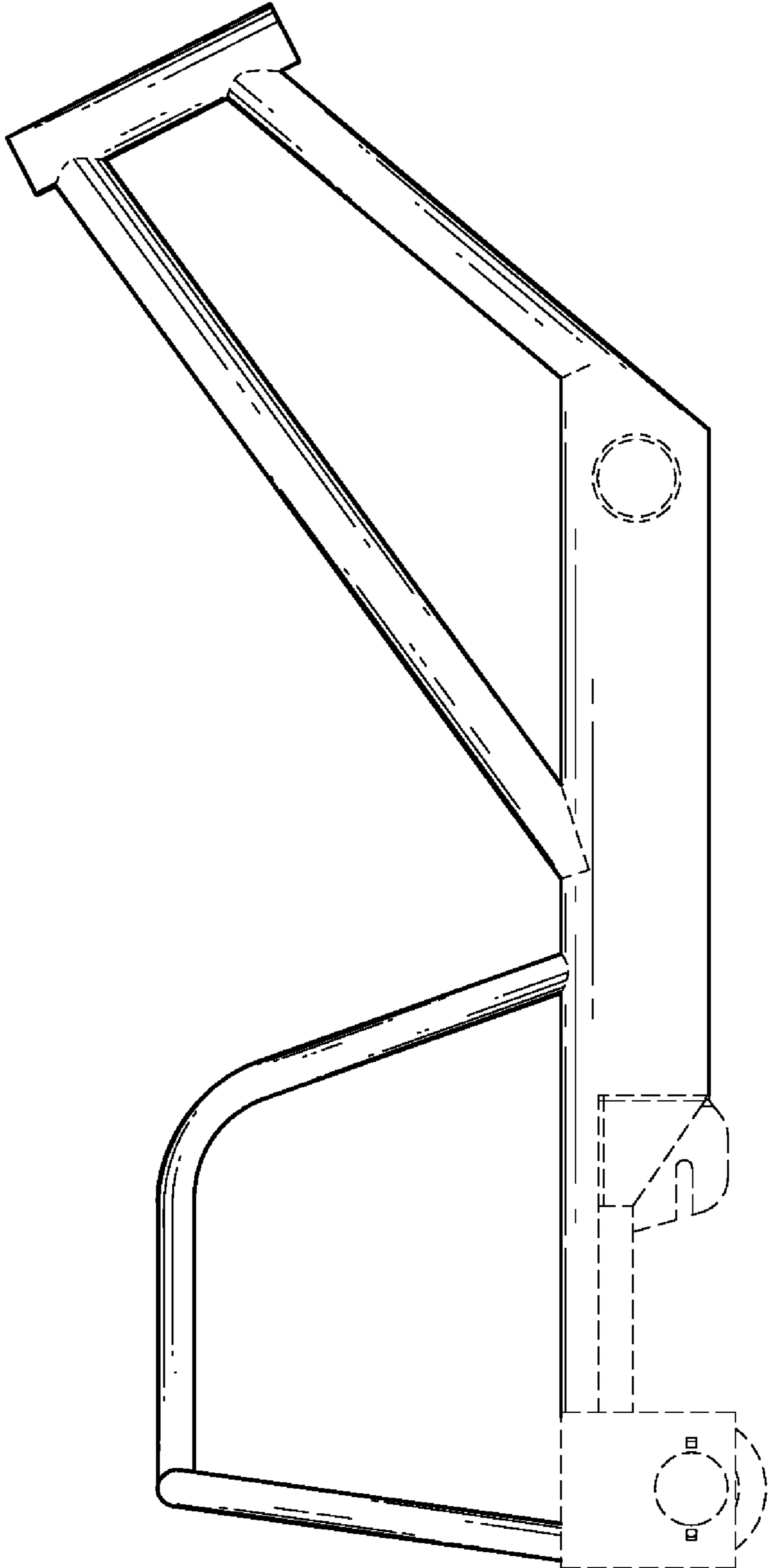


FIG. 12

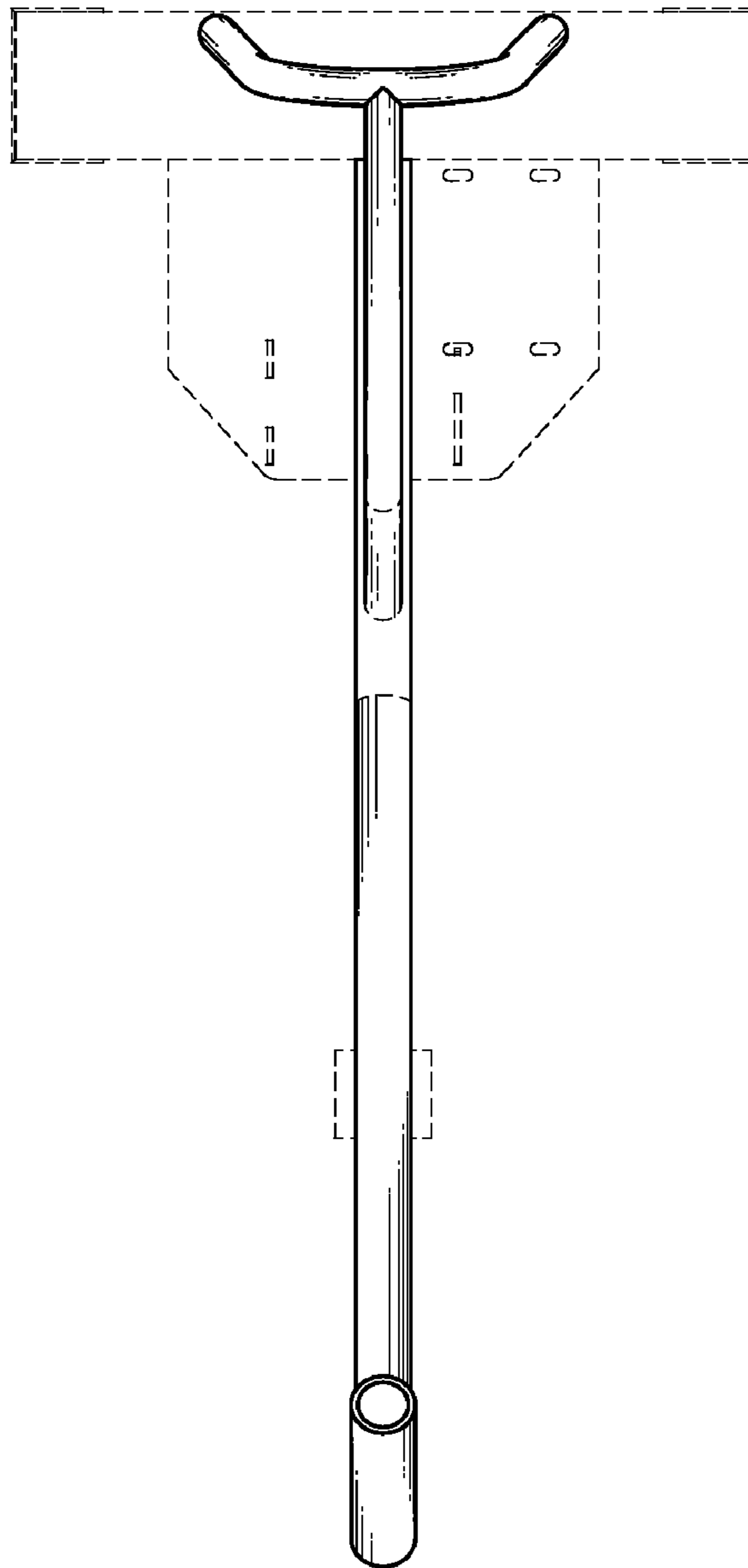


FIG. 13

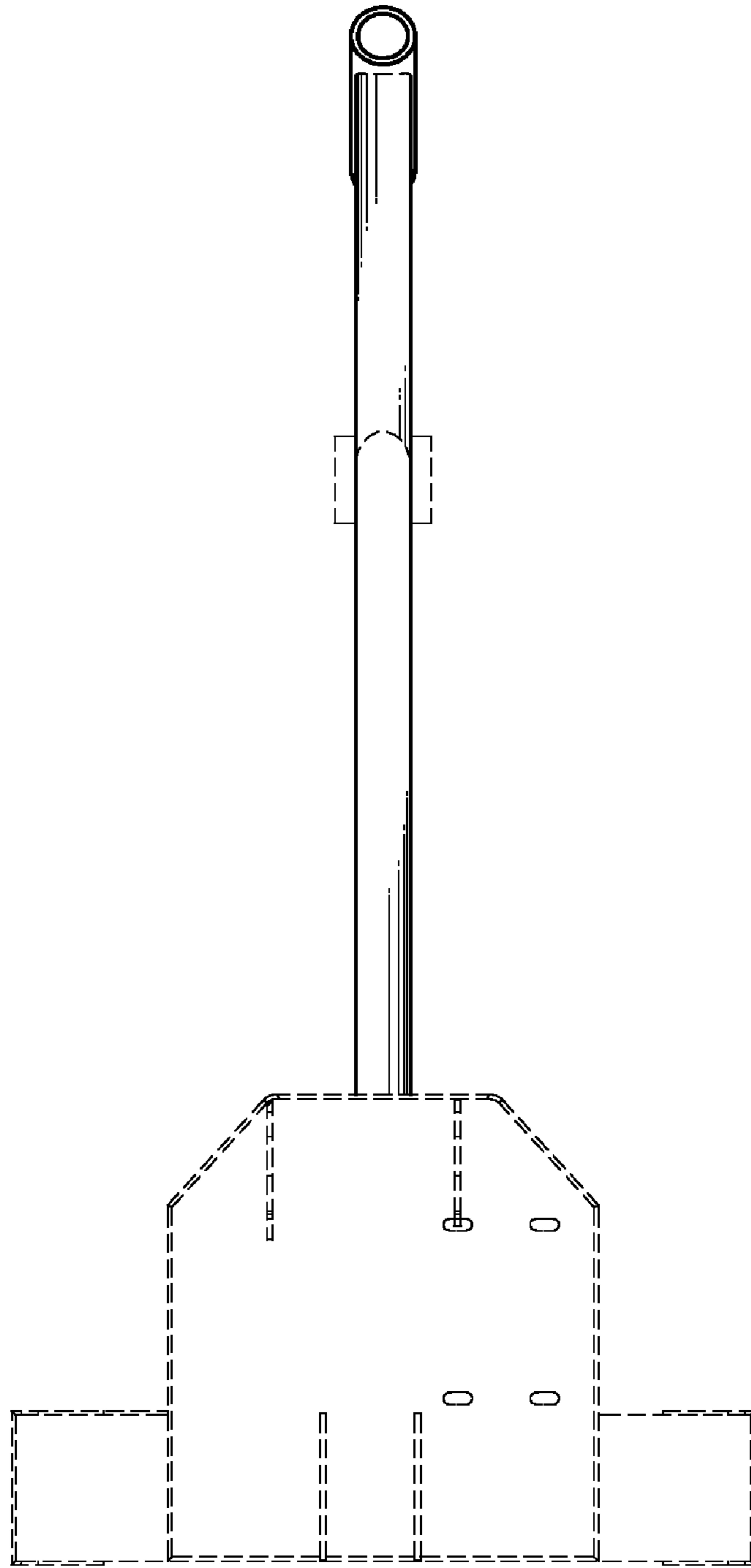


FIG. 14