



US00D642095S

(12) **United States Design Patent**
Jacobs

(10) **Patent No.:** **US D642,095 S**
(45) **Date of Patent:** **** Jul. 26, 2011**

(54) **CARRIER BICYCLE**

(75) Inventor: **Imre Peter Jacobs**, Utrecht (NL)

(73) Assignee: **Babboe B.V.**, Amersfoort (NL)

(**) Term: **14 Years**

(21) Appl. No.: **29/367,538**

(22) Filed: **Aug. 10, 2010**

(30) **Foreign Application Priority Data**

Feb. 10, 2010 (EM) 001668013-0001

(51) **LOC (9) Cl.** **12-11**

(52) **U.S. Cl.** **D12/111; D12/407**

(58) **Field of Classification Search** D12/111,
D12/110, 107, 406, 407, 415, 410, 15, 114,
D12/414, 414.1, 425, 426; D21/431, 432,
D21/537, 538; 280/202, 259, 274-280, 281.1,
280/283-288, 288.2, 827, 828; D34/1, 3,
D34/5, 16, 17, 20, 24; D15/14, 15, 17, 22,
D15/26-28, 33; 224/412, 416, 417, 419-433,
224/276, 280, 400, 42.11; 296/37.1; 446/431,
446/440, 465, 470; 206/335; D6/510; D3/231,
D3/304, 315, 272, 273

See application file for complete search history.

(56) **References Cited**

U.S. PATENT DOCUMENTS

2,370,988 A * 3/1945 Neal 280/496
D197,708 S * 3/1964 Stith D12/15

D301,128 S * 5/1989 Simon D12/15
D620,427 S * 7/2010 Madsen D12/407
2010/0072726 A1* 3/2010 Madsen 280/202

* cited by examiner

Primary Examiner — Susan M Lee

Assistant Examiner — Linda Brooks

(74) *Attorney, Agent, or Firm* — Dennis G. LaPointe

(57) **CLAIM**

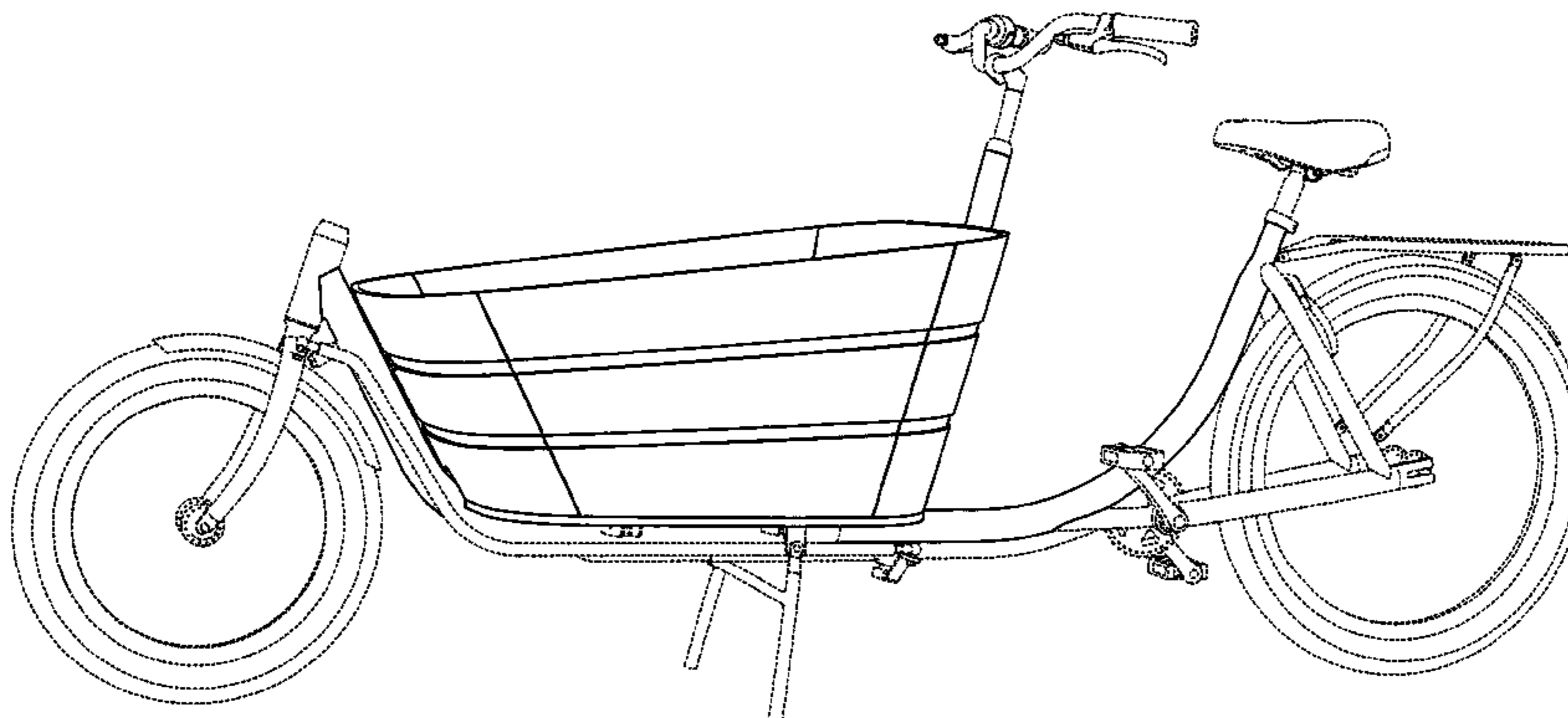
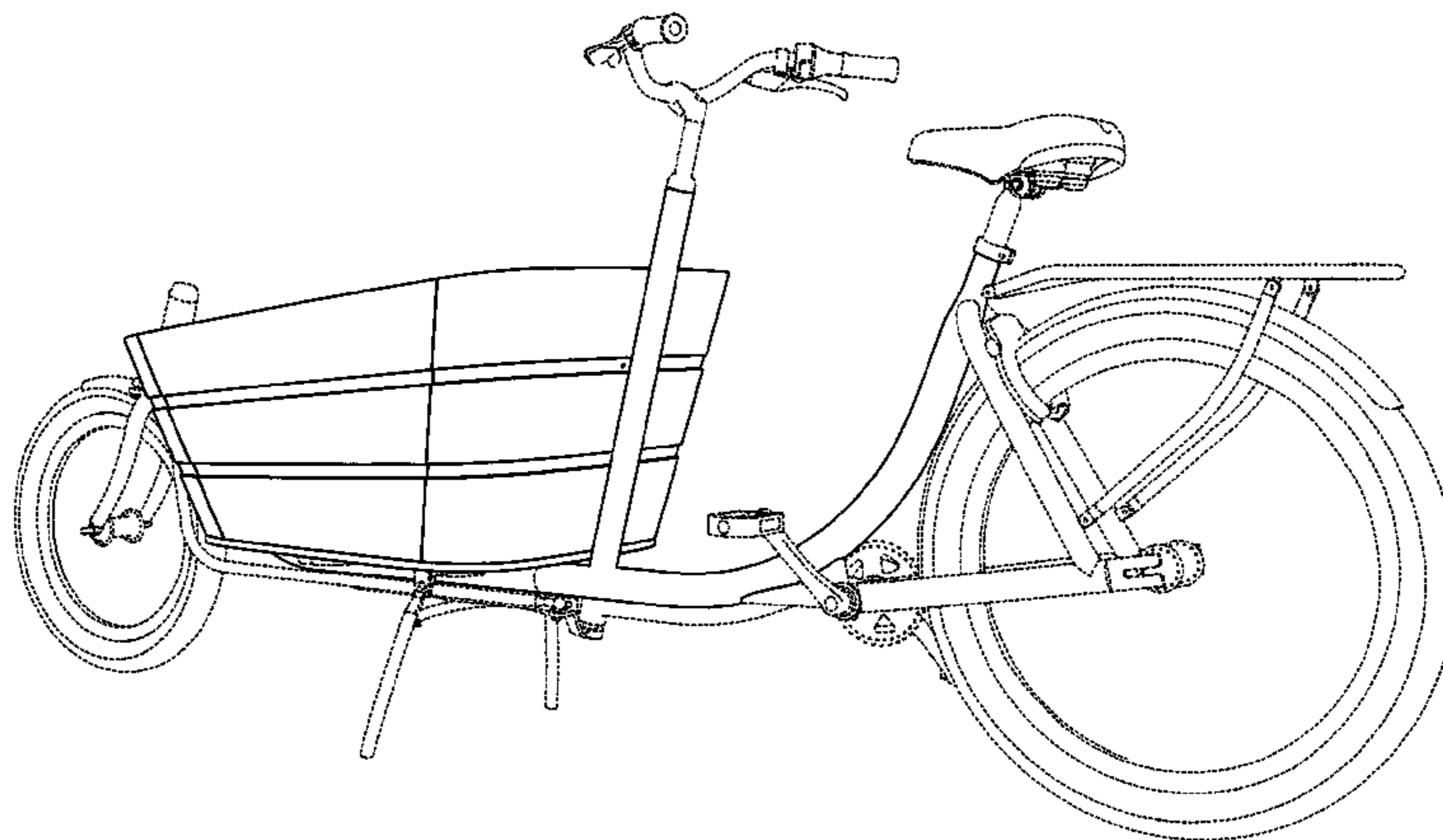
I claim the ornamental design for a carrier bicycle, as shown and described.

DESCRIPTION

FIG. 1 is a rear view of my new design;
FIG. 2 is a top view of my new design;
FIG. 3 is a front view of my new design;
FIG. 4 is a perspective left side view of my new design;
FIG. 5 is another perspective left side view of my new design;
and,

FIG. 6 is a left side view of my new design.
The right side views are not depicted as they are the mirror images of the left side views described above. The wheel spokes and tire treads are not shown and are disclaimed. The broken lines generally showing the bicycle structure illustrate environmental structure and form no part of the claimed design.

1 Claim, 6 Drawing Sheets



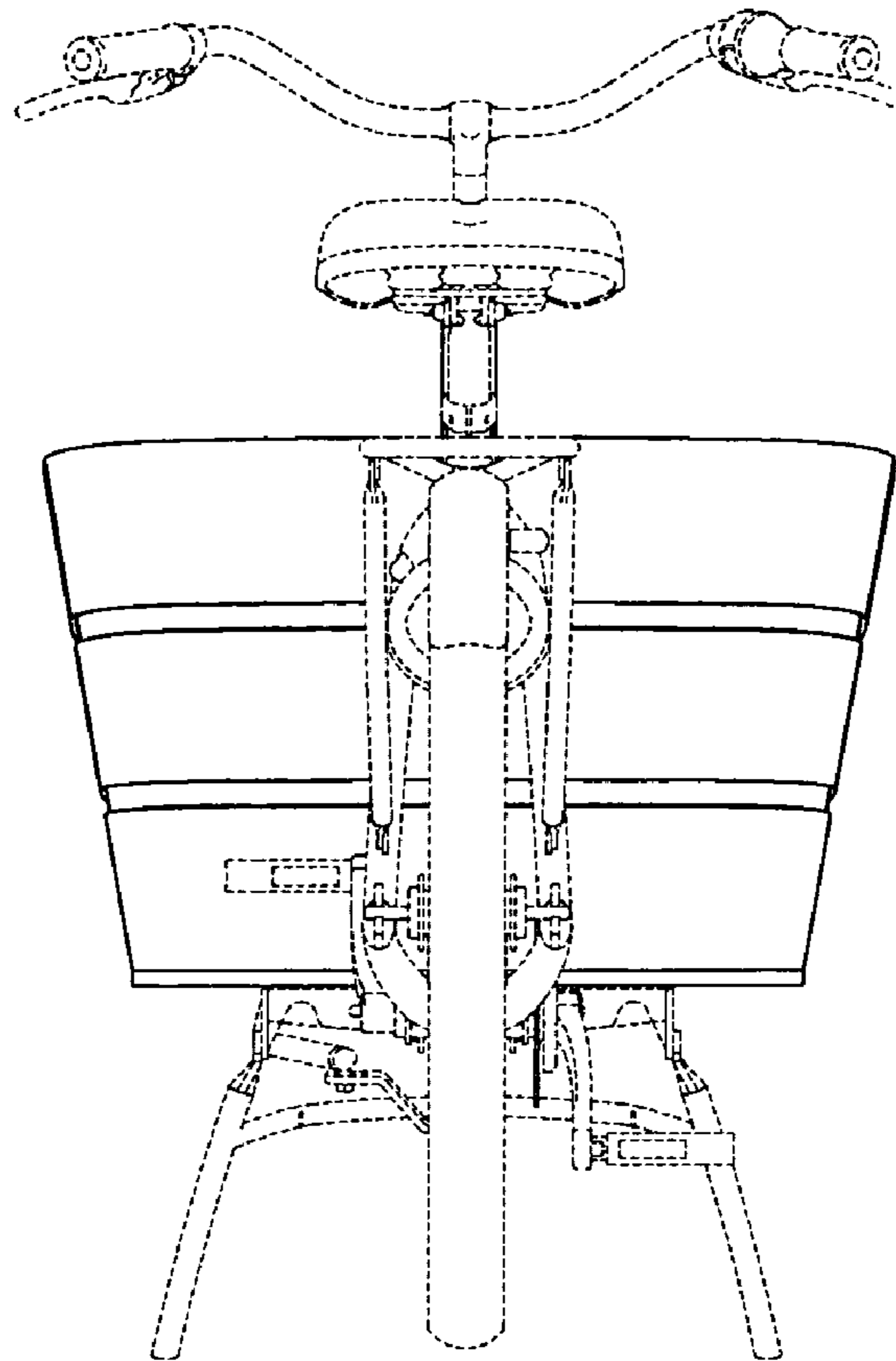


FIG. 1

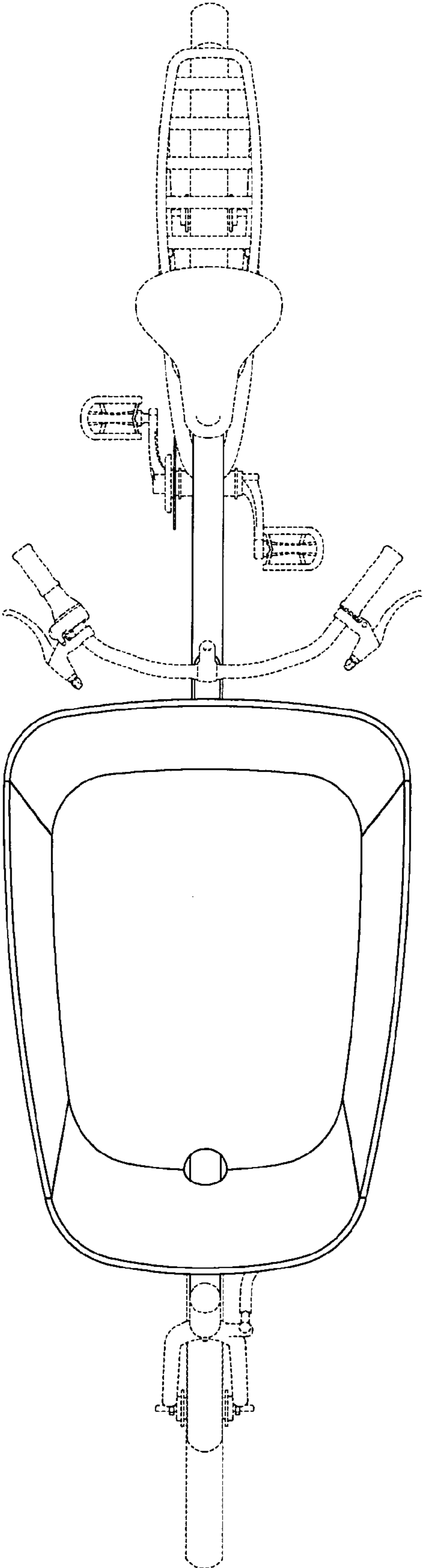


FIG. 2

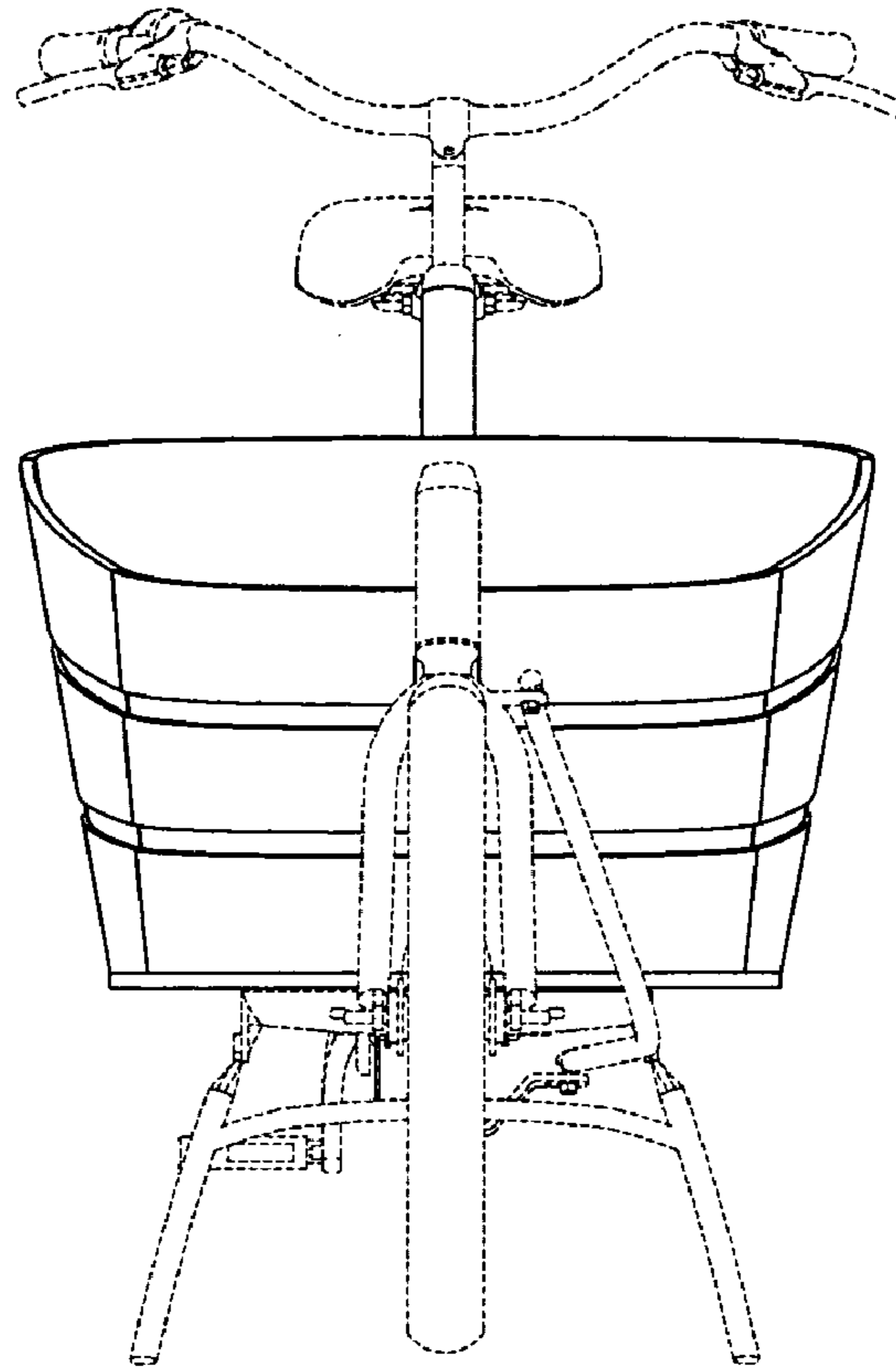


FIG. 3

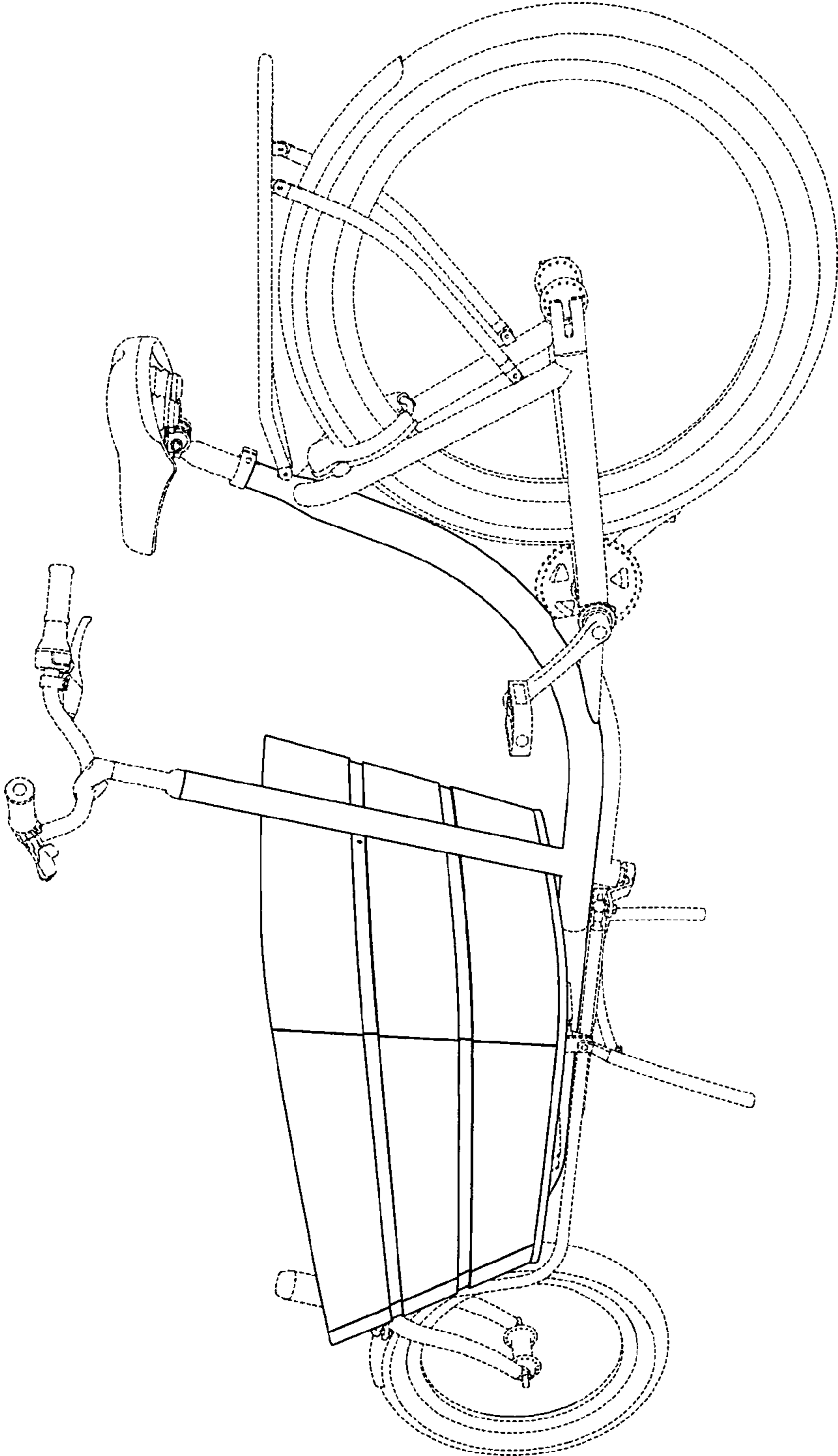


FIG. 4

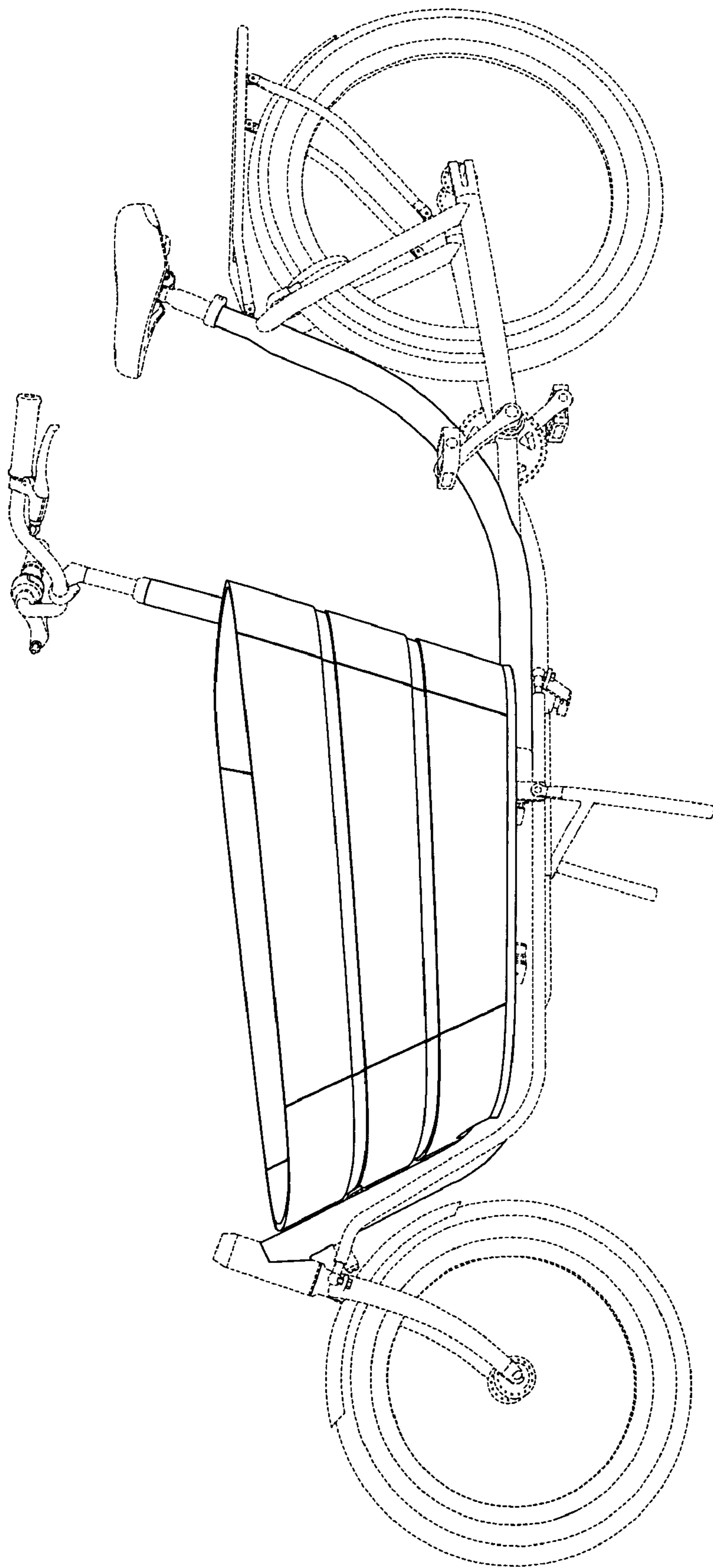


FIG. 5

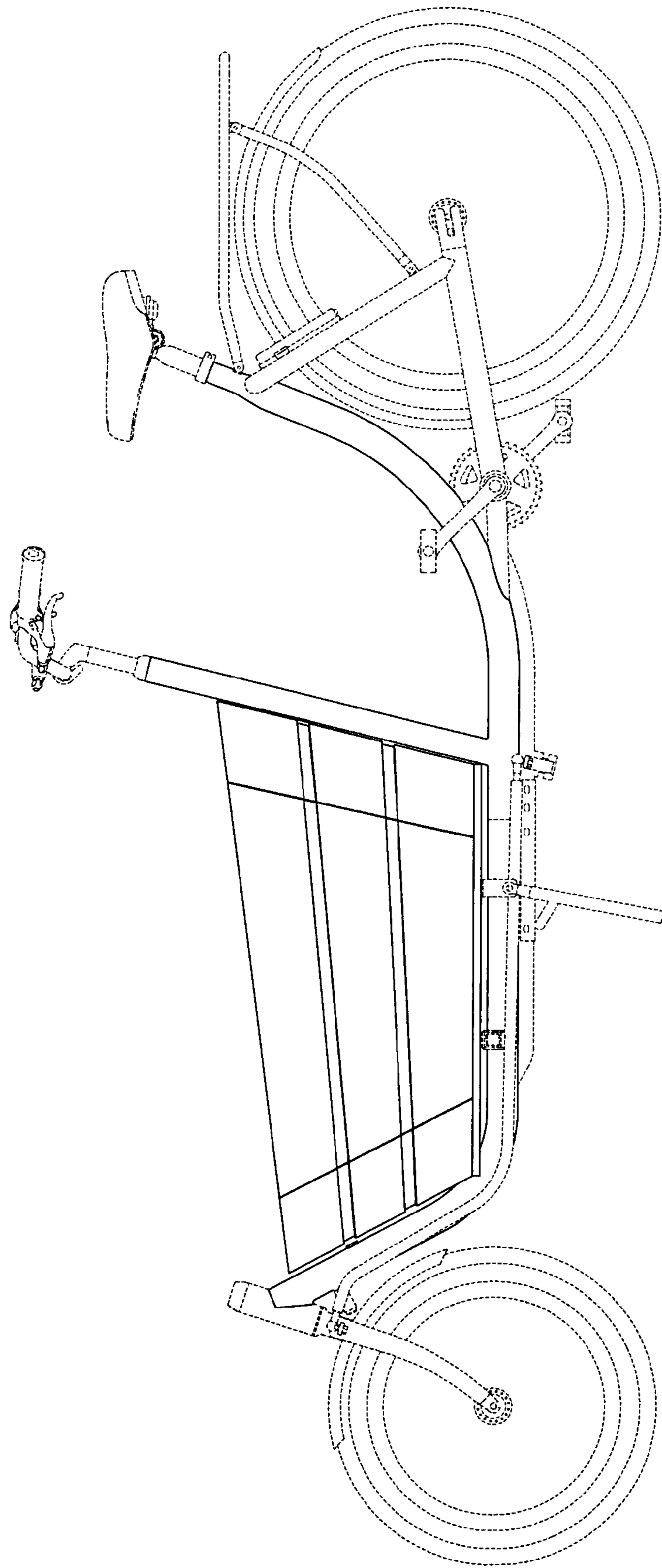


FIG. 6