



US00D642094S

(12) **United States Design Patent**  
**Karacabey et al.**

(10) **Patent No.:** **US D642,094 S**

(45) **Date of Patent:** **\*\* Jul. 26, 2011**

(54) **CAR**

(56) **References Cited**

(75) Inventors: **Gokay Karacabey**, Kocaeli (TR);  
**Ahmet Cagri Selcuklu**, Kocaeli (TR);  
**Emre Ozbilgin**, Kocaeli (TR)

U.S. PATENT DOCUMENTS

D591,202 S \* 4/2009 Ohhashi et al. .... D12/91  
D622,185 S \* 8/2010 Uchiyama et al. .... D12/91  
D623,988 S \* 9/2010 Liu et al. .... D12/91

\* cited by examiner

(73) Assignee: **Heksagon Muhendislik Ve Tasarim Anonim Sirketi**, Istanbul (TR)

*Primary Examiner* — Melody N Brown

(74) *Attorney, Agent, or Firm* — Intellectual Property Law Group LLP; Juneko Jackson

(\*\*) Term: **14 Years**

(57) **CLAIM**

The ornamental design for a car, as shown and described.

(21) Appl. No.: **29/379,878**

**DESCRIPTION**

(22) Filed: **Nov. 24, 2010**

FIG. 1 is a front, left side perspective view of a car embodying my new design;

FIG. 2 is a left side perspective view thereof;

FIG. 3 is a rear, left side perspective view thereof;

FIG. 4 is a side view thereof;

FIG. 5 is a right side view thereof.

FIG. 6 is a rear view thereof;

FIG. 7 is a front view thereof;

FIG. 8 is a top, front, right side perspective view thereof;

FIG. 9 is a top, rear, right side perspective view thereof; and

FIG. 10 is a front, right side perspective view thereof; and,

FIG. 11 is a right side perspective view thereof.

(30) **Foreign Application Priority Data**

May 25, 2010 (TR) ..... 2010/02974

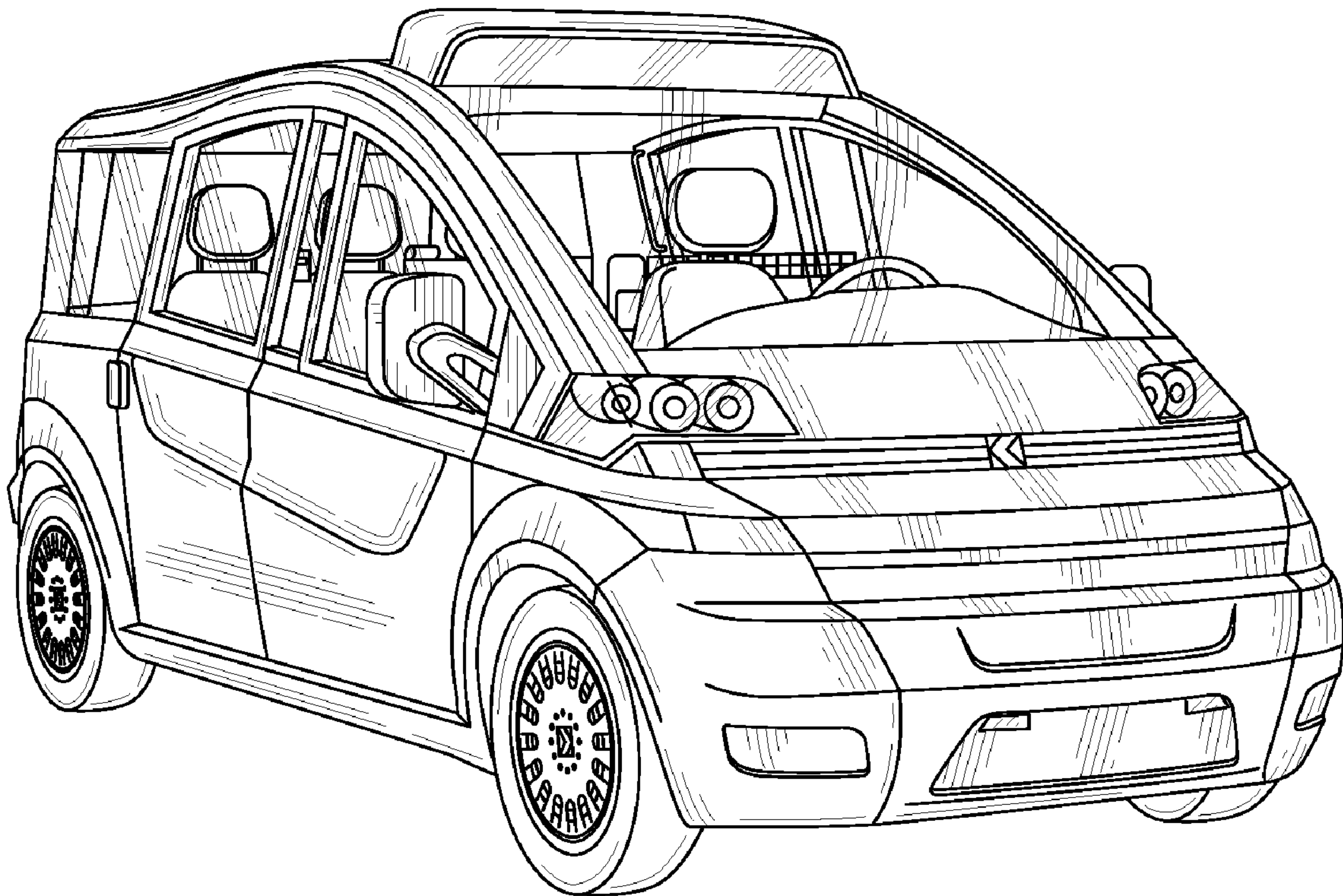
(51) **LOC (9) Cl.** ..... **12-08**

(52) **U.S. Cl.** ..... **D12/91**

(58) **Field of Classification Search** ..... D12/86,  
D12/90-92, 88; D21/424, 433, 434; 296/181.1,  
296/181.5

See application file for complete search history.

**1 Claim, 6 Drawing Sheets**



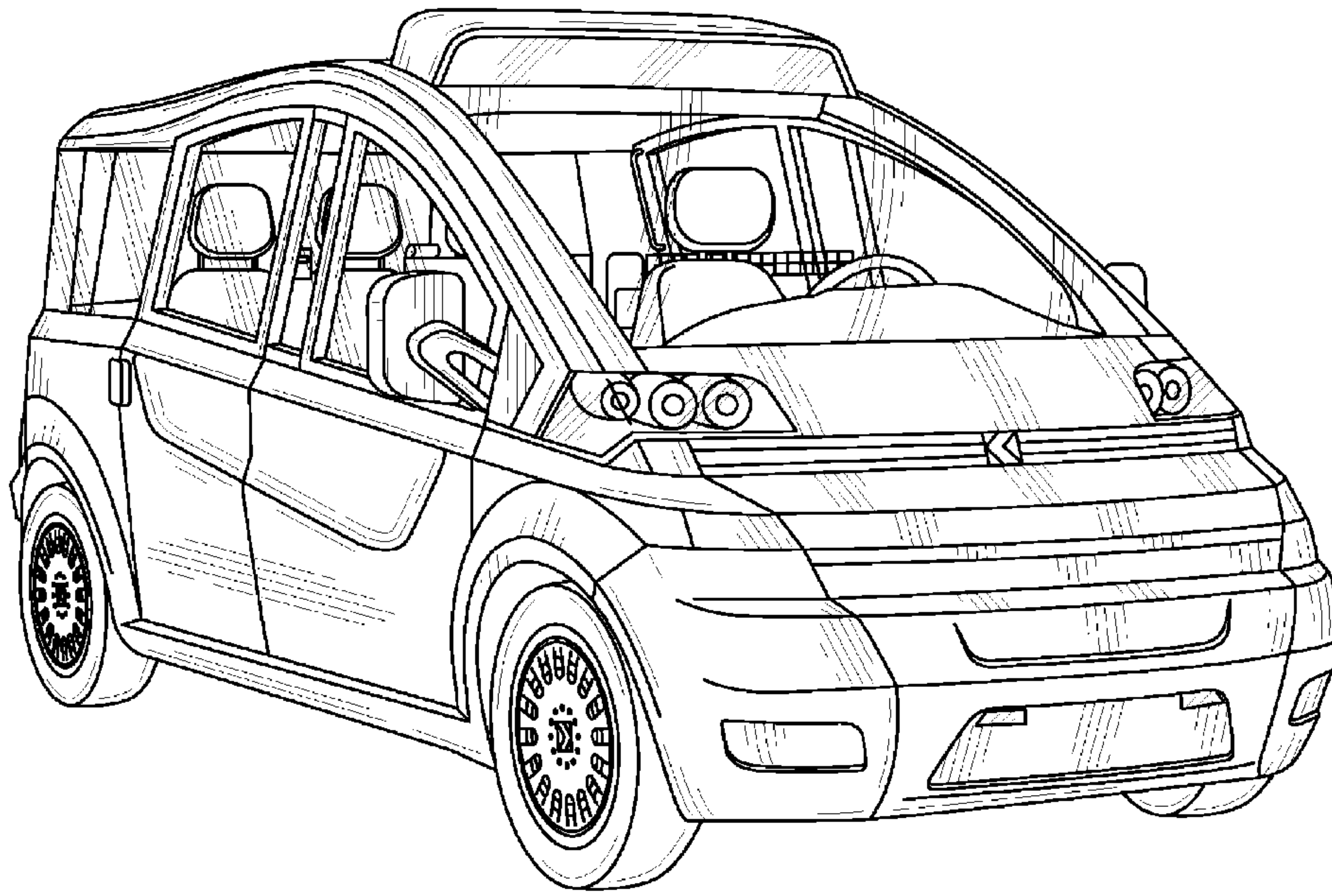


FIG. 1

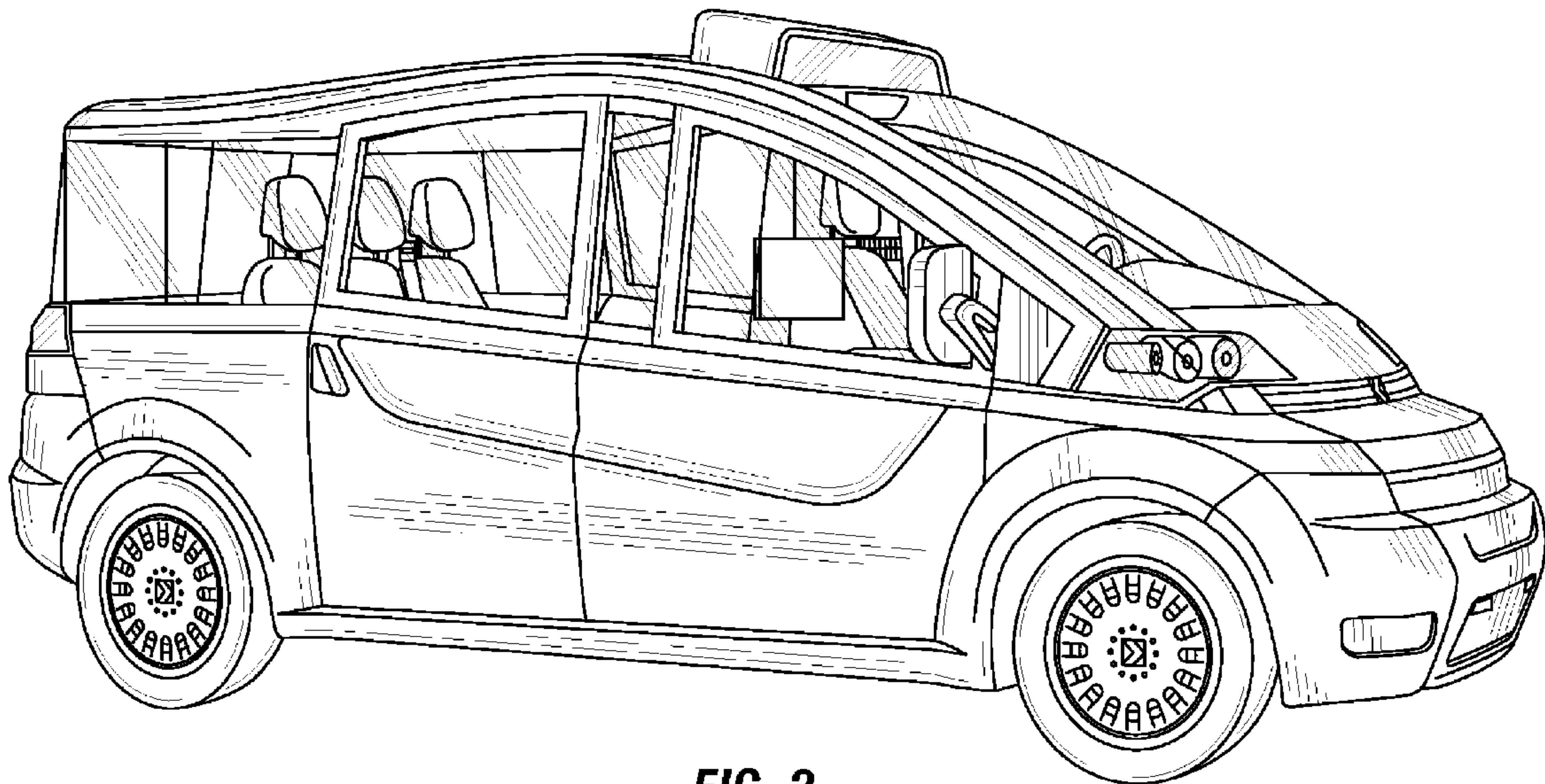
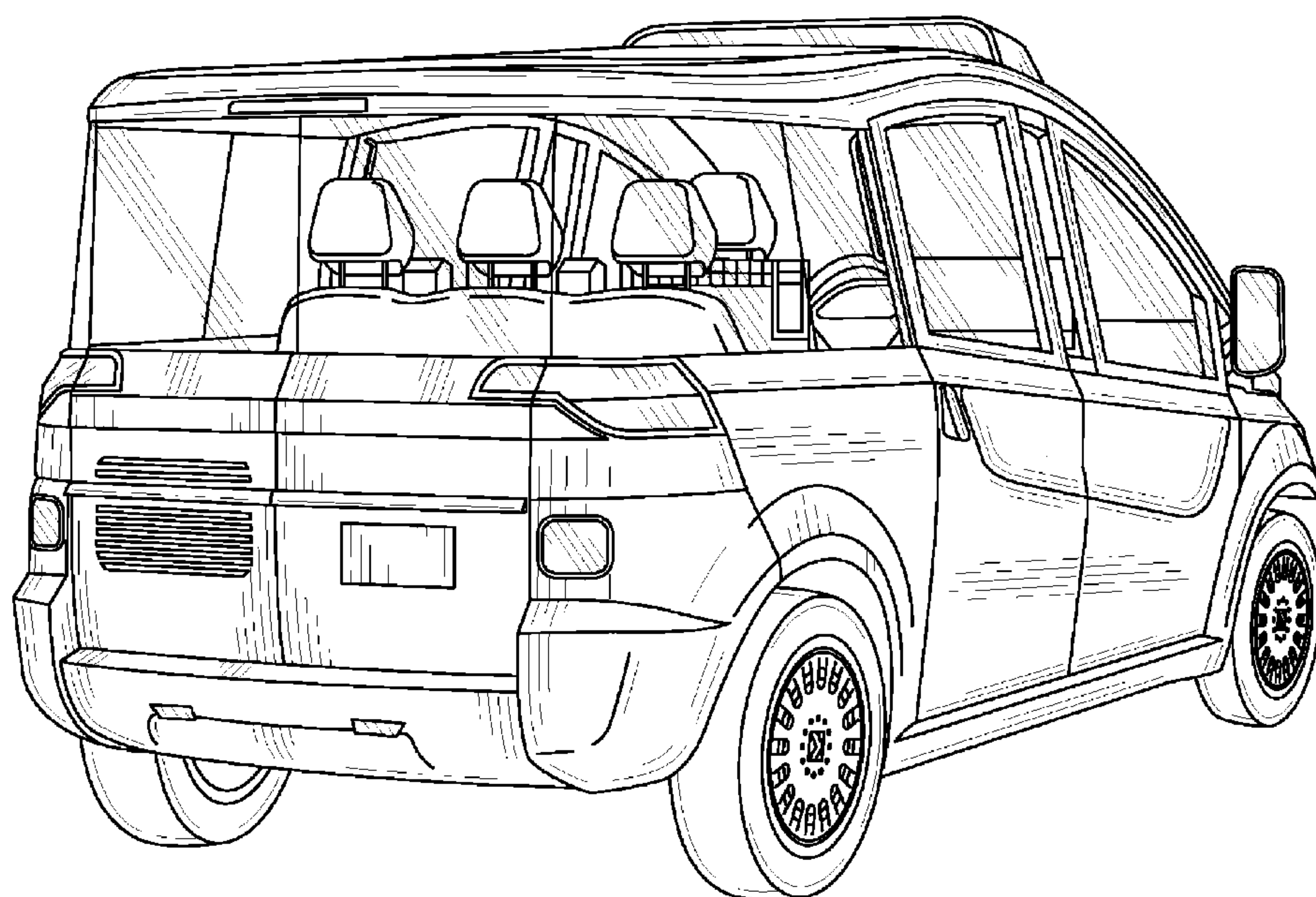
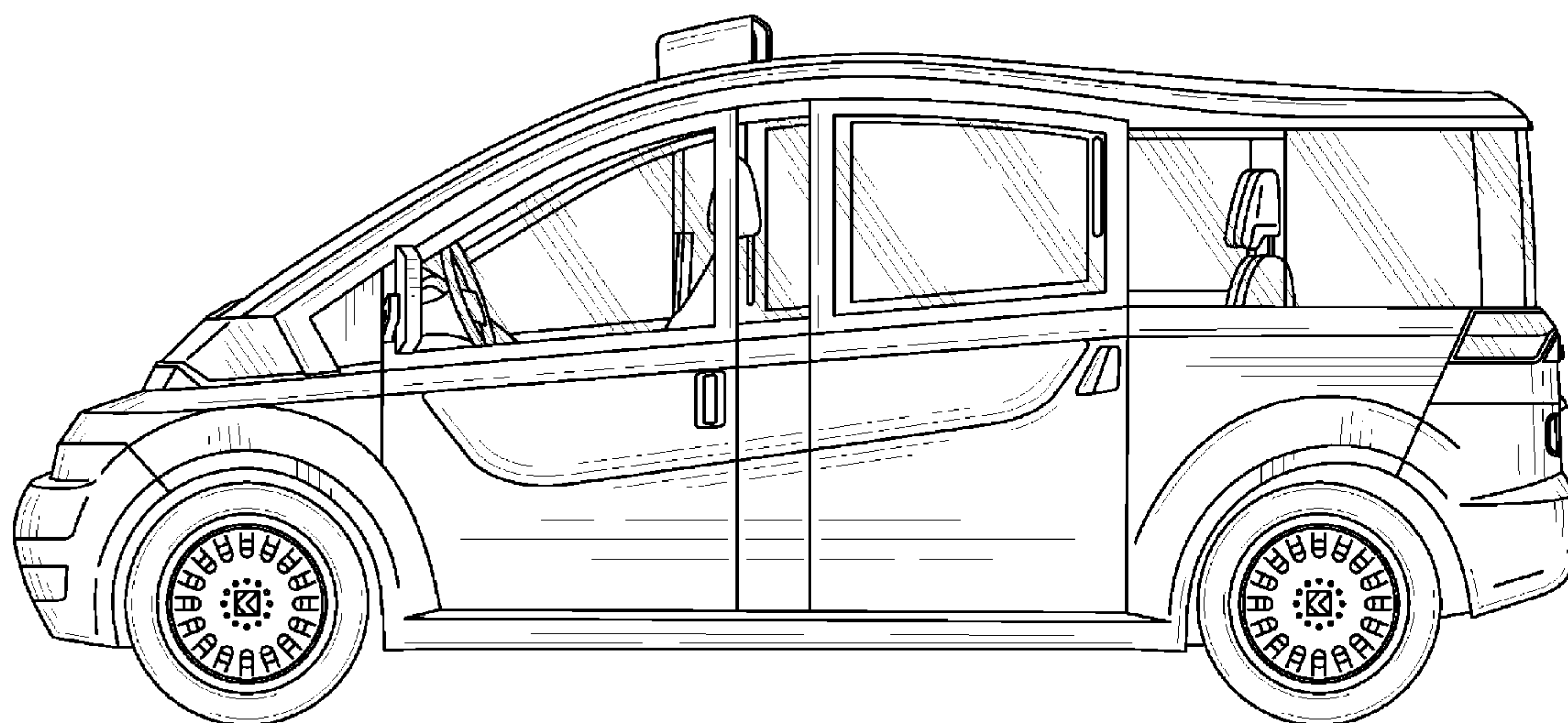


FIG. 2

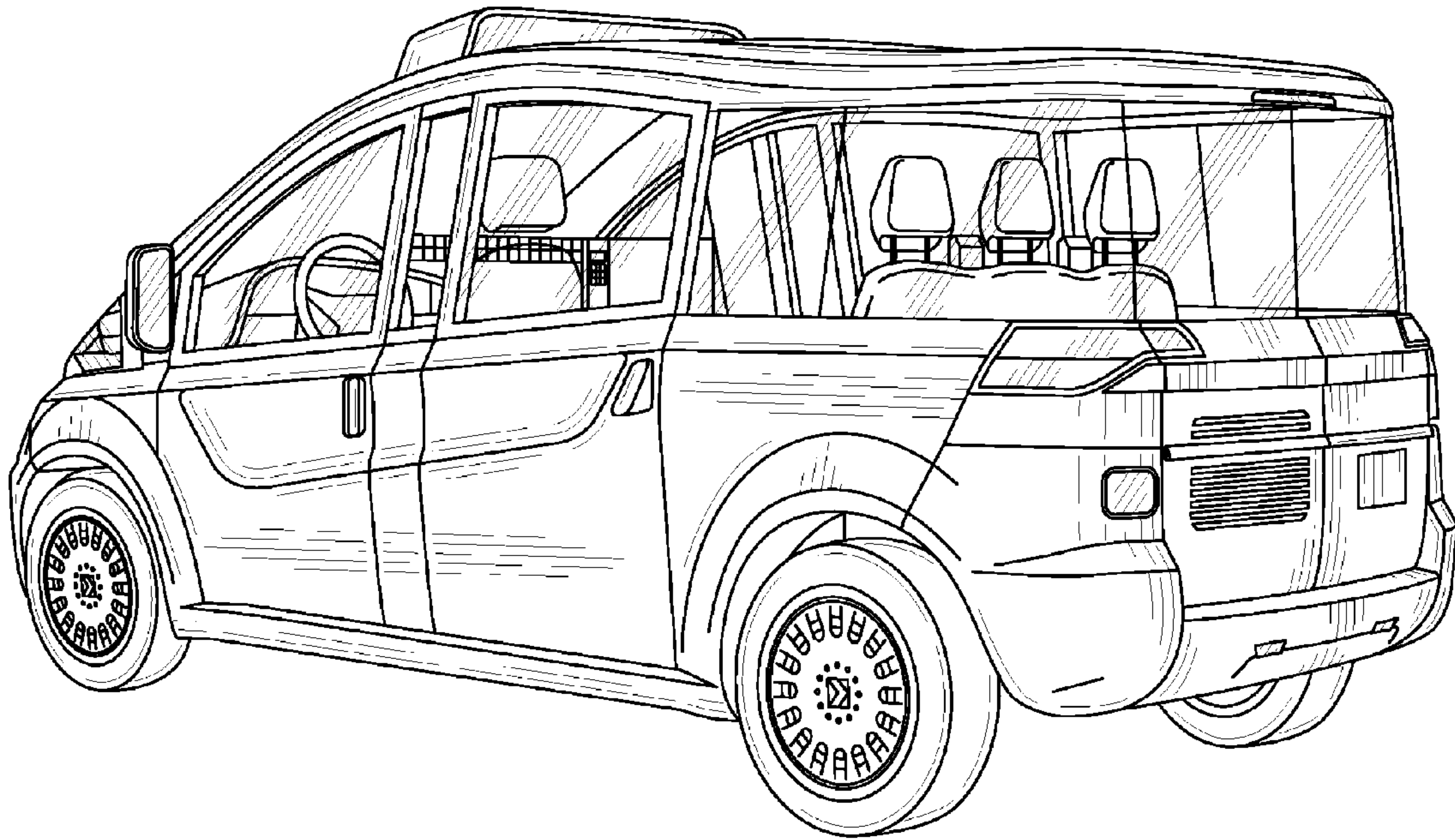




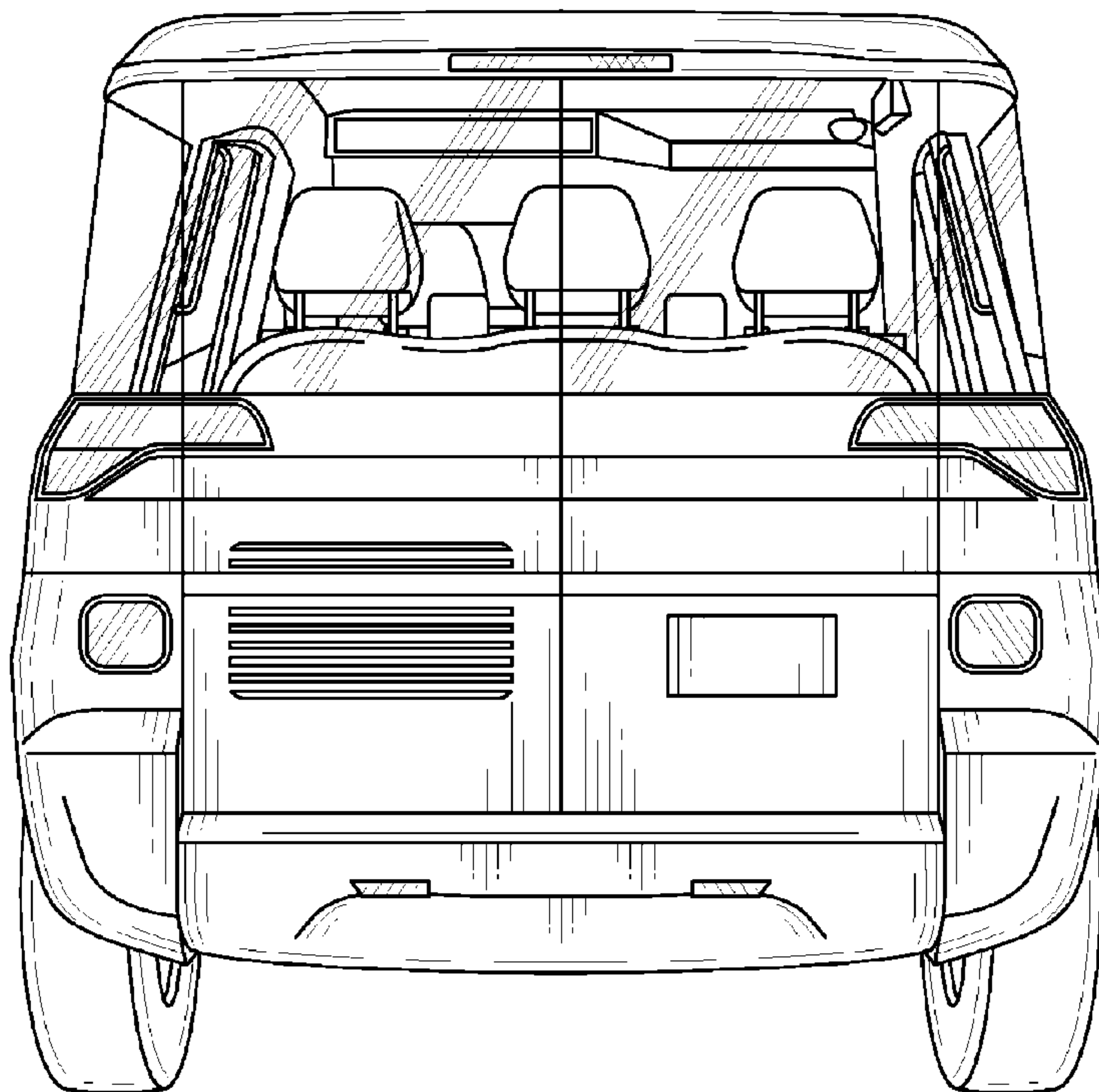
**FIG. 3**



**FIG. 4**



**FIG. 5**



**FIG. 6**

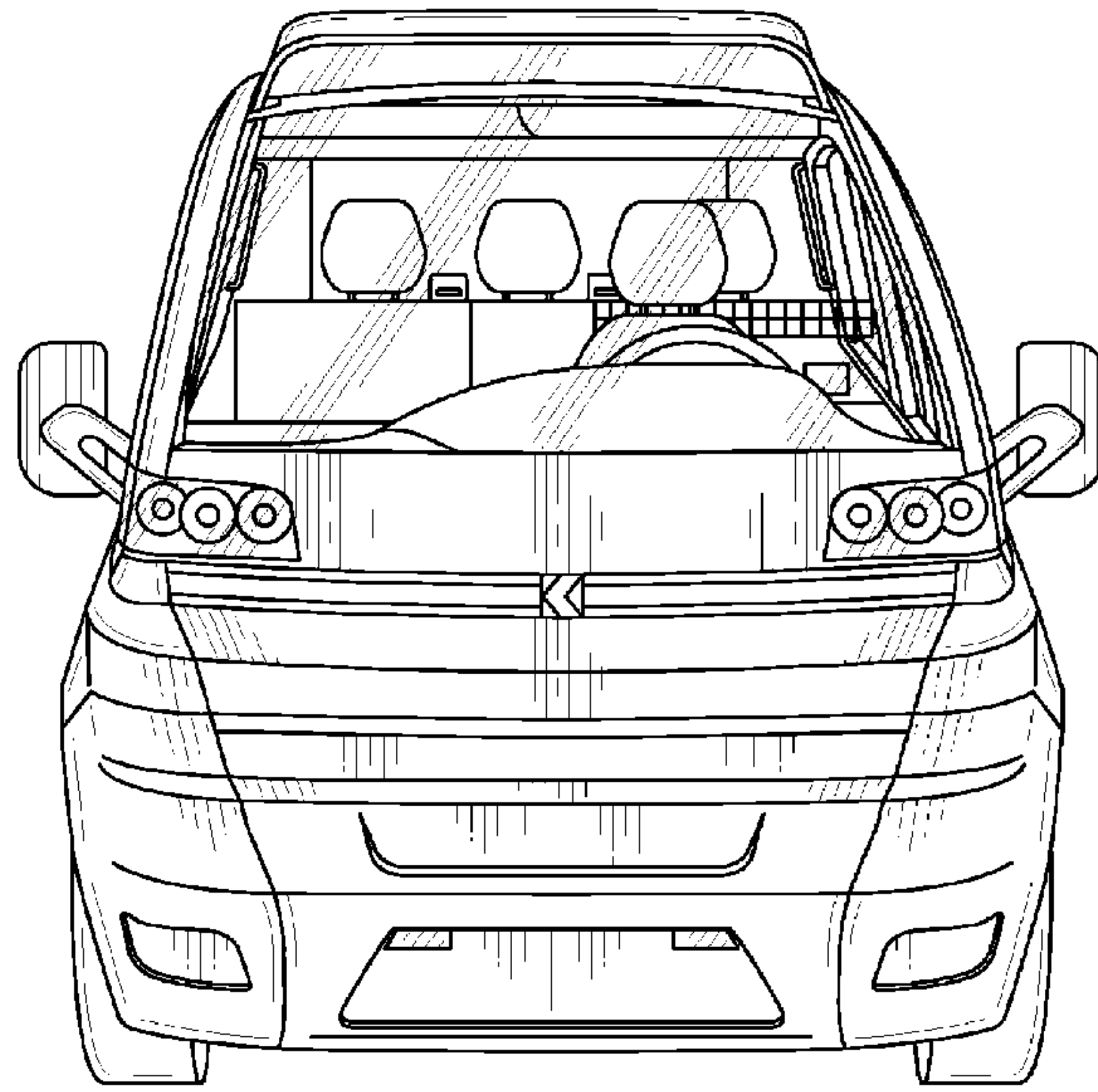


FIG. 7

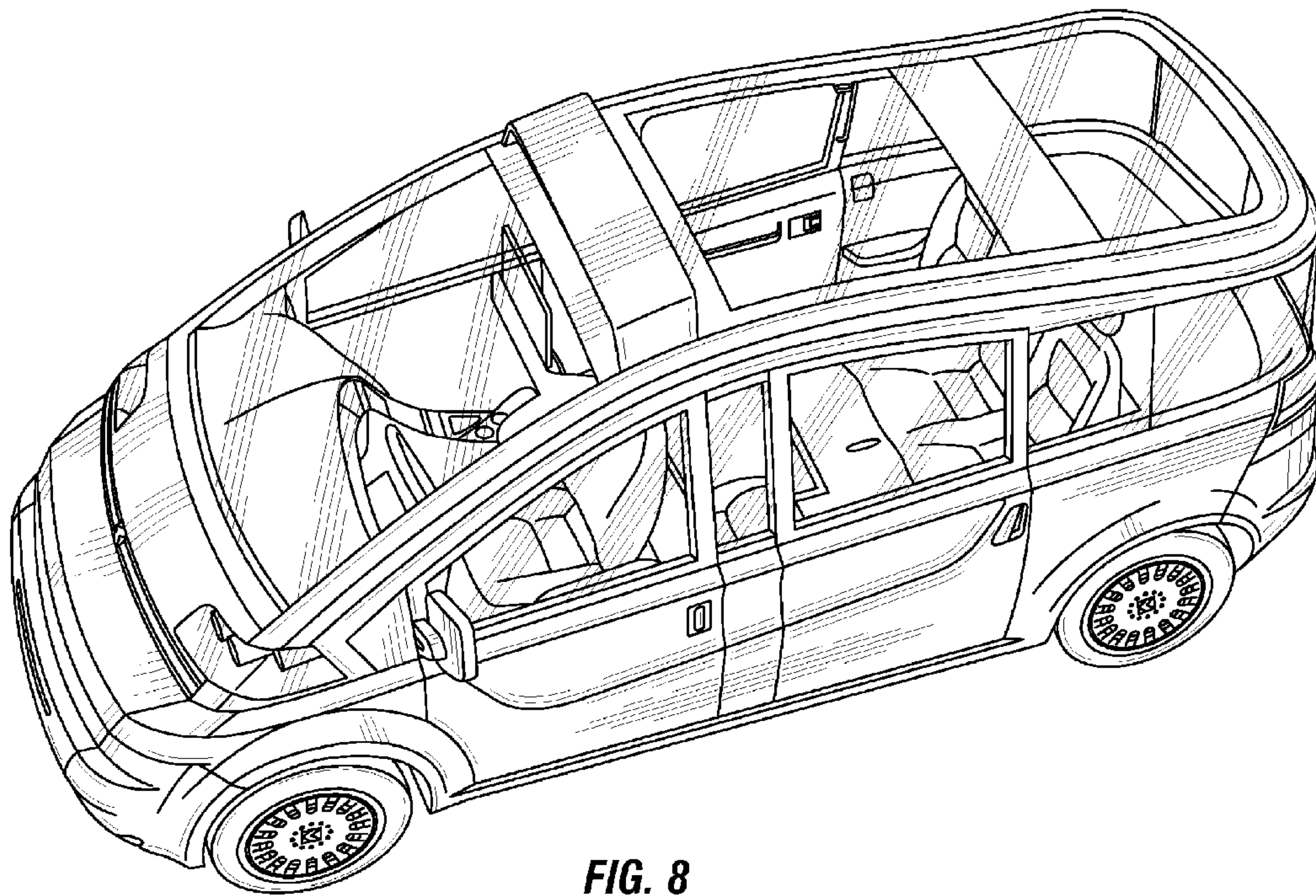
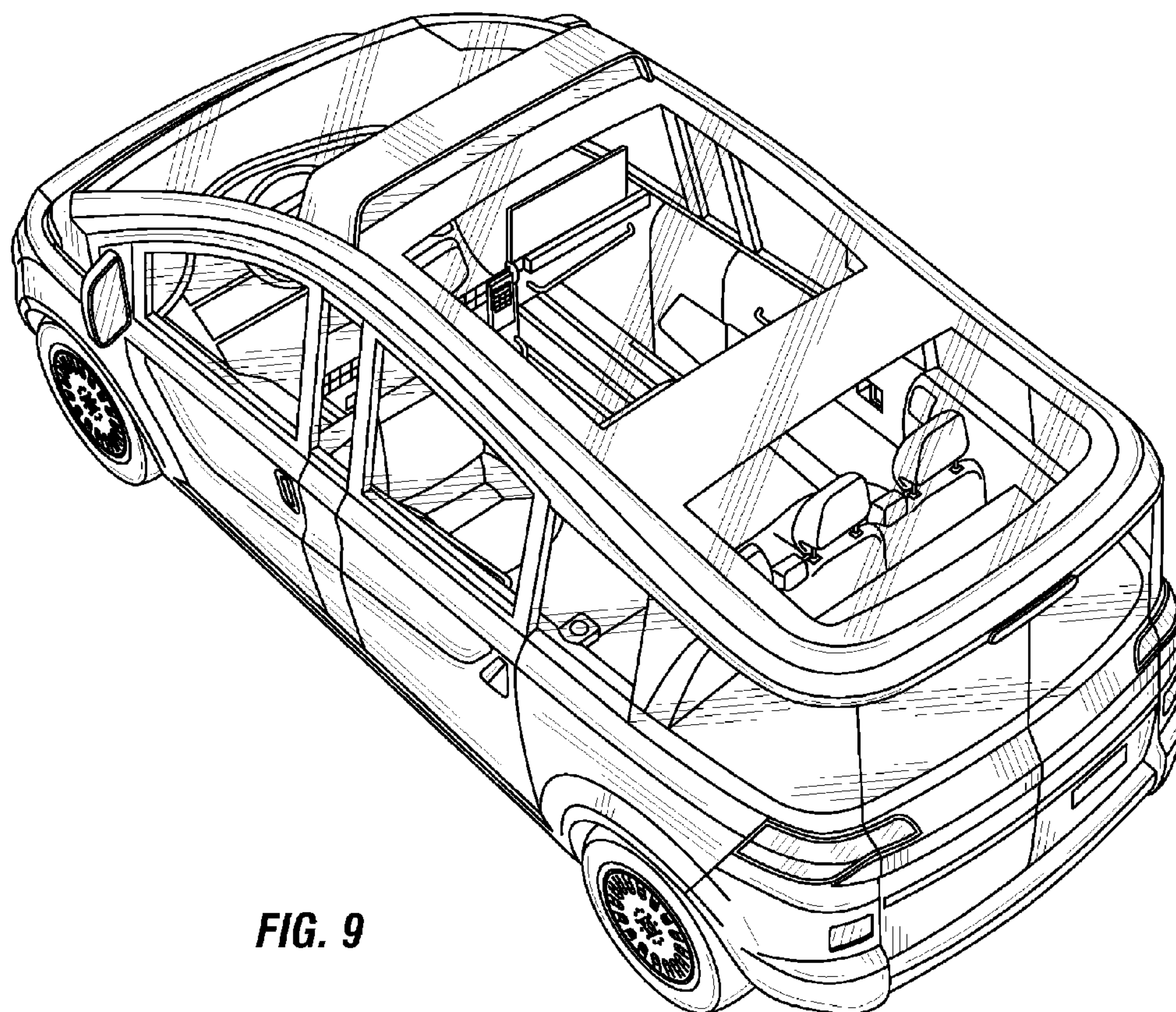
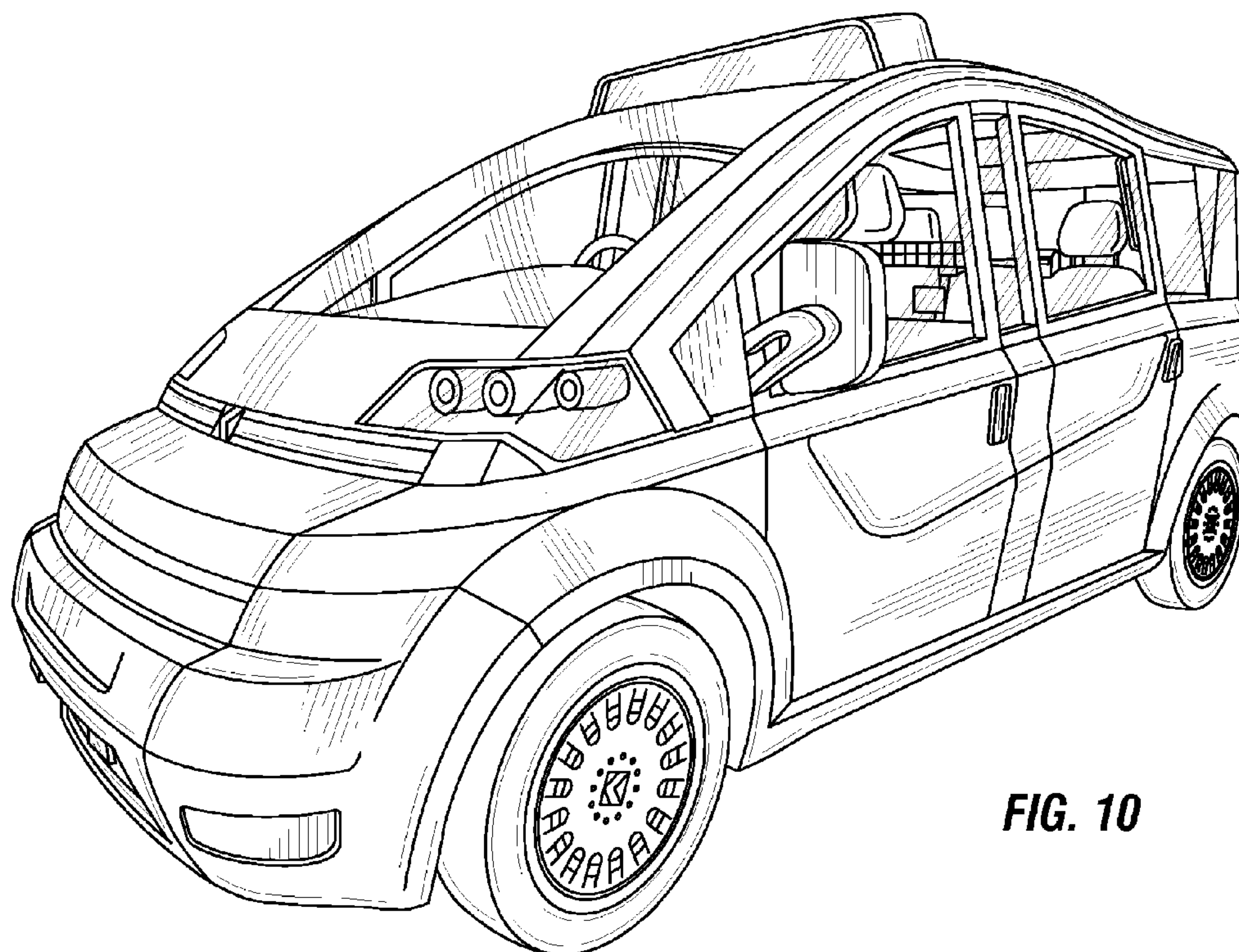


FIG. 8

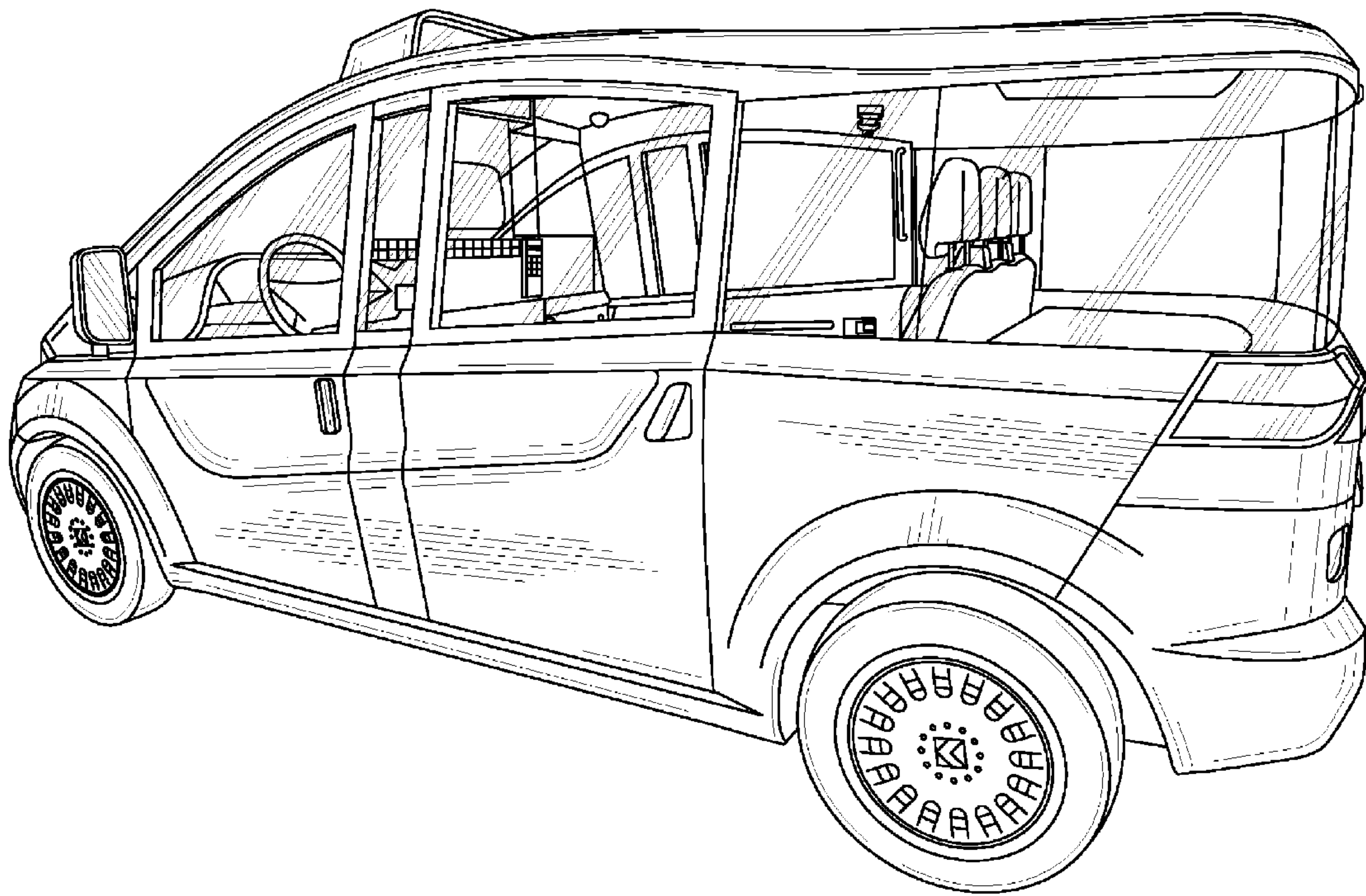




**FIG. 9**



**FIG. 10**



**FIG. 11**