



US00D642091S

(12) **United States Design Patent**  
**Karacabey et al.**

(10) **Patent No.:** **US D642,091 S**

(45) **Date of Patent:** **\*\* Jul. 26, 2011**

(54) **CAR FRAME**

(75) Inventors: **Gokay Karacabey**, Kocaeli (TR);  
**Ahmet Cagri Selcuklu**, Kocaeli (TR);  
**Emre Ozbilgin**, Kocaeli (TR)

(73) Assignee: **Heksagon Muhendislik Ve Tasarim**  
**Anonim Sirketi**, Istanbul (TR)

(\*\*) Term: **14 Years**

(21) Appl. No.: **29/380,224**

(22) Filed: **Dec. 1, 2010**

(30) **Foreign Application Priority Data**

Jul. 27, 2010 (TR) ..... 2010 04125

(51) **LOC (9) Cl.** ..... **12-08**

(52) **U.S. Cl.** ..... **D12/82; D12/86**

(58) **Field of Classification Search** ..... D12/82,  
D12/86, 90-92; D21/424, 433, 434; 296/181.1,  
296/181.5; 280/781-787, 797; 180/311,  
180/312; 29/429, 897.2

See application file for complete search history.

(56) **References Cited**

U.S. PATENT DOCUMENTS

D523,775	S	*	6/2006	Walden	.....	D12/86
D523,776	S	*	6/2006	Walden	.....	D12/86
7,140,667	B2	*	11/2006	Steinhauser et al.	.....	296/181.2
D552,509	S	*	10/2007	Walkup et al.	.....	D12/16
D633,009	S	*	2/2011	Matei et al.	.....	D12/91
D633,823	S	*	3/2011	Matei et al.	.....	D12/91

\* cited by examiner

*Primary Examiner* — Melody N Brown

(74) *Attorney, Agent, or Firm* — Intellectual Property Law Group LLP; Juneko Jackson

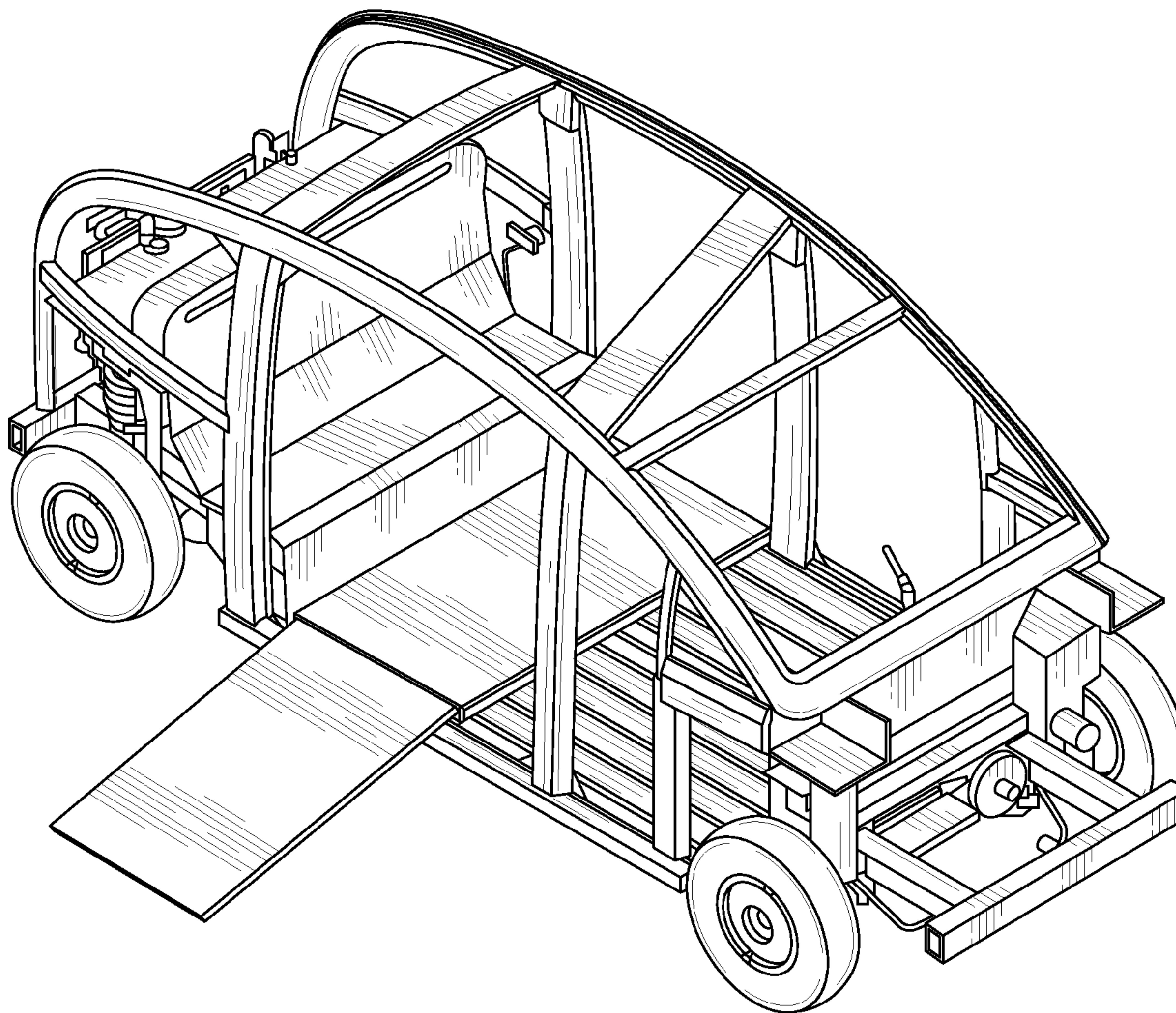
(57) **CLAIM**

The ornamental design for a car frame, as shown and described.

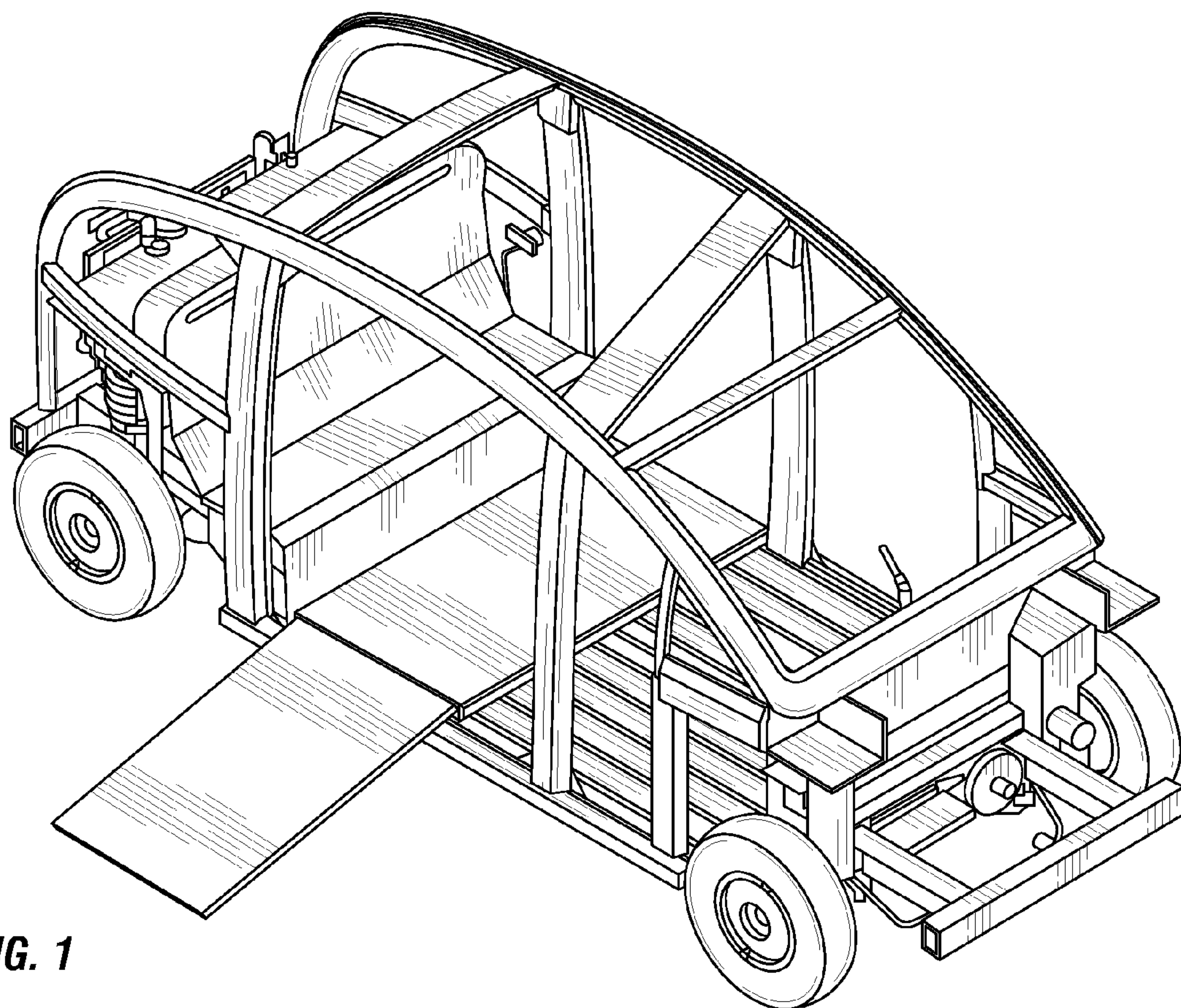
**DESCRIPTION**

FIG. 1 is a top, front, left side perspective view of a car frame embodying my new design; and, FIG. 2 is a top, rear, right side perspective view thereof.

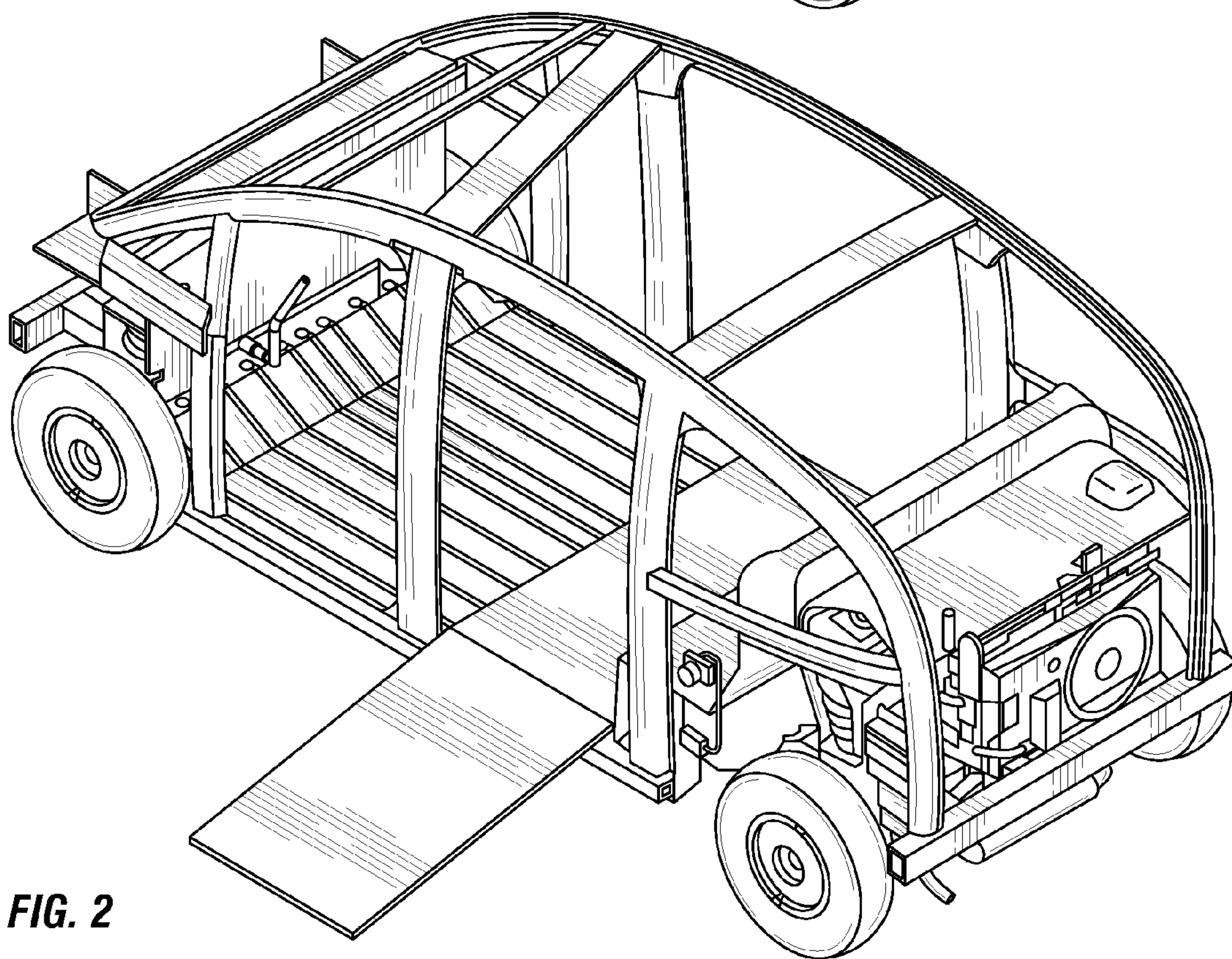
**1 Claim, 1 Drawing Sheet**







**FIG. 1**



**FIG. 2**