



US00D642089S

(12) **United States Design Patent**
Chan

(10) **Patent No.:** **US D642,089 S**

(45) **Date of Patent:** **** Jul. 26, 2011**

(54) **PORTION OF A SNAP BUTTON**

(75) **Inventor:** **Yick Fai Chan, Tsing Yi (HK)**

(73) **Assignee:** **Duraflex Hong Kong Limited, Tsuen Wan (HK)**

(**) **Term:** **14 Years**

(21) **Appl. No.:** **29/372,675**

(22) **Filed:** **Dec. 23, 2010**

(51) **LOC (9) Cl.** **02-07**

(52) **U.S. Cl.** **D11/220**

(58) **Field of Classification Search** D11/200,
D11/218, 220; D8/382; 24/1, 108, 113 R,
24/113 MP, 114.9, 303, 358, 459, 618, 621-623,
24/662-681, 682.1, 693-695, 697.1, 704.1,
24/90.5; 16/2.1; 29/6.1; 383/86

See application file for complete search history.

(56) **References Cited**

U.S. PATENT DOCUMENTS

1,358,098	A	11/1920	Normand	
2,131,347	A *	9/1938	Fenton	24/681
2,212,361	A *	8/1940	Arthur	29/6.1
2,519,316	A *	8/1950	Jones	24/1
2,546,716	A *	3/1951	Bedford, Jr.	24/681
2,668,340	A *	2/1954	Jones	24/692
2,799,910	A *	7/1957	Weber	24/681
2,941,270	A *	6/1960	Long	24/704.1
2,981,992	A *	5/1961	Jawoll	24/358
3,083,430	A *	4/1963	Shears	24/662
3,152,376	A *	10/1964	Boser et al.	24/618
3,290,744	A *	12/1966	Silver	24/90.5
3,328,854	A *	7/1967	Tombari	24/713.7
3,551,963	A *	1/1971	Pantalena	24/618
3,783,477	A *	1/1974	Hamilton et al.	24/622
3,916,756	A *	11/1975	Yoda	24/682.1

3,965,952	A *	6/1976	Rivman et al.	24/619
4,475,273	A *	10/1984	Konno	24/108
4,562,624	A *	1/1986	Kanzaka	24/621
4,698,881	A	10/1987	Watanabe	
4,751,773	A *	6/1988	Nysten	24/681
4,805,272	A *	2/1989	Yamaguchi	24/623
4,805,273	A *	2/1989	Burke et al.	24/662
D301,566	S *	6/1989	Heiberger	D11/220
D301,567	S *	6/1989	Burke	D11/220
4,847,959	A *	7/1989	Shimada et al.	24/671
5,101,541	A	4/1992	Watanabe	
5,212,851	A	5/1993	Wantanabe	
D350,501	S *	9/1994	Schriever	D11/220
5,375,302	A	12/1994	Takamura	
D367,438	S *	2/1996	Schriever	D11/220
5,642,558	A	7/1997	Bodkin, Sr.	
5,933,929	A	8/1999	Kawakami et al.	
5,940,940	A	8/1999	Tanikoshi et al.	
D415,717	S	10/1999	Akashi	
D473,820	S	4/2003	Ming	

FOREIGN PATENT DOCUMENTS

CN 2354410(Y) 12/1999

* cited by examiner

Primary Examiner — T. Chase Nelson

Assistant Examiner — Mark Cavanna

(74) *Attorney, Agent, or Firm* — Collard & Roe, P.C.

(57) **CLAIM**

The ornamental design for a portion of a snap button, as shown and described.

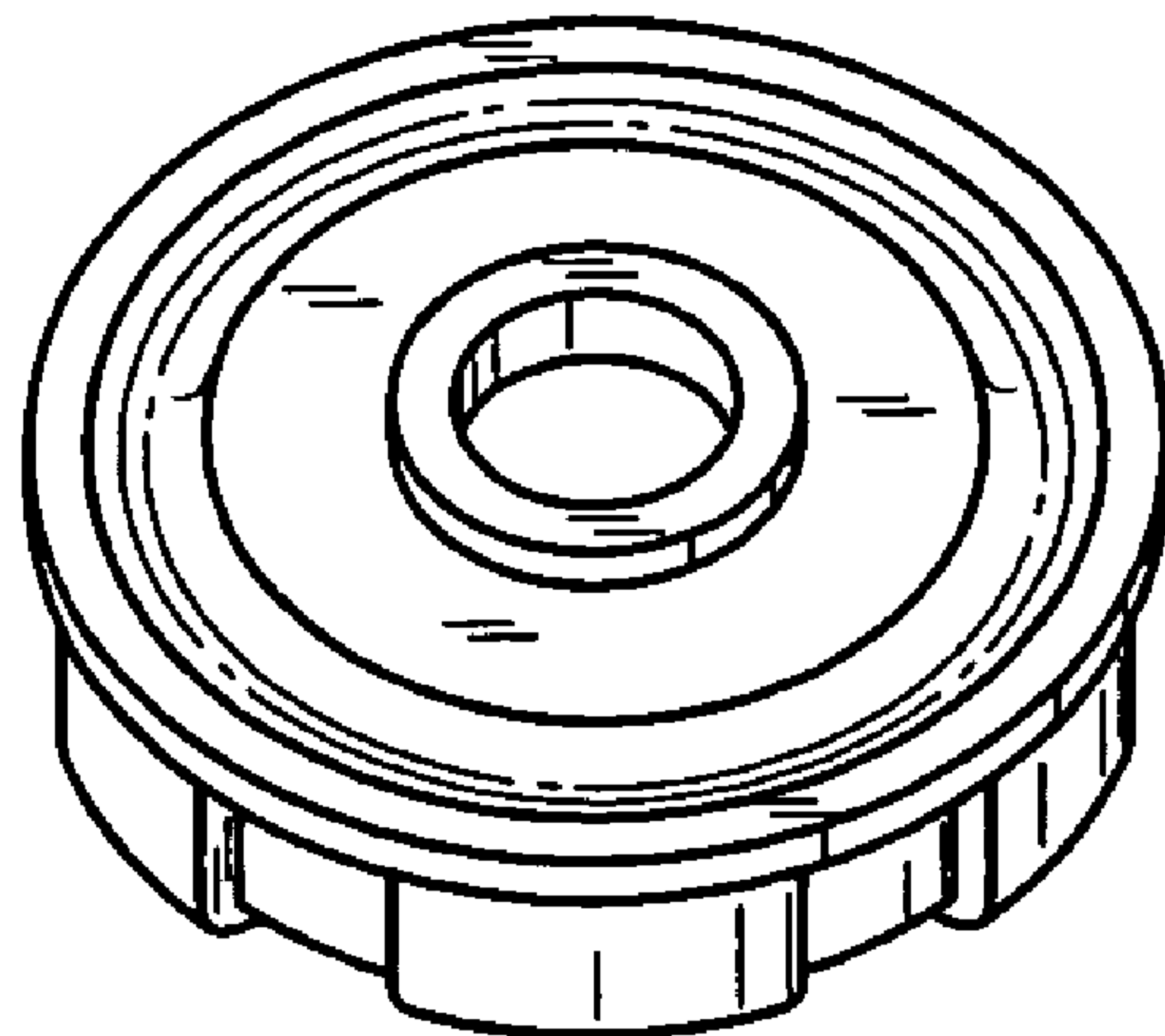
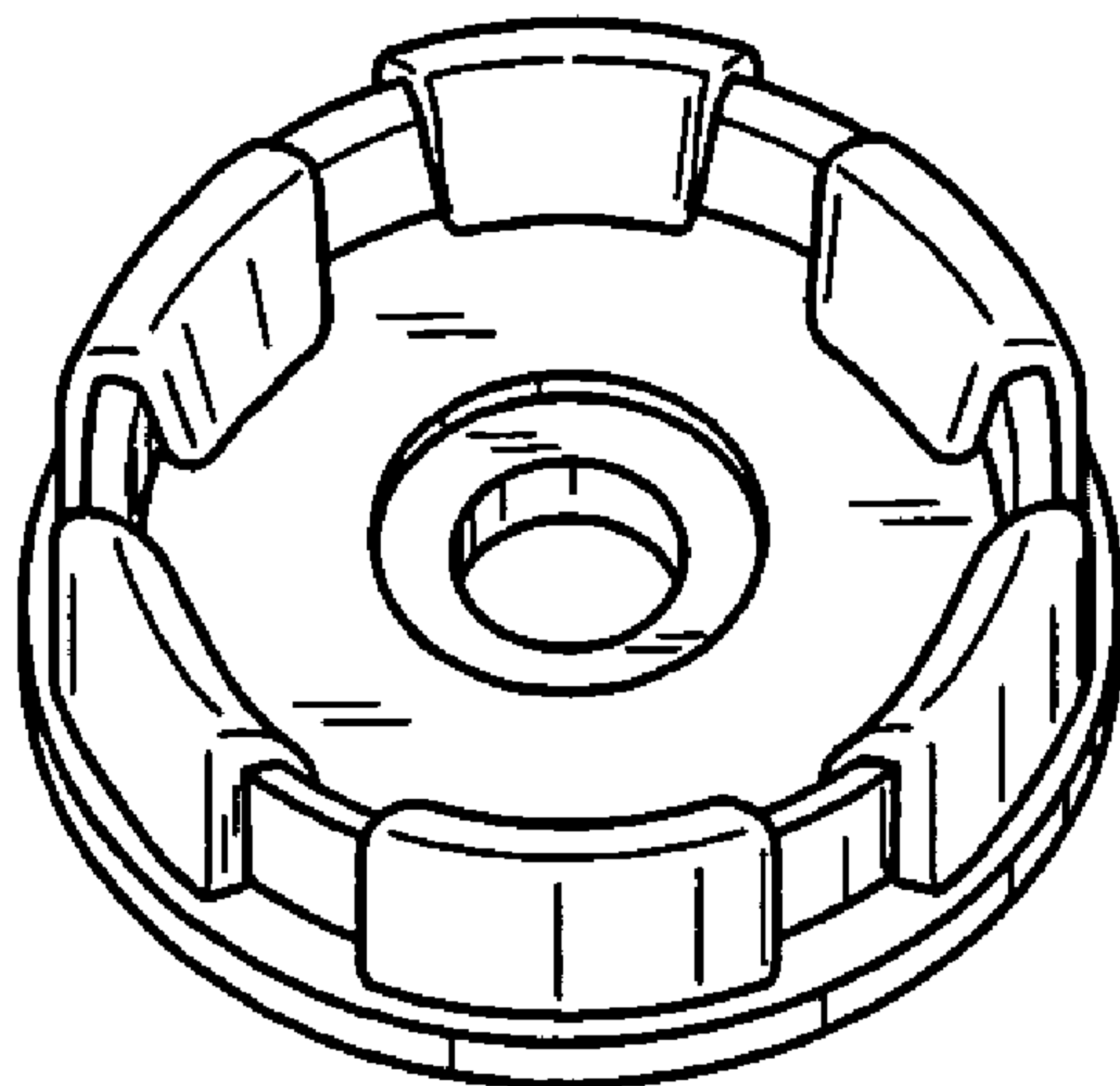
DESCRIPTION

FIG. 1 is a top and side perspective view of a portion of a snap button showing my new design;

FIG. 2 is a side view thereof, with the opposite side view being identical; and,

FIG. 3 is a bottom view thereof.

1 Claim, 1 Drawing Sheet



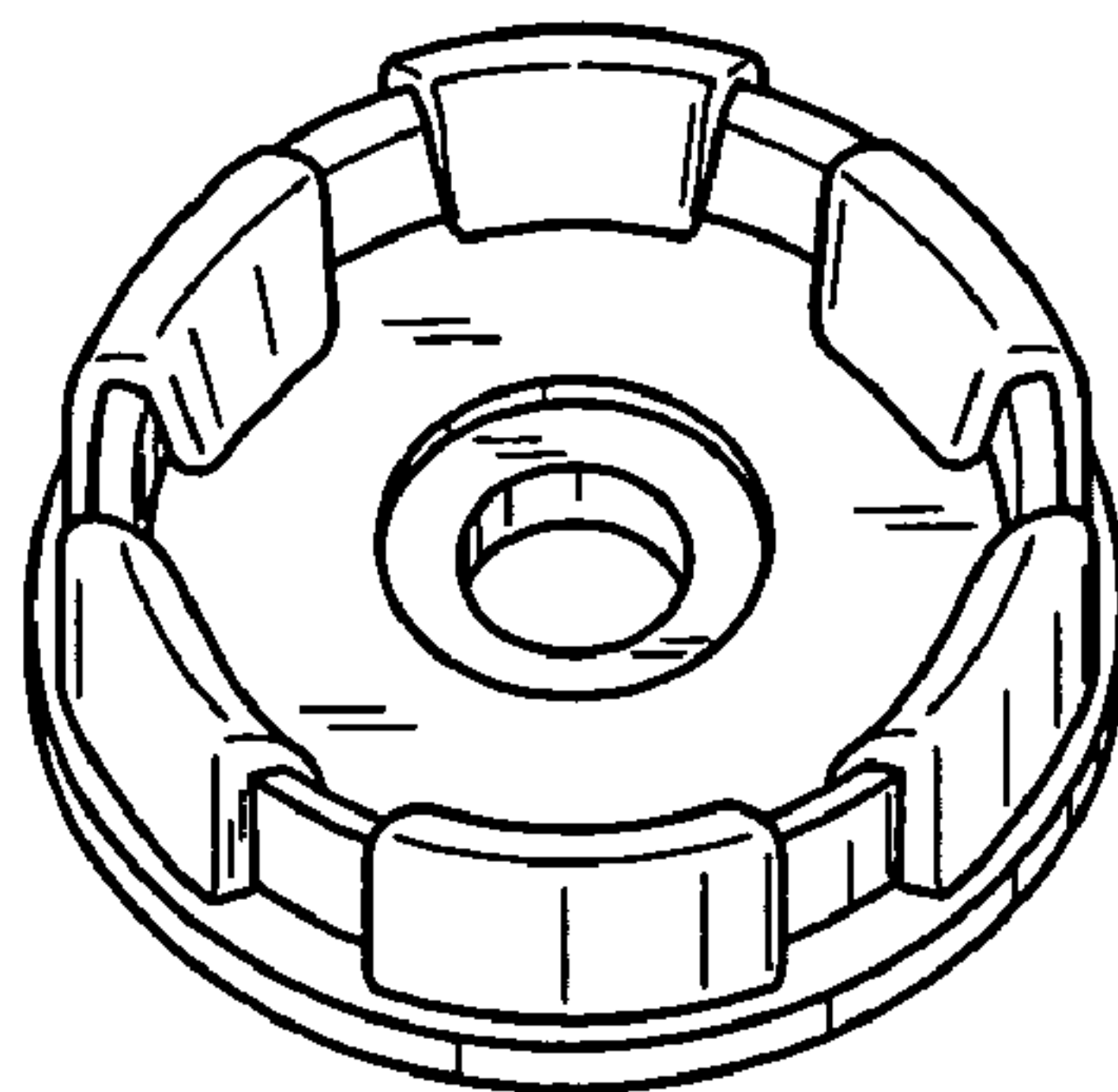


FIG. 1

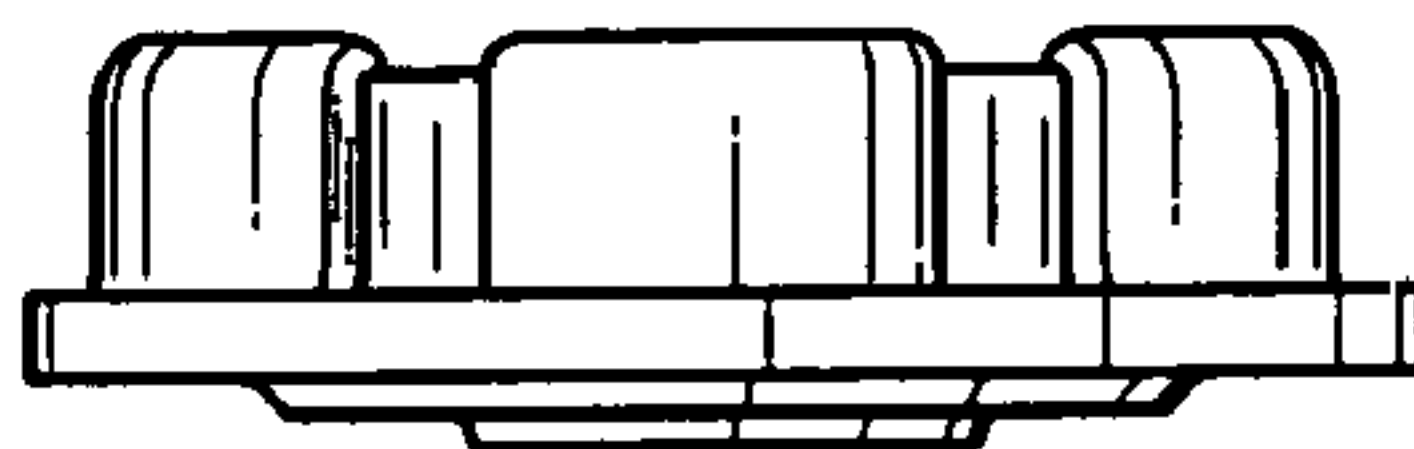


FIG. 2

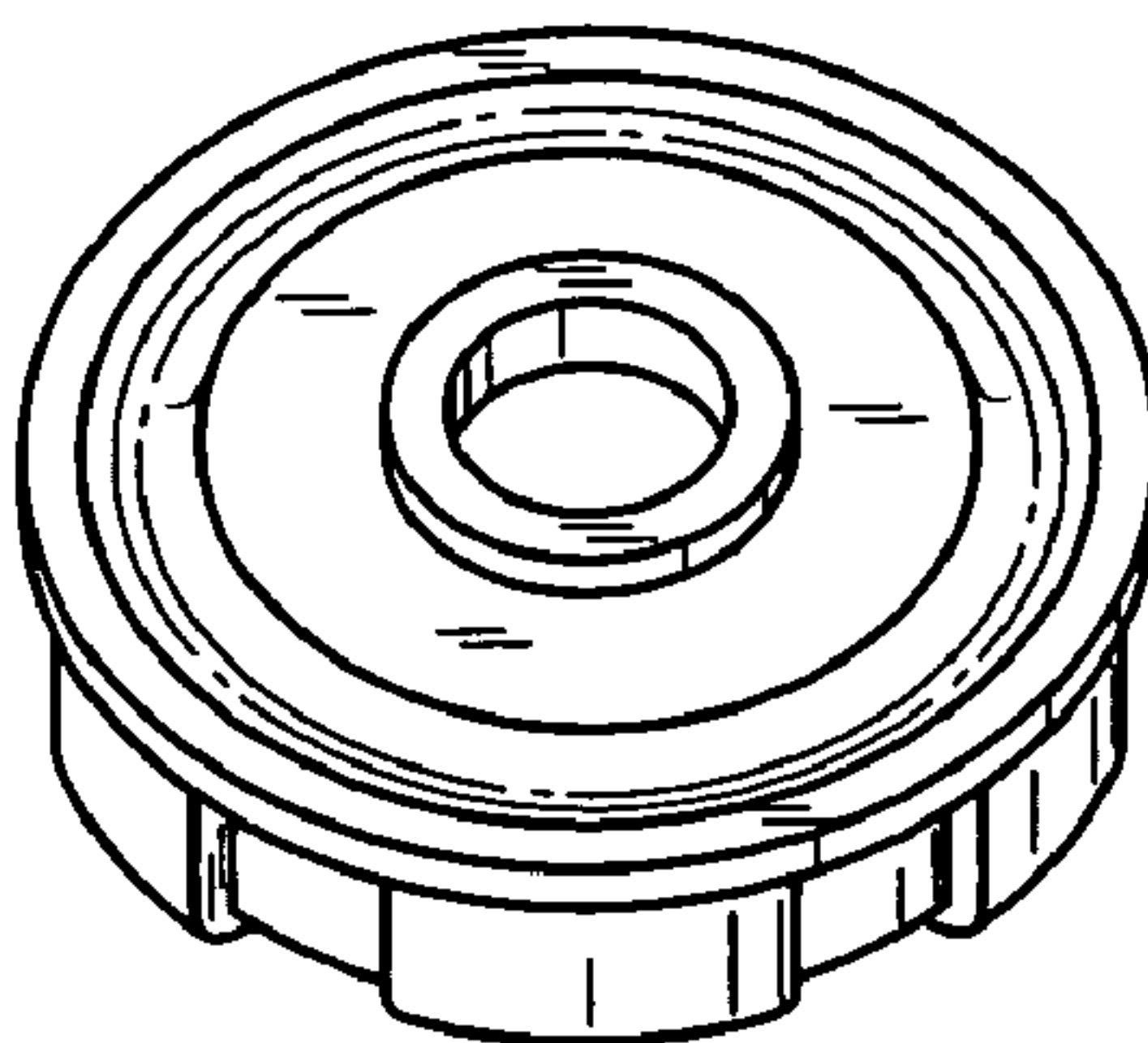


FIG. 3