



US00D642088S

(12) **United States Design Patent**  
**Kothari**

(10) **Patent No.:** **US D642,088 S**  
(45) **Date of Patent:** **\*\* Jul. 26, 2011**

(54) **GEMSTONE JEWELRY**

(75) Inventor: **Rajiv Kothari**, New York, NY (US)

(73) Assignee: **Prestige Jewelry International, Inc.**,  
New York, NY (US)

(\*\*) Term: **14 Years**

(21) Appl. No.: **29/373,141**

(22) Filed: **Mar. 7, 2011**

(51) **LOC (9) Cl.** ..... **11-02**

(52) **U.S. Cl.** ..... **D11/91; D11/40**

(58) **Field of Classification Search** ..... D11/1,  
D11/2, 86-91, 34-43, 79, 80, 222, 47, 75;  
63/12, 13, 14, 18, 26-28, 29.1, 29.2, 31,  
63/32, 1.11

See application file for complete search history.

(56) **References Cited**

**U.S. PATENT DOCUMENTS**

954,568	A	4/1910	Gebhardt	
1,001,583	A	8/1911	Fairbrother	
1,238,721	A	8/1917	Birnbaum et al.	
1,252,966	A	1/1918	Sudarov	
1,351,205	A	8/1920	Eliasoff et al.	
D223,280	S *	4/1972	Page	D11/86
D239,651	S	4/1976	Hess	
D262,197	S	12/1981	Barr	
4,761,865	A	8/1988	Magnien et al.	
5,099,660	A	3/1992	Dostourian	
D337,546	S *	7/1993	Keshishian	D11/93
5,377,506	A	1/1995	Tranzer	
D409,518	S	5/1999	Ho	
D431,012	S	9/2000	Raviv	
D447,080	S *	8/2001	Itzkowitz	D11/40
6,318,121	B1	11/2001	Pachauer	
D454,090	S *	3/2002	Kaplan	D11/91
D460,379	S	7/2002	Raviv	
6,550,275	B2 *	4/2003	Steinberg	63/28
6,591,633	B2	7/2003	Pachauer	
D480,659	S	10/2003	Pachauer	
D485,509	S	1/2004	Shagalov	

D508,867	S	8/2005	Shum	
D508,868	S *	8/2005	Pinto et al.	D11/92
D510,712	S *	10/2005	Chia et al.	D11/93
D515,451	S *	2/2006	Pinto et al.	D11/7
D529,837	S	10/2006	Shum	
D553,543	S *	10/2007	Kothari	D11/92
D556,083	S *	11/2007	Kothari	D11/91
D563,260	S *	3/2008	Shah	D11/91
D570,727	S *	6/2008	Shah	D11/91
7,444,835	B2	11/2008	Mehta	
7,461,451	B2	12/2008	Kothari	
D584,184	S *	1/2009	Dholakiya	D11/91
D587,159	S *	2/2009	Dholakiya	D11/91
7,546,749	B1	6/2009	Biren	

(Continued)

*Primary Examiner* — Cathron C Brooks

*Assistant Examiner* — Melanie Levy

(74) *Attorney, Agent, or Firm* — Arnold D. Litt; Archer & Breiner, P.C.

(57) **CLAIM**

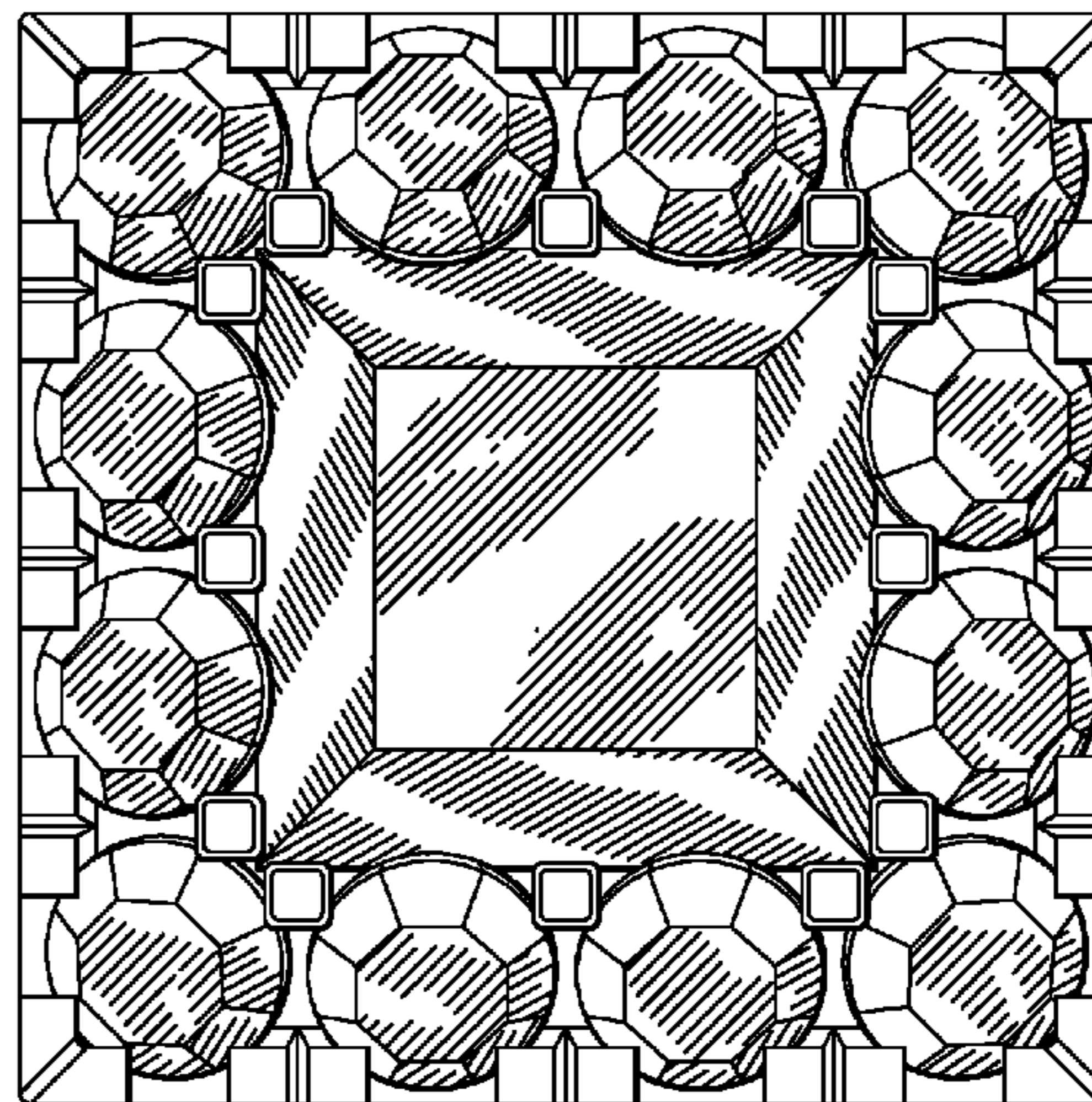
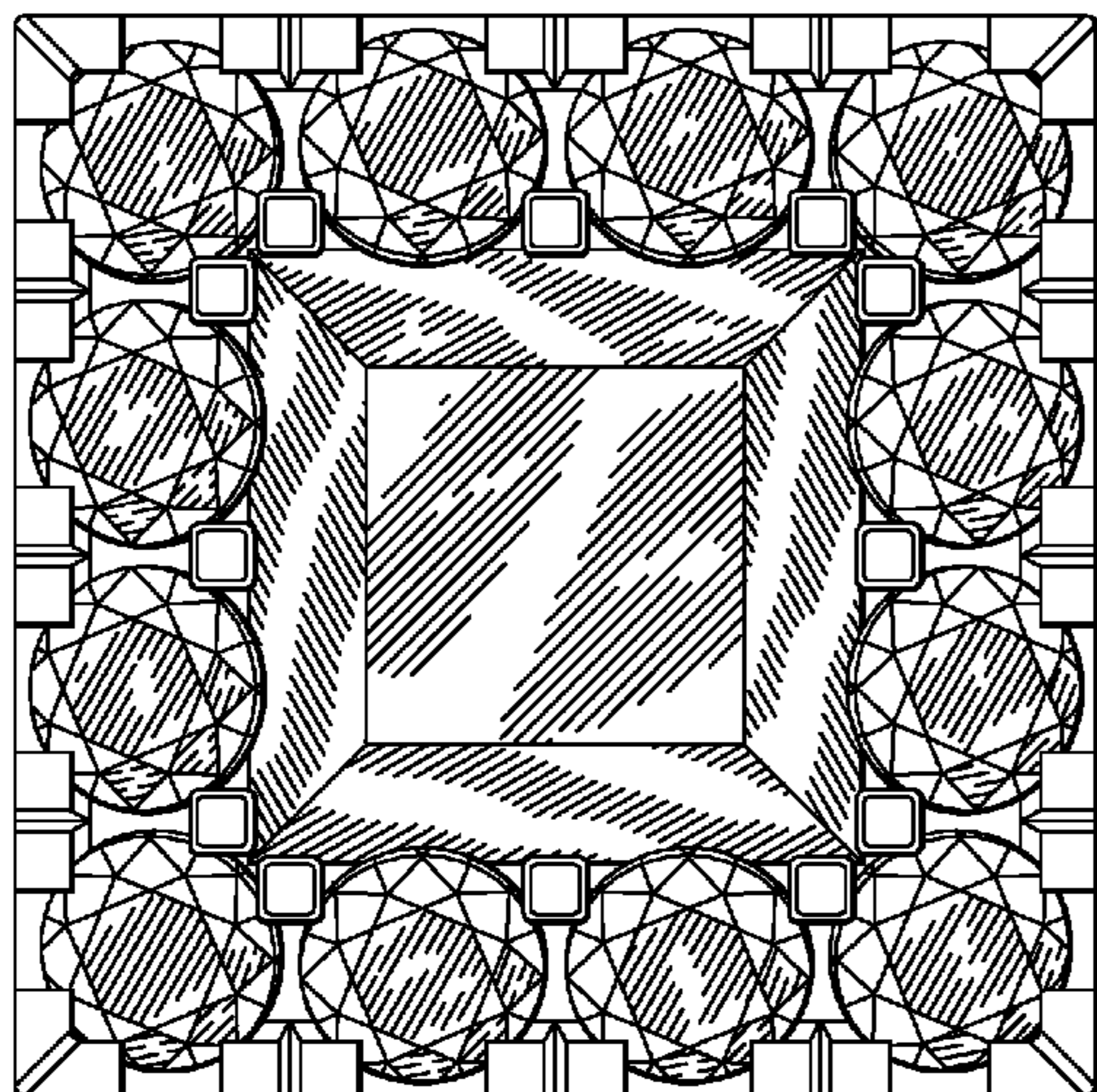
The ornamental design for gemstone jewelry, as shown and described.

**DESCRIPTION**

FIG. 1 is a front and top perspective view of gemstone jewelry showing my new design;  
 FIG. 2 is a front elevational view thereof;  
 FIG. 3 is a rear elevational view thereof;  
 FIG. 4 is a side elevational view thereof;  
 FIG. 5 is a top plan view thereof;  
 FIG. 6 is a front and top perspective view of gemstone jewelry showing a second embodiment of my new design;  
 FIG. 7 is a front elevational view thereof;  
 FIG. 8 is a rear elevational view thereof;  
 FIG. 9 is a side elevational view thereof; and,  
 FIG. 10 is a top plan view thereof.

The broken lines shown in the drawings represent unclaimed portions of the gemstone jewelry and form no part of the claimed design.

**1 Claim, 6 Drawing Sheets**



# US D642,088 S

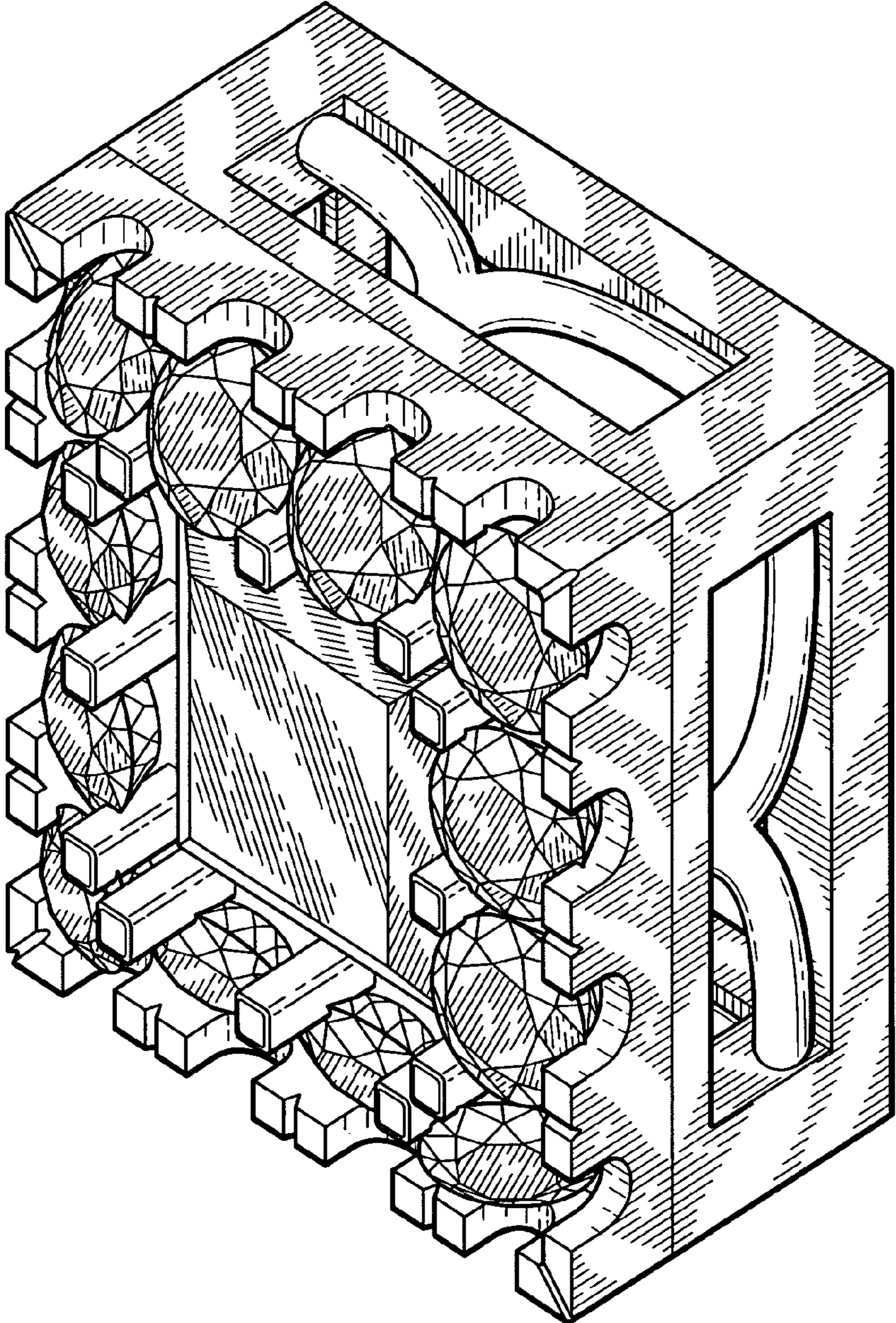
Page 2

---

## U.S. PATENT DOCUMENTS

D598,804 S *	8/2009	Jiwani .....	D11/91	D632,207 S *	2/2011	Gurfinkel .....	D11/91
D615,900 S *	5/2010	Chawla .....	D11/34	D633,409 S *	3/2011	Grosser-Samuels .....	D11/91
7,707,722 B1	5/2010	Kothari		2005/0188722 A1	9/2005	Nevatia et al.	
D620,387 S *	7/2010	Kothari .....	D11/91	2008/0053148 A1	3/2008	Cohen	
7,762,104 B2 *	7/2010	Lin .....	63/28	2009/0056476 A1	3/2009	Lin	
D624,845 S *	10/2010	Shah .....	D11/91	2009/0090132 A1	4/2009	Dholakiya	

\* cited by examiner



*FIG. 1*

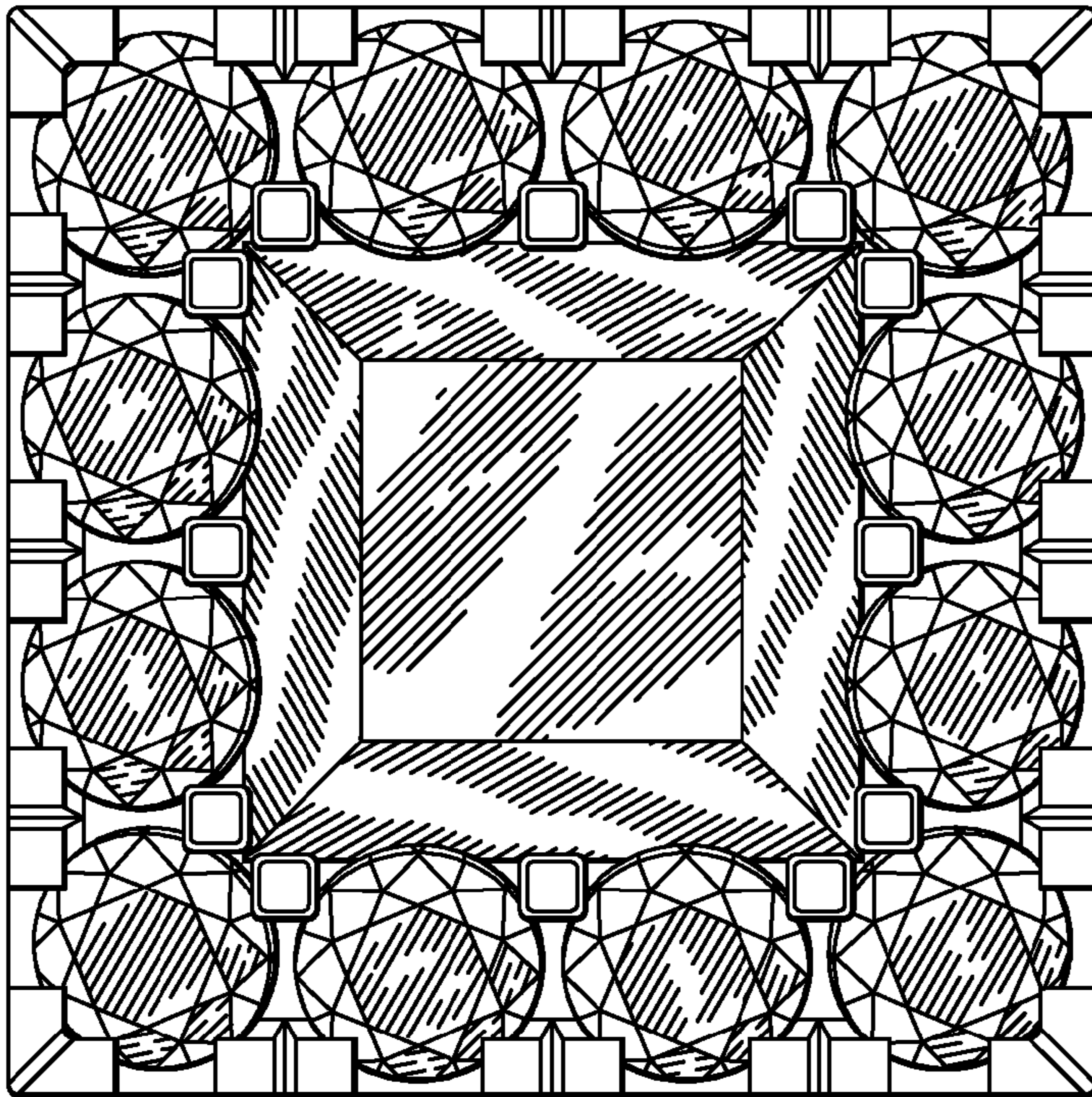


FIG. 2

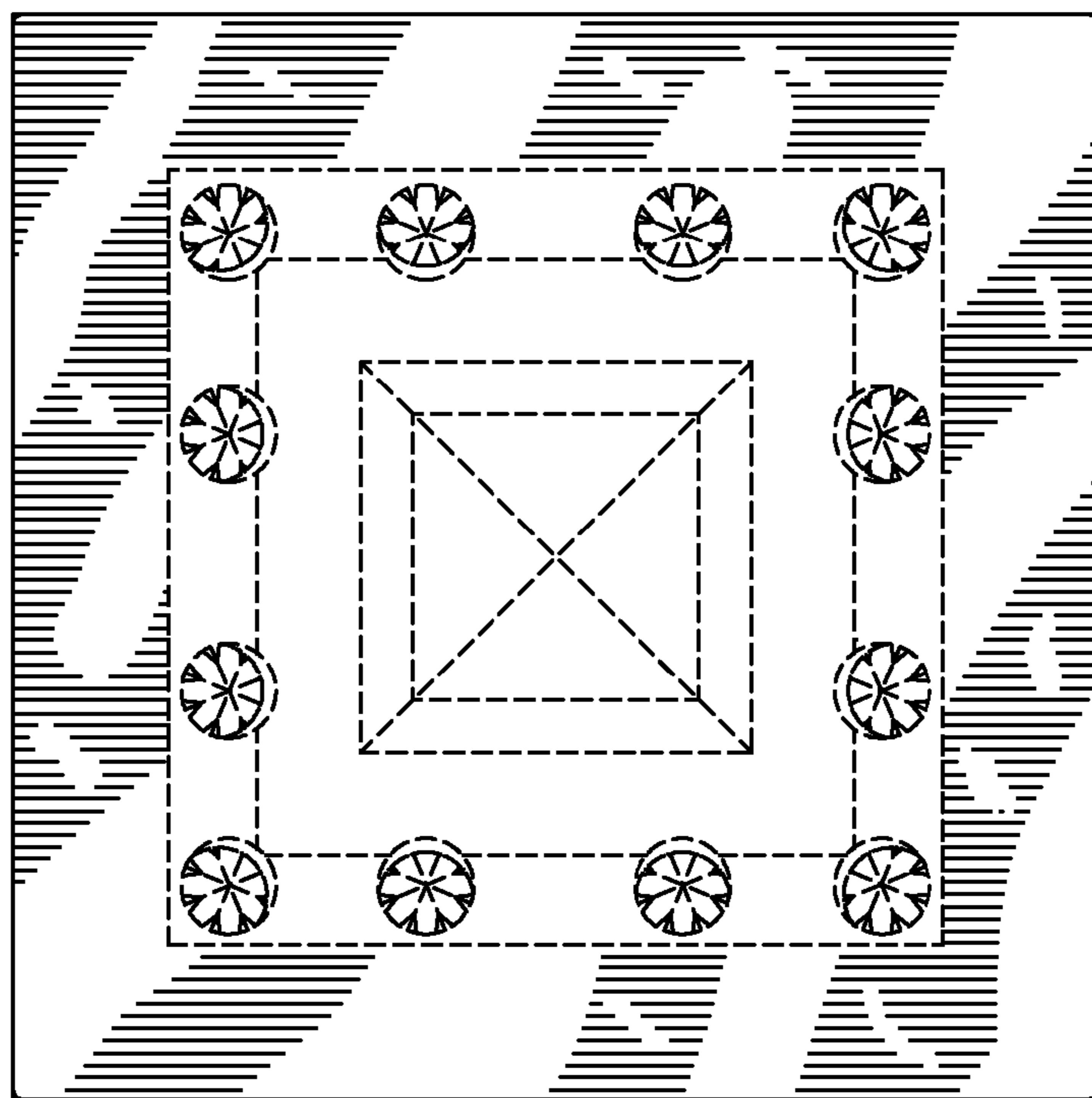


FIG. 3

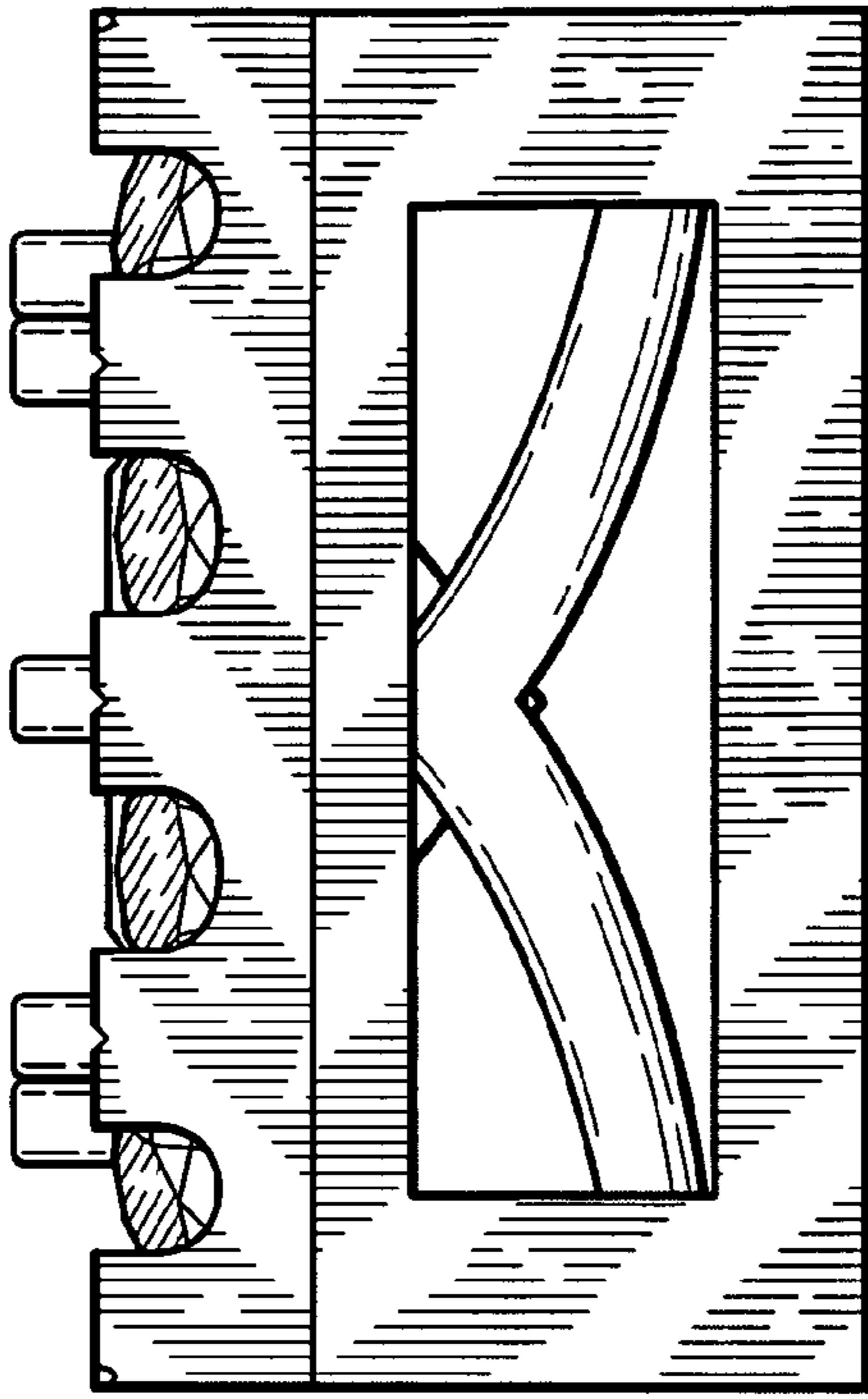


FIG. 4

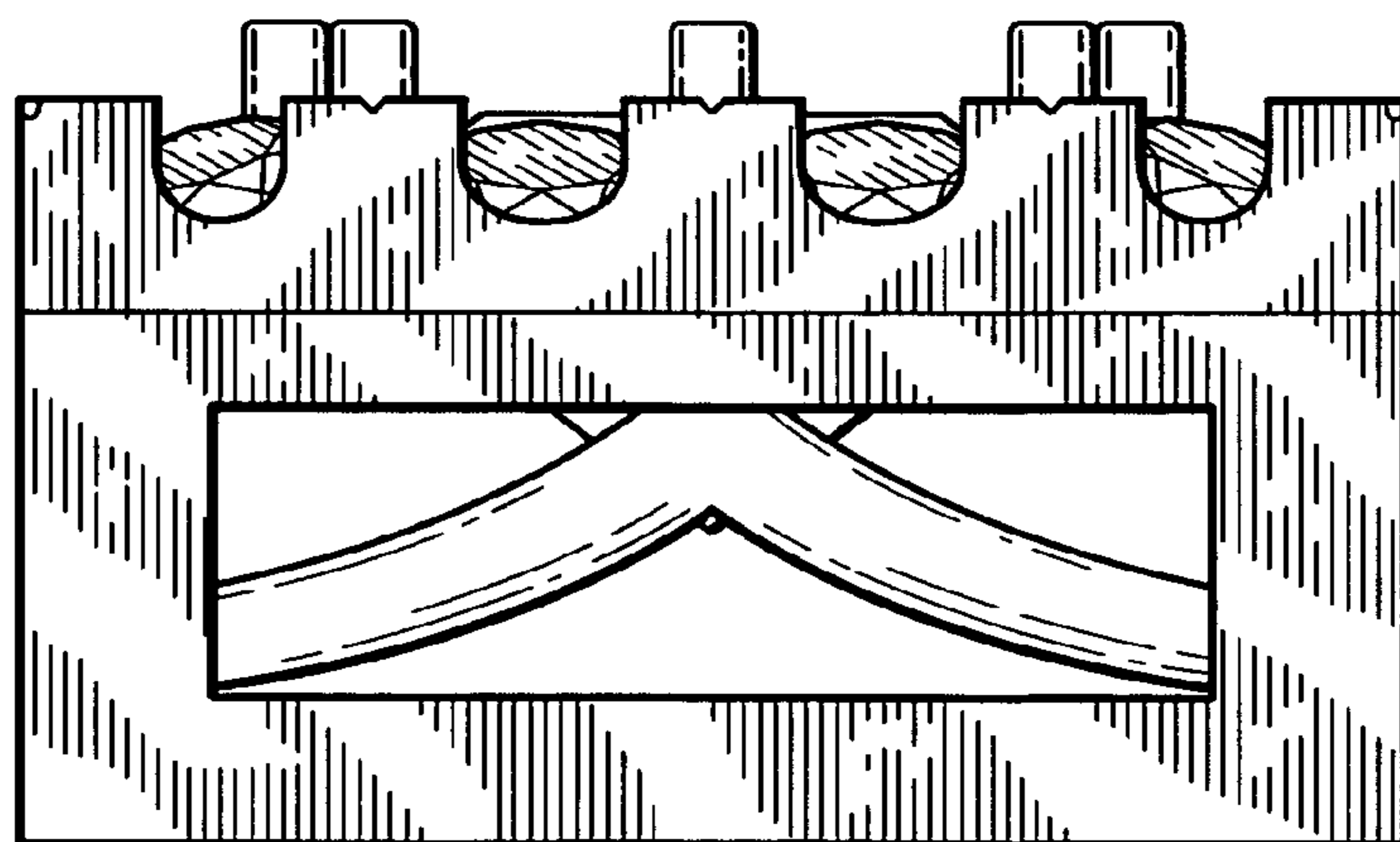
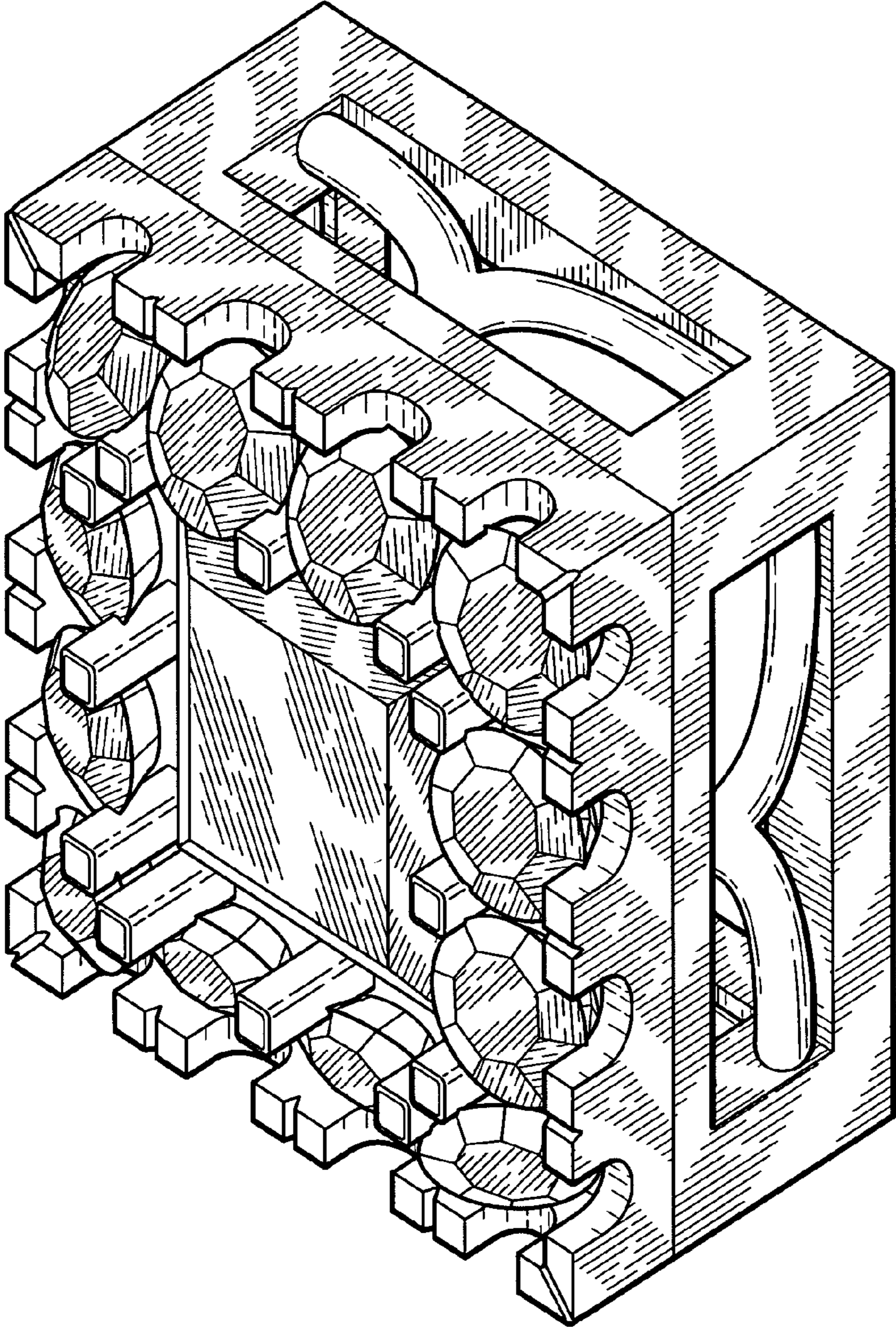


FIG. 5



*FIG. 6*

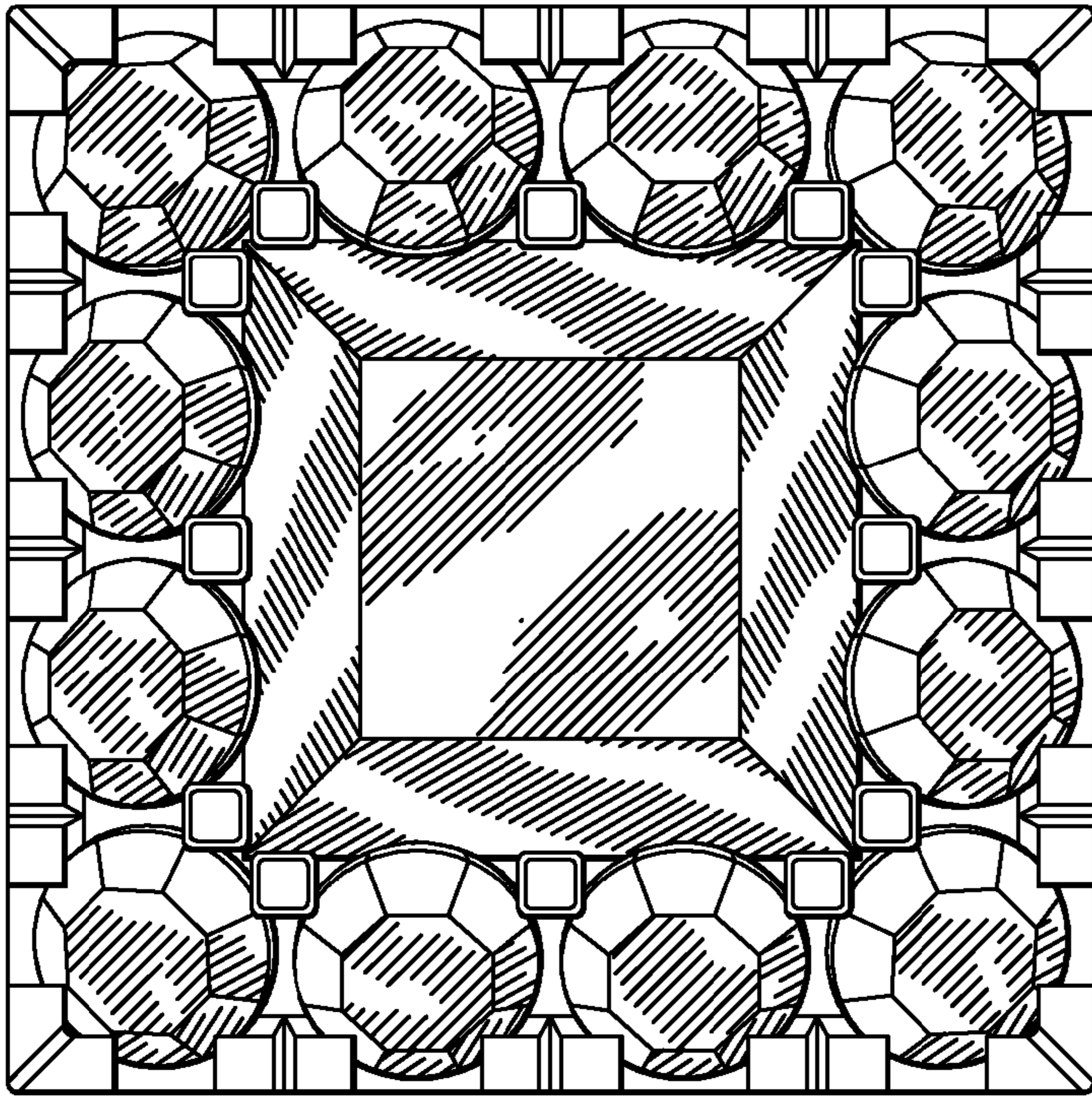


FIG. 7

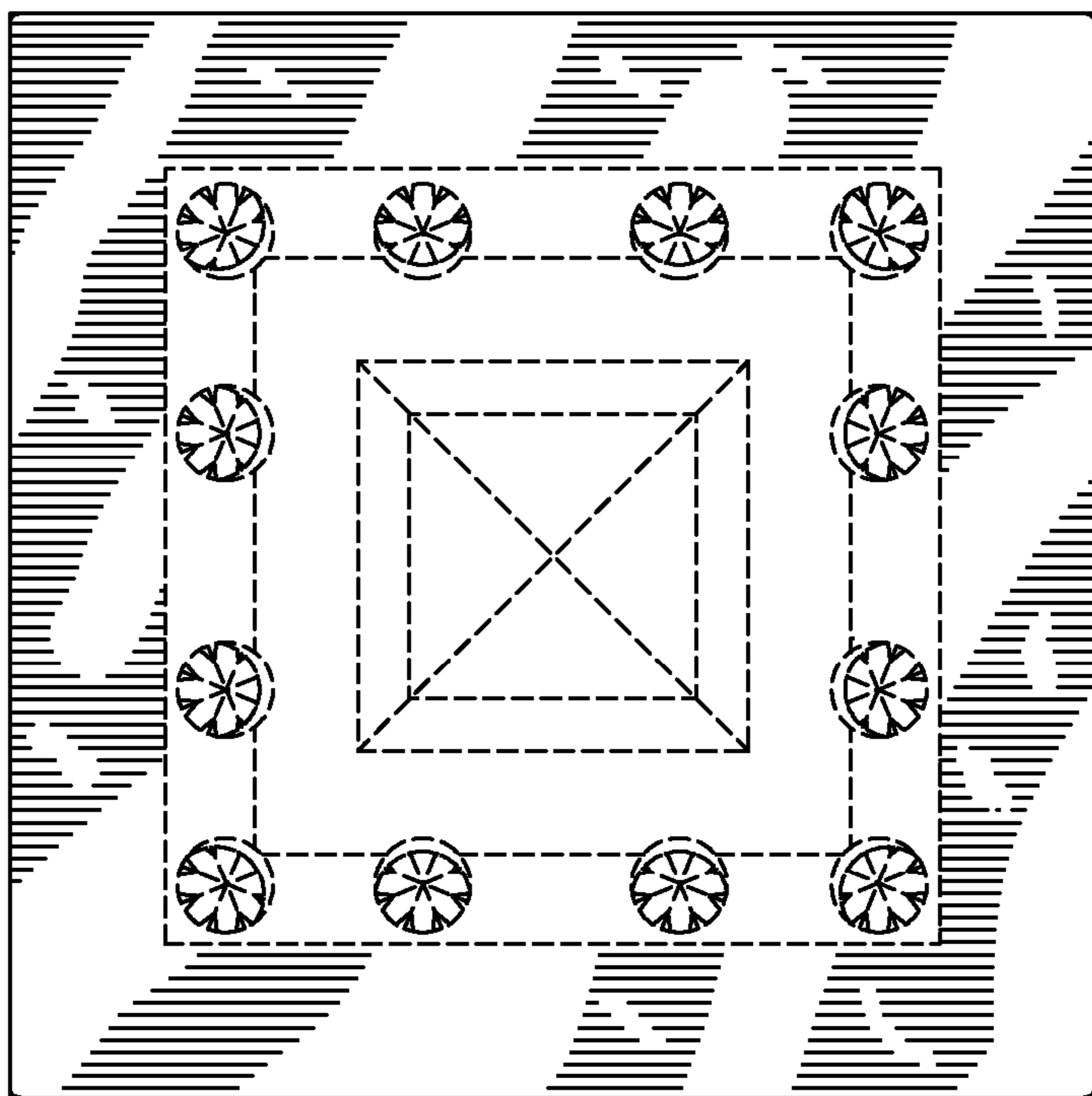


FIG. 8

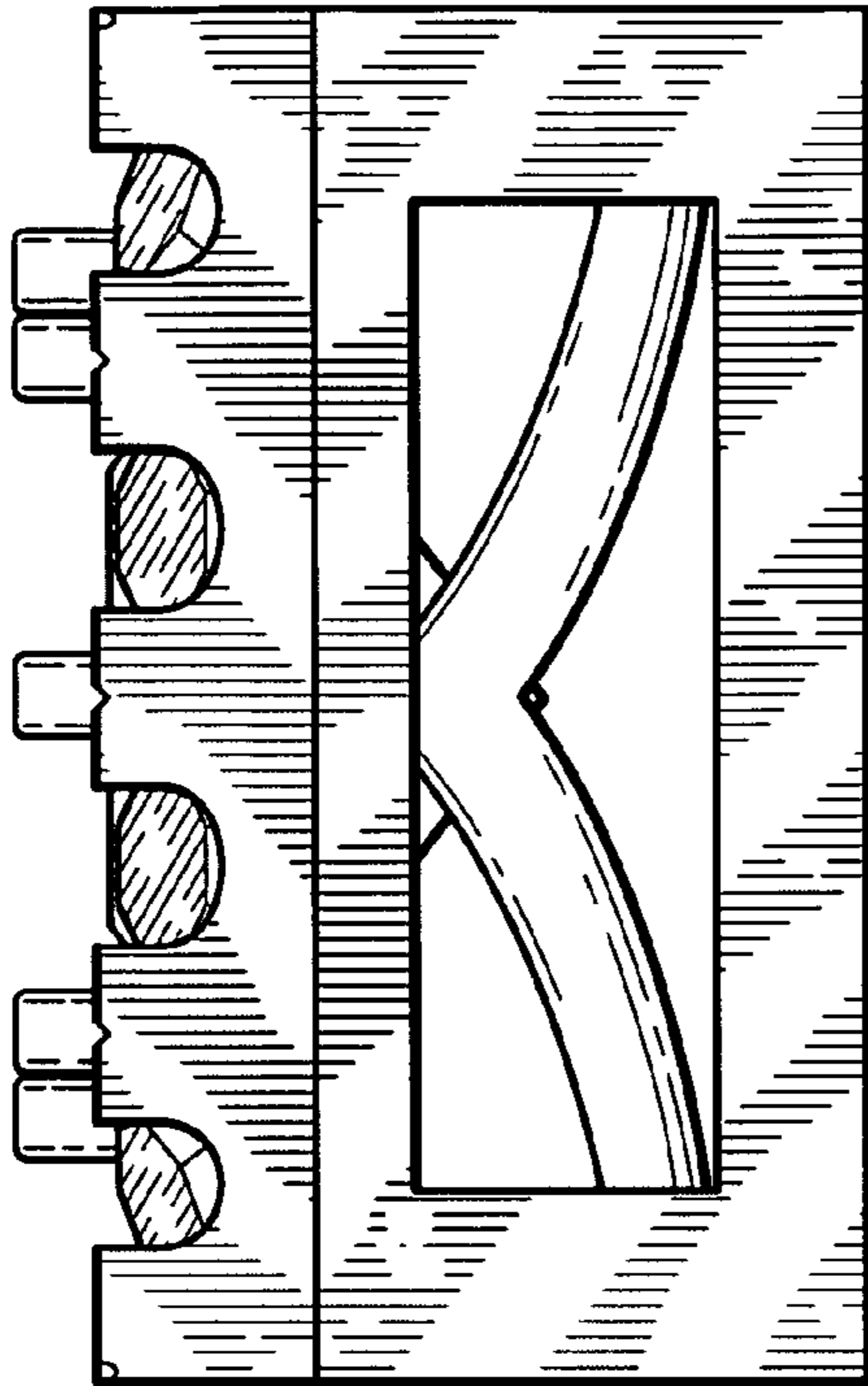


FIG. 9

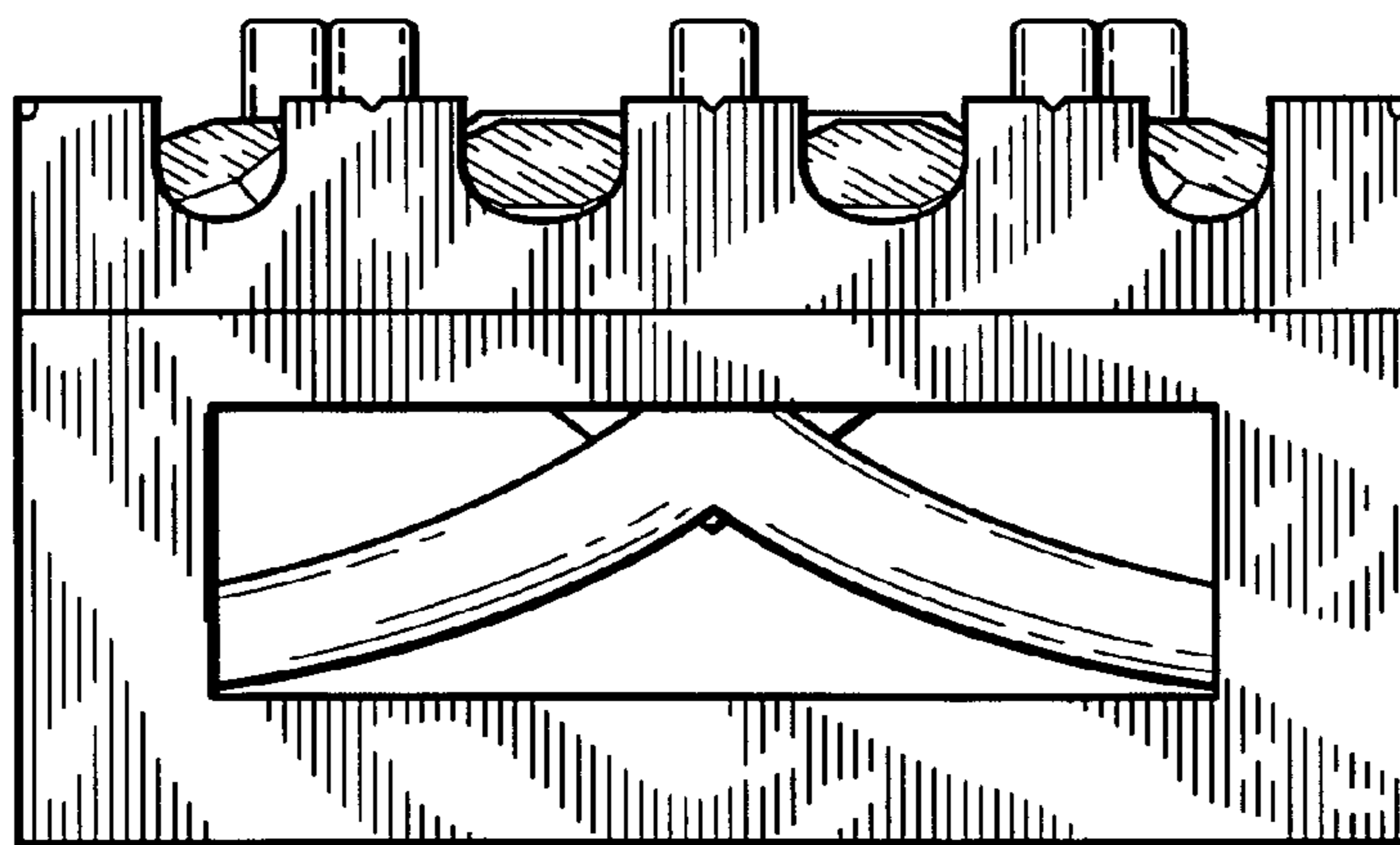


FIG. 10