



US00D642080S

(12) **United States Design Patent**  
**Schmitt**

(10) **Patent No.:** **US D642,080 S**

(45) **Date of Patent:** **\*\* Jul. 26, 2011**

(54) **MEASURING CUP AND KITCHEN SCALE COMBINATION**

(75) Inventor: **Andreas Schmitt**, Stapelfeld (DE)

(73) Assignee: **ADE GmbH & Co.**, Hamburg (DE)

(\*\*) Term: **14 Years**

(21) Appl. No.: **29/359,084**

(22) Filed: **Apr. 6, 2010**

(30) **Foreign Application Priority Data**

Oct. 9, 2009 (EM) ..... 001621509-0001

(51) **LOC (9) Cl.** ..... **10-04**

(52) **U.S. Cl.** ..... **D10/46.2**

(58) **Field of Classification Search** ..... D10/46,  
D10/46.2, 46.3, 49, 50, 51, 52, 83, 84, 87,  
D10/88; D7/316, 318, 598, 600, 601, 602;  
215/379, 381-385; 220/592.16, 495.01,  
220/495.03, 62.11, 62.12, 660, 669, 675;  
72/32 R, 433, 426, 427; D9/547

See application file for complete search history.

(56) **References Cited**

**U.S. PATENT DOCUMENTS**

1,507,968	A *	9/1924	Johnson	73/427
2,516,513	A *	7/1950	Gall, Jr.	222/460
D184,638	S *	3/1959	Rettemeyer	D10/46.2
D218,472	S *	8/1970	Cousins	D10/46.2
D230,688	S *	3/1974	Cryer	D10/46.2
3,924,472	A *	12/1975	Harris	73/426
D243,500	S *	3/1977	Cooper	D10/46.2
D287,324	S *	12/1986	Schmidt	D10/46.2
D287,325	S *	12/1986	Schmidt	D10/46.2
D299,607	S *	1/1989	Ryan	D10/46.2
5,137,316	A *	8/1992	Foos	294/55
D342,784	S *	12/1993	Passiak et al.	D24/123
D356,045	S *	3/1995	Payne	D10/57
D394,217	S *	5/1998	Laib	D10/46.2

D440,501	S *	4/2001	Dorion et al.	D10/46.2
D473,148	S *	4/2003	Kleckauskas et al.	D10/46.2
6,543,284	B2 *	4/2003	Hoeting et al.	73/427
D493,332	S *	7/2004	Bin	D7/510
6,769,302	B1 *	8/2004	King et al.	73/427
D548,114	S *	8/2007	Sawhney et al.	D10/46.2
D548,115	S *	8/2007	Sawhney et al.	D10/46.2
D559,634	S *	1/2008	Chan	D7/668
D562,160	S *	2/2008	Cohen	D10/46.2
D580,798	S *	11/2008	Barber	D10/46.2
D589,761	S *	4/2009	Ablo	D7/677
7,753,206	B2 *	7/2010	Sawhney et al.	206/514
D620,817	S *	8/2010	Eide et al.	D10/46.2
2001/0042402	A1 *	11/2001	Hoeting et al.	73/427
2006/0174694	A1 *	8/2006	Horst	73/32 R

\* cited by examiner

*Primary Examiner* — Stella Reid

*Assistant Examiner* — Elizabeth J Oswecki

(74) *Attorney, Agent, or Firm* — Howson & Howson LLP

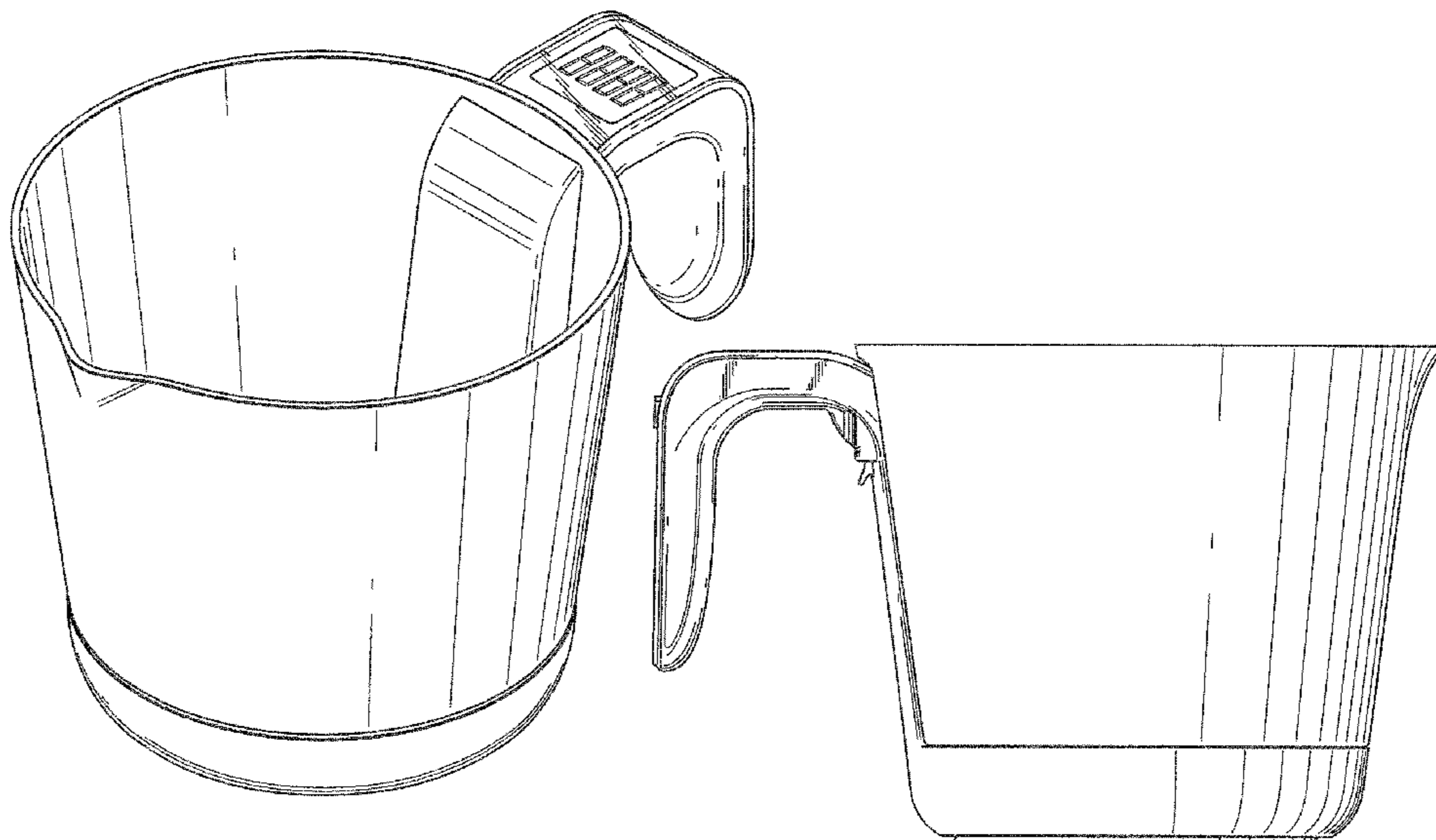
(57) **CLAIM**

The ornamental design for a measuring cup and kitchen scale combination, as shown.

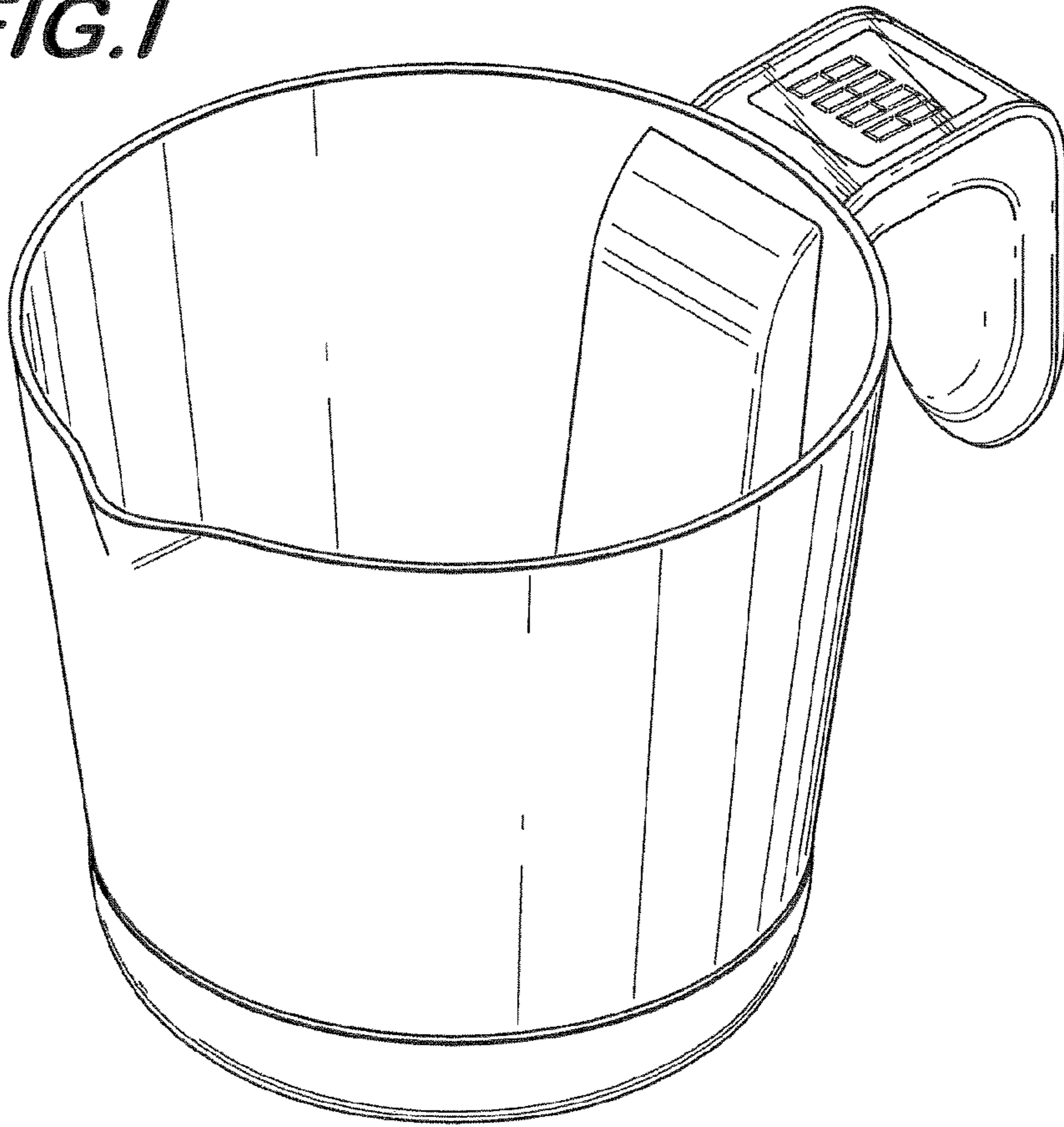
**DESCRIPTION**

FIG. 1 is a perspective view of a measuring cup and kitchen scale combination according to my new design;  
 FIG. 2 is a left side elevational view of the measuring cup and kitchen scale combination of FIG. 1;  
 FIG. 3 is a right side elevational view of the measuring cup and kitchen scale combination of FIG. 1;  
 FIG. 4 is a front elevational view of the measuring cup and kitchen scale combination of FIG. 1;  
 FIG. 5 is a rear elevational view of the measuring cup and kitchen scale combination of FIG. 1;  
 FIG. 6 is a top plan view of the measuring cup and kitchen scale combination of FIG. 1; and,  
 FIG. 7 is a bottom view of the measuring cup and kitchen scale combination of FIG. 1.

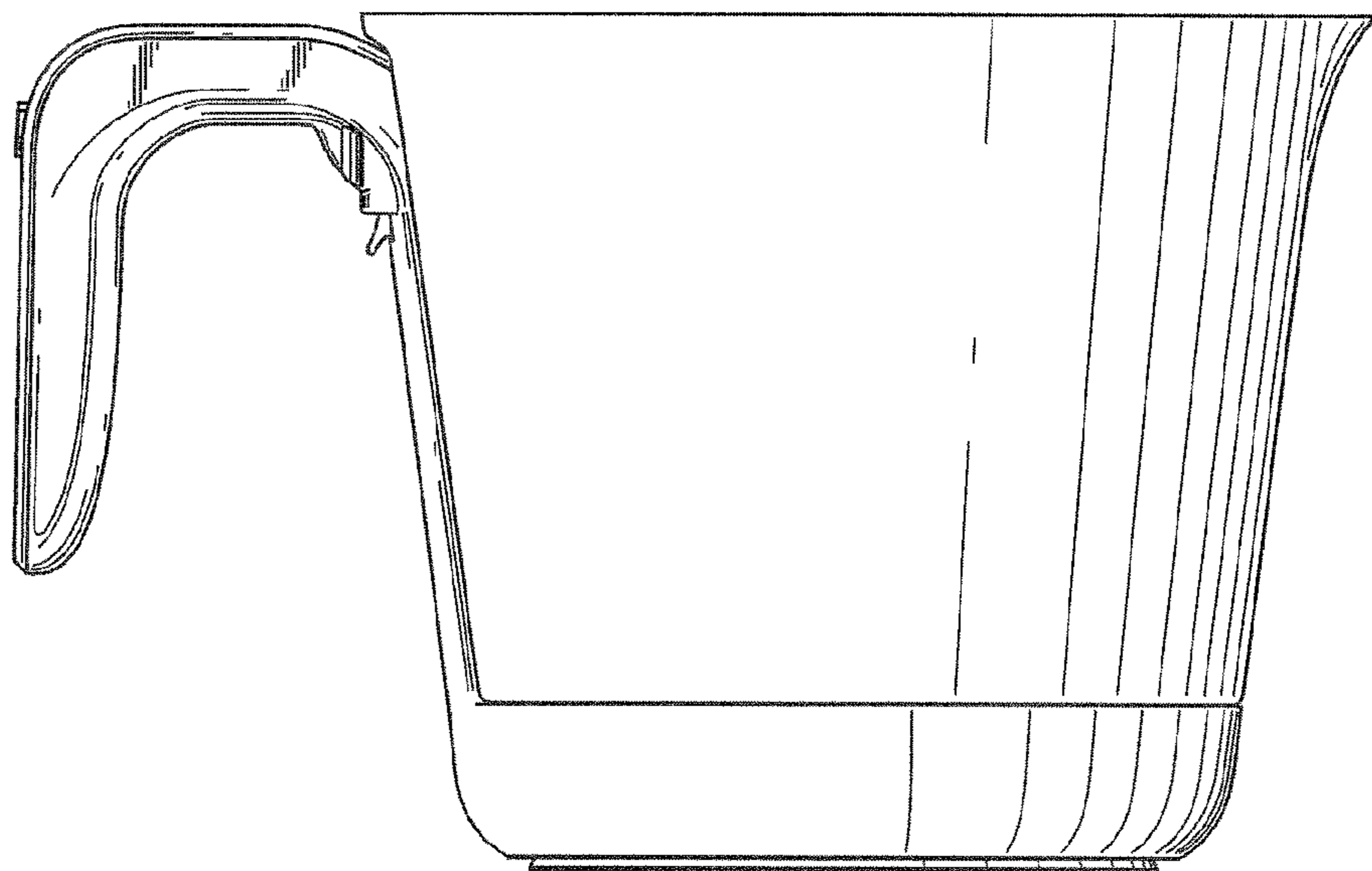
**1 Claim, 3 Drawing Sheets**

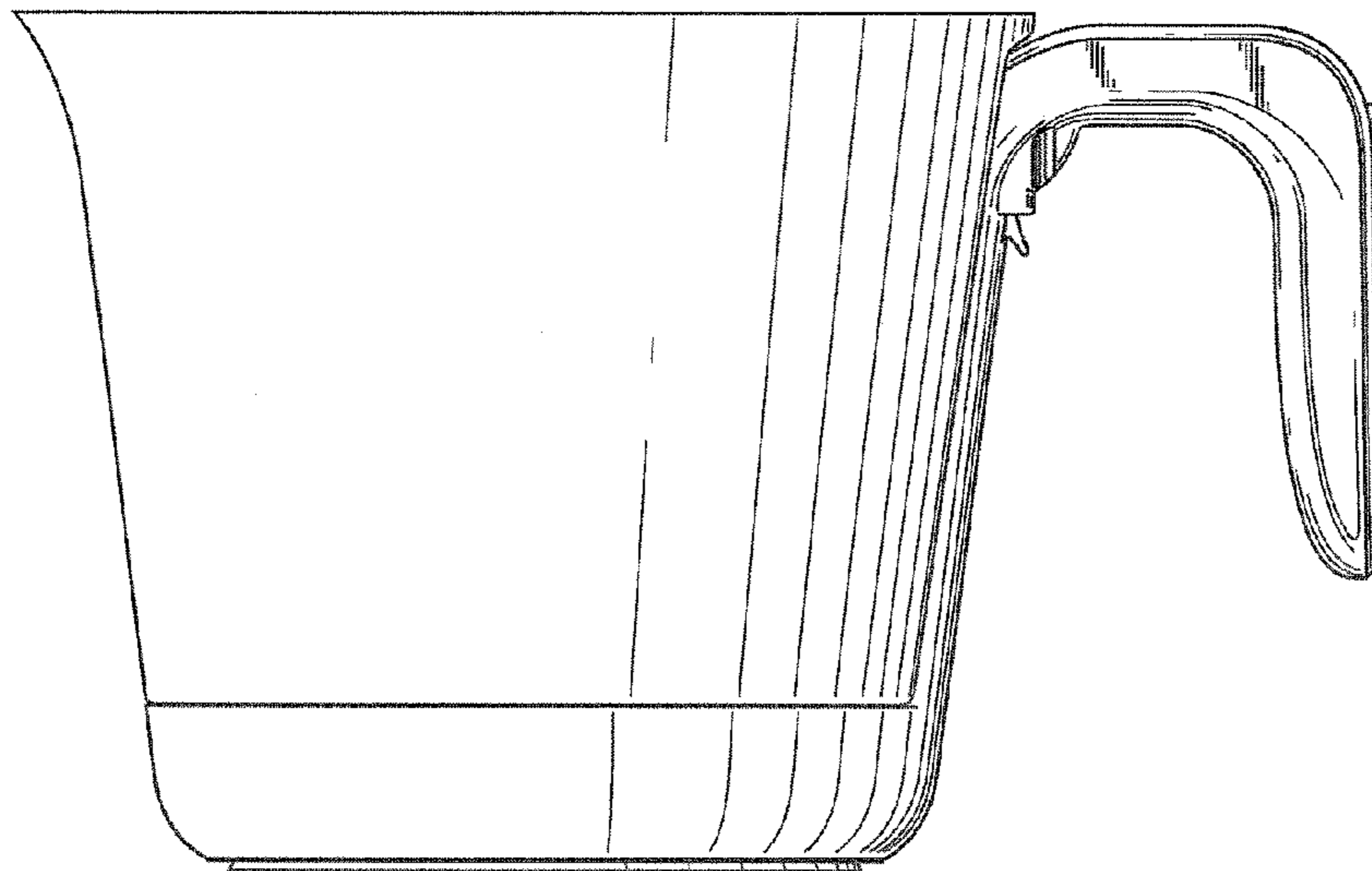


**FIG. 1**

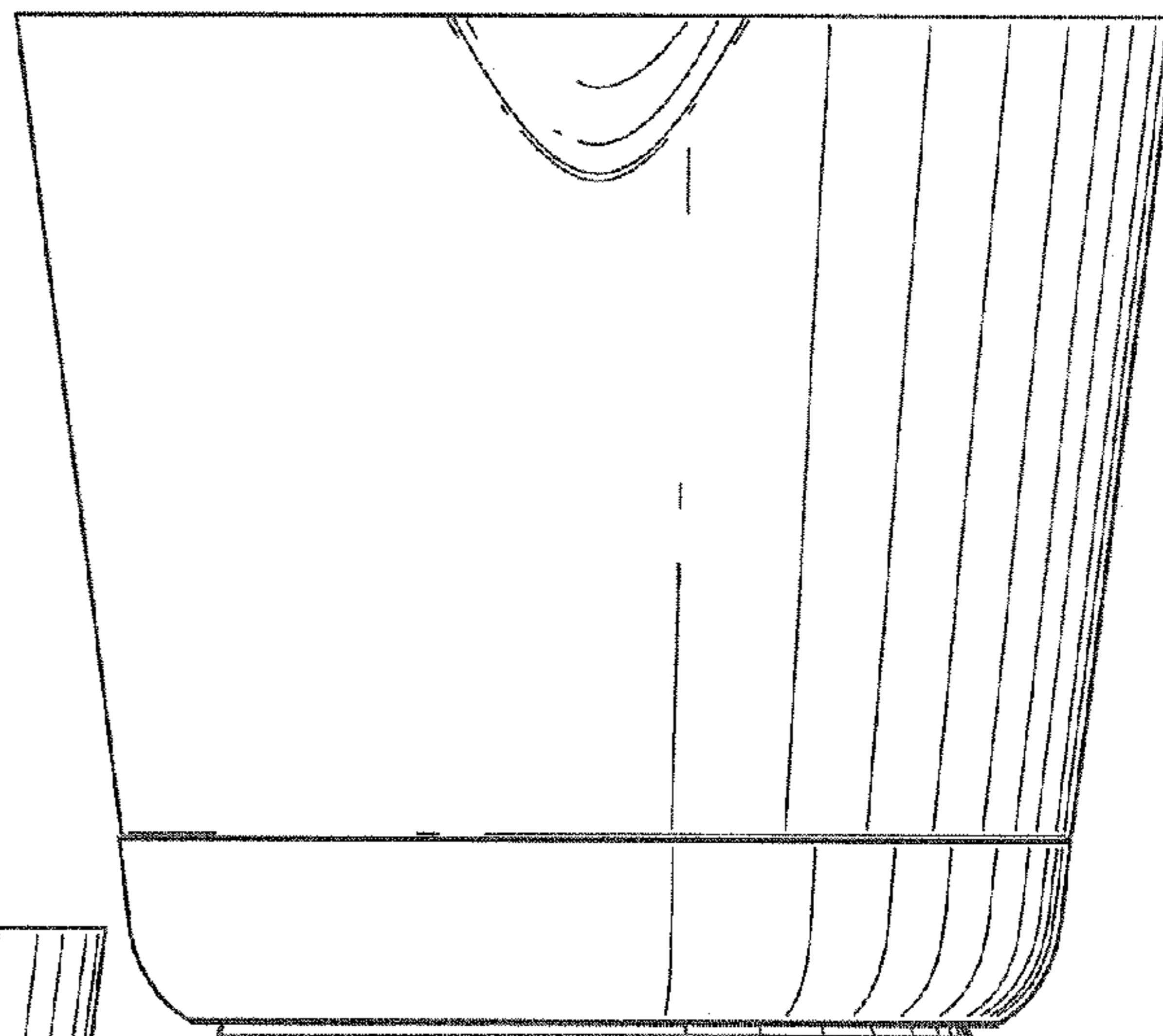


**FIG. 2**

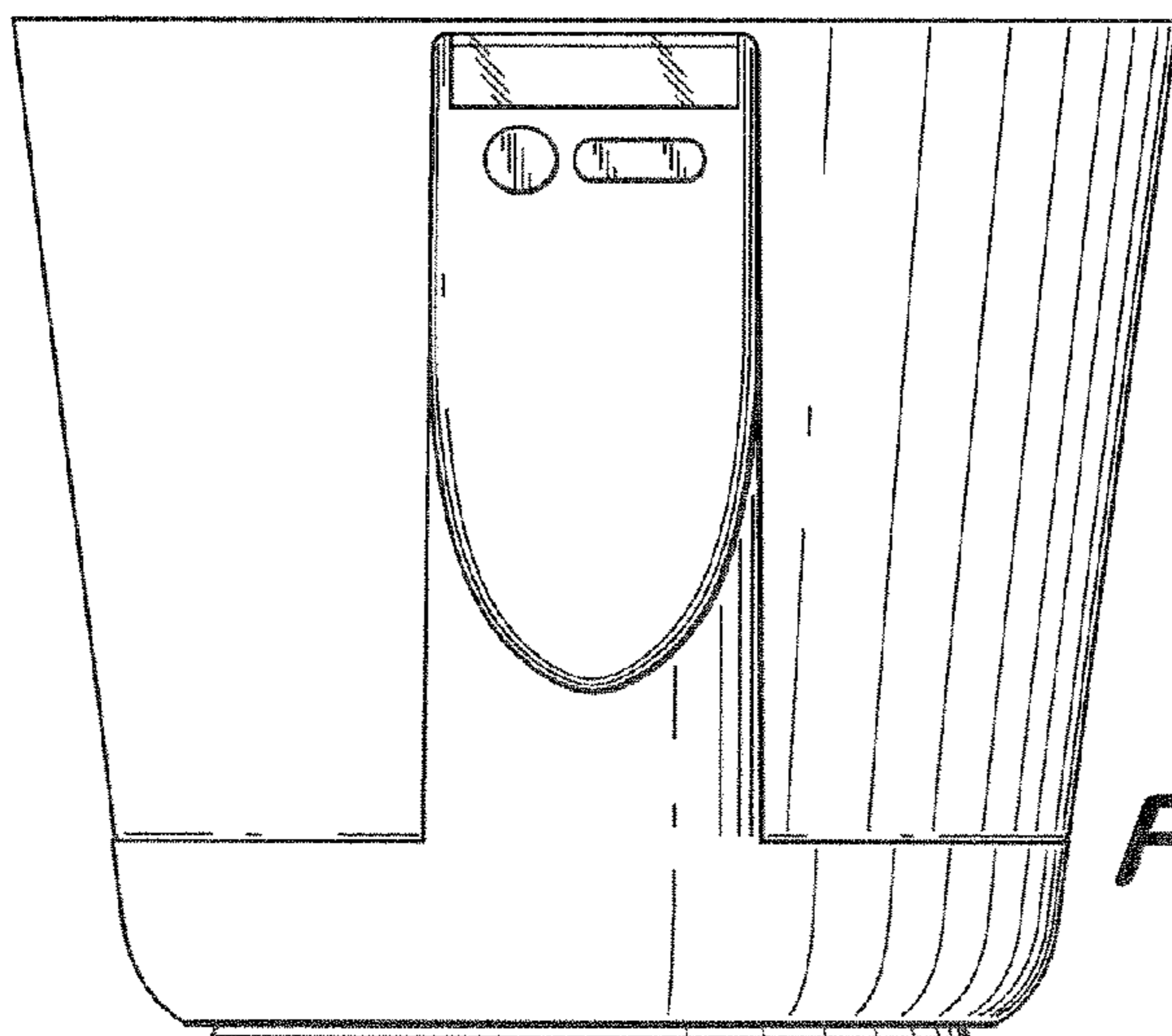




**FIG. 3**



**FIG. 4**



**FIG. 5**

