



US00D642078S

(12) **United States Design Patent**  
**Balter et al.**

(10) **Patent No.:** **US D642,078 S**

(45) **Date of Patent:** **\*\* Jul. 26, 2011**

(54) **ELAPSED TIME CLOCK**

(75) Inventors: **Nancy Balter**, Culver City, CA (US);  
**Adam O'Hern**, Los Angeles, CA (US);  
**Riley Wilkinson**, Long Beach, CA (US);  
**Jessie Cho**, Harbor City, CA (US)

(73) Assignee: **Educational Insights, Inc.**, Vernon Hills, IL (US)

(\*\*) Term: **14 Years**

(21) Appl. No.: **29/384,795**

(22) Filed: **Feb. 3, 2011**

(51) **LOC (9) Cl.** ..... **10-03**

(52) **U.S. Cl.** ..... **D10/41; D10/14; D10/40; D19/64**

(58) **Field of Classification Search** ..... D10/41,  
D10/40, 14, 15, 21, 31, 30; 368/101-123,  
368/96, 316, 317; D19/62, 64; 434/304;  
D21/531

See application file for complete search history.

(56) **References Cited**

**U.S. PATENT DOCUMENTS**

D142,911	S *	11/1945	Shrier	.....	D19/64
3,191,901	A *	6/1965	Green	.....	248/116
D215,951	S *	11/1969	Arato et al.	.....	D19/64
3,508,350	A *	4/1970	Genin	.....	434/304
D234,496	S *	3/1975	Johnson	.....	D10/14
D256,807	S *	9/1980	McLean	.....	D19/64
4,273,541	A *	6/1981	Ishiyama	.....	434/304
4,464,060	A *	8/1984	Schneider	.....	368/96
D354,232	S *	1/1995	Inora	.....	D10/18
5,420,830	A *	5/1995	Camaratta et al.	.....	368/96
D377,949	S	2/1997	Woldenberg et al.		
D396,192	S *	7/1998	Kubota	.....	D10/14
5,851,118	A *	12/1998	Woldenberg et al.	.....	434/304
D457,812	S *	5/2002	Chan	.....	D10/14
D473,901	S	4/2003	Stoneberg		
7,121,833	B2 *	10/2006	Brown et al.	.....	434/304
7,236,430	B2 *	6/2007	Brown et al.	.....	368/80

**OTHER PUBLICATIONS**

“Big Time Learning Clock, 12-Hour Demonstration Clock” Learning Resources, Inc. (available prior to Feb. 3, 2011).

“Judy Discovery Clock” Judy/Instructo Company (available prior to Feb. 3, 2011).

“Magnetic Big Time Learning Clock: 13” Learning Resources, Inc. (available prior to Feb. 3, 2011).

“Primary Time Teacher 12-Hour Learning Clock” Learning Resources, Inc. (available prior to Feb. 3, 2011).

“Talking Clever Clock” Learning Resources, Inc. (available prior to Feb. 3, 2011).

\* cited by examiner

*Primary Examiner* — Lucy Lieberman

(74) *Attorney, Agent, or Firm* — Michael Best & Friedrich LLP

(57) **CLAIM**

We claim the ornamental design for an elapsed time clock, as shown.

**DESCRIPTION**

FIG. 1 is a perspective view of an elapsed time clock.

FIG. 2 is a front view of the elapsed time clock shown in FIG. 1.

FIG. 3 is a rear view of the elapsed time clock shown in FIG. 1.

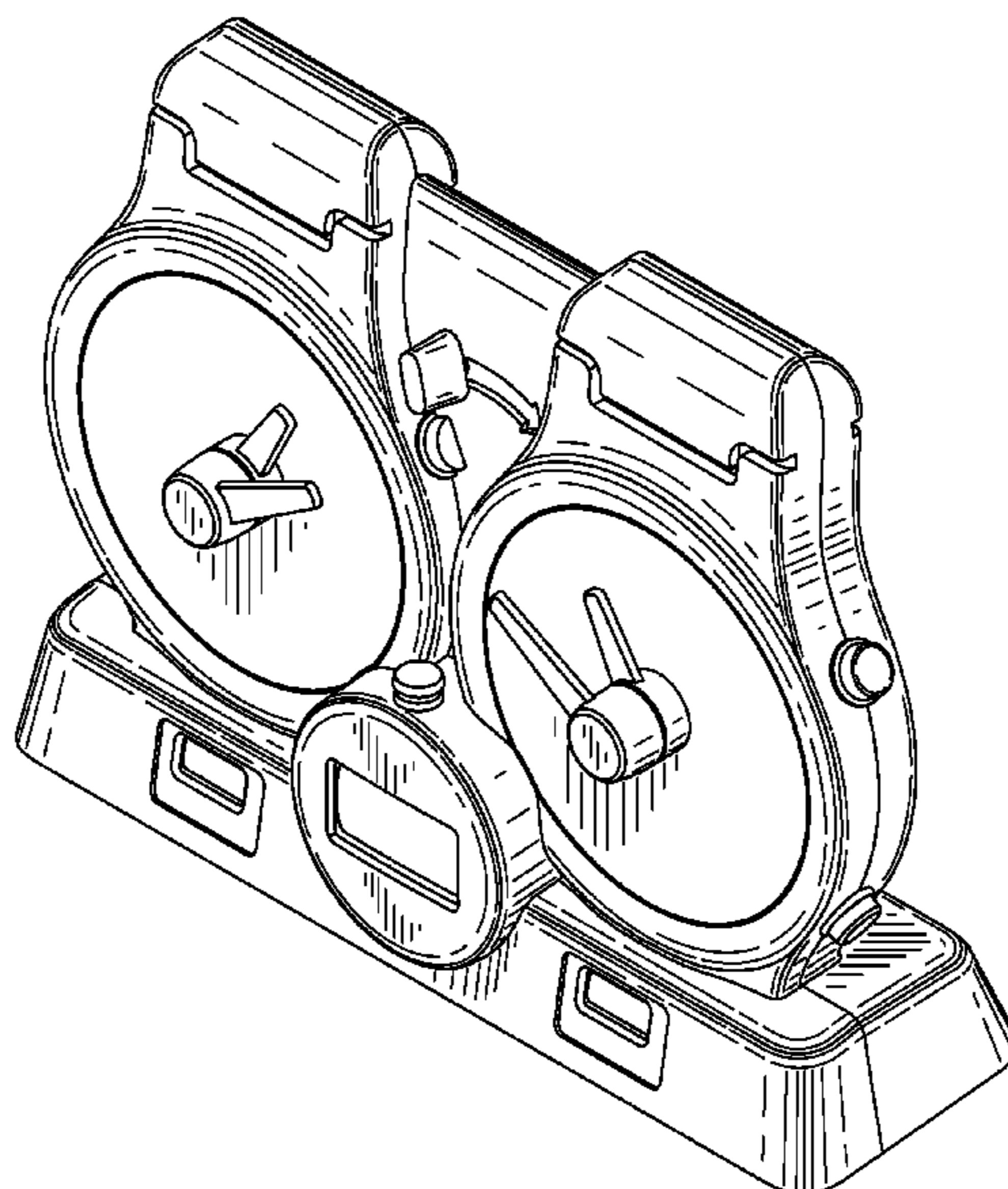
FIG. 4 is a right side view of the elapsed time clock shown in FIG. 1.

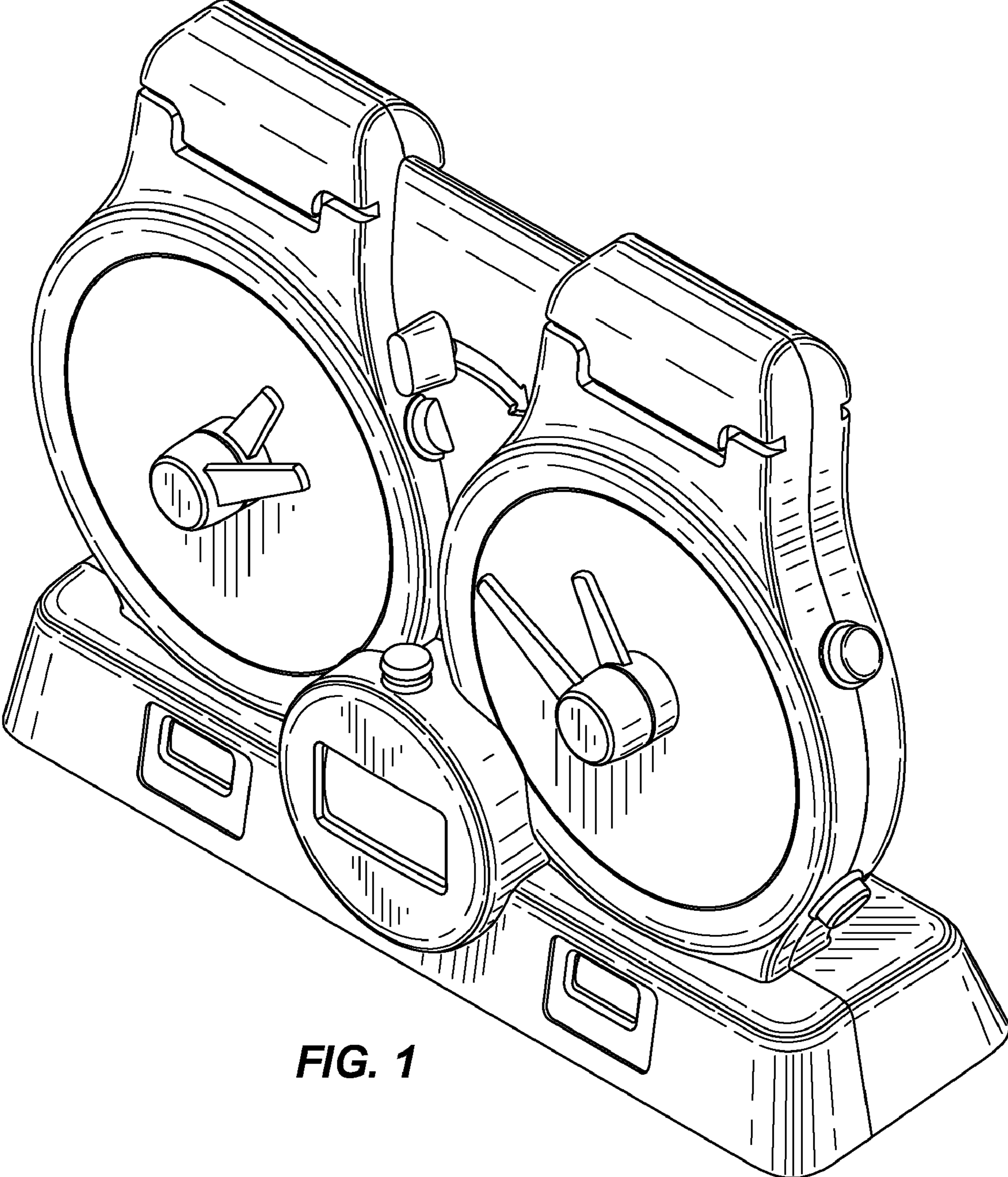
FIG. 5 is a left side view of the elapsed time clock shown in FIG. 1.

FIG. 6 is a top view of the elapsed time clock shown in FIG. 1; and,

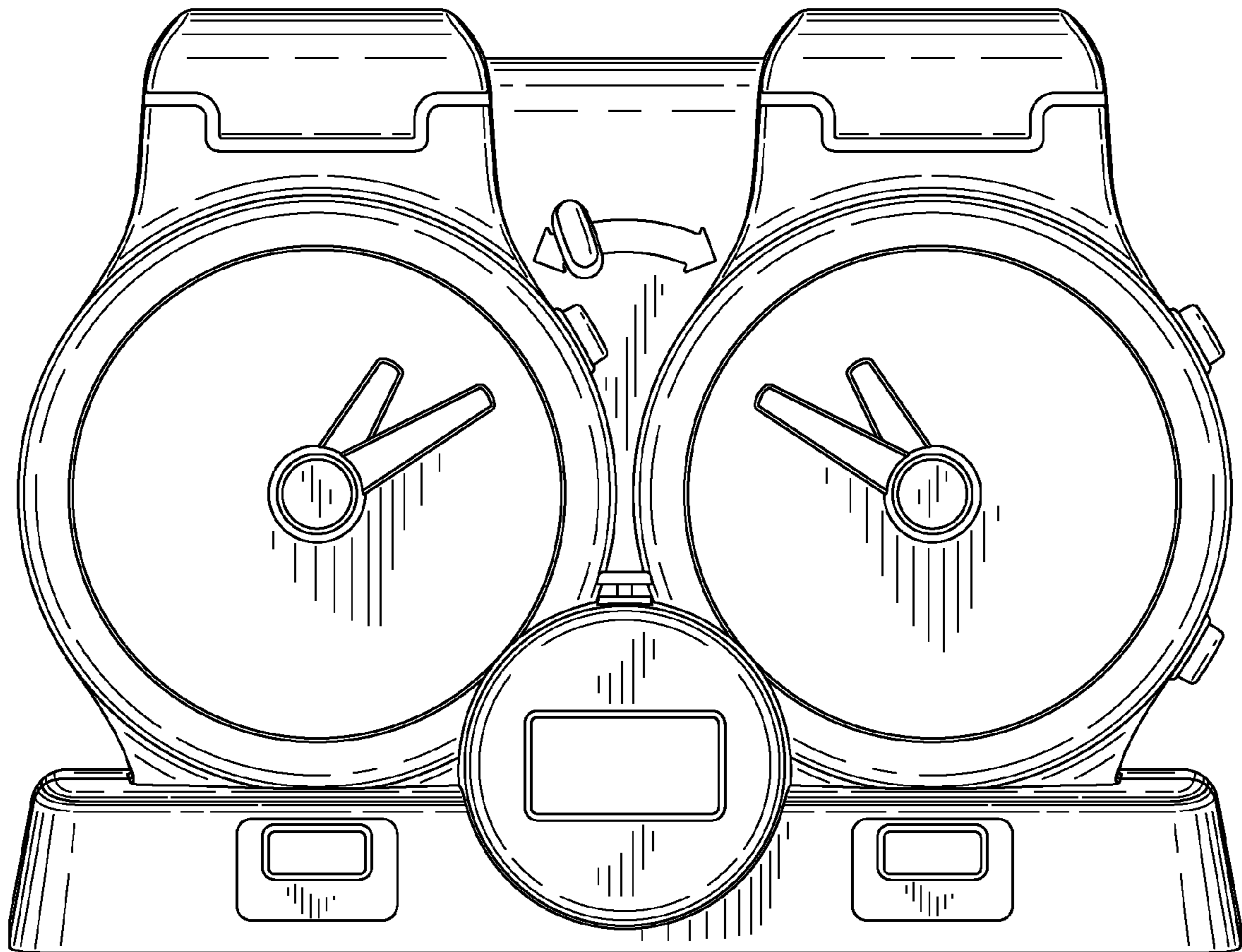
FIG. 7 is a bottom view of the elapsed time clock shown in FIG. 1.

**1 Claim, 6 Drawing Sheets**

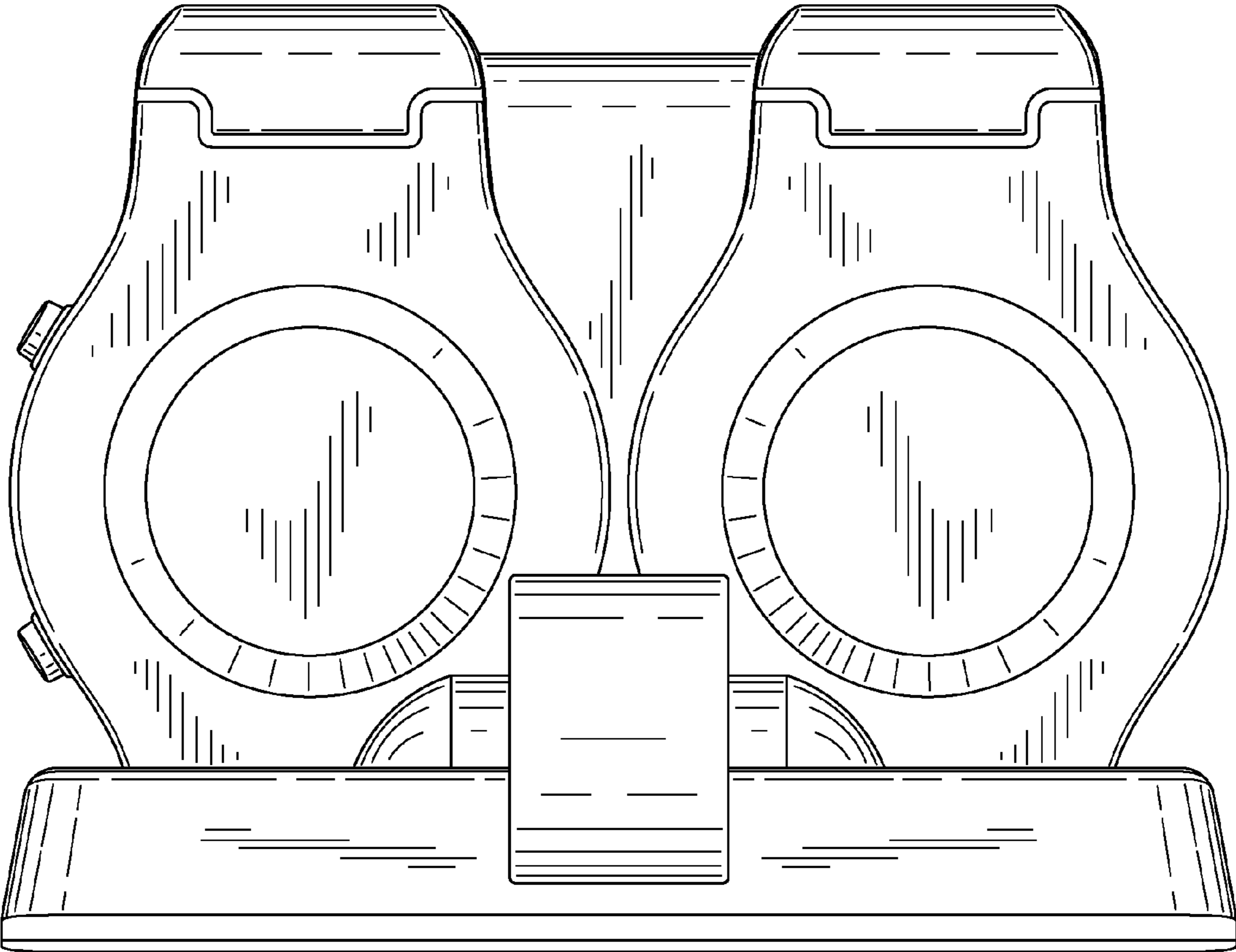




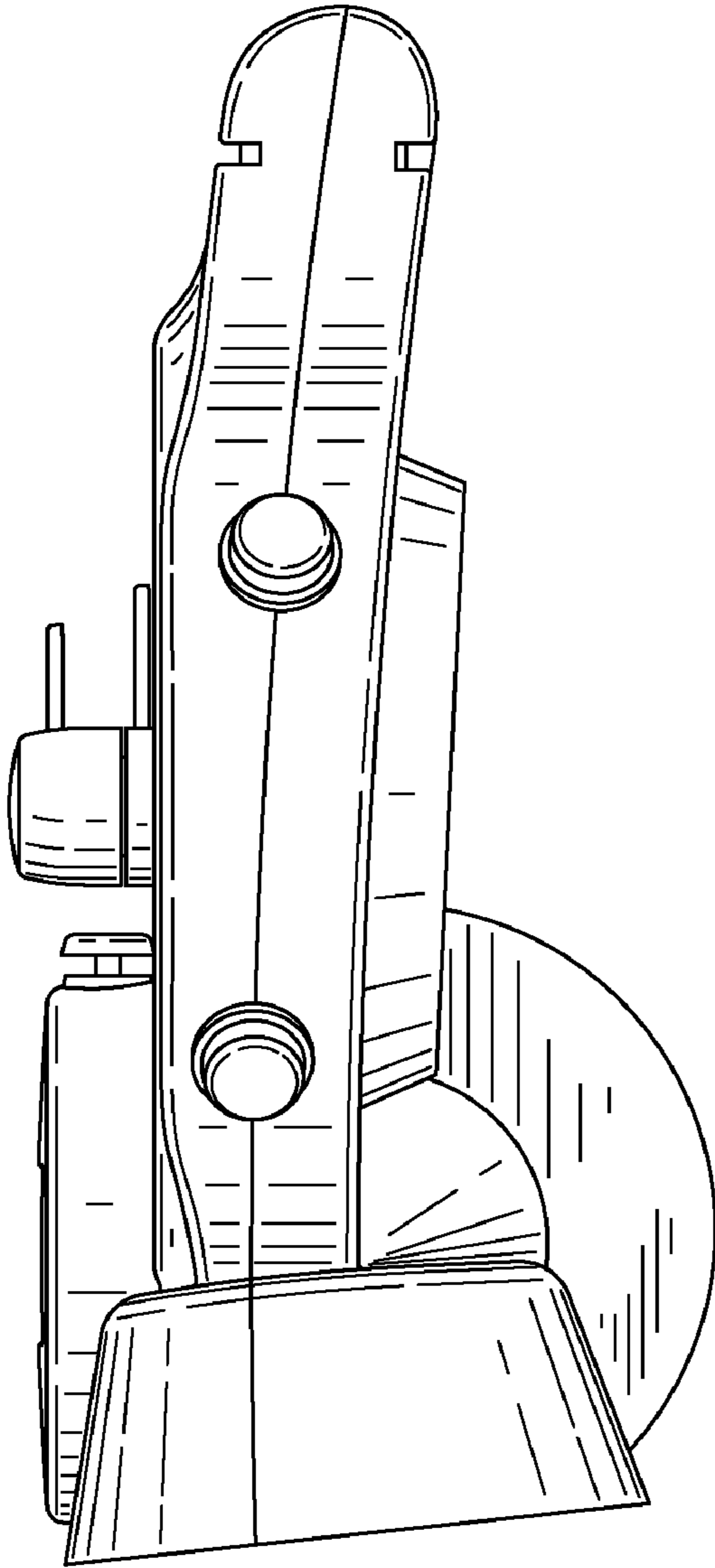
**FIG. 1**



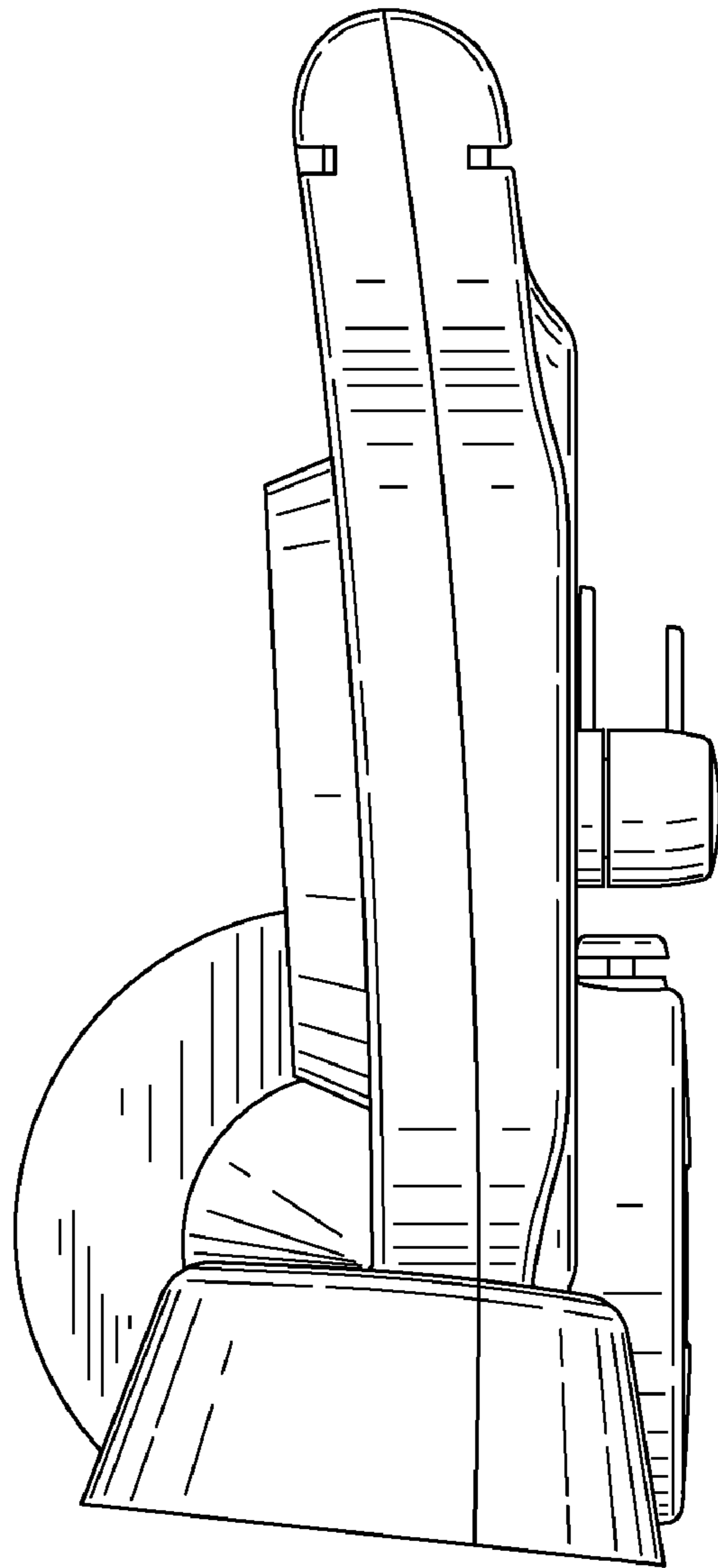
**FIG. 2**



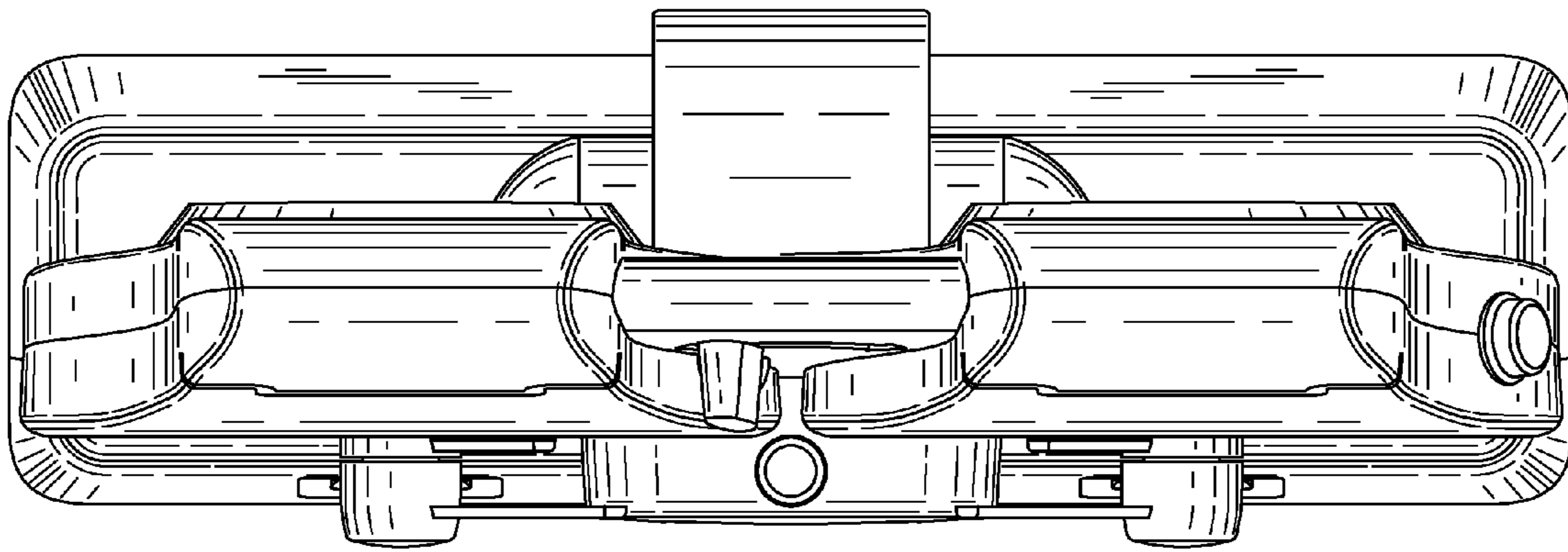
**FIG. 3**



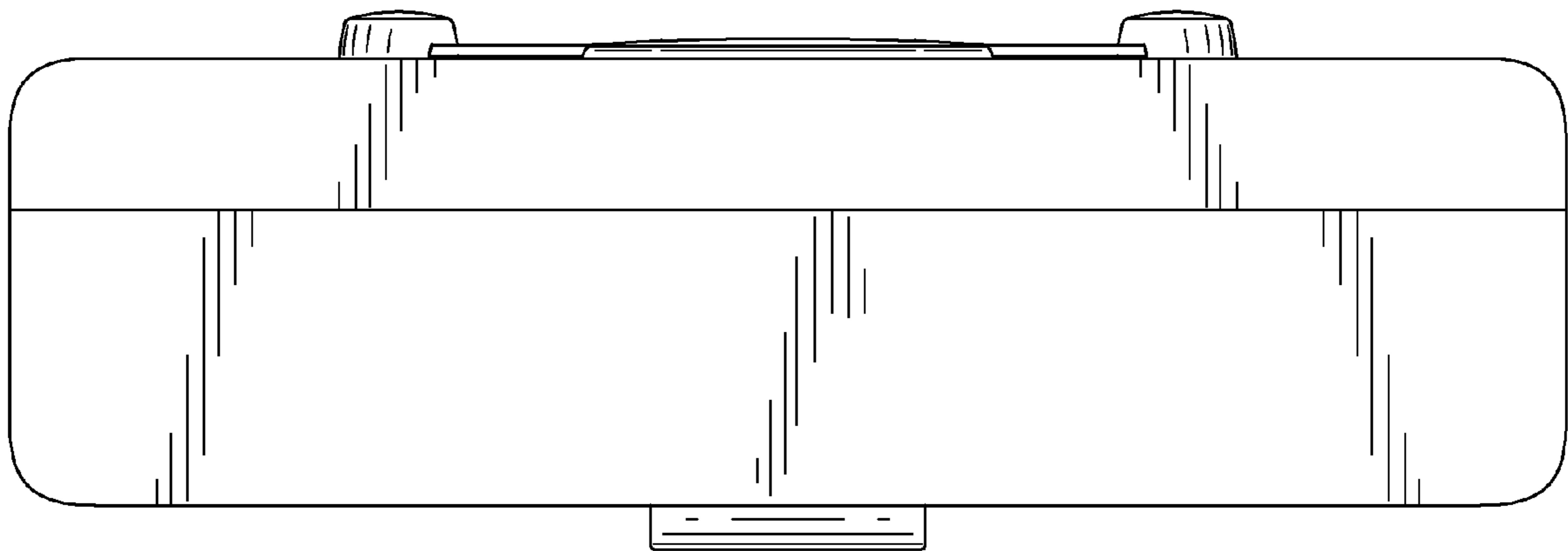
**FIG. 4**



**FIG. 5**



**FIG. 6**



**FIG. 7**