



US00D642075S

(12) **United States Design Patent**
Crocco

(10) **Patent No.:** **US D642,075 S**
(45) **Date of Patent:** **** Jul. 26, 2011**

(54) **WRISTWATCH**

(75) Inventor: **Carlo Crocco**, Lugano (CH)

(73) Assignee: **HUBLLOT SA**, Geneve, Geneva (CH)

(**) Term: **14 Years**

(21) Appl. No.: **29/319,647**

(22) Filed: **Jun. 12, 2008**

(30) **Foreign Application Priority Data**

Apr. 16, 2008 (CH) 134901

(51) **LOC (9) Cl.** **10-02**

(52) **U.S. Cl.** **D10/39**

(58) **Field of Classification Search** D10/30-39,
D10/122-126; 368/276, 281, 282, 285, 80,
368/223, 228, 232

See application file for complete search history.

(56) **References Cited**

U.S. PATENT DOCUMENTS

D278,605 S *	4/1985	Didisheim	D10/39
D283,401 S *	4/1986	Lung	D10/30
4,623,261 A *	11/1986	Muto	368/80
D292,678 S *	11/1987	Takeichi	D10/39
D312,793 S *	12/1990	Fujiwara	D10/39
D317,871 S *	7/1991	Applegate, Jr.	D10/30
D325,535 S *	4/1992	Yamamoto	D10/39
D353,780 S *	12/1994	Schneider	D10/32
D362,633 S *	9/1995	Bertolucci	D10/32
D367,616 S *	3/1996	Dobashi et al.	D10/30
D390,791 S *	2/1998	Kubisch	D10/39
5,724,317 A *	3/1998	Kubota et al.	368/11

D459,241 S *	6/2002	Bodino	D10/32
D462,278 S *	9/2002	Wunderman	D10/32
D471,115 S *	3/2003	Buechner	D10/39
D479,135 S *	9/2003	Emmenegger	D10/30
D490,722 S *	6/2004	Weismann et al.	D10/39
D502,412 S *	3/2005	Monachon	D10/39
D523,357 S *	6/2006	Kummer	D10/38
D534,084 S *	12/2006	Linde	D10/39
D539,669 S *	4/2007	Vaptzarof	D10/31
D539,674 S *	4/2007	Vaptzarof	D10/38
D543,872 S *	6/2007	Garcia	D10/38
D551,993 S *	10/2007	Kachi	D10/38
D568,176 S *	5/2008	Monachon	D10/32
D582,793 S *	12/2008	Lalo	D10/38
D591,180 S *	4/2009	Monachon	D10/39

* cited by examiner

Primary Examiner — Lucy Lieberman

(74) *Attorney, Agent, or Firm* — Sughrue Mion, PLLC

(57) **CLAIM**

The ornamental design for a wristwatch, as shown and described.

DESCRIPTION

FIG. 1 is a perspective view of the front and right side of a wristwatch showing my new design;

FIG. 2 is a front elevational view thereof;

FIG. 3 is a rear elevational view thereof;

FIG. 4 is a right side elevational view thereof;

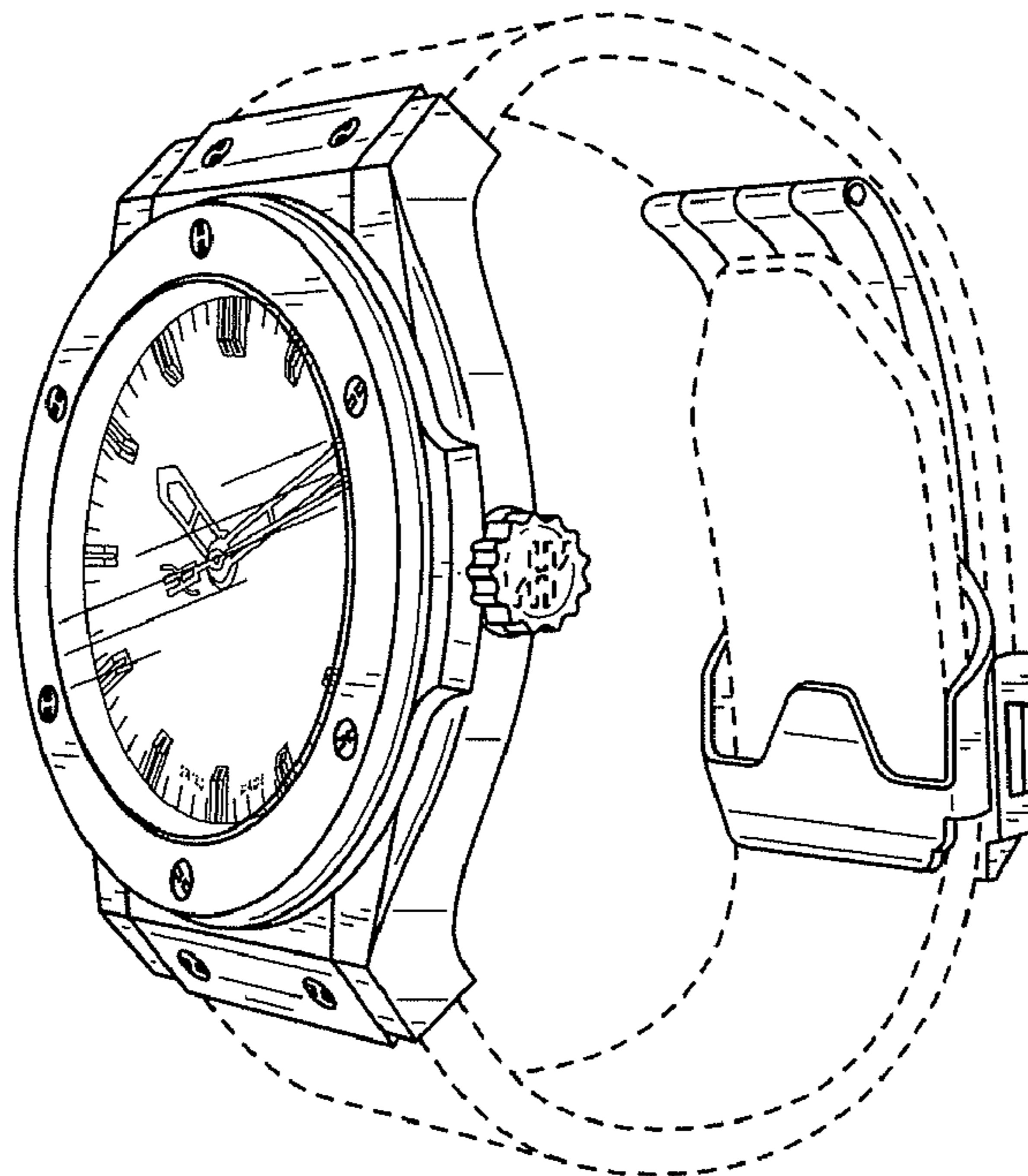
FIG. 5 is a left side elevational view thereof;

FIG. 6 is a top plan view thereof; and,

FIG. 7 is a bottom plan view thereof.

The broken lines in the drawings are used to show portions of the wristwatch that do not form part of the claimed design.

1 Claim, 2 Drawing Sheets



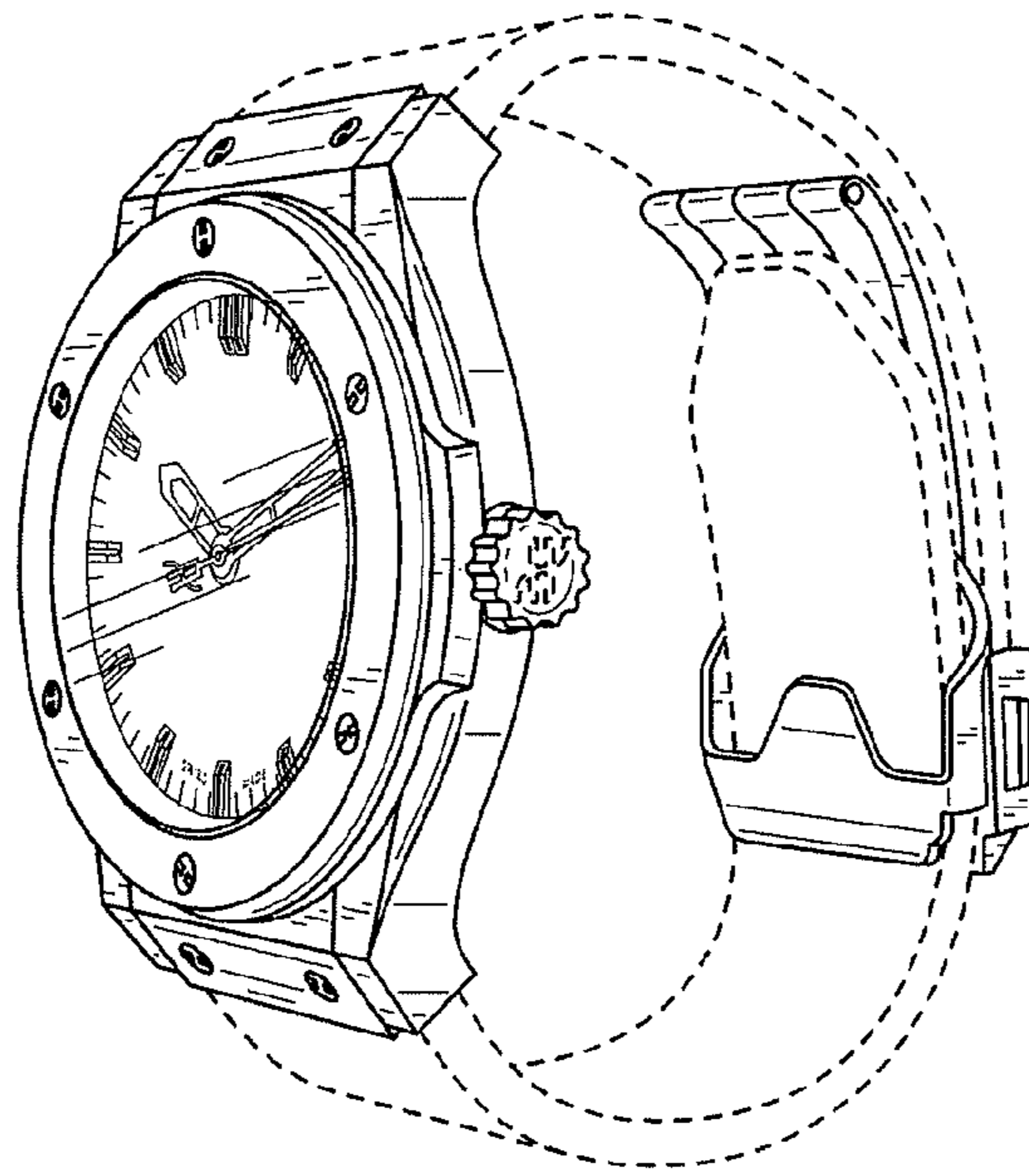


FIG. 1

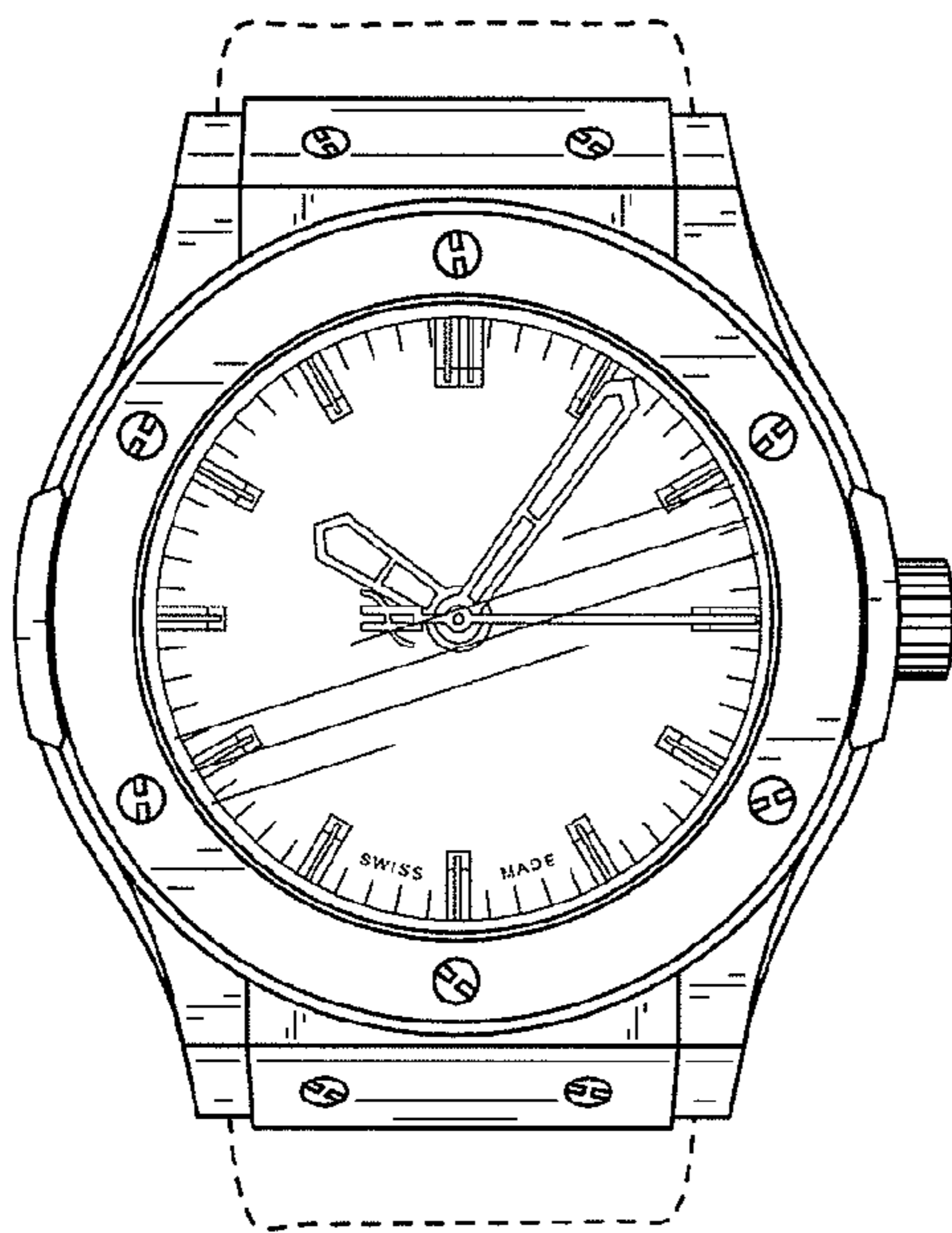


FIG. 2

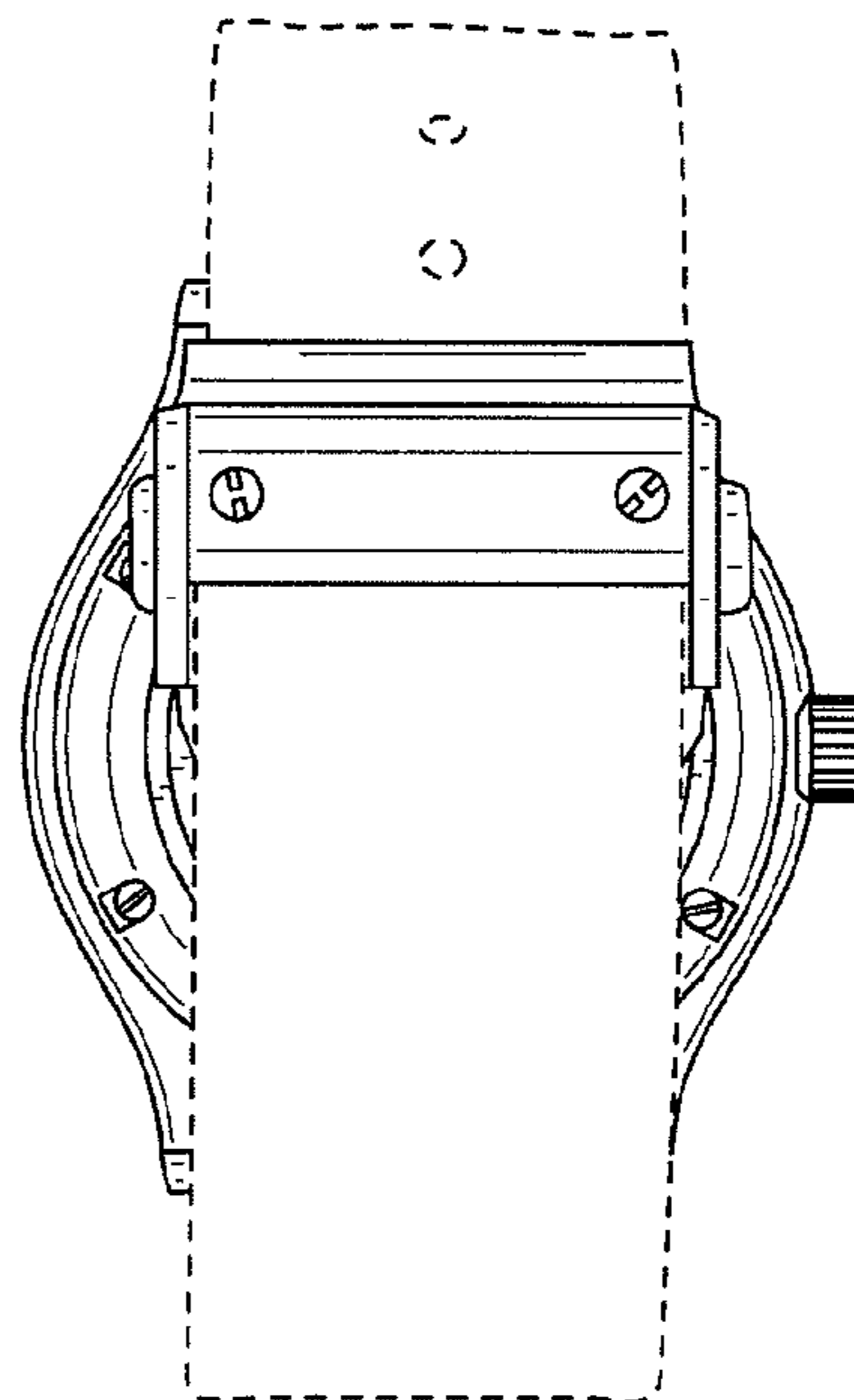


FIG. 3

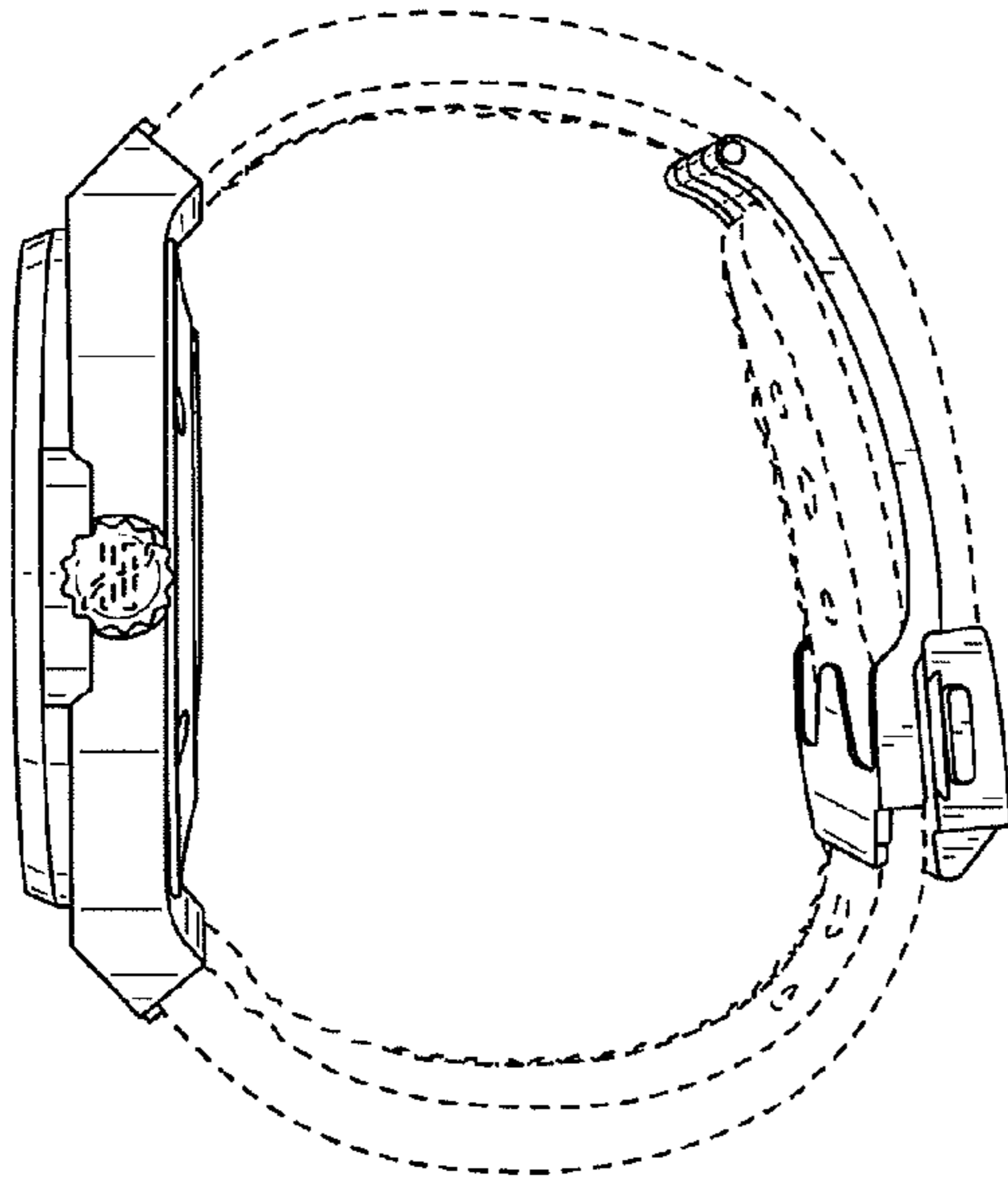


FIG. 4

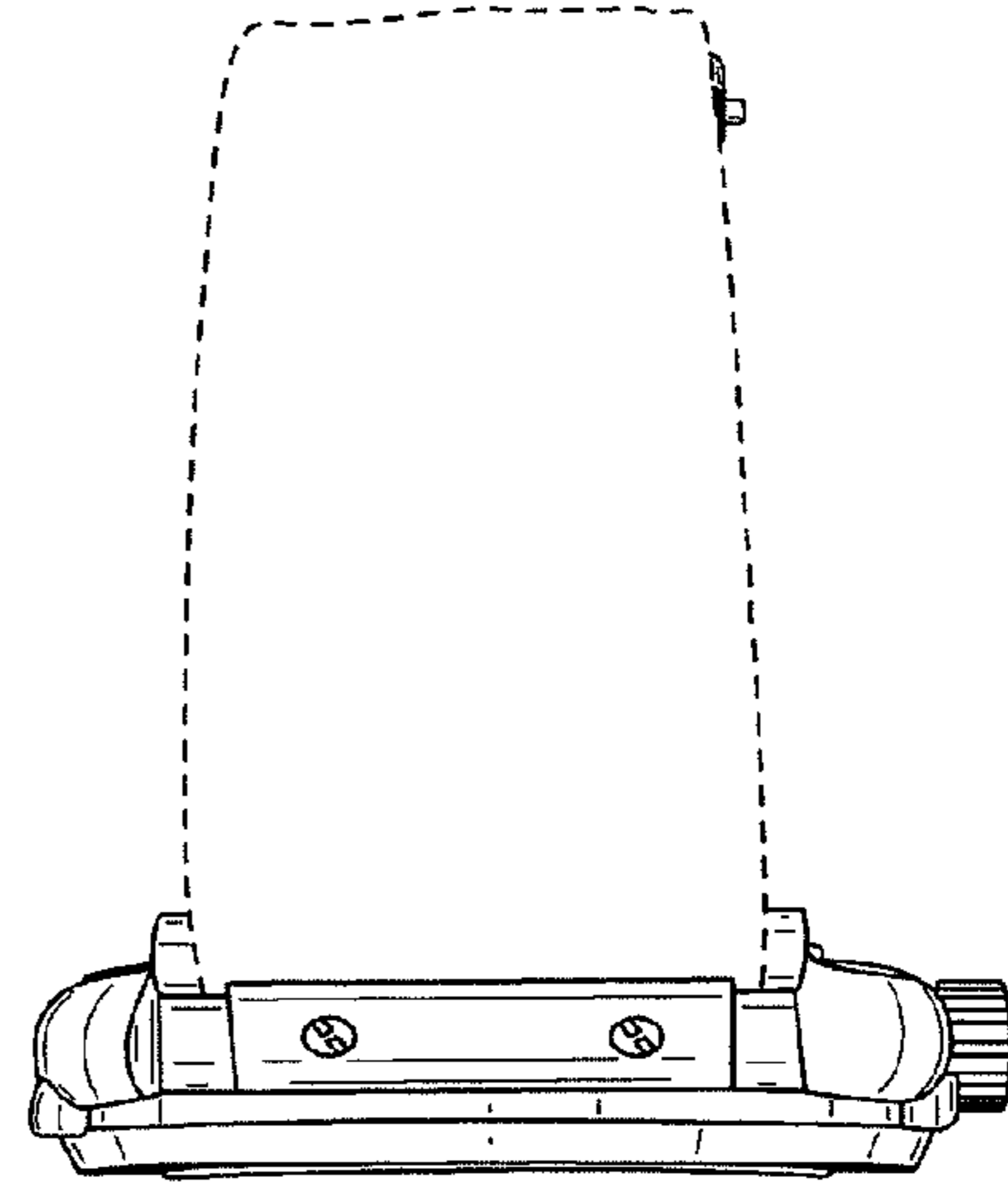


FIG. 6

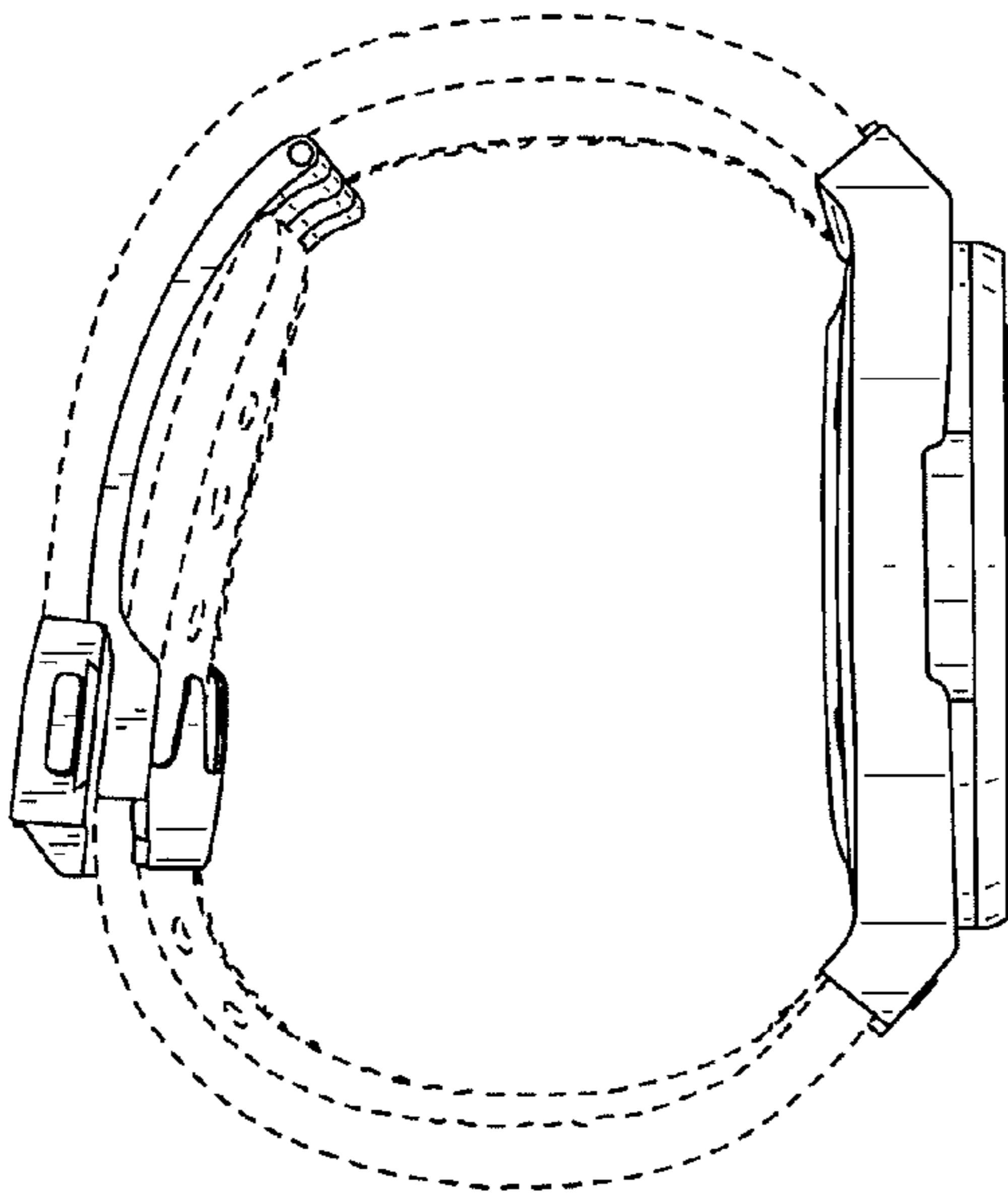


FIG. 5

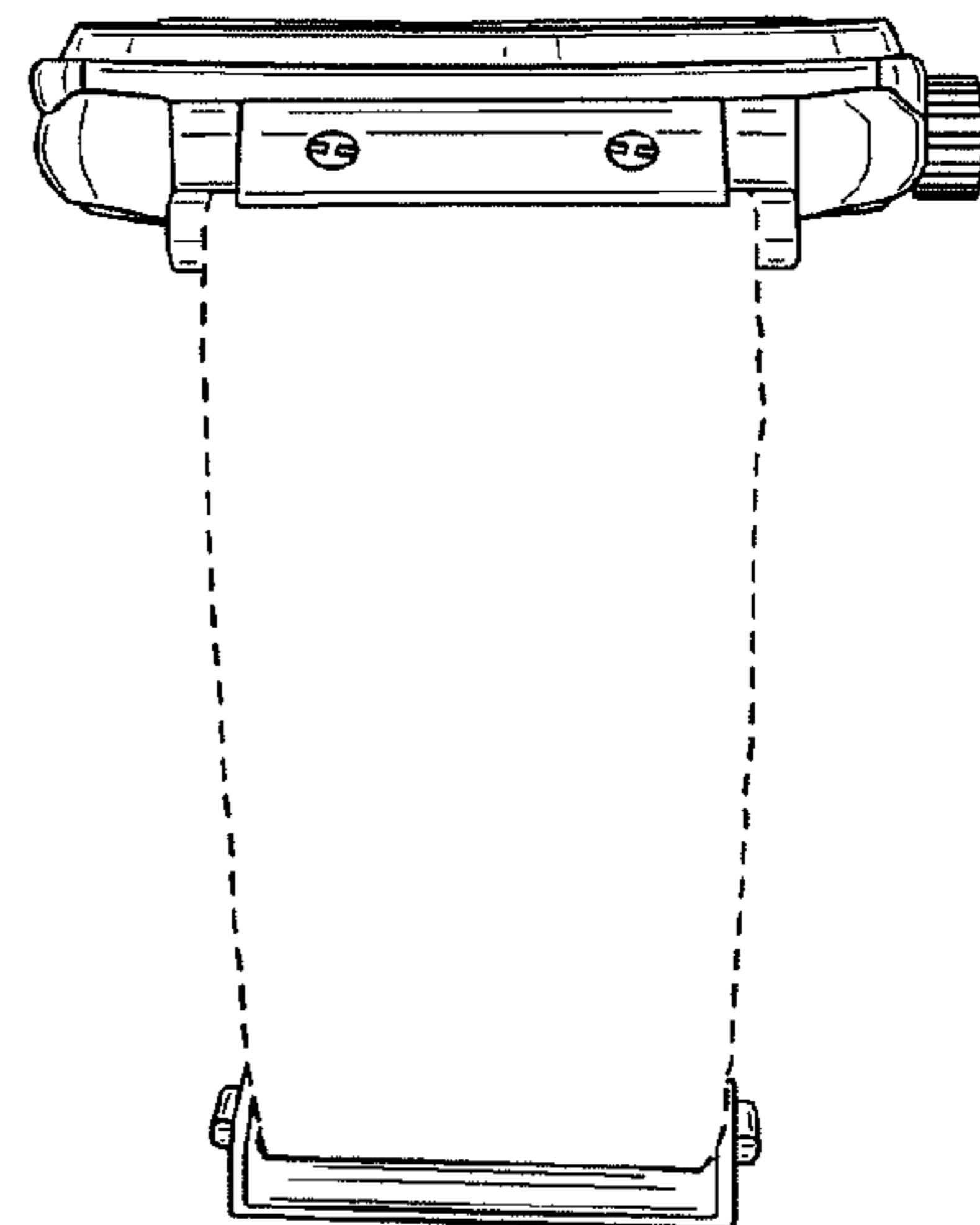


FIG. 7