



US00D642073S

(12) **United States Design Patent**
Chen

(10) **Patent No.:** **US D642,073 S**

(45) **Date of Patent:** **** Jul. 26, 2011**

(54) **GPS NAVIGATION**

(75) Inventor: **Chih-Chung Chen**, Taipei (TW)

(73) Assignee: **Cheng Uei Precision Industry Co., Ltd.**, New Taipei (TW)

(**) Term: **14 Years**

(21) Appl. No.: **29/381,557**

(22) Filed: **Dec. 20, 2010**

(51) **LOC (9) Cl.** **10-05**

(52) **U.S. Cl.** **D10/10**

(58) **Field of Classification Search** D10/65;
D14/315, 336, 337, 341, 342, 343; 342/386,
342/351, 419, 457, 357.2-357.78, 450, 458;
343/702; 345/87, 104, 133, 156, 168, 173,
345/901-905; 348/180, 184, 315, 739; 364/444,
364/499; 701/206-209, 213, 214

See application file for complete search history.

(56) **References Cited**

U.S. PATENT DOCUMENTS

D561,619	S	*	2/2008	Miyawaki	D10/65
D563,804	S	*	3/2008	Kimura et al.	D10/65
D608,228	S	*	1/2010	Miyawaki	D10/65

* cited by examiner

Primary Examiner — Antoine Duval Davis

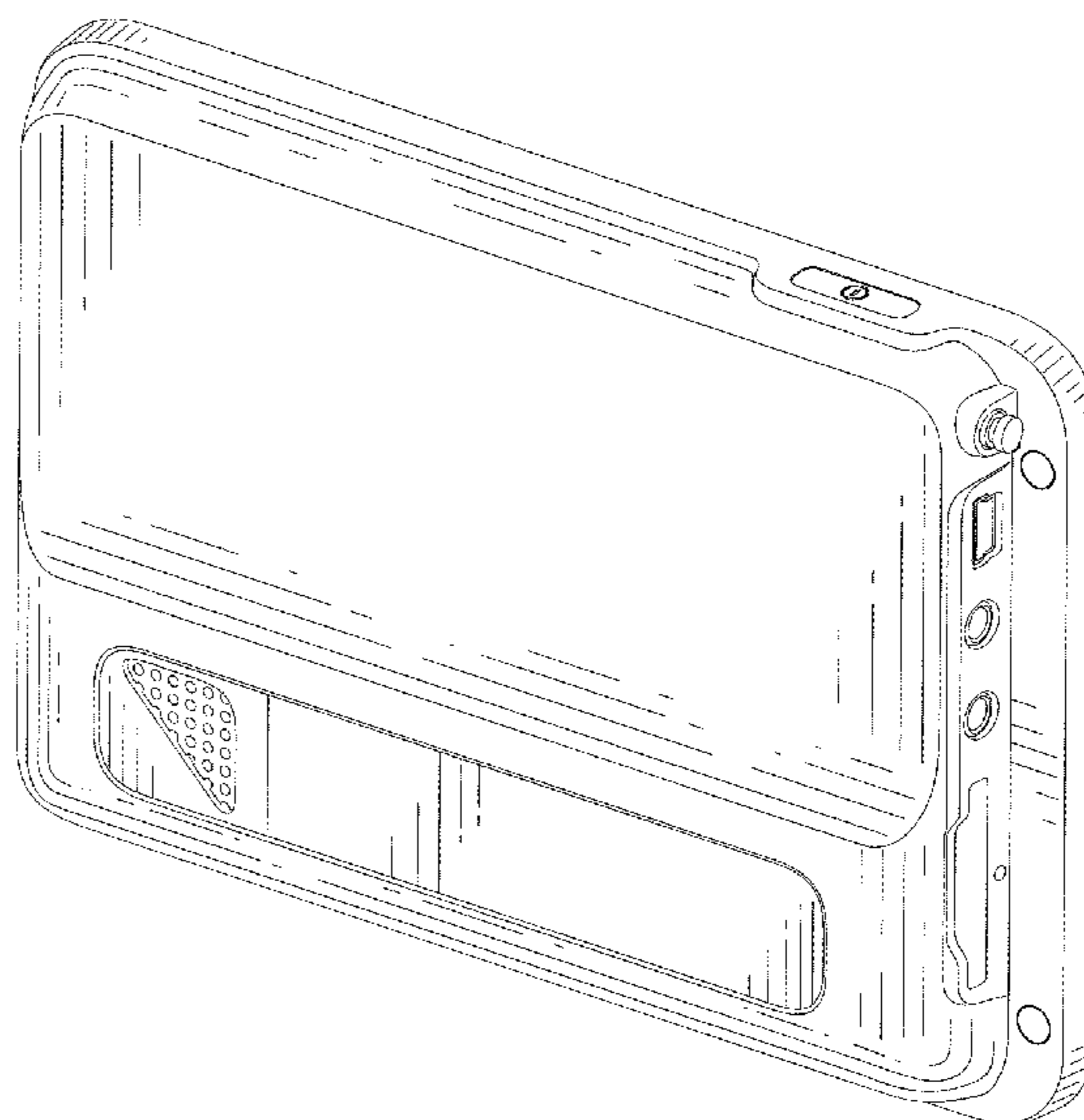
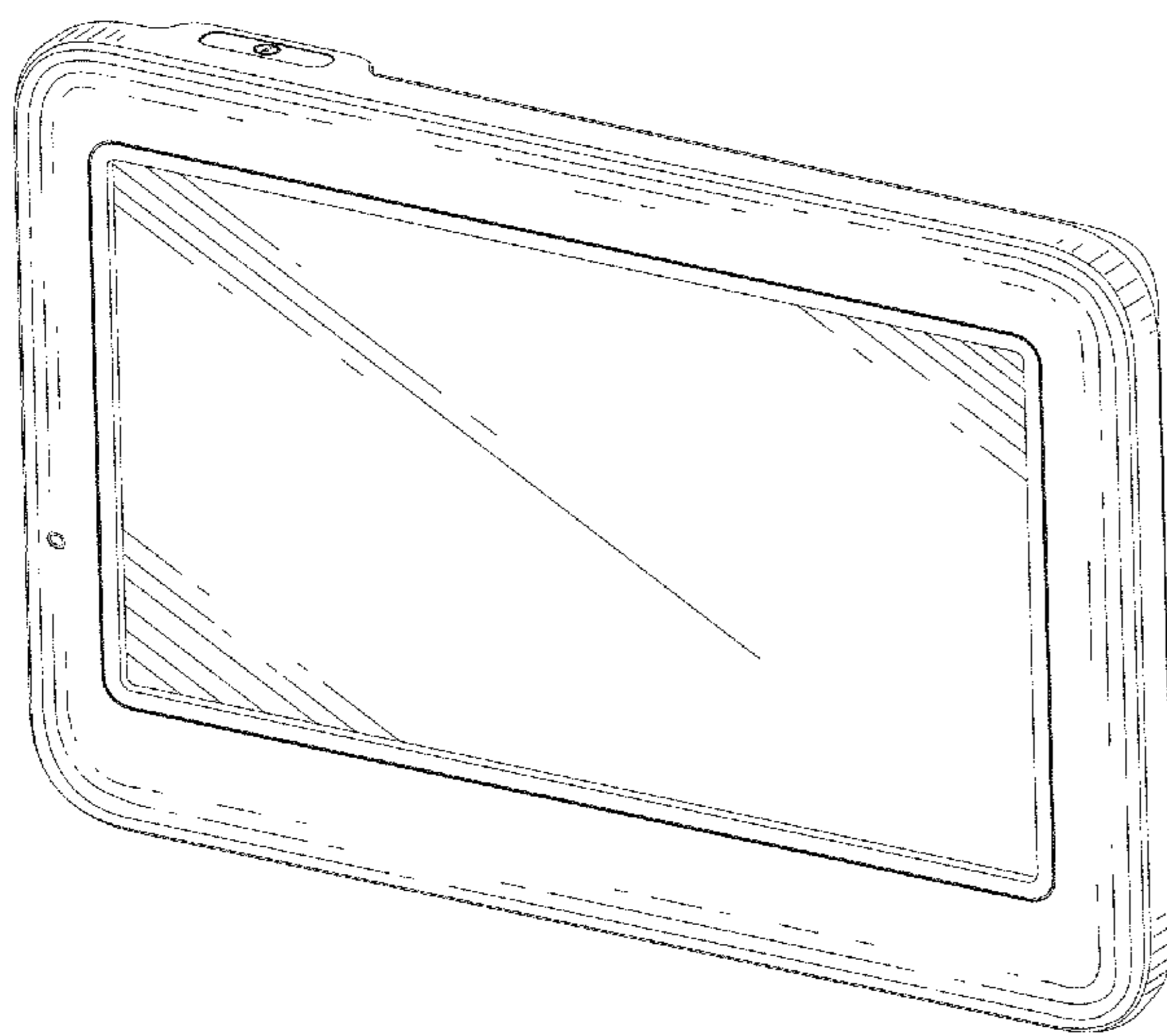
(57) **CLAIM**

The ornamental design for a GPS navigation, as shown and described.

DESCRIPTION

FIG. 1 is a perspective view of a GPS navigation showing my new design;
FIG. 2 is a front elevational view thereof;
FIG. 3 is a rear elevational view thereof;
FIG. 4 is a left side elevational view thereof;
FIG. 5 is a right side elevational view thereof;
FIG. 6 is a top plan view thereof;
FIG. 7 is a bottom plan view thereof; and,
FIG. 8 is another perspective view of the GPS navigation showing my new design.

1 Claim, 8 Drawing Sheets



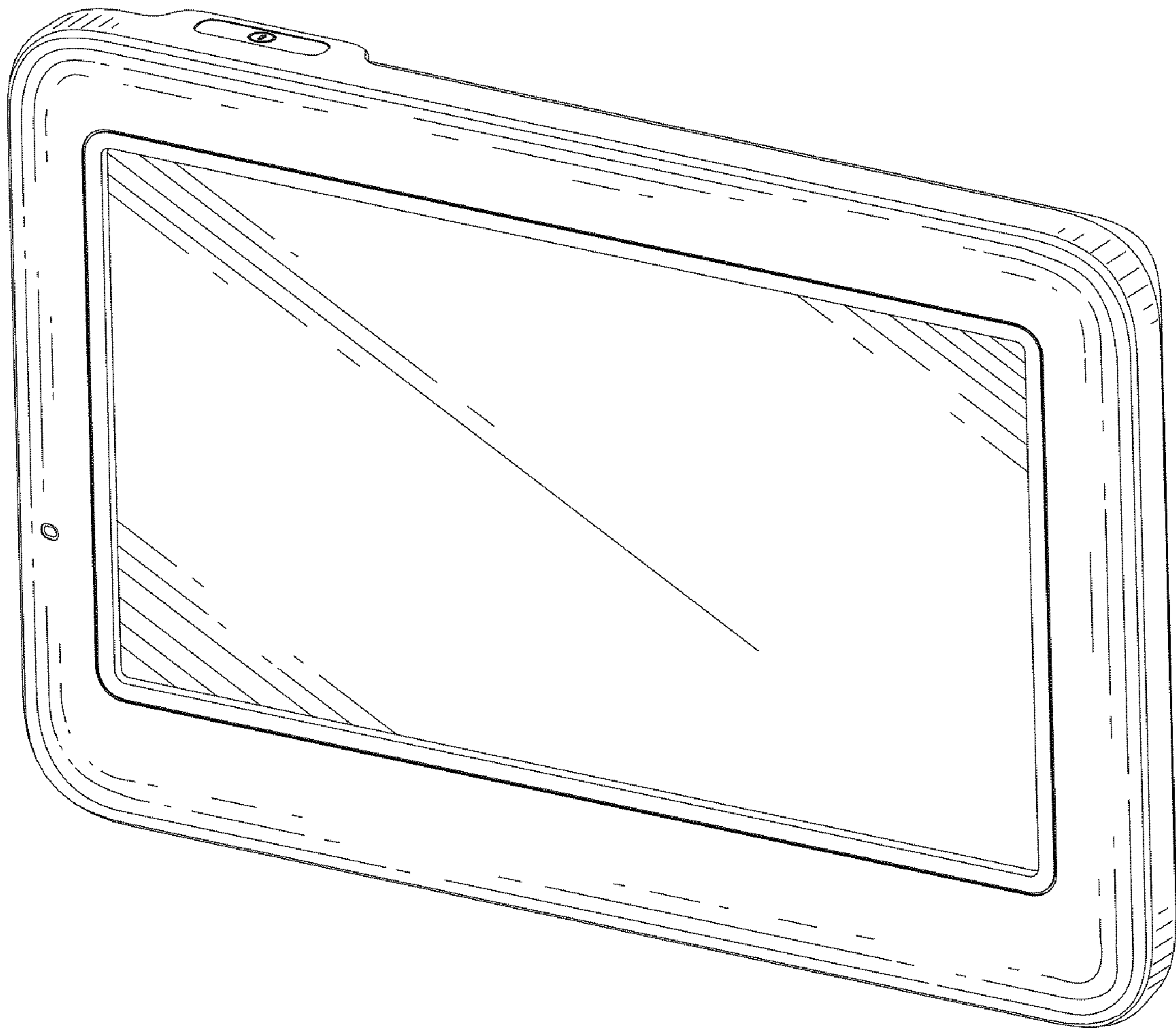


FIG. 1

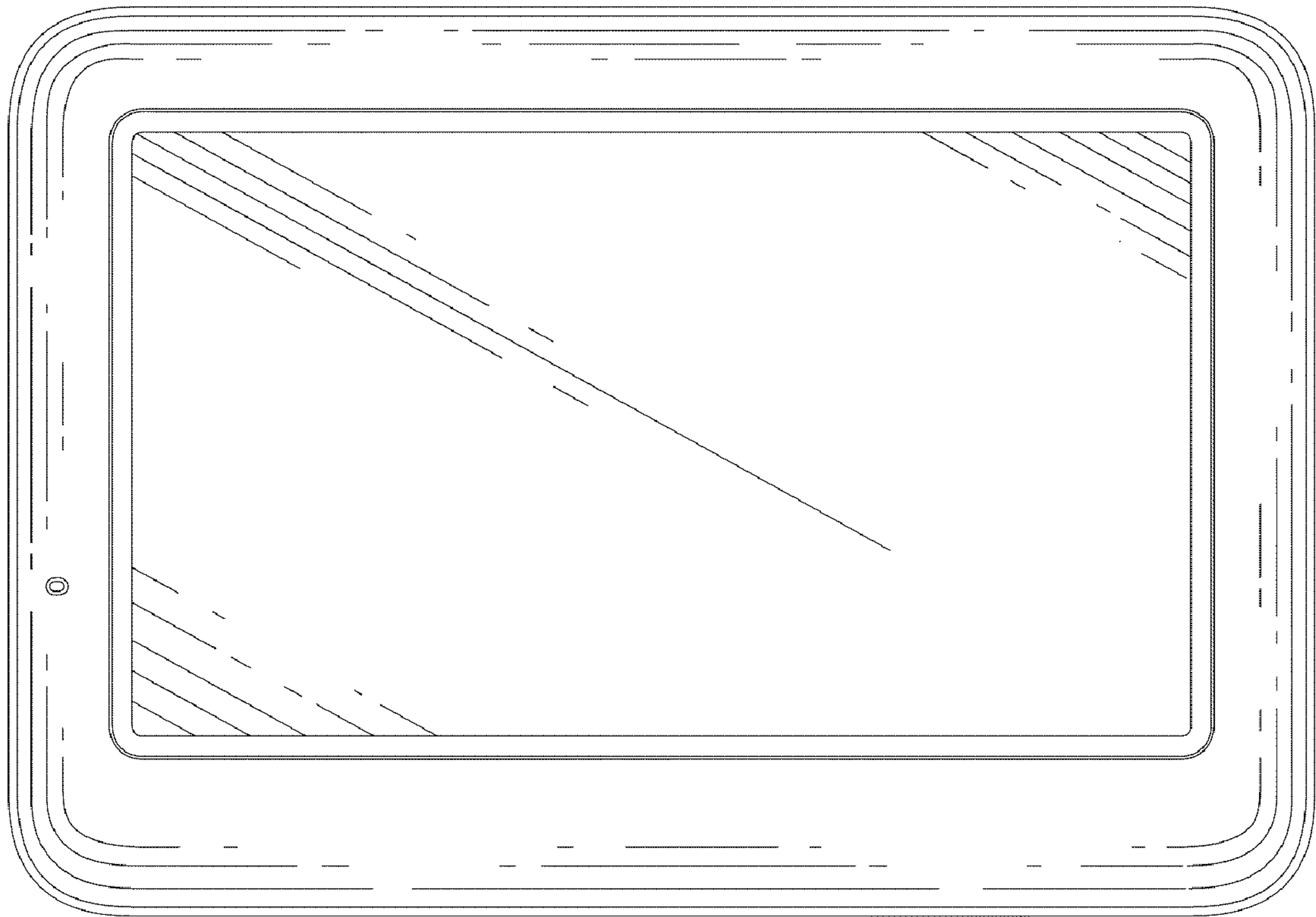


FIG. 2

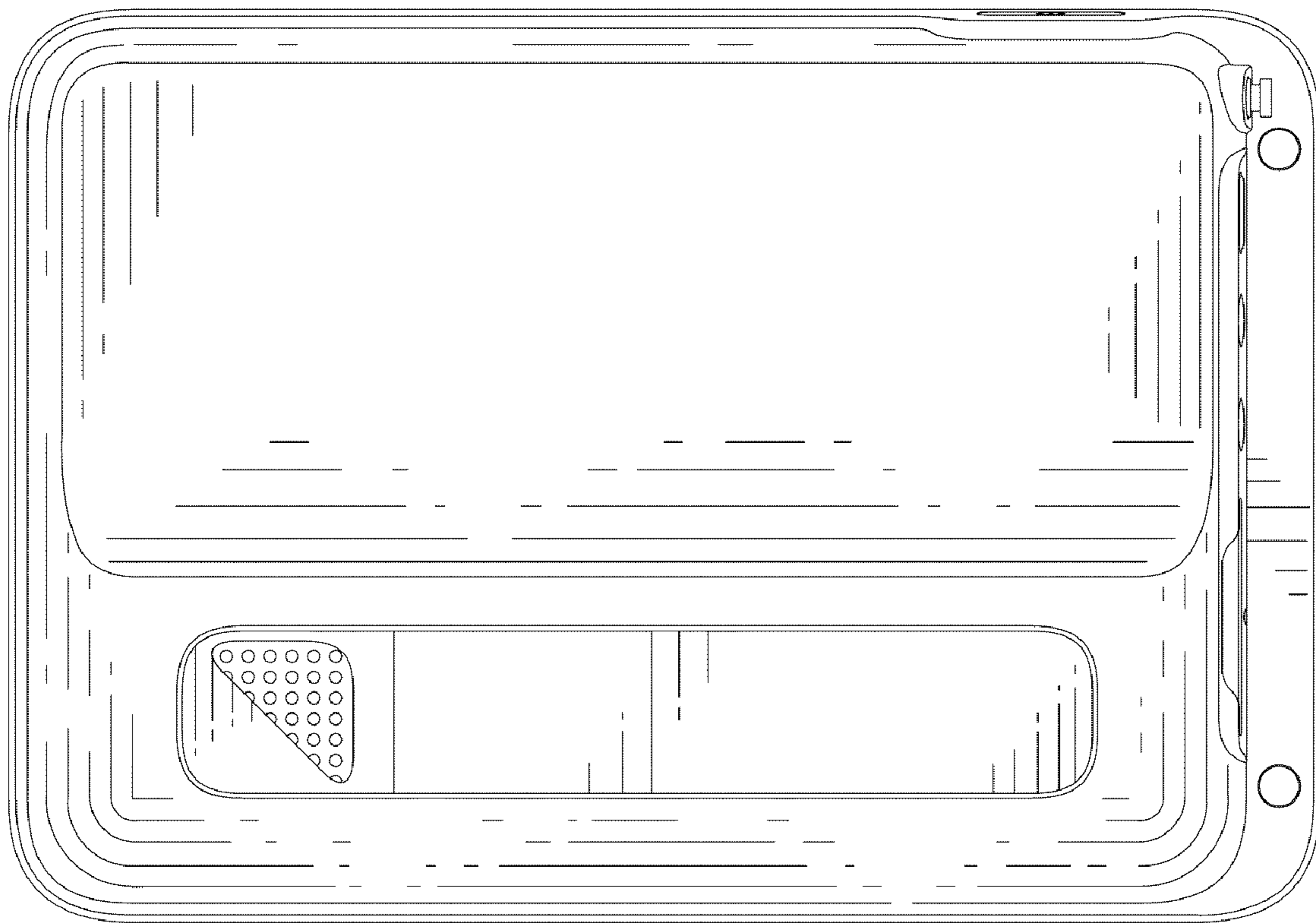


FIG. 3

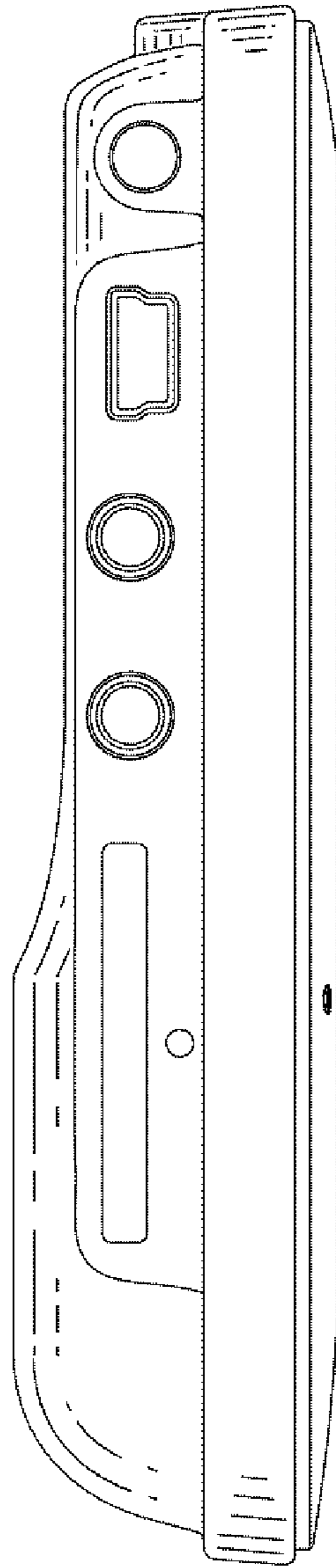


FIG. 4

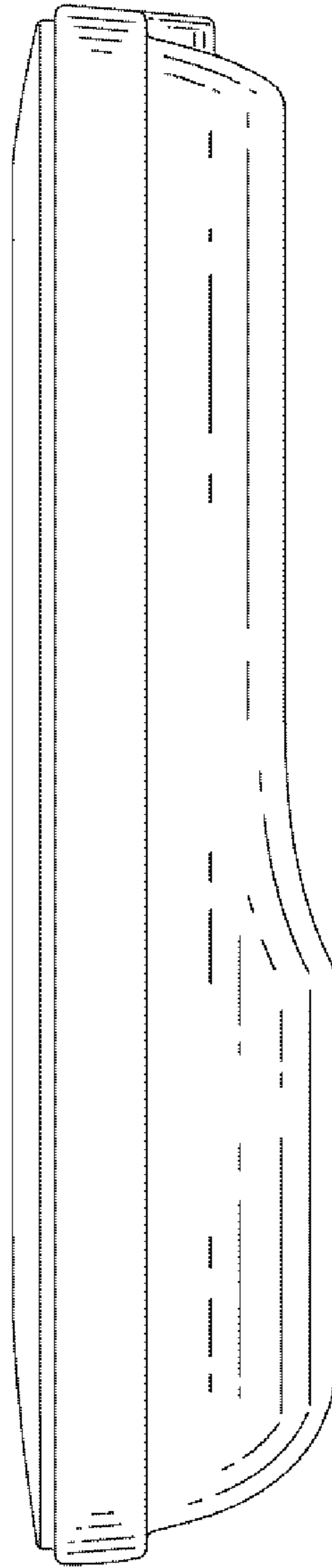


FIG. 5

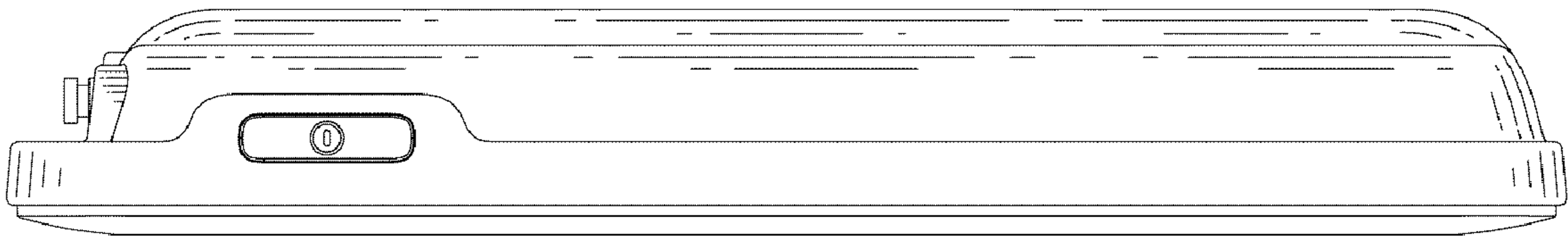


FIG. 6

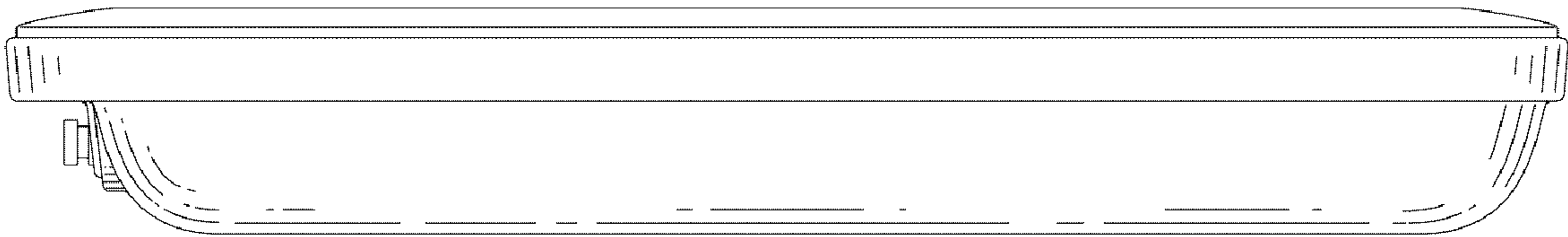


FIG. 7

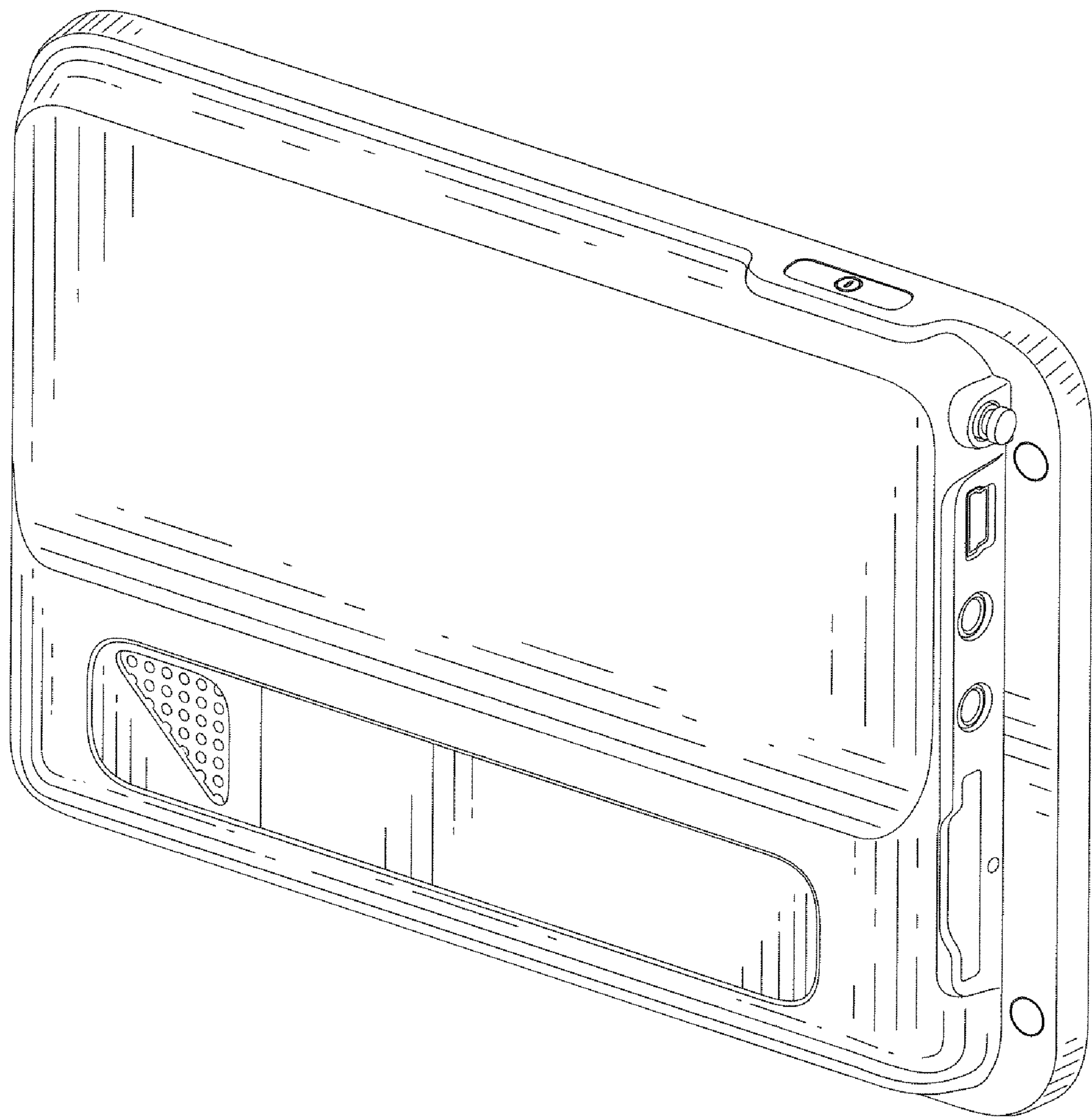


FIG. 8