

US00D642071S

(12) **United States Design Patent**
Young

(10) **Patent No.:** **US D642,071 S**

(45) **Date of Patent:** **** Jul. 26, 2011**

(54) **FOOTBALL HELMET CLOCK**

(76) Inventor: **William H. Young**, Downingtown, PA
(US)

(**) Term: **14 Years**

(21) Appl. No.: **29/354,286**

(22) Filed: **Jan. 21, 2010**

(51) **LOC (9) Cl.** **10-01**

(52) **U.S. Cl.** **D10/6**

(58) **Field of Classification Search** D10/1-29,
D10/33; D29/102, 106, 107; 368/316, 317,
368/285

See application file for complete search history.

(56) **References Cited**

U.S. PATENT DOCUMENTS

3,263,236	A *	8/1966	Humphrey	2/9
D237,593	S *	11/1975	Tibbs	D10/6
D238,857	S *	2/1976	Viotte	D10/6
D308,637	S *	6/1990	Howe	D10/6
D334,539	S *	4/1993	Der Garabedian	D10/6
5,287,562	A *	2/1994	Rush, III	2/413
D350,290	S *	9/1994	Hersch	D10/33
D408,236	S *	4/1999	Rennick	D8/38
D420,670	S *	2/2000	Hernandez et al.	D14/232
D426,545	S *	6/2000	Smith et al.	D14/371
D461,152	S *	8/2002	Schmitt	D12/197

6,438,762	B1 *	8/2002	Jenkins	2/411
6,499,147	B2 *	12/2002	Schiebl et al.	2/425
D518,738	S *	4/2006	Dreggors	D10/6
7,036,151	B2 *	5/2006	Ide et al.	2/9
D528,705	S *	9/2006	Ide et al.	D29/122
D546,998	S *	7/2007	Nunes	D26/73
D596,670	S *	7/2009	Baker	D19/82
D598,610	S *	8/2009	Soukup et al.	D29/106
D610,523	S *	2/2010	Villarreal	D12/413
D612,661	S *	3/2010	Kauer	D7/325

* cited by examiner

Primary Examiner — Lucy Lieberman

(74) *Attorney, Agent, or Firm* — Andrew L. Salvatore, Esquire

(57) **CLAIM**

The ornamental design for a football helmet clock, substantially as shown and described.

DESCRIPTION

FIG. 1 shows a front perspective view of my design for a football helmet clock;

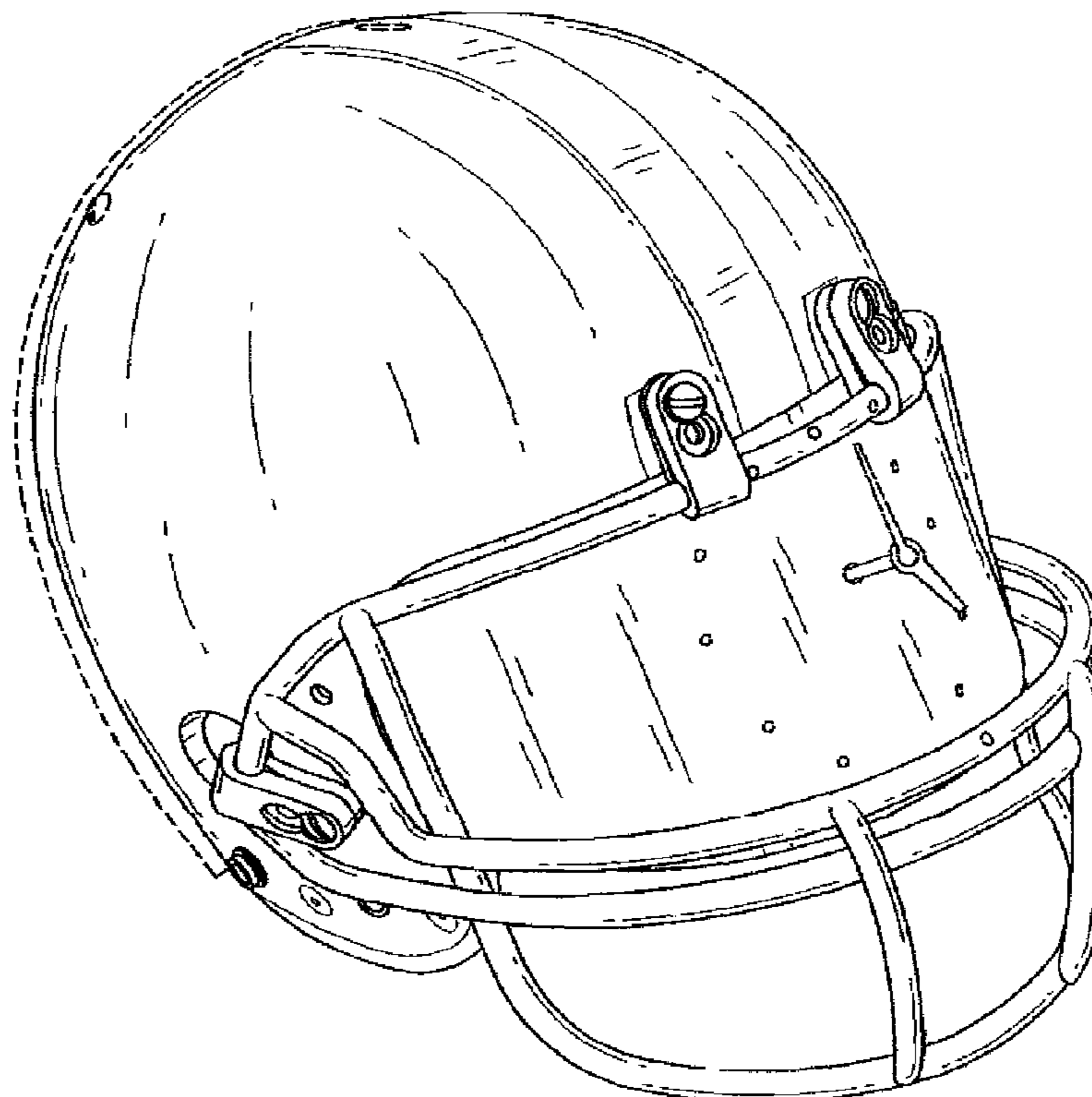
FIG. 2 shows a front elevational view of my design for a football helmet clock.

FIG. 3 shows a side elevational view of my design for a football helmet clock; and,

FIG. 4 shows a top plan view of my design for a football helmet clock.

The broken lines in the drawings are for illustrative purposes only and do not form part of the claimed design.

1 Claim, 4 Drawing Sheets



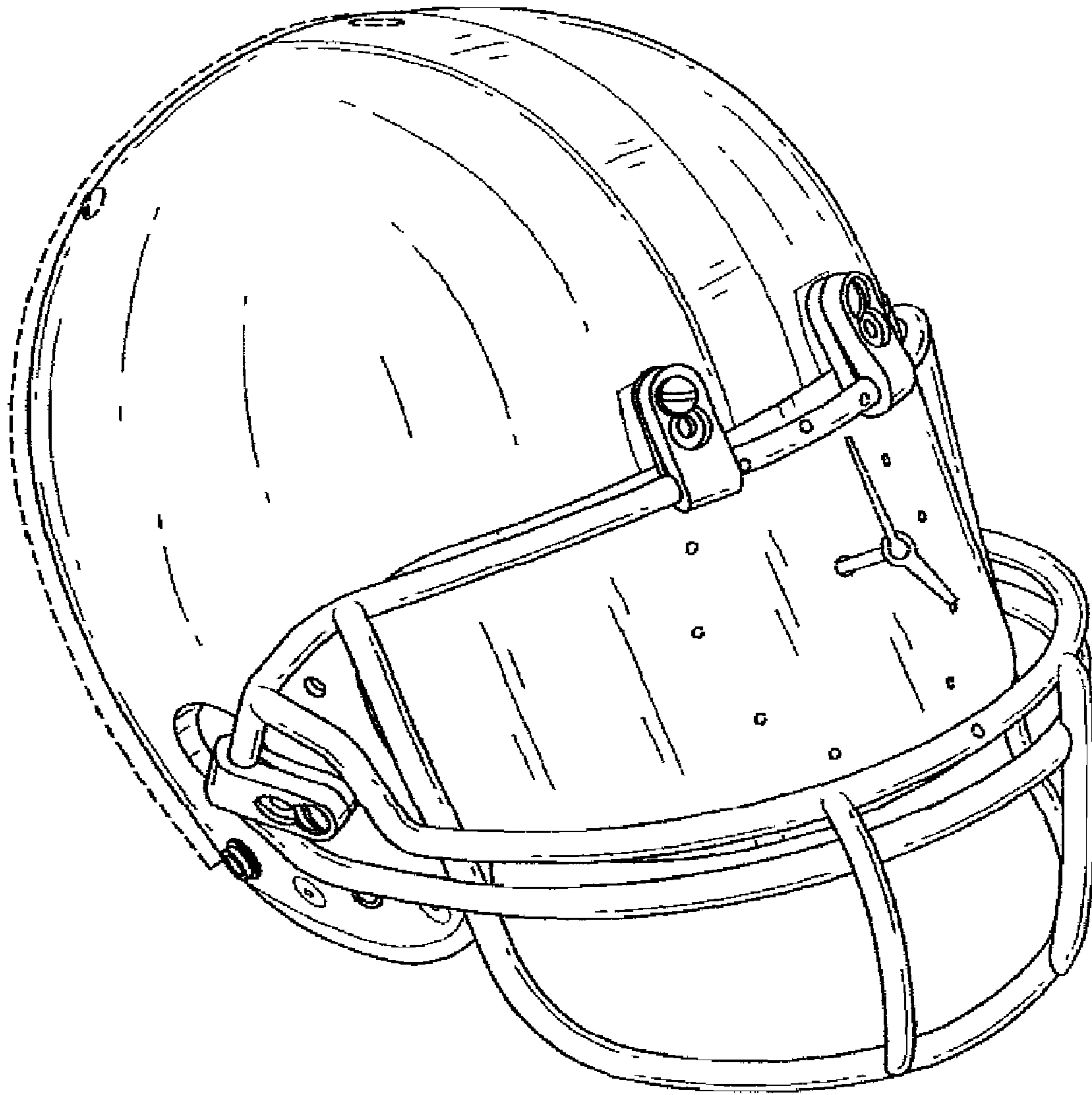


Fig. 1

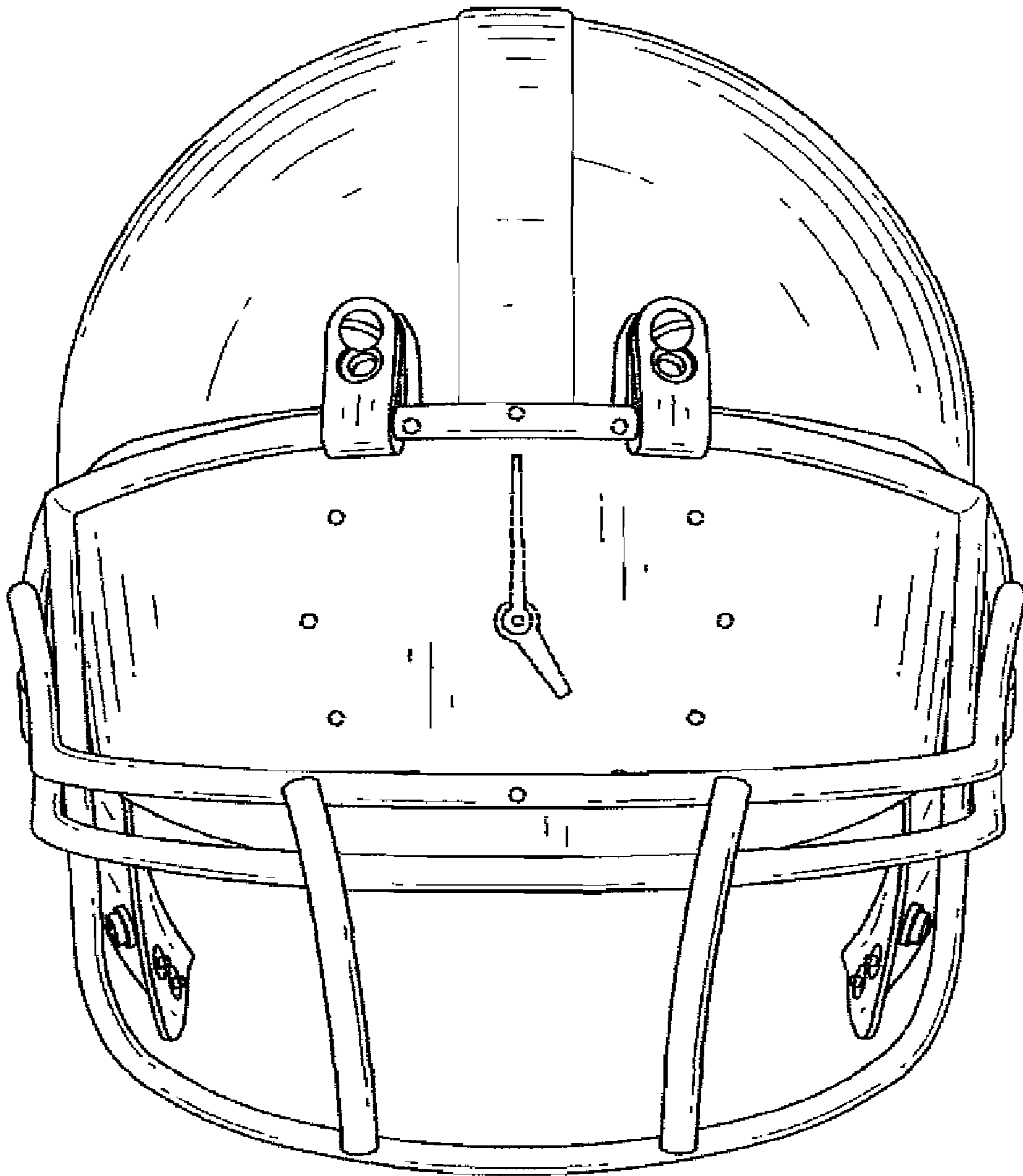


Fig. 2

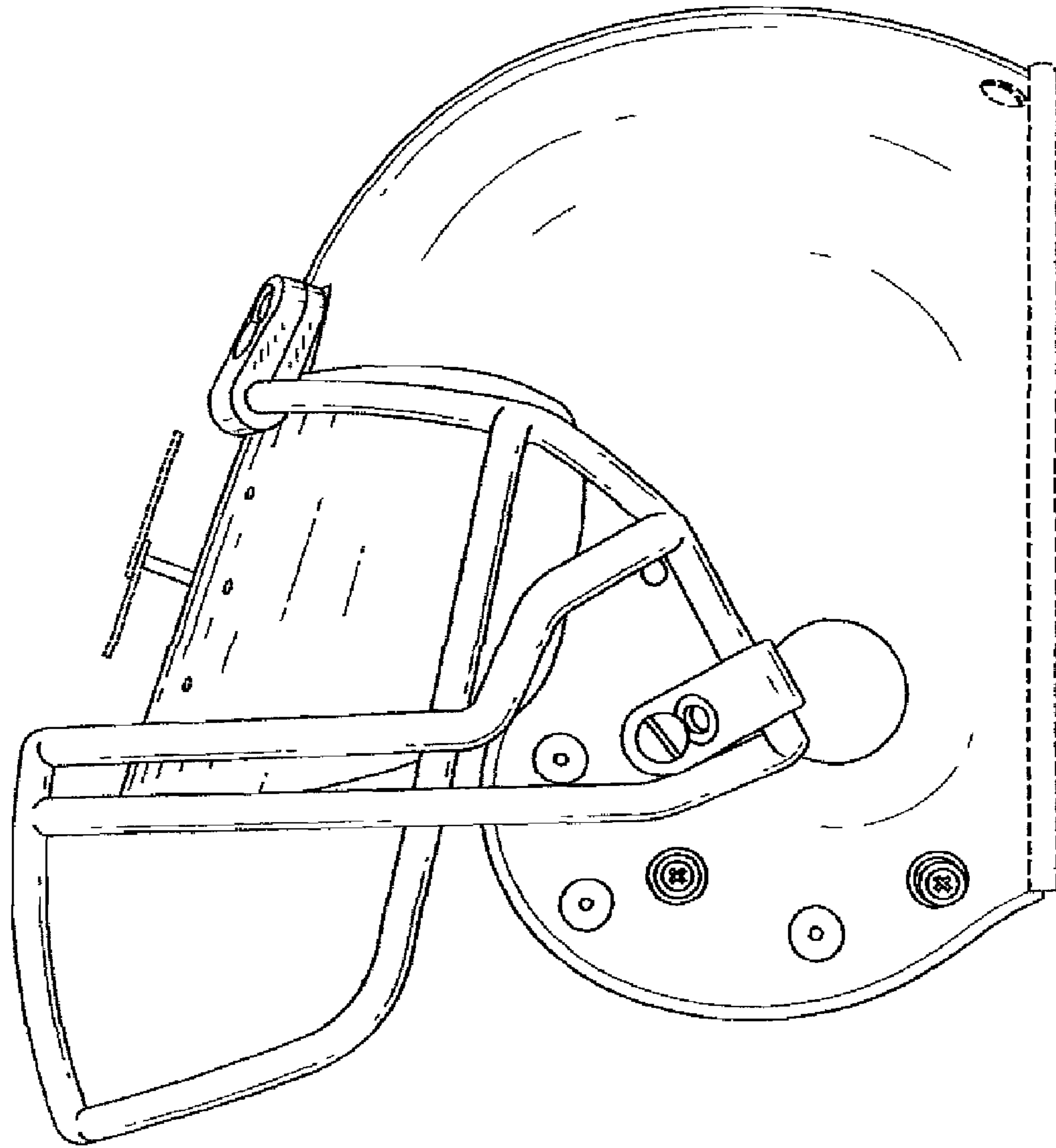


Fig. 3

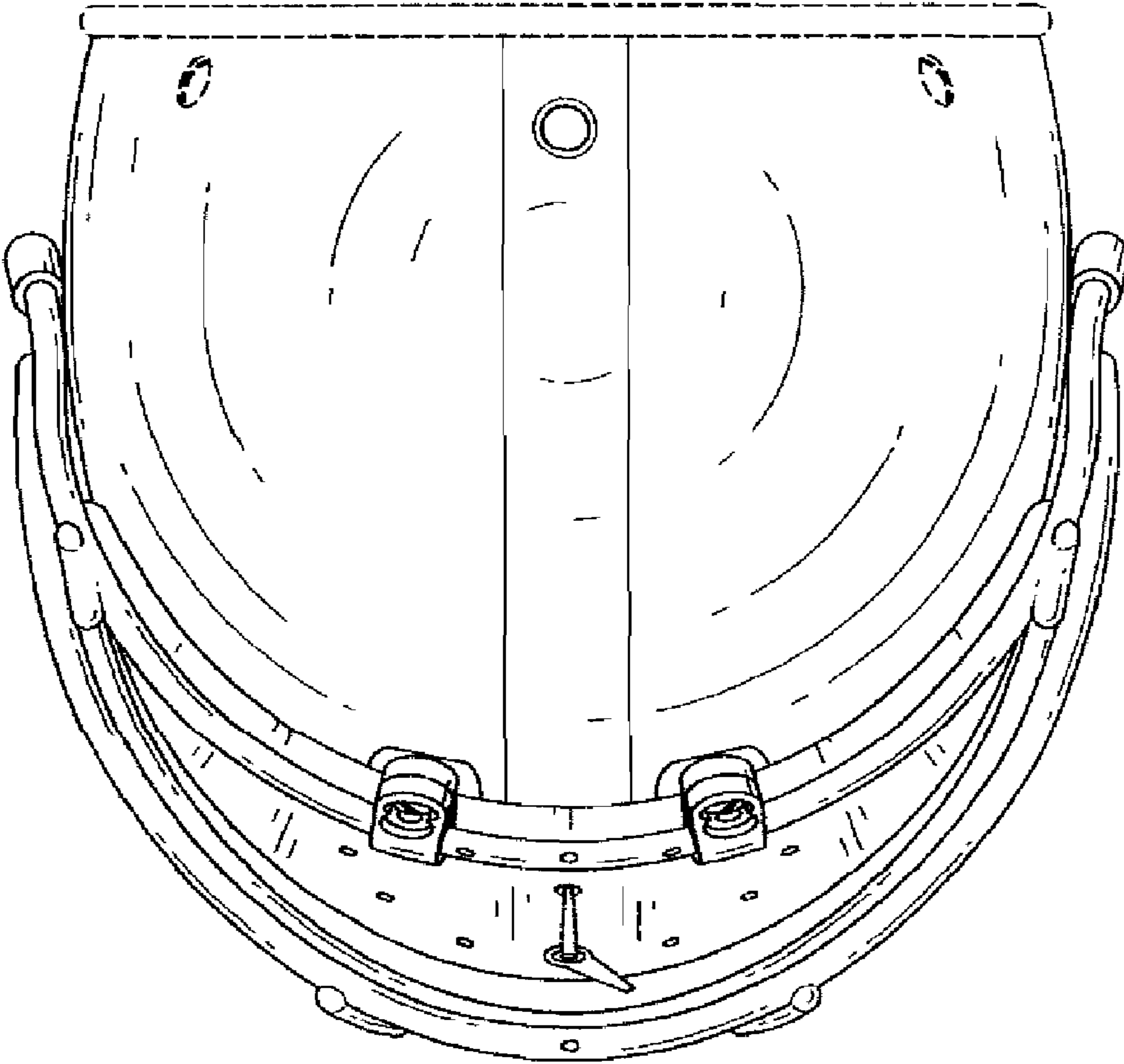


Fig. 4