



US00D642062S

(12) **United States Design Patent**
Adams

(10) **Patent No.:** **US D642,062 S**

(45) **Date of Patent:** **** Jul. 26, 2011**

(54) **INTERLOCKING CONTAINER**

(76) Inventor: **Wendell Adams**, Orlando, FL (US)

(**) Term: **14 Years**

(21) Appl. No.: **29/319,356**

(22) Filed: **Jun. 6, 2008**

(51) **LOC (9) Cl.** **09-01**

(52) **U.S. Cl.** **D9/526; D9/564; D9/566**

(58) **Field of Classification Search** D9/682,
D9/684, 685, 693, 737, 738, 739, 743, 745,
D9/746, 747, 516, 520, 523, 524, 526, 564,
D9/566, 569, 575; 215/6, 379, 381-385,
215/390, 395, 396; 220/475, 500, 528, 532,
220/533, 535, 600, 604, 623, 660, 669-675

See application file for complete search history.

(56) **References Cited**

U.S. PATENT DOCUMENTS

3,039,656	A *	6/1962	Wentz	222/173
3,119,543	A *	1/1964	Walker	229/117.3
3,233,817	A *	2/1966	Casady	229/117.3
3,298,575	A *	1/1967	Larsen	222/399
3,349,965	A *	10/1967	Kruger	222/80
D211,928	S *	8/1968	Burnett	D9/523
D212,212	S *	9/1968	Tompkins	D9/526
4,765,512	A *	8/1988	Bull, Jr.	222/100
D304,296	S *	10/1989	Wilson et al.	D9/526
D316,965	S *	5/1991	Arvidson et al.	D9/520
D330,483	S *	10/1992	Plester et al.	D7/398
D349,046	S *	7/1994	Brown	D9/636
D358,660	S *	5/1995	Swift	D24/224
D368,275	S *	3/1996	Sakurai et al.	D18/56
D376,208	S *	12/1996	Rasmussen et al.	D24/224
D382,061	S *	8/1997	Mathis et al.	D24/224

D383,981	S *	9/1997	Macauley et al.	D9/520
D417,233	S *	11/1999	Sabonis	D18/56
D425,554	S *	5/2000	Gasvoda et al.	D18/56
D451,394	S *	12/2001	Studer	D9/521
6,929,160	B2 *	8/2005	Elstone et al.	222/526
D539,653	S *	4/2007	James et al.	D9/526
D540,686	S *	4/2007	James et al.	D9/526
D604,799	S *	11/2009	Sand et al.	D23/207

* cited by examiner

Primary Examiner — Stella Reid

Assistant Examiner — Elizabeth J Oswecki

(74) *Attorney, Agent, or Firm* — McHale & Slavin, P.A.

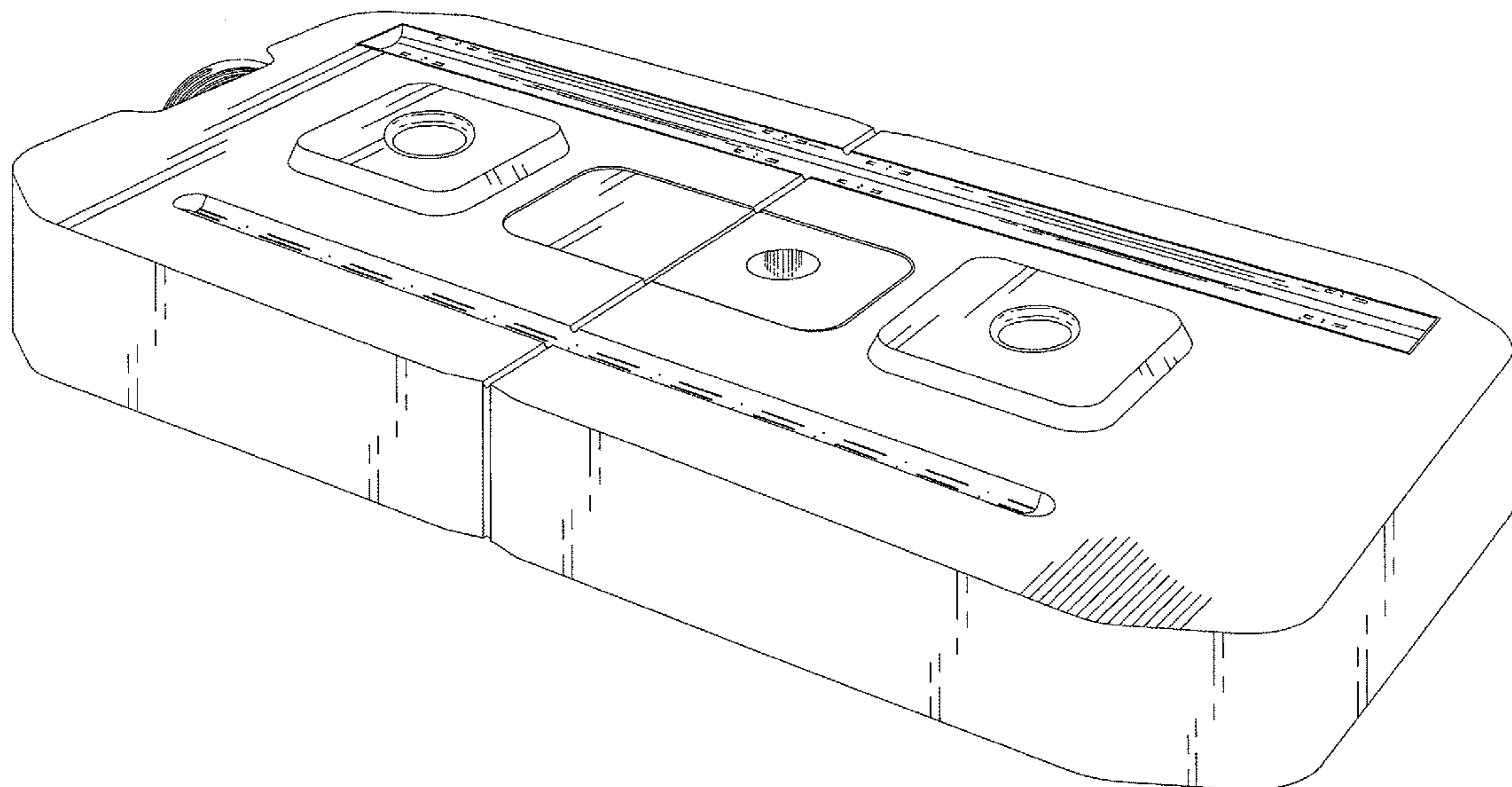
(57) **CLAIM**

The ornamental design for an interlocking container, as shown and described.

DESCRIPTION

FIG. 1 is a top perspective view of an interlocking container showing my new design;
 FIG. 2 is a top view thereof;
 FIG. 3 is a bottom view thereof;
 FIG. 4 is a front view, the rear view being a mirror image thereof;
 FIG. 5 is a left side view thereof;
 FIG. 6 is a right side view thereof;
 FIG. 7 is a top perspective view of an interlocking container shown in a used condition with a second interlocking container and a rod member shown in broken lines; and,
 FIG. 8 is a top perspective view of an interlocking container with a locking rod shown in broken lines in a storage position. The portions of the drawings shown in broken lines are for illustrative purposes only and form no part of the claimed design.

1 Claim, 7 Drawing Sheets



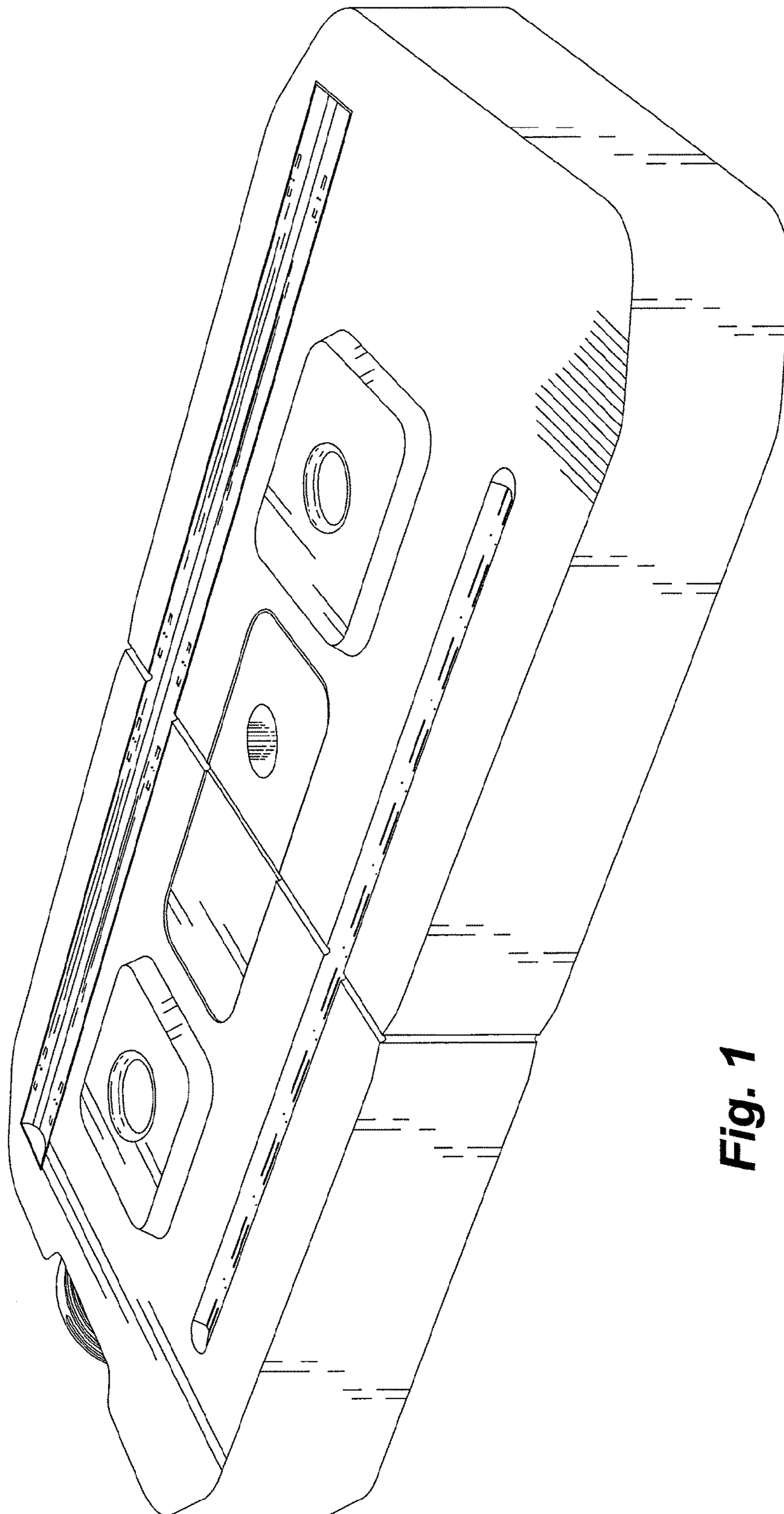


Fig. 1

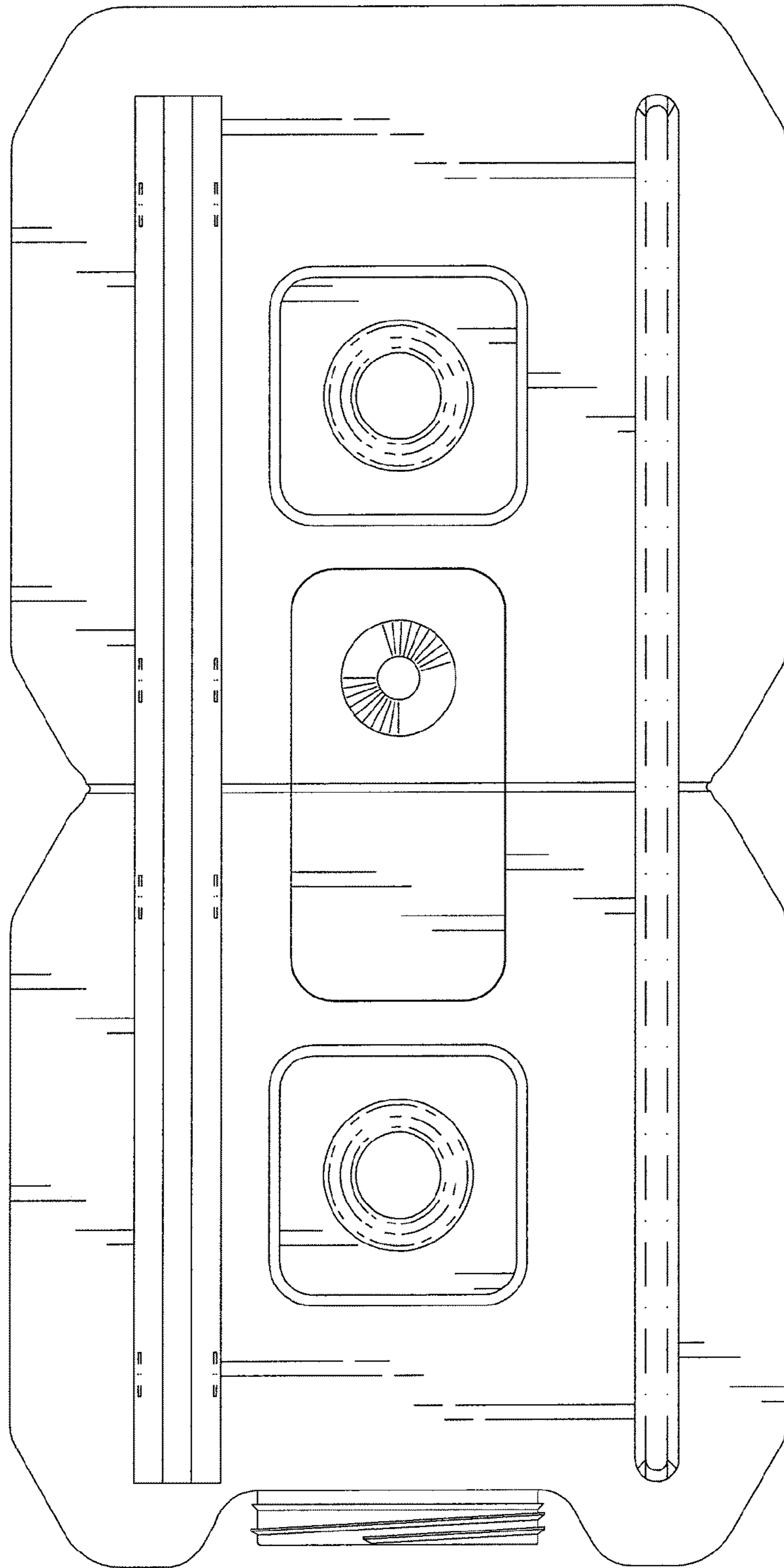


Fig. 2

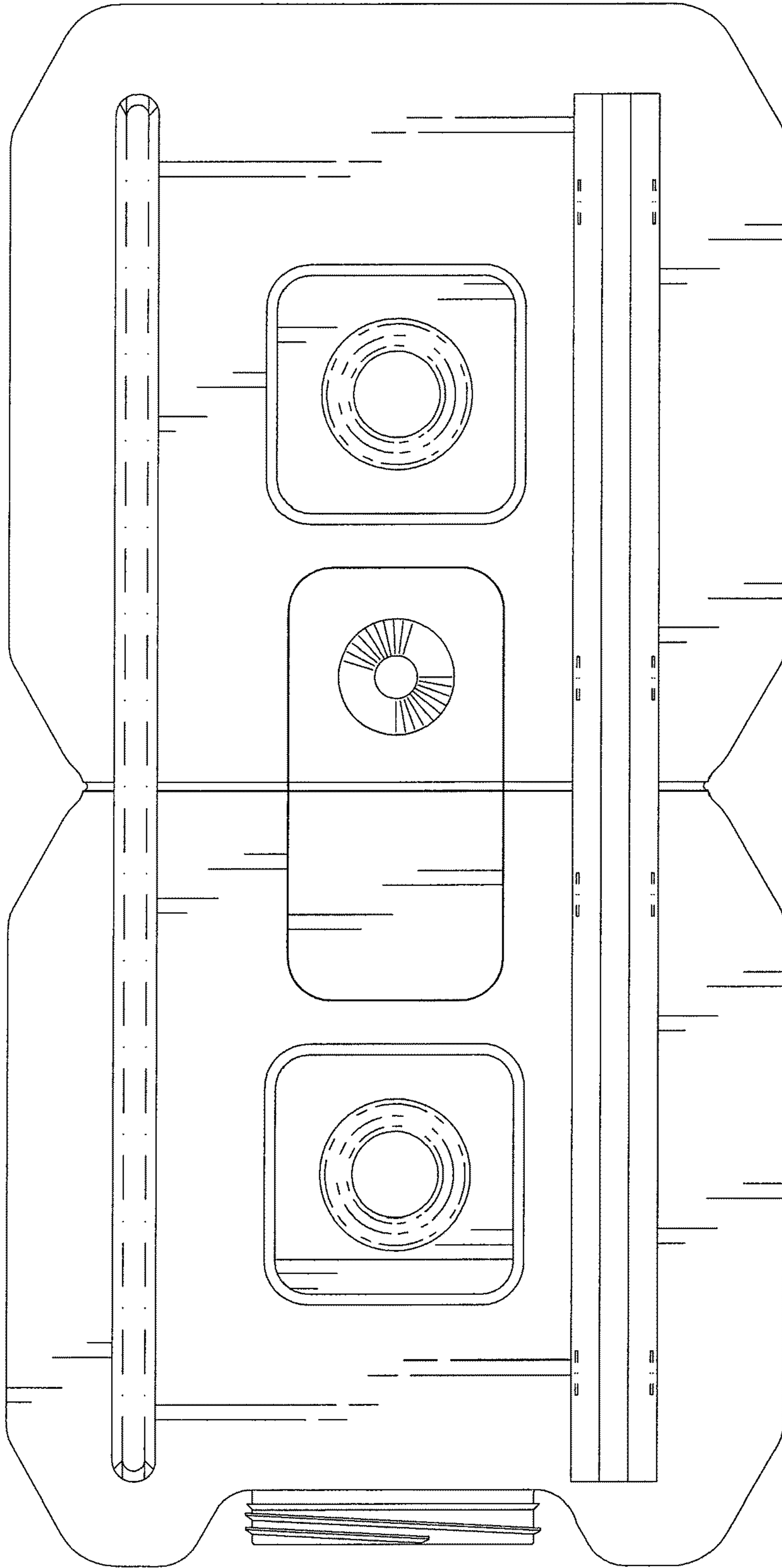


Fig. 3

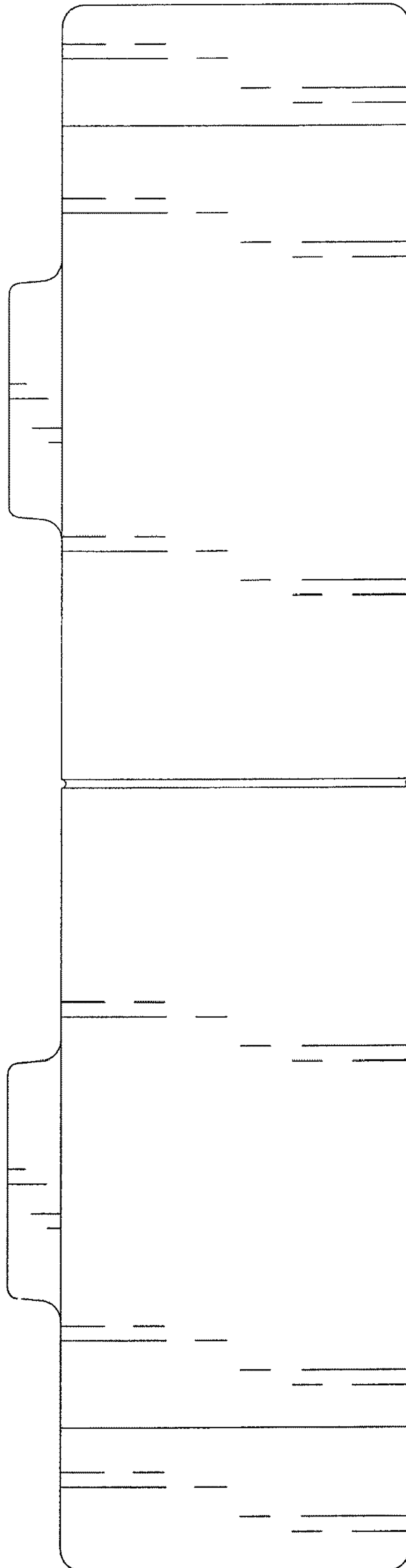


Fig. 4

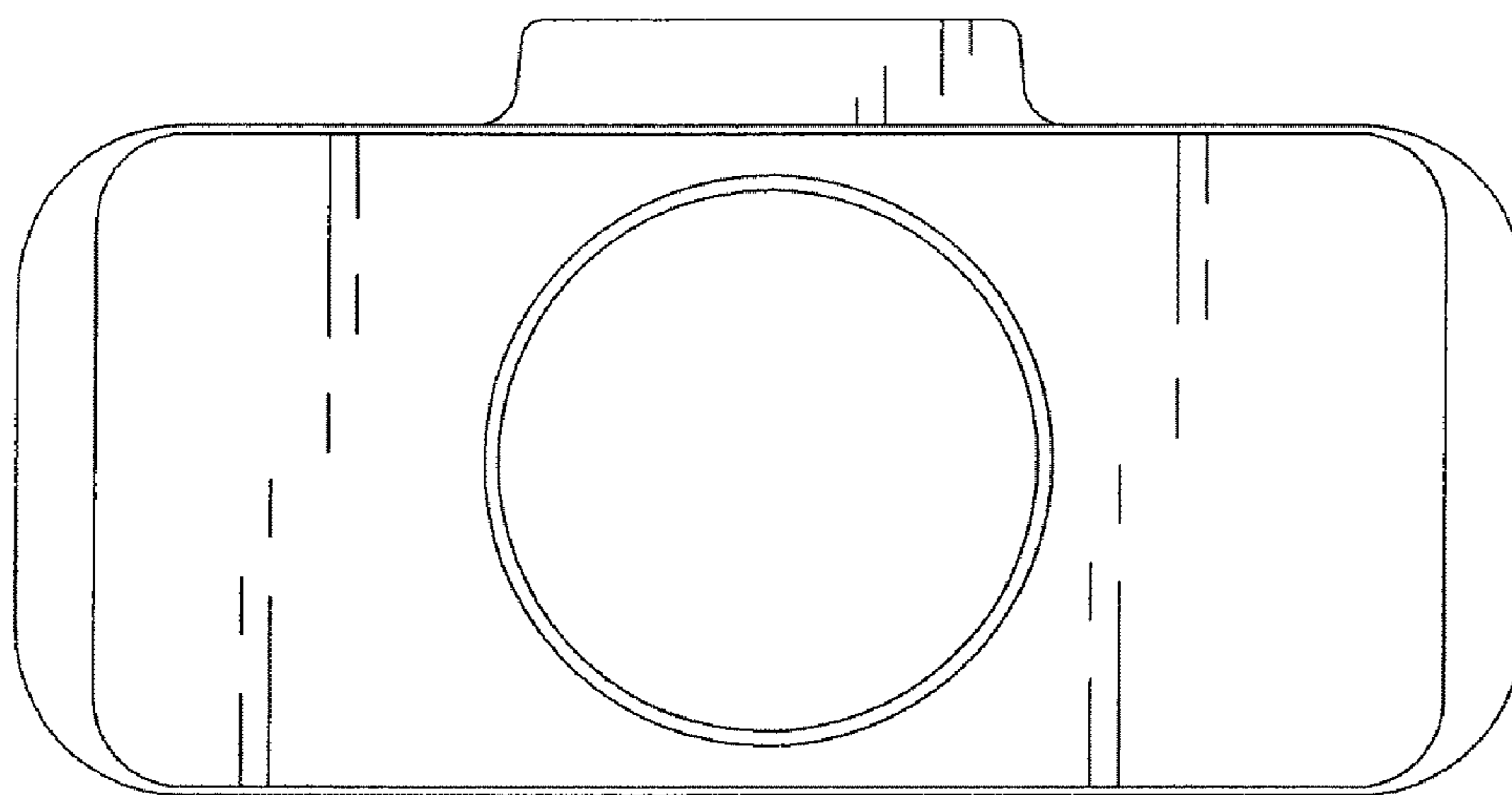


Fig. 5

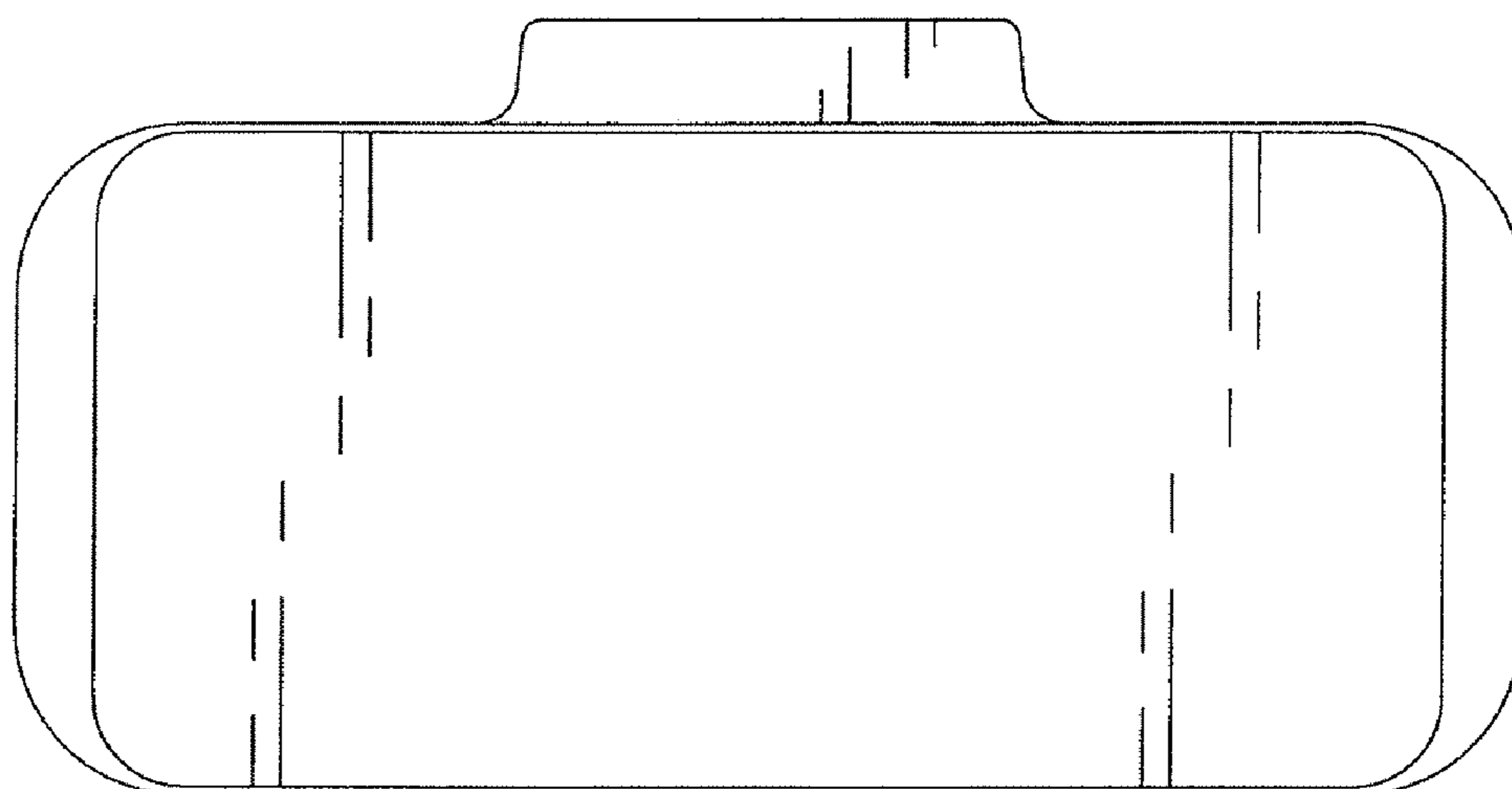


Fig. 6

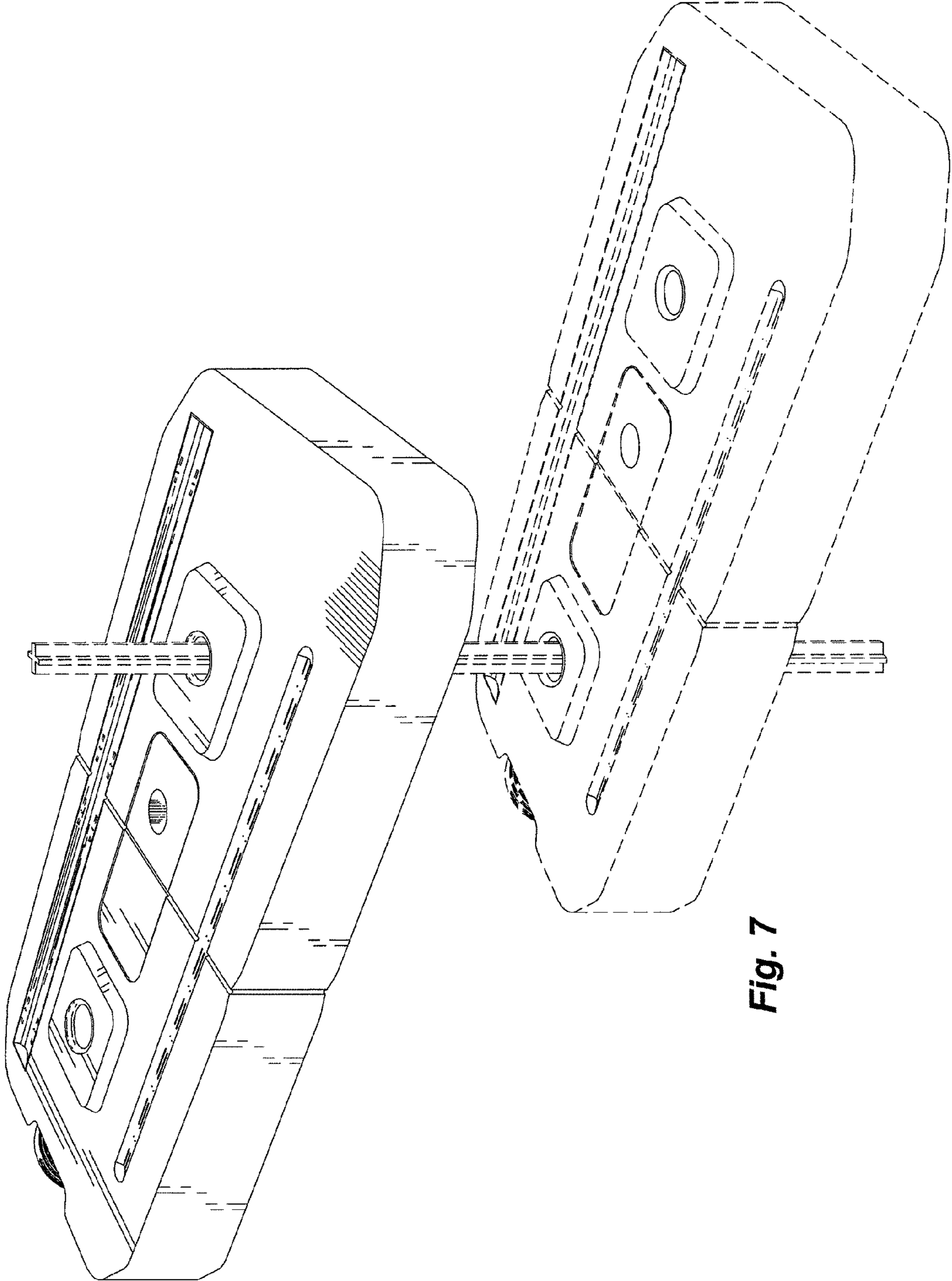


Fig. 7

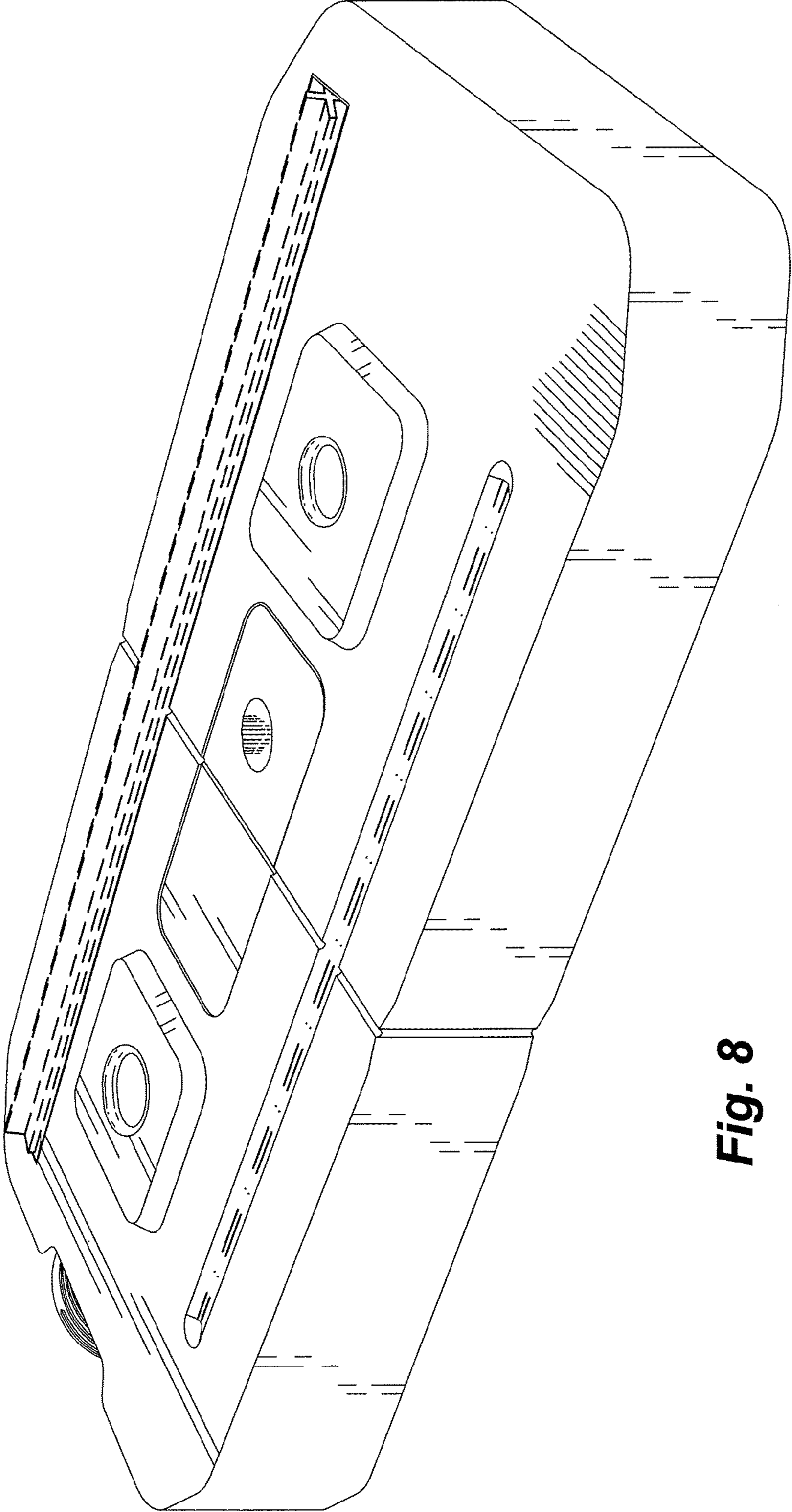


Fig. 8