



US00D642057S

(12) **United States Design Patent**
Reed et al.

(10) **Patent No.:** **US D642,057 S**
(45) **Date of Patent:** **** *Jul. 26, 2011**

(54) **CONTAINER CAP**

(75) Inventors: **David F. Reed**, Wheeling, WV (US);
Louis S. Comadena, Burr Ridge, IL (US)

(73) Assignee: **Tecnocap, LLC**, Glen Dale, WV (US)

(**) Term: **14 Years**

(21) Appl. No.: **29/246,874**

(22) Filed: **May 17, 2006**

(51) **LOC (9) Cl.** **09-07**

(52) **U.S. Cl.** **D9/453; D9/454**

(58) **Field of Classification Search** D9/690,
D9/688, 686, 569, 529, 503, 454, 453, 452,
D9/447, 436, 435, 429; 215/331, 330, 329,
215/317, 316, 272; D12/197; D7/629
See application file for complete search history.

(56) **References Cited**

U.S. PATENT DOCUMENTS

1,793,024	A	*	2/1931	Scofield	215/317
D105,723	S	*	8/1937	Wheaton	D9/453
D201,320	S	*	6/1965	Hirohama	D9/453
D266,906	S	*	11/1982	Guerette	D9/453
D304,424	S	*	11/1989	Dawson	D9/453
D315,507	S	*	3/1991	Ochs	D9/453
D318,804	S	*	8/1991	Ochs	D9/453
D359,451	S	*	6/1995	Dees	D9/443
D437,228	S	*	2/2001	Collins	D9/453
D460,357	S	*	7/2002	Kras et al.	D9/435
D471,813	S	*	3/2003	Shenkar	D9/452
D515,429	S	*	2/2006	Pace	D9/529
D518,717	S	*	4/2006	German	D9/453
D574,240	S	*	8/2008	Szczesniak	D9/453
D574,708	S	*	8/2008	Reed et al.	D9/453
D576,878	S	*	9/2008	Brashear	D9/453
D582,275	S	*	12/2008	Reed et al.	D9/453
D605,038	S	*	12/2009	Olive-Bartres et al.	D9/453

OTHER PUBLICATIONS

“U.S. Appl. No. 29/248,583, Preliminary Amendment filed Dec. 12, 2006”, 3 pgs.
“U.S. Appl. No. 29/248,583, Response filed Jan. 25, 2008 to Ex Parte Quayle Action mailed Oct. 18, 2007”, 31 pgs.
“U.S. Appl. No. 29/248,584, Notice of Allowance mailed Jul. 21, 2008”, 3 pgs.
“U.S. Appl. No. 29/248,584, Preliminary Amendment filed Dec. 12, 2006”, 3 pgs.
“U.S. Appl. No. 29/248,584, Supplemental Notice of Allowance mailed Oct. 31, 2008”, 3 pgs.
“U.S. Appl. No. 29/278,283, Preliminary Amendment mailed Mar. 23, 2007”, 3 pgs.
“U.S. Appl. No. 29/278,285, Preliminary Amendment filed Mar. 23, 2007”, 3 pgs.
“Canadian Application Serial No. 118229, Office Action mailed Aug. 3, 2008”, 1 pg.

(Continued)

Primary Examiner — Susan Bennett Hattan
(74) *Attorney, Agent, or Firm* — Schwegman, Lundberg & Woessner, P.A.

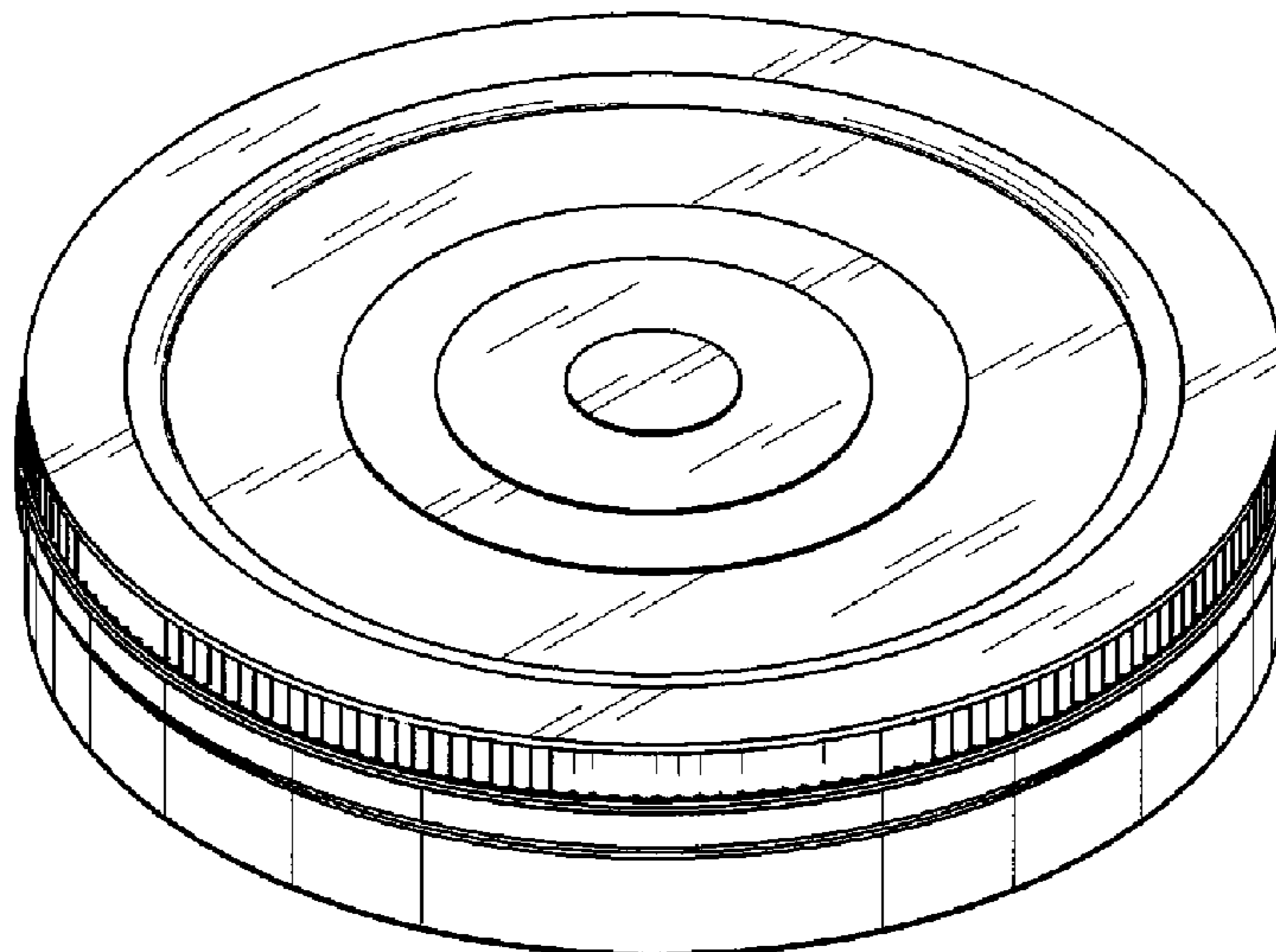
(57) **CLAIM**

The ornamental design for a container cap, as shown and described.

DESCRIPTION

FIG. 1 is a top perspective view of a container cap, incorporating the new design.
FIG. 2 is a bottom perspective view of the container cap of FIG. 1.
FIG. 3 is a top view of the container cap of FIG. 1.
FIG. 4 is a bottom view of the container cap of FIG. 1; and, FIG. 5 is a side elevational view of the container cap of FIG. 1.

1 Claim, 2 Drawing Sheets



OTHER PUBLICATIONS

“Canadian Application Serial No. 118229, Office Action mailed Nov. 7, 2007”, 1 pg.

“Canadian Application Serial No. 118229, Response filed Mar. 7, 2008 to Office Action mailed Nov. 7, 2007”, 5 pgs.

“Canadian Application Serial No. 118229, Response filed Aug. 1, 2008 to Office Action mailed Apr. 3, 2008”, 2 pgs.

“Canadian Application Serial No. 118230, Office Action mailed Apr. 3, 2008”, 1 pg.

“Canadian Application Serial No. 118230, Office Action mailed Nov. 7, 2007”, 1 pg.

“Canadian Application Serial No. 118230, Response filed Mar. 7, 2008 to Office Action mailed Nov. 7, 2007”, 6 pgs.

“Canadian Application Serial No. 118230, Response filed Aug. 1, 2008 to Office Action mailed Apr. 3, 2008”, 4 pgs.

“Tecnocap Closures—Capsule Twist/Twist Caps”, Technical specification, (undated (prior to filing date of U.S. Appl. No. 29/246,874)), 1 page.

“U.S. Appl. No. 29/246,874, Notice of Allowability mailed Dec. 15, 2006”, 3 p.

“U.S. Appl. No. 29/248,583, Ex Parte Quayle Action mailed Oct. 18, 2007”, 6 p.

“U.S. Appl. No. 29/248,583, Notice of Allowance mailed Dec. 27, 2006”, 7 p.

“U.S. Appl. No. 29/248,584, Notice of Allowability mailed Dec. 27, 2006”, 4 p.

* cited by examiner

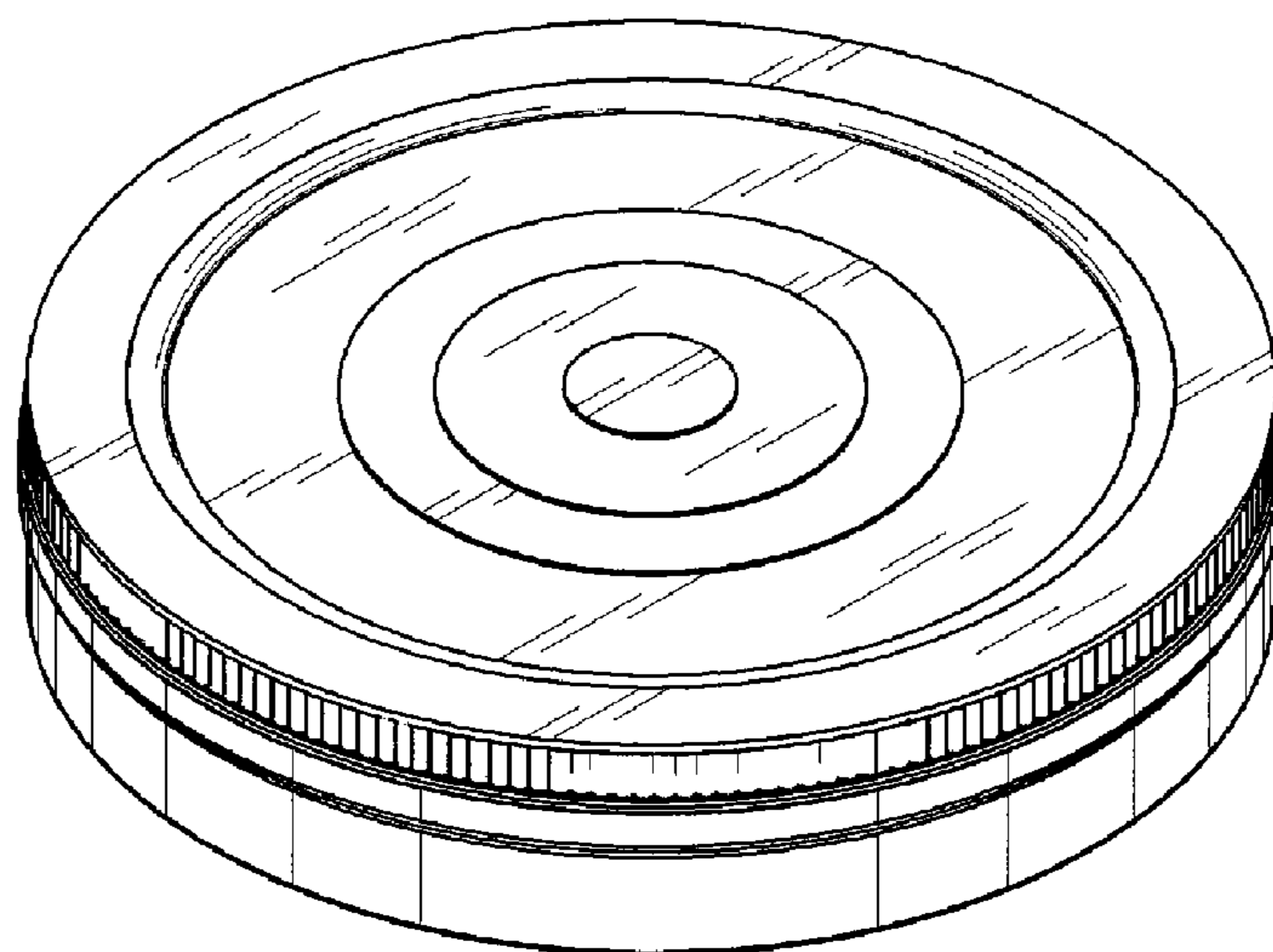


FIG. 1

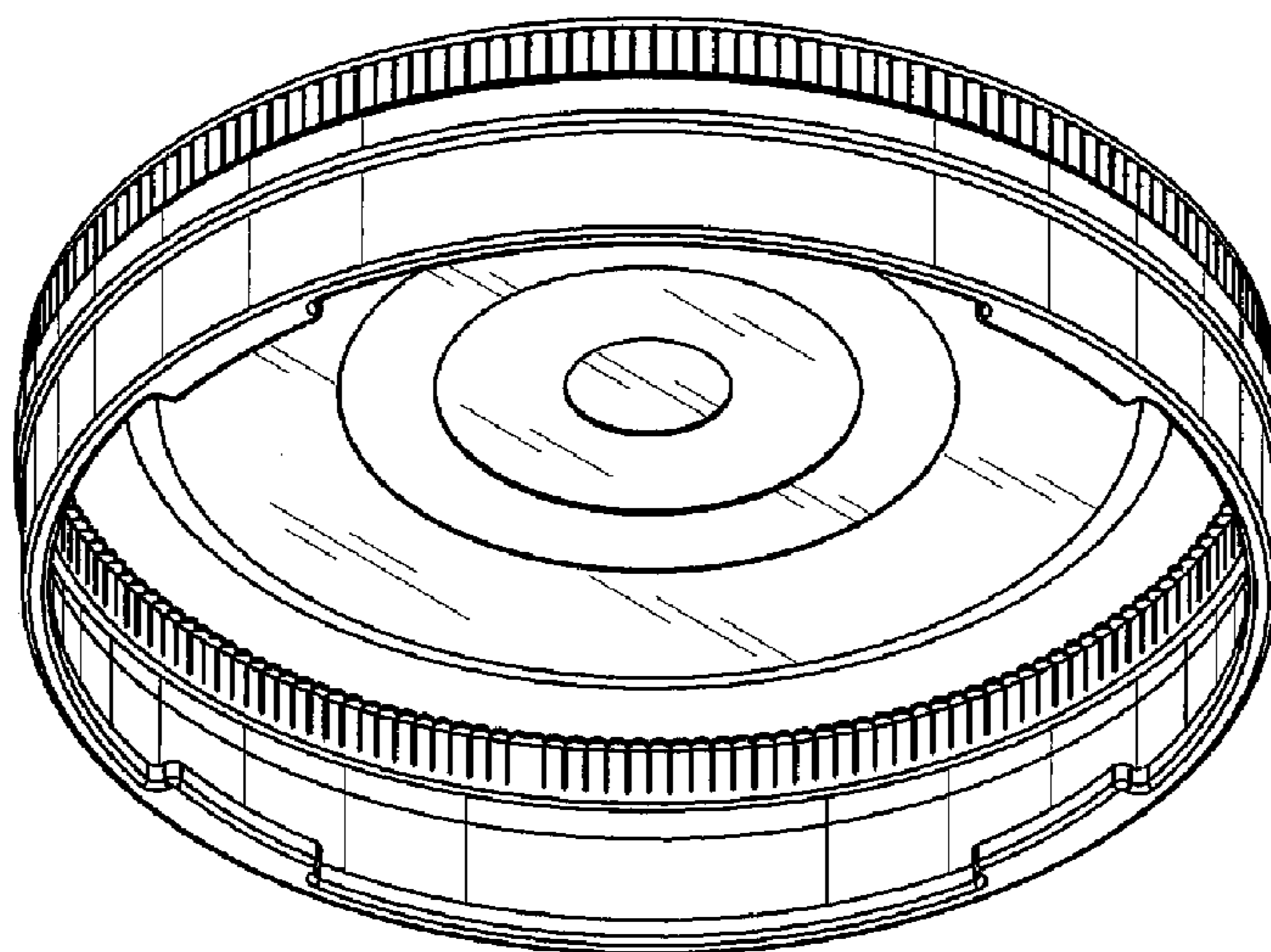


FIG. 2

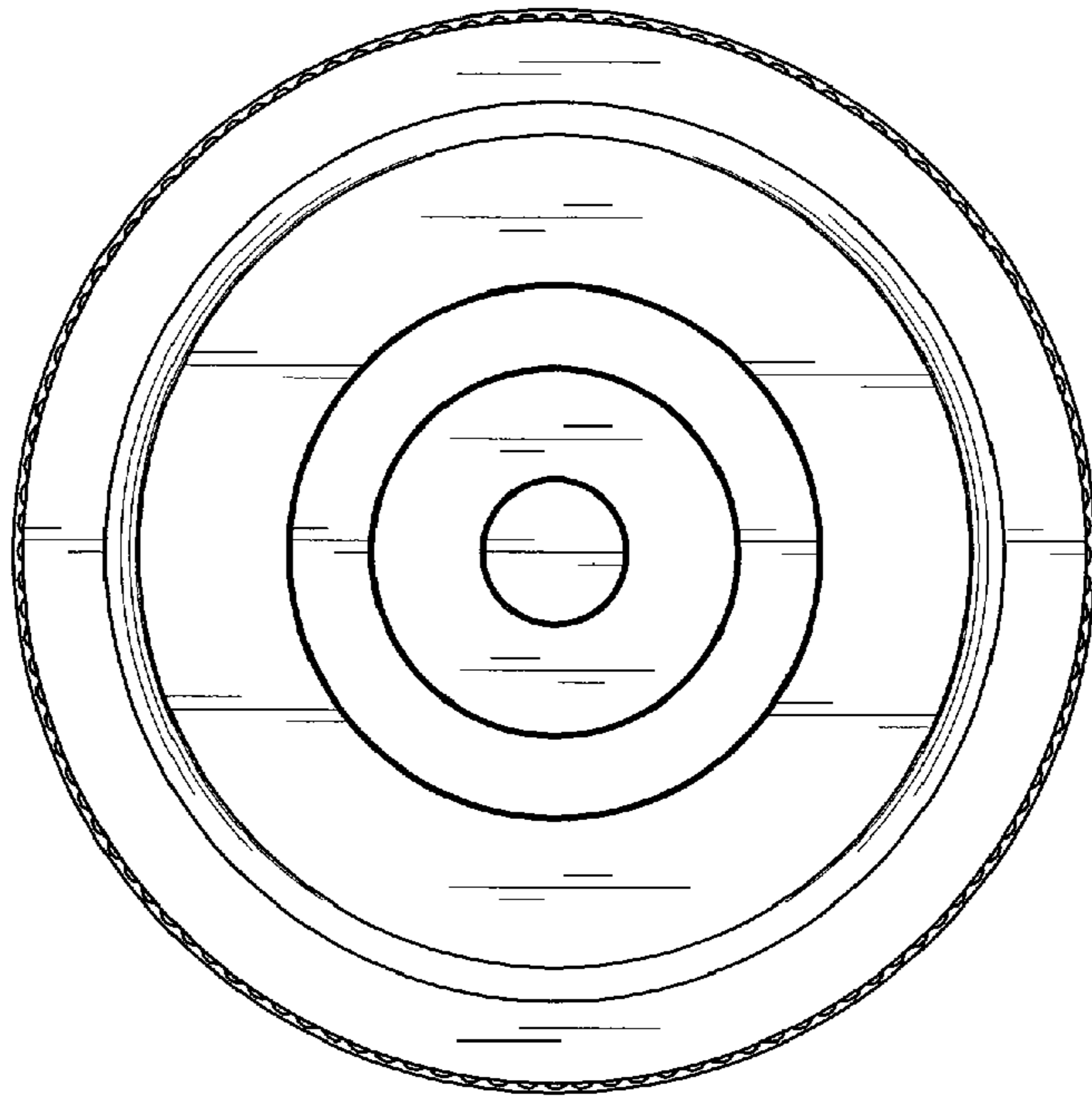


FIG. 3

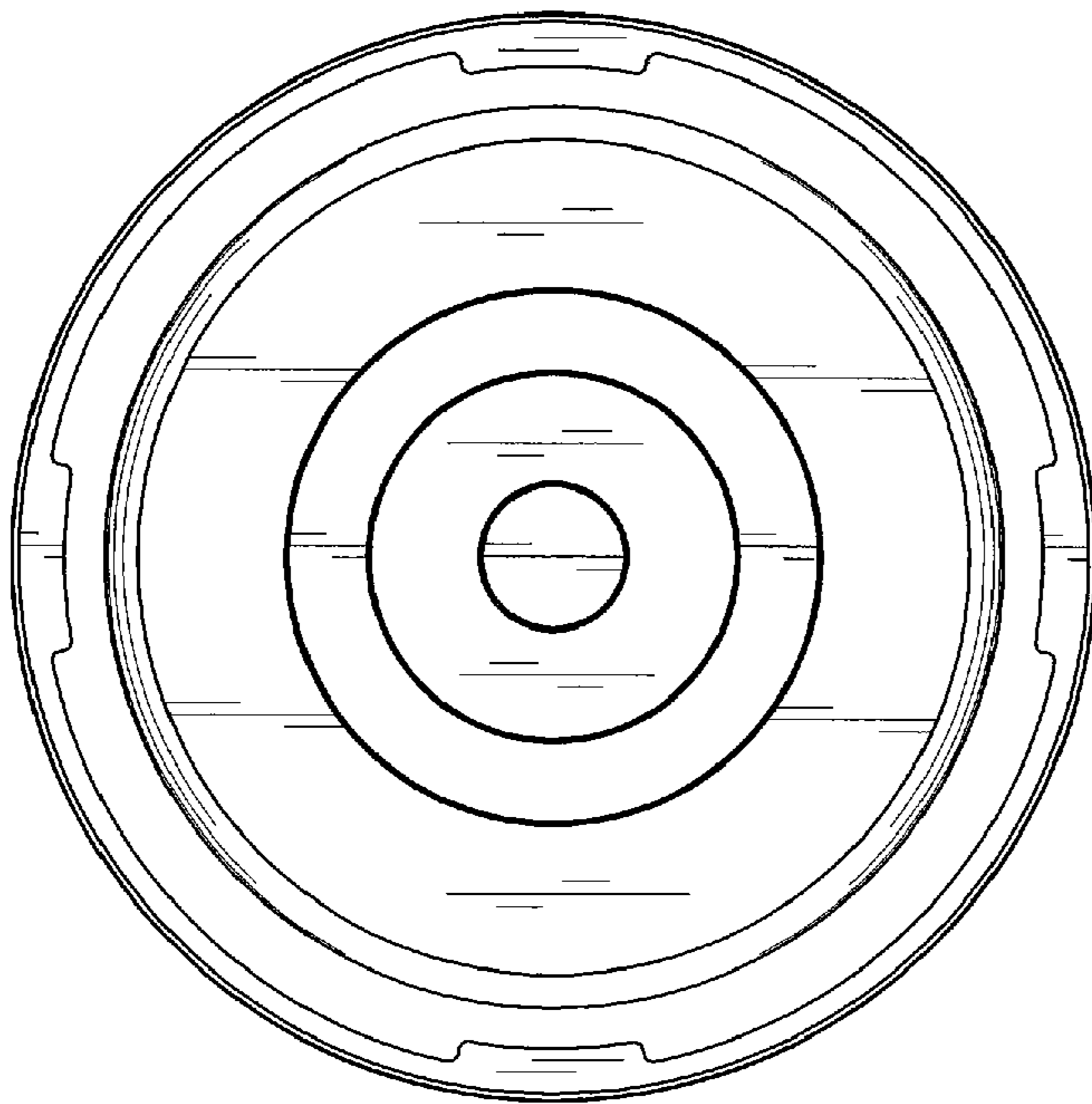


FIG. 4

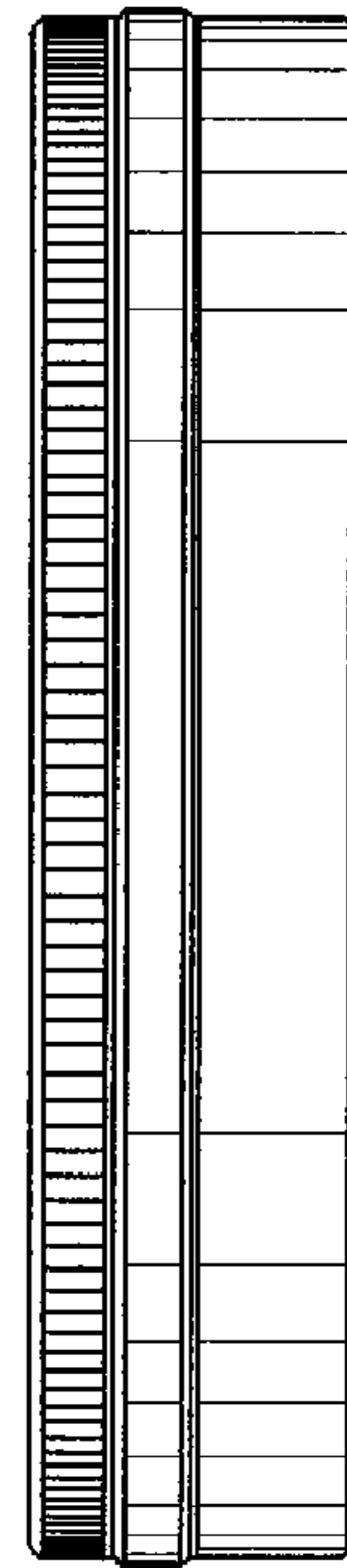


FIG. 5