



US00D642056S

(12) **United States Design Patent**
Brown et al.

(10) **Patent No.:** **US D642,056 S**
(45) **Date of Patent:** **** Jul. 26, 2011**

(54) **LID**

(75) Inventors: **Alexander Brown**, Manningtree (GB);
Peter Wills, Huntingdon (GB); **Claudio Scippo**, Bedford (GB)

(73) Assignee: **Solo Cup Europe Limited**, Huntingdon (GB)

(**) Term: **14 Years**

(21) Appl. No.: **29/369,148**

(22) Filed: **Sep. 2, 2010**

(30) **Foreign Application Priority Data**

Mar. 2, 2010 (EP) 1676727

(51) **LOC (9) Cl.** **09-07**

(52) **U.S. Cl.** **D9/452; D9/454**

(58) **Field of Classification Search** D9/780,
D9/772, 529, 504, 503, 454, 452, 445, 444,
D9/443, 440, 435, 429, 428, 427; D7/392.1,
D7/391, 354; D28/7; D24/222, 115; D23/366;
428/34.1; 229/123.1; 220/270, 266; 215/316,
215/253, 250

See application file for complete search history.

(56) **References Cited**

U.S. PATENT DOCUMENTS

D91,437 S * 1/1934 Nielson D9/500
3,458,076 A 7/1969 Babcock
D240,595 S * 7/1976 Kress D9/452
D266,486 S * 10/1982 Lutz D9/503
D281,581 S * 12/1985 MacEwen D9/435
5,950,819 A 9/1999 Sellars
D436,866 S * 1/2001 Freeman D9/452

D489,979 S * 5/2004 Le Bourg D9/444
D527,633 S * 9/2006 Stull et al. D9/454
D611,588 S * 3/2010 Jorgensen D23/366
D617,187 S * 6/2010 Murray D9/435
2006/0185990 A1 8/2006 Rybar et al.
2006/0219725 A1 10/2006 Ferro
2007/0172556 A1 7/2007 Berrysmith
2008/0061065 A1 3/2008 Aronson et al.

FOREIGN PATENT DOCUMENTS

FR 2791871 A1 10/2000
FR 2833931 A1 6/2003
GB 2421566 B 7/2009
WO WO 3007040664 S3 3/2007
WO WO 2009105262 A1 8/2009

* cited by examiner

Primary Examiner — Susan Bennett Hattan

(74) *Attorney, Agent, or Firm* — Banner & Witcoff, Ltd.

(57) **CLAIM**

The ornamental design for a lid, as shown and described.

DESCRIPTION

FIG. 1 is a top perspective view of a lid showing our new design;

FIG. 2 is a bottom perspective view thereof;

FIG. 3 is a top view thereof;

FIG. 4 is a first side view thereof;

FIG. 5 is a second side view thereof;

FIG. 6 is a third side view thereof; and,

FIG. 7 is a bottom view thereof.

The broken lines showing the remainder of the lid are for illustrative purposes only and form no part of the claimed design.

1 Claim, 4 Drawing Sheets

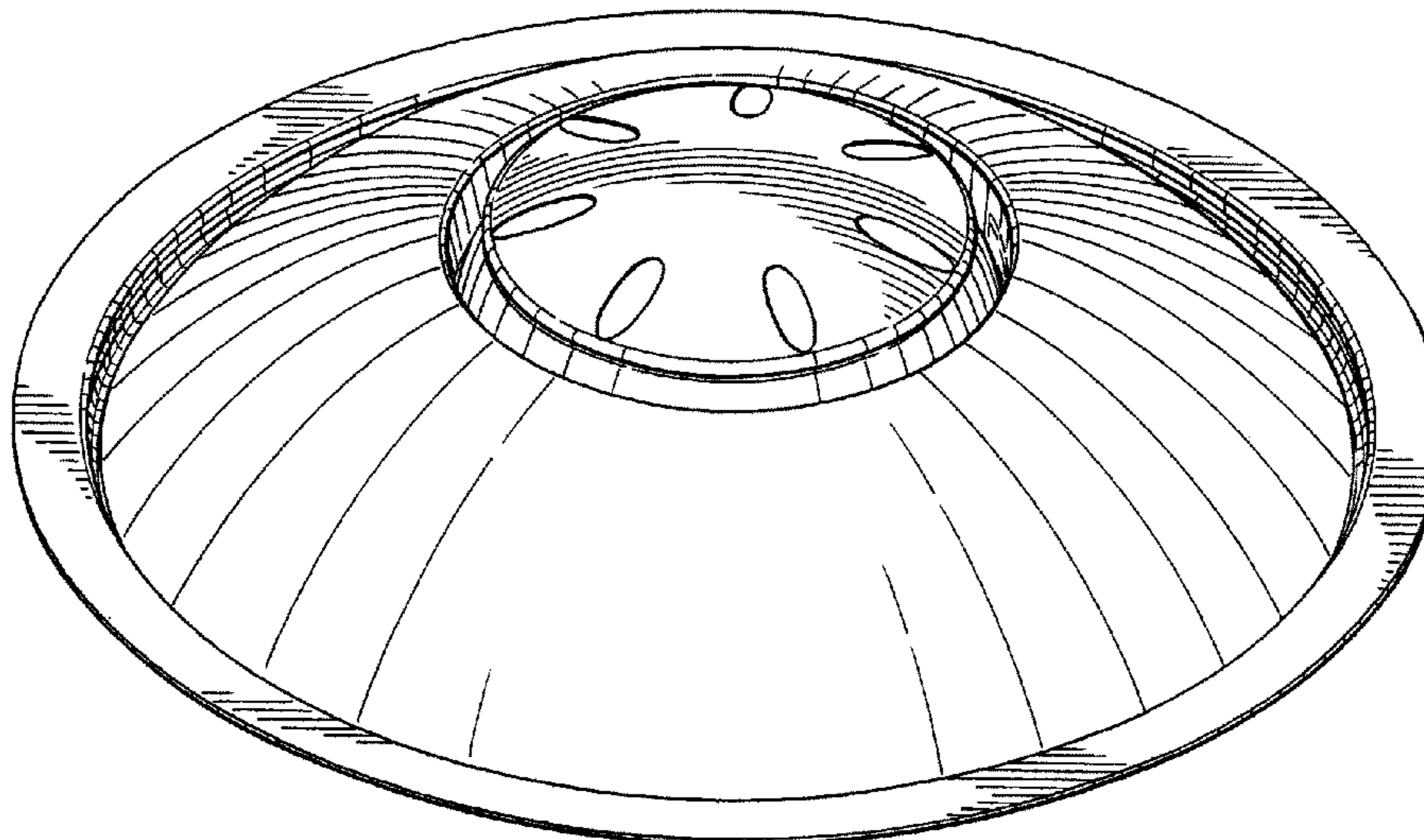


FIG. 1

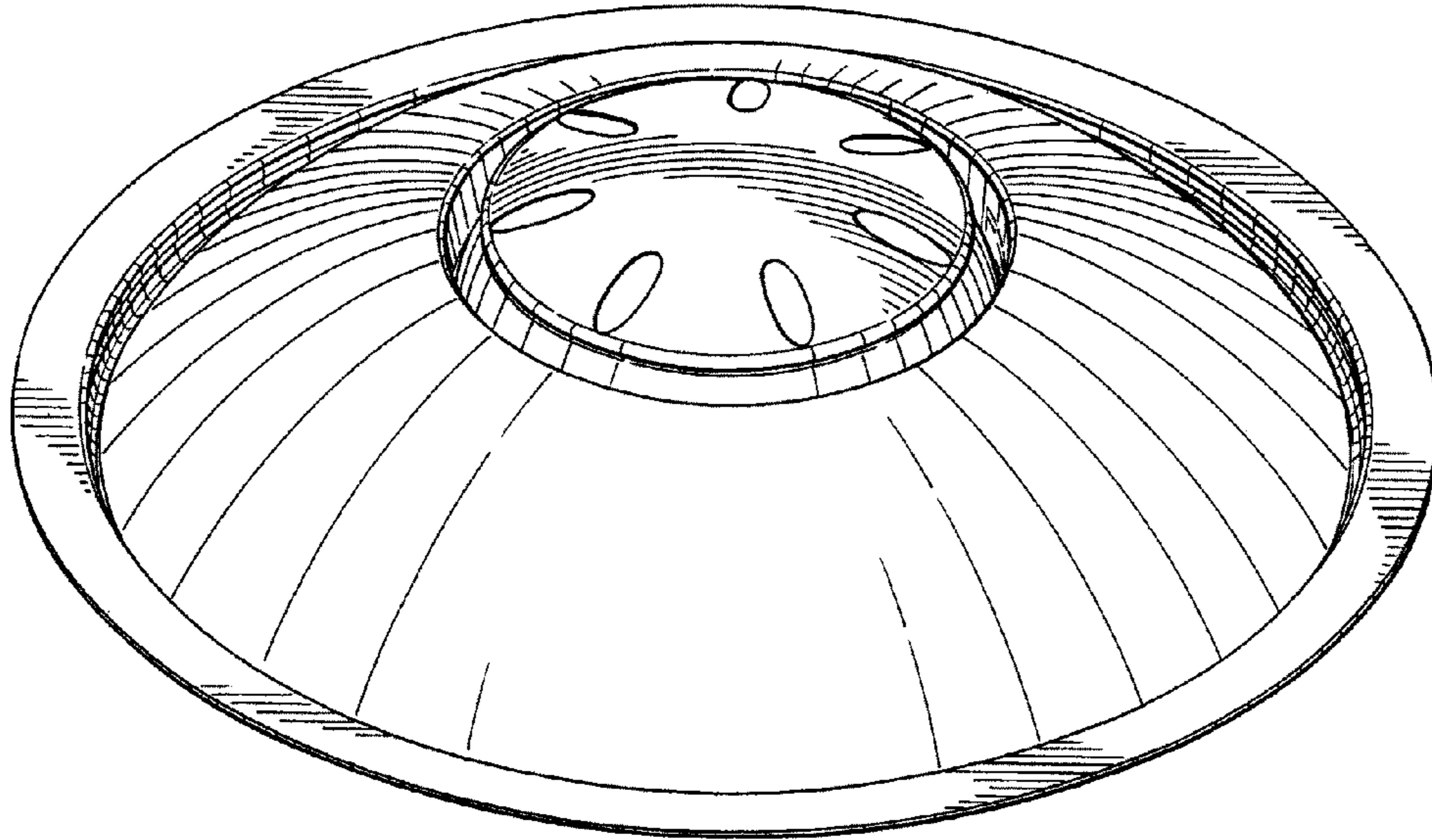


FIG. 2

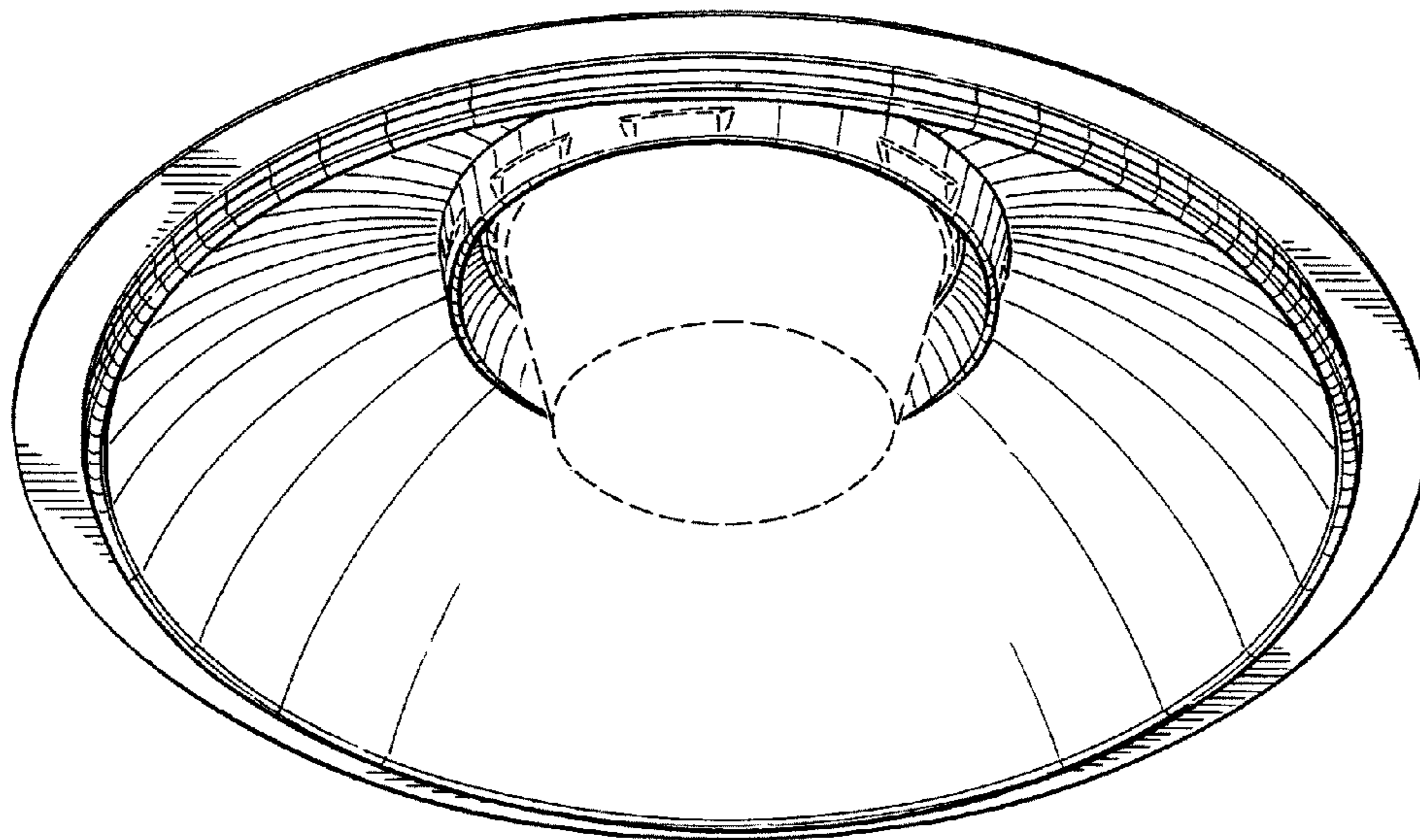


FIG. 3

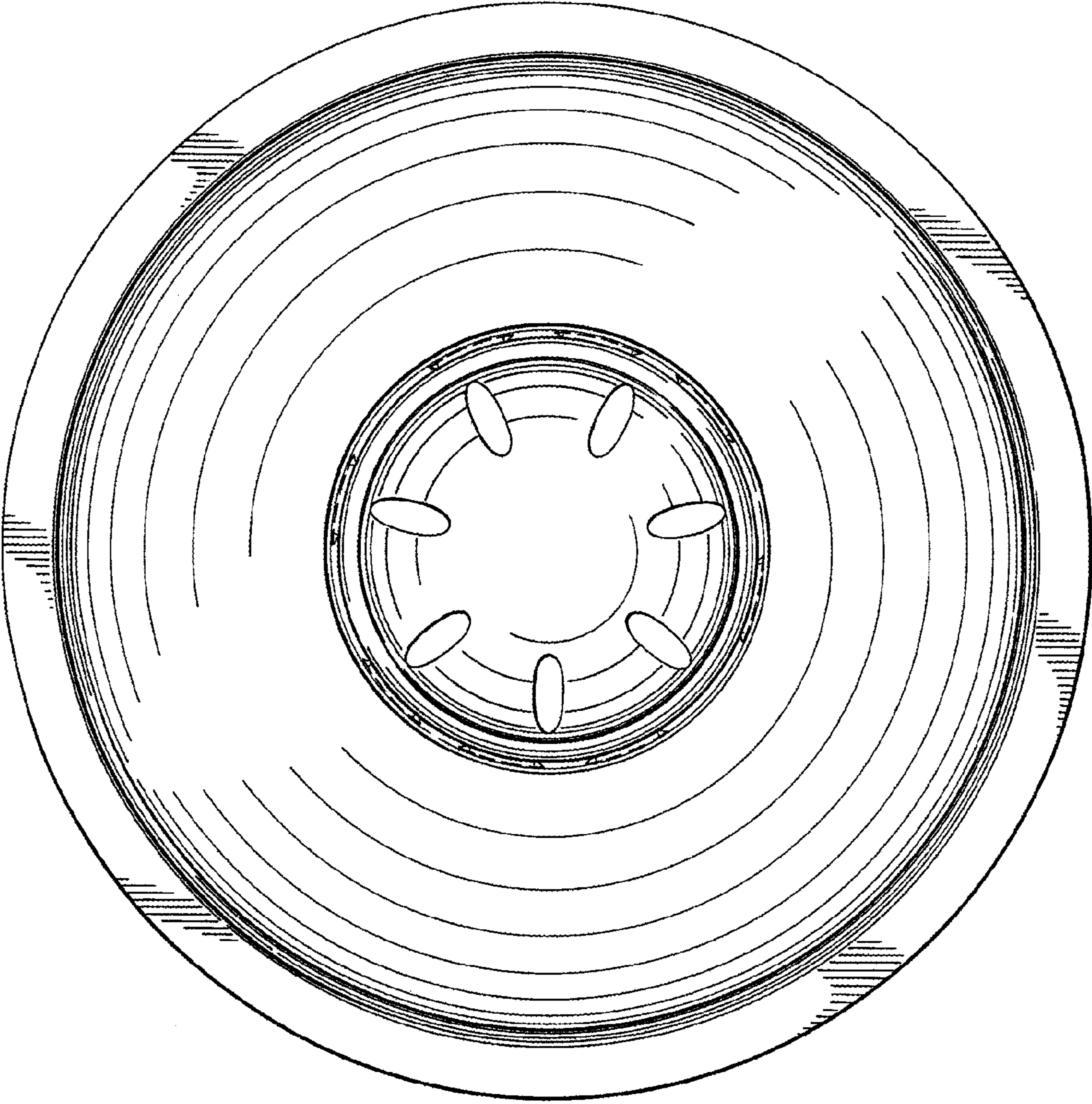


FIG. 4

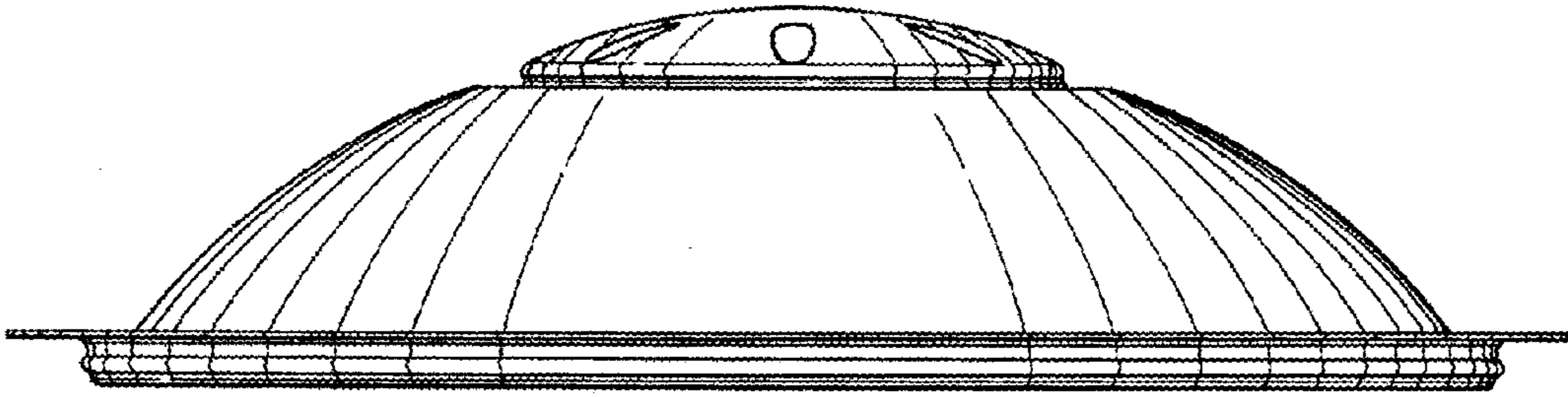


FIG. 5

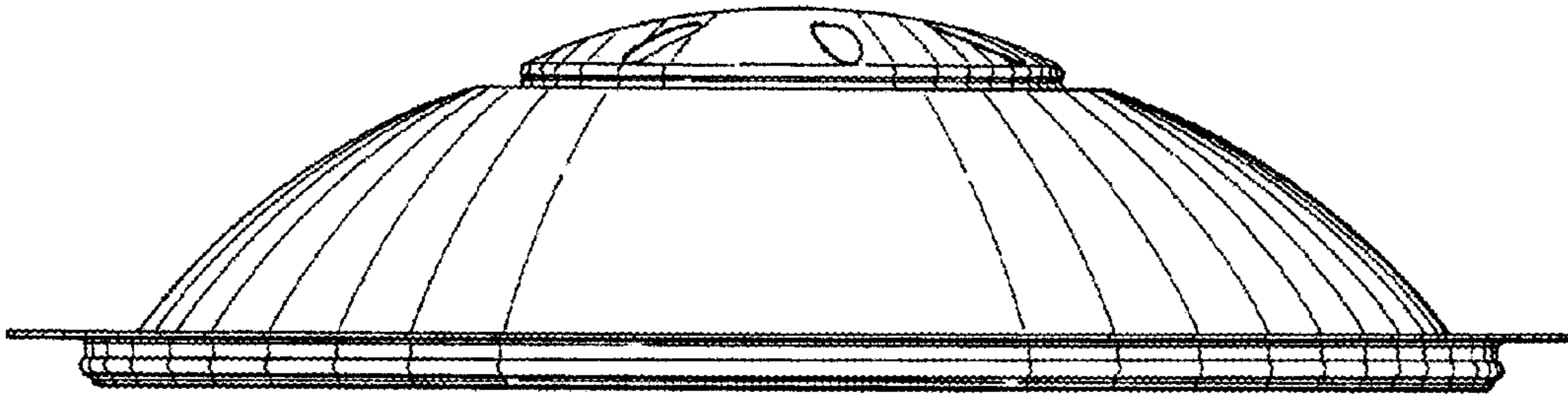


FIG. 6

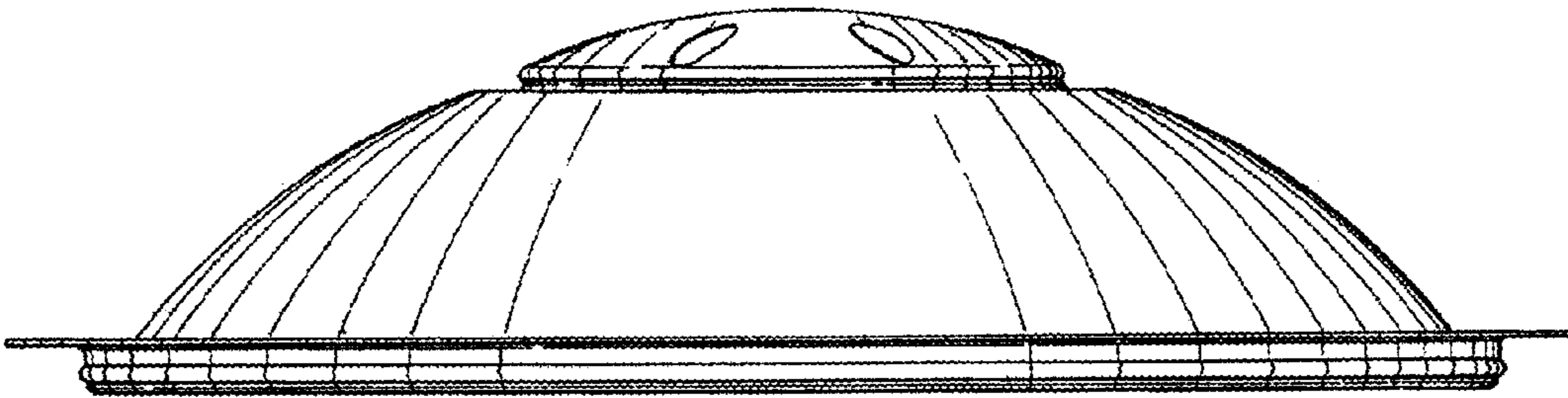


FIG. 7

