



US00D642044S

(12) **United States Design Patent**  
**Roberts, III**

(10) **Patent No.:** **US D642,044 S**

(45) **Date of Patent:** **\*\* Jul. 26, 2011**

(54) **HANDLESET**

(75) Inventor: **Rockwood Theodore Roberts, III**,  
Carmel, IN (US)

(73) Assignee: **Schlage Lock Company**, Carmel, IN  
(US)

(\*\*) Term: **14 Years**

(21) Appl. No.: **29/383,073**

(22) Filed: **Jan. 12, 2011**

(51) **LOC (9) Cl.** ..... **11-05**

(52) **U.S. Cl.** ..... **D8/350; D8/302**

(58) **Field of Classification Search** ..... D8/350–353,  
D8/300, 302, 308, 310, 316, 317–320; D13/147,  
D13/146, 139.1–139.8, 171, 169, 173, 158,  
D13/154, 152, 177, 156; D14/159; D25/60;  
174/66, 67; 220/242, 3.5–3.8, 3.92, 241;  
439/892, 535, 536; 200/303; 248/273; 292/357,  
292/336.3; 70/107, 111, 402, 450, 452, DIG. 73  
See application file for complete search history.

(56) **References Cited**

U.S. PATENT DOCUMENTS

D362,610 S *	9/1995	Ellis et al. ....	D8/302
D363,204 S *	10/1995	Ellis et al. ....	D8/301
D391,827 S *	3/1998	Carsello .....	D8/321
D391,828 S *	3/1998	Carsello .....	D8/321
D391,829 S *	3/1998	Carsello .....	D8/321
D391,830 S *	3/1998	Carsello .....	D8/321
D471,423 S *	3/2003	Ellis et al. ....	D8/301
D471,424 S *	3/2003	Ellis et al. ....	D8/301
D471,432 S *	3/2003	Ellis et al. ....	D8/350
D471,786 S *	3/2003	Ellis et al. ....	D8/350
D473,780 S *	4/2003	Singtoroj et al. ....	D8/320
D495,229 S *	8/2004	Ellis et al. ....	D8/301
D495,576 S *	9/2004	Ellis et al. ....	D8/301
D502,083 S *	2/2005	Denoual .....	D8/302
D502,084 S *	2/2005	Denoual .....	D8/302
D502,086 S *	2/2005	Denoual .....	D8/302
D524,634 S *	7/2006	Yegyayan et al. ....	D8/350
D527,976 S *	9/2006	Singtoroj .....	D8/302
D571,183 S *	6/2008	Roberts, III .....	D8/302

D579,302 S \* 10/2008 Roberts, III ..... D8/302  
D579,760 S \* 11/2008 Roberts, III ..... D8/353  
2006/0138788 A1\* 6/2006 Winardi et al. .... 292/336.3

\* cited by examiner

*Primary Examiner* — Mark Goodwin

(74) *Attorney, Agent, or Firm* — Michael Best & Friedrich  
LLP

(57) **CLAIM**

The ornamental design for a handleset, as shown and  
described.

**DESCRIPTION**

FIG. 1 is a perspective view of a handleset showing my new  
design.

FIG. 2 is an enlarged perspective view of a lower portion of  
the handleset.

FIG. 3 is an enlarged front elevational view of the lower  
portion of the handleset.

FIG. 4 is an enlarged right side elevational view of the lower  
portion of the handleset.

FIG. 5 is an enlarged left side elevational view of the lower  
portion of the handleset.

FIG. 6 is an enlarged top plan view of the lower portion of the  
handleset.

FIG. 7 is an enlarged bottom plan view of the lower portion of  
the handleset.

FIG. 8 is an enlarged perspective view of an upper portion of  
the handleset.

FIG. 9 is an enlarged front elevational view of the upper  
portion of the handleset.

FIG. 10 is an enlarged right side elevational view of the upper  
portion of the handleset.

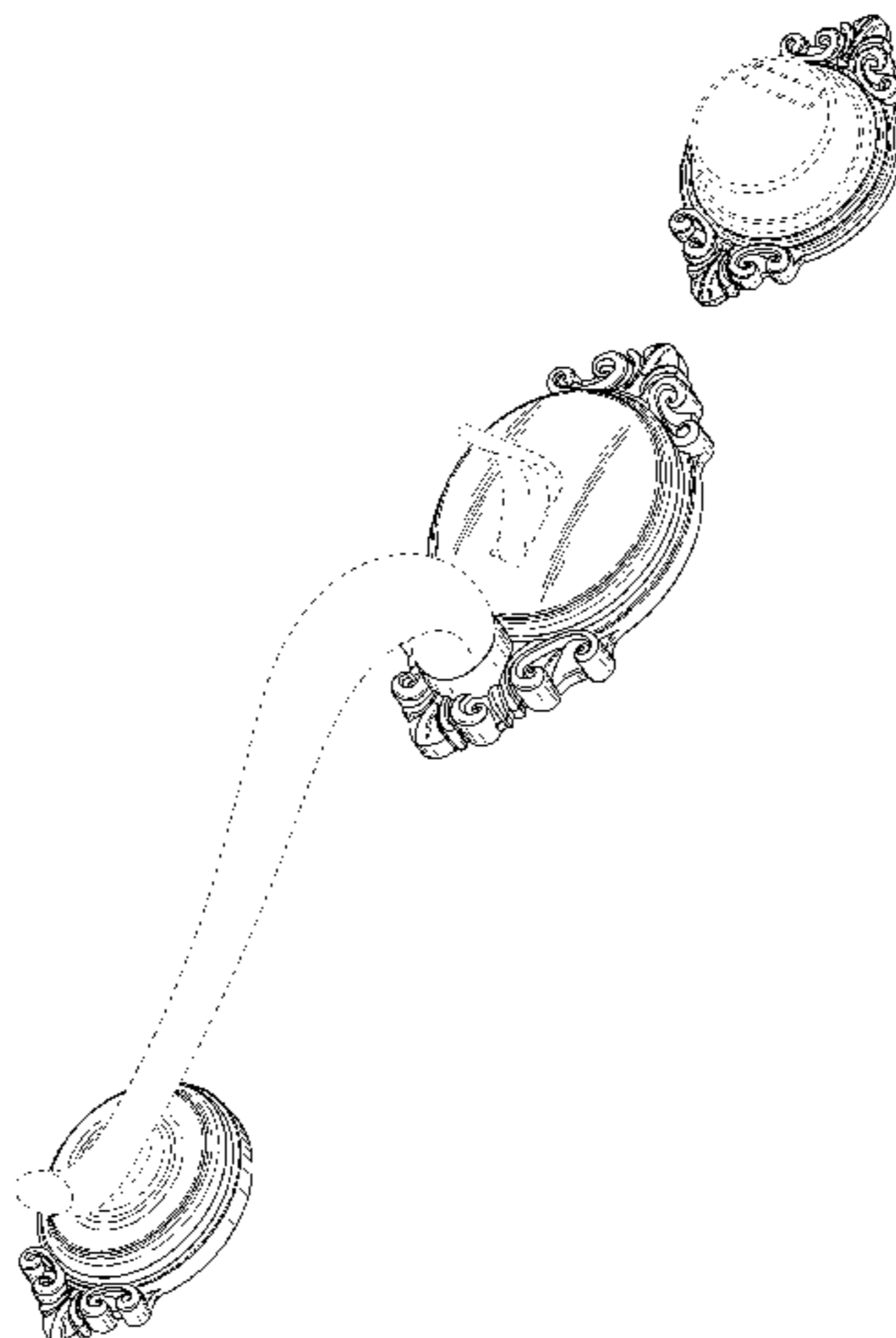
FIG. 11 is an enlarged left side elevational view of the upper  
portion of the handleset.

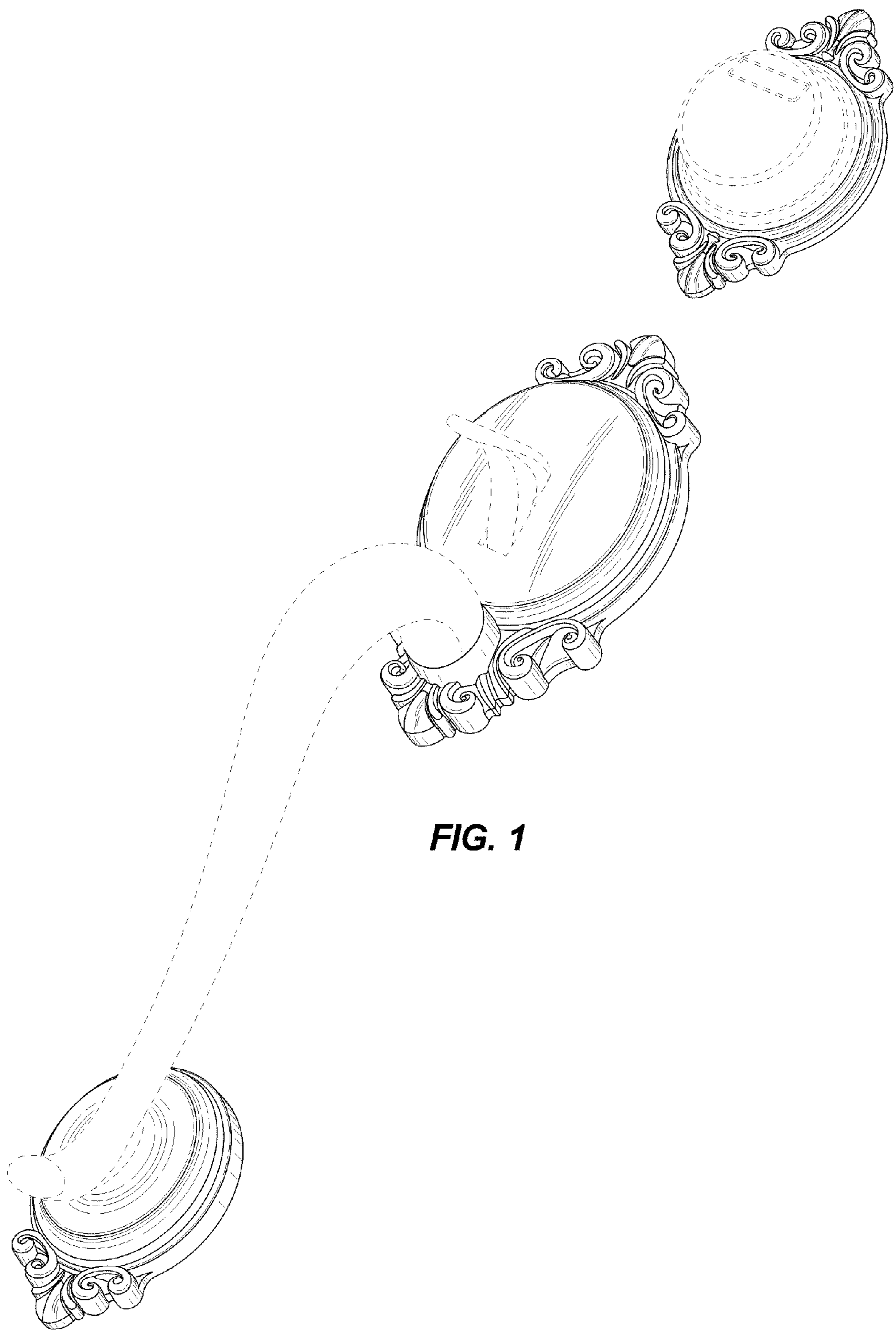
FIG. 12 is an enlarged top plan view of the upper portion of  
the handleset; and,

FIG. 13 is an enlarged bottom plan view of the upper portion  
of the handleset.

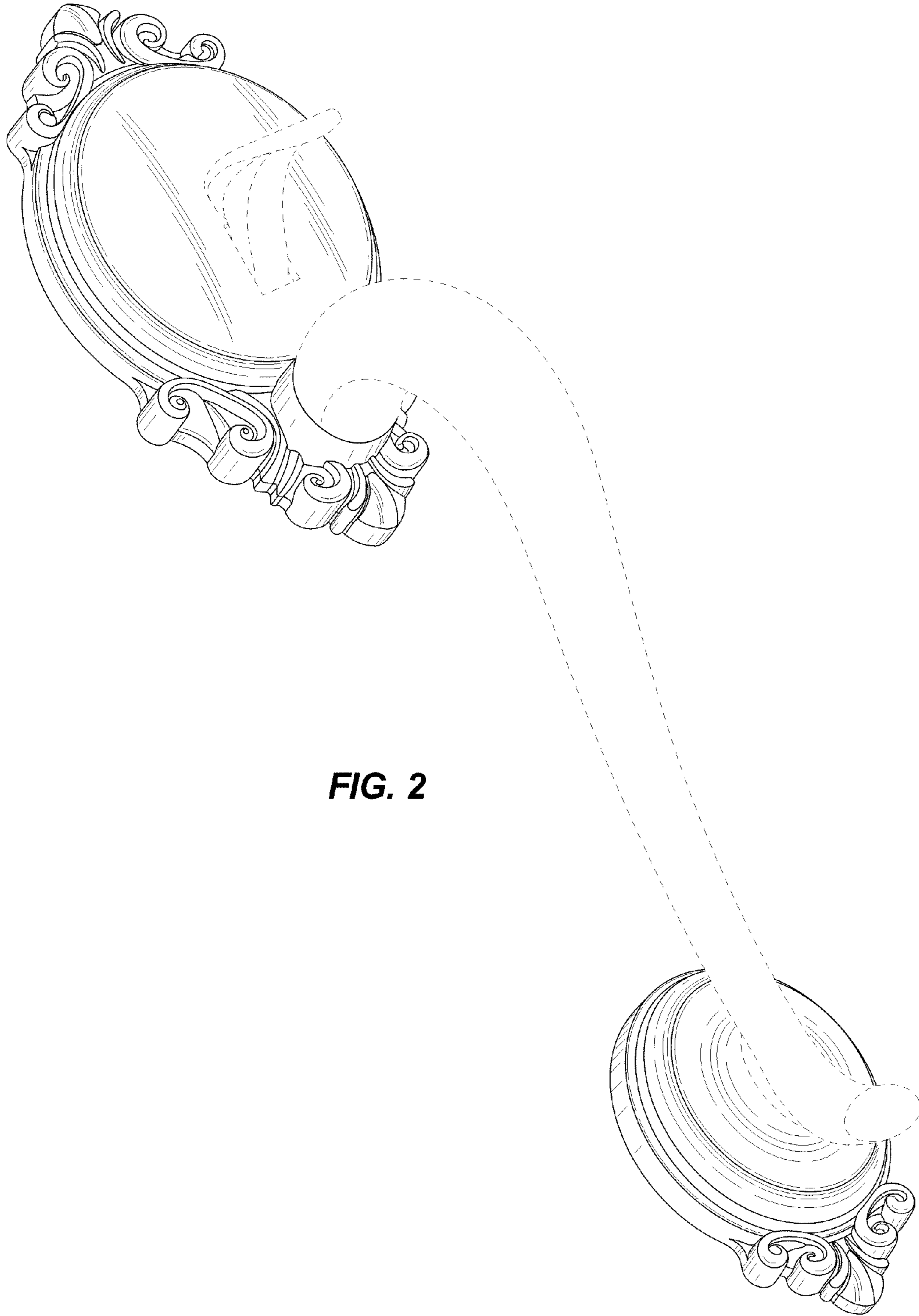
The broken line showing of a thumb latch, handle, mounting  
structures, and lock body is included for the purpose of illus-  
trating environmental structure only and forms no part of the  
claimed design.

**1 Claim, 10 Drawing Sheets**

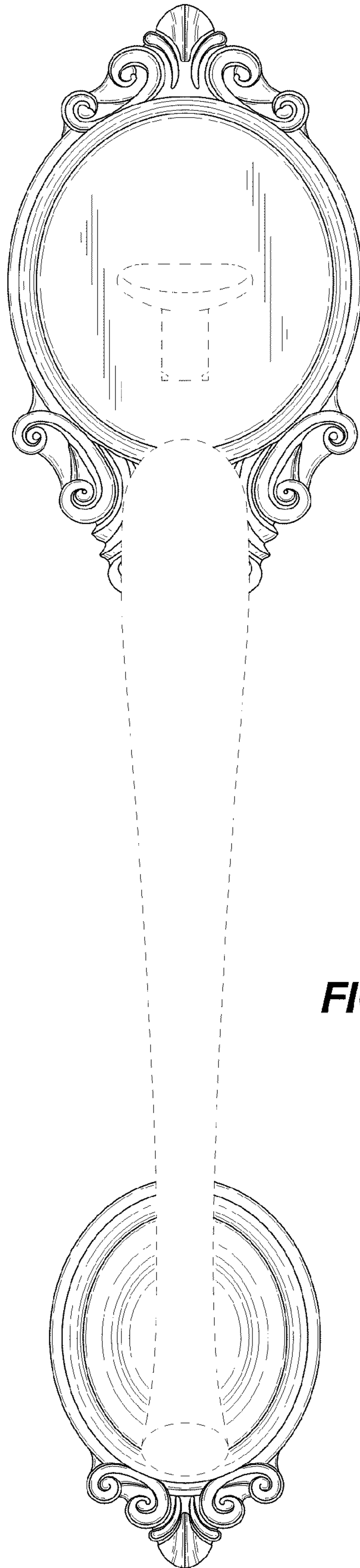




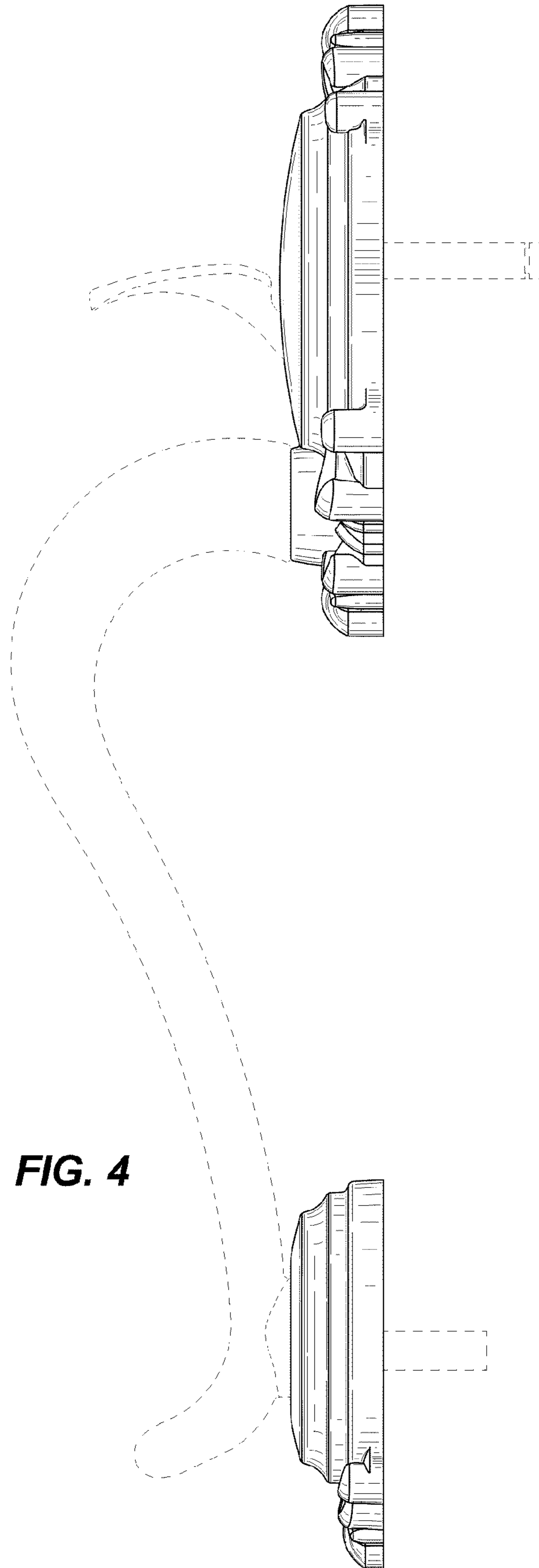
**FIG. 1**



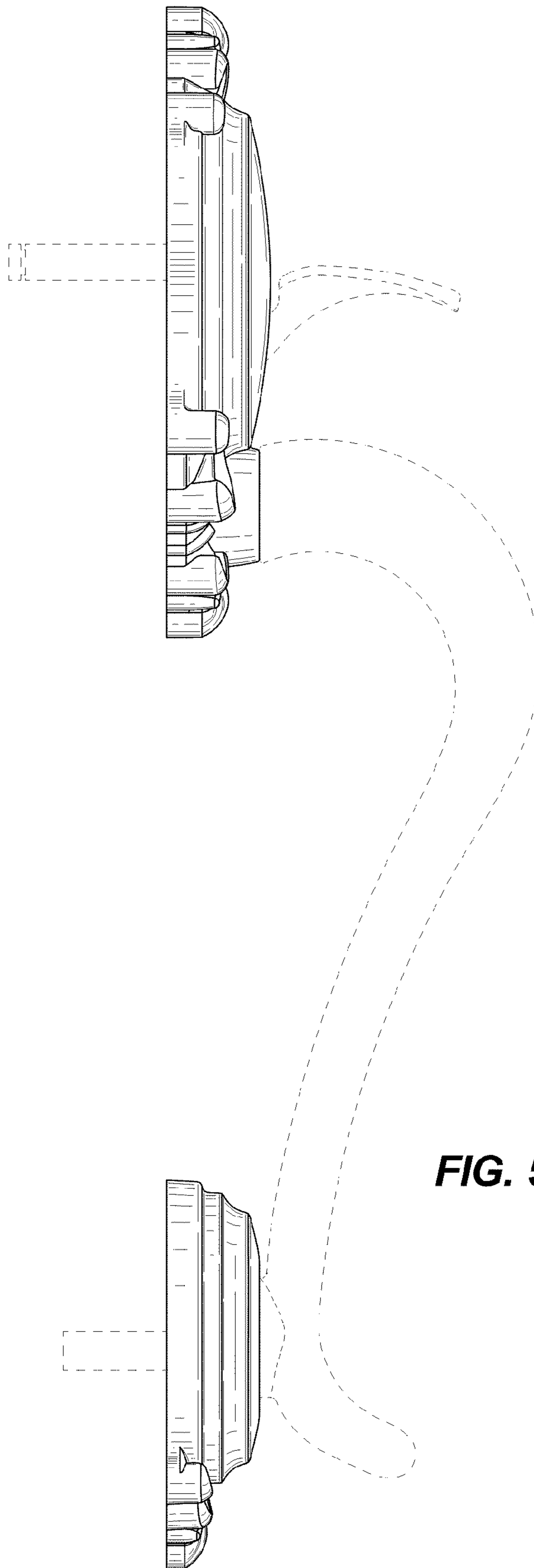
**FIG. 2**



**FIG. 3**



**FIG. 4**



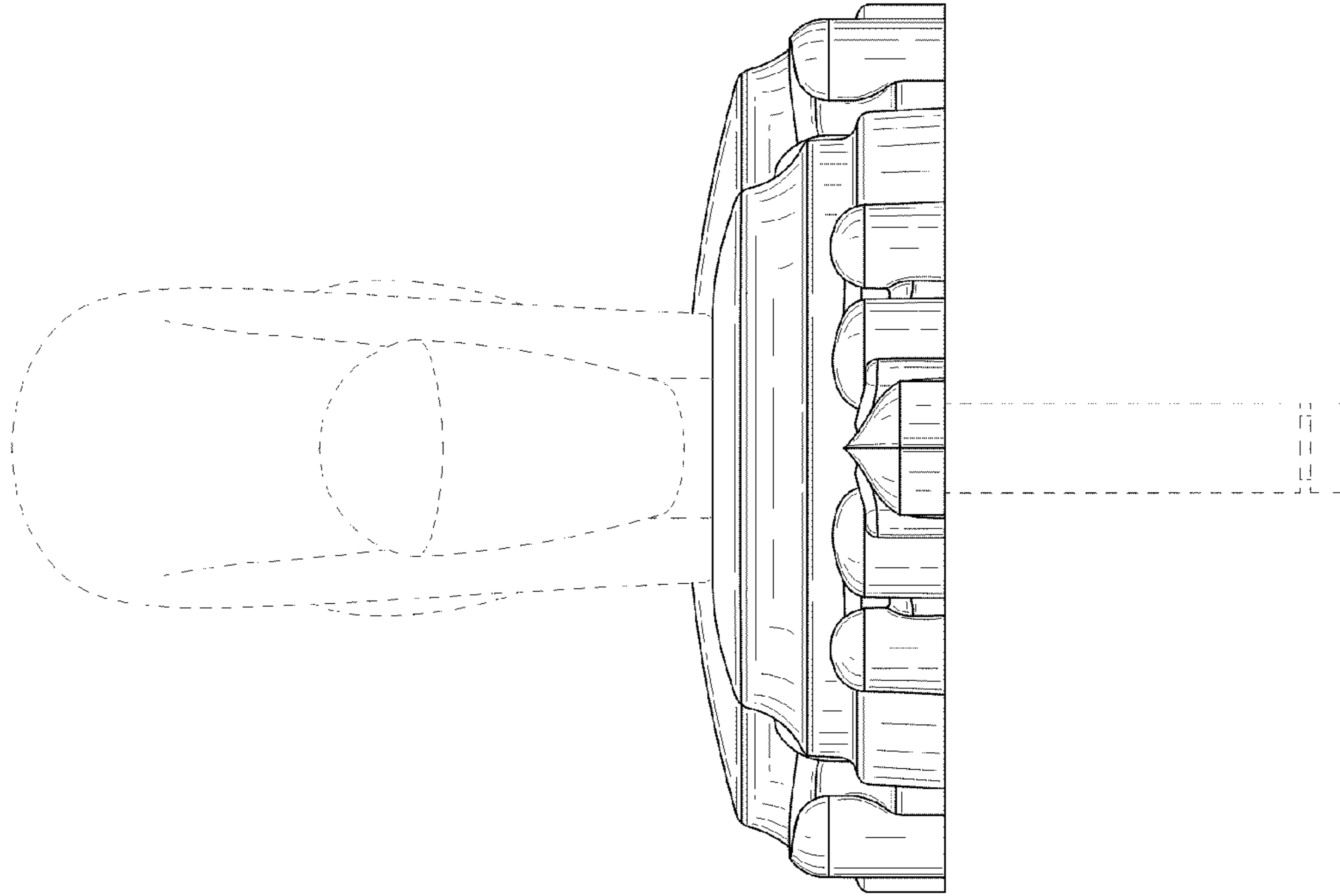


FIG. 6

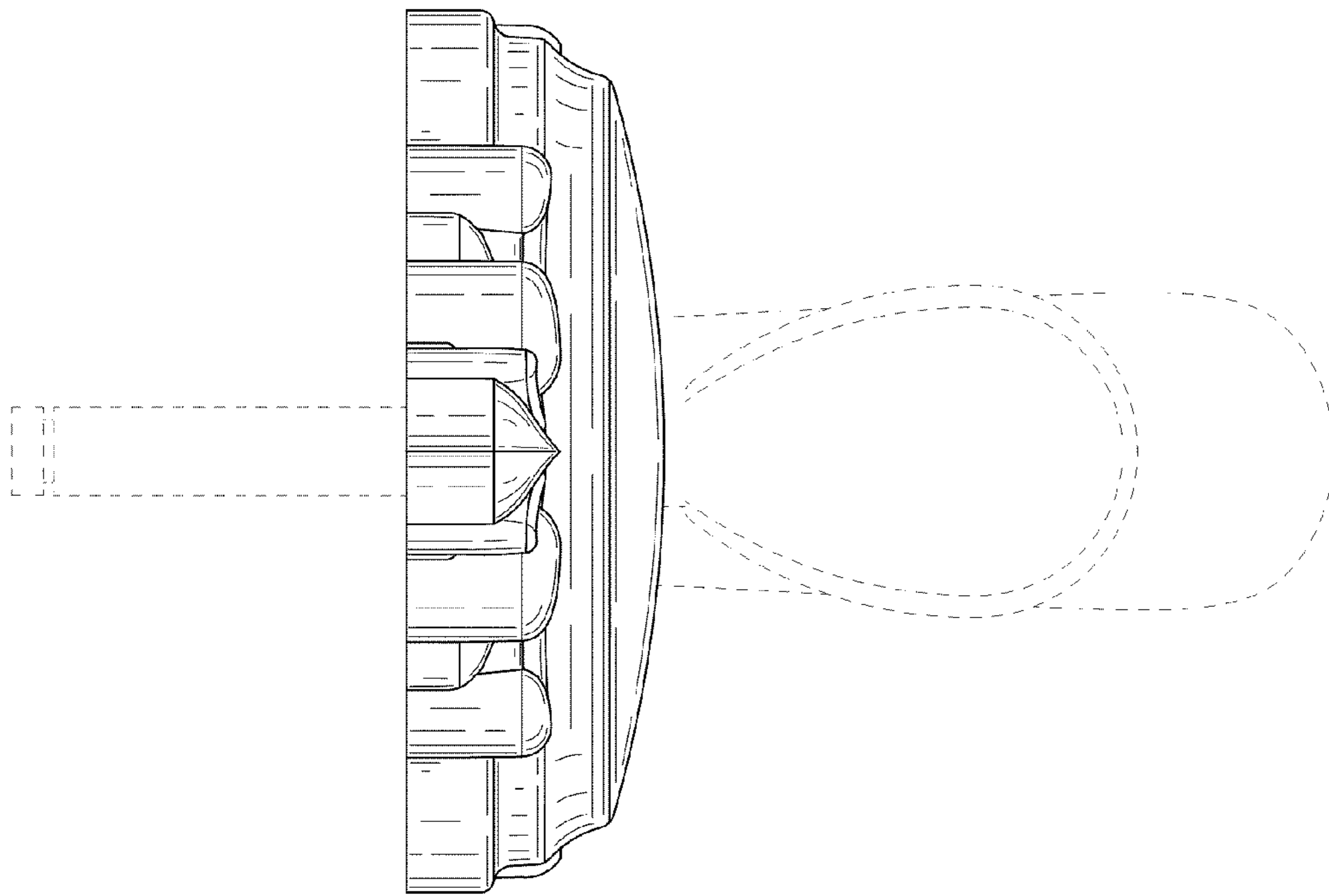
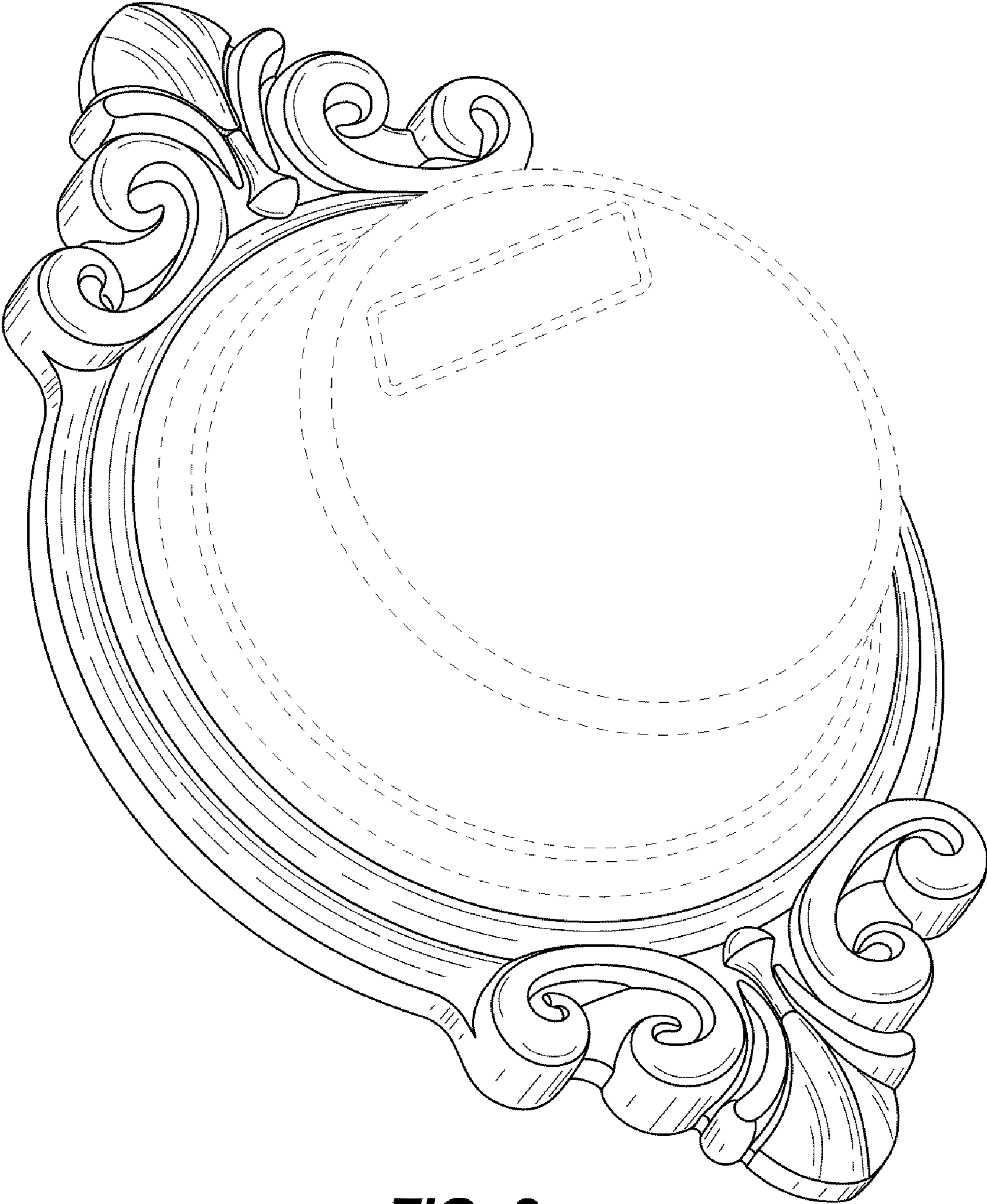
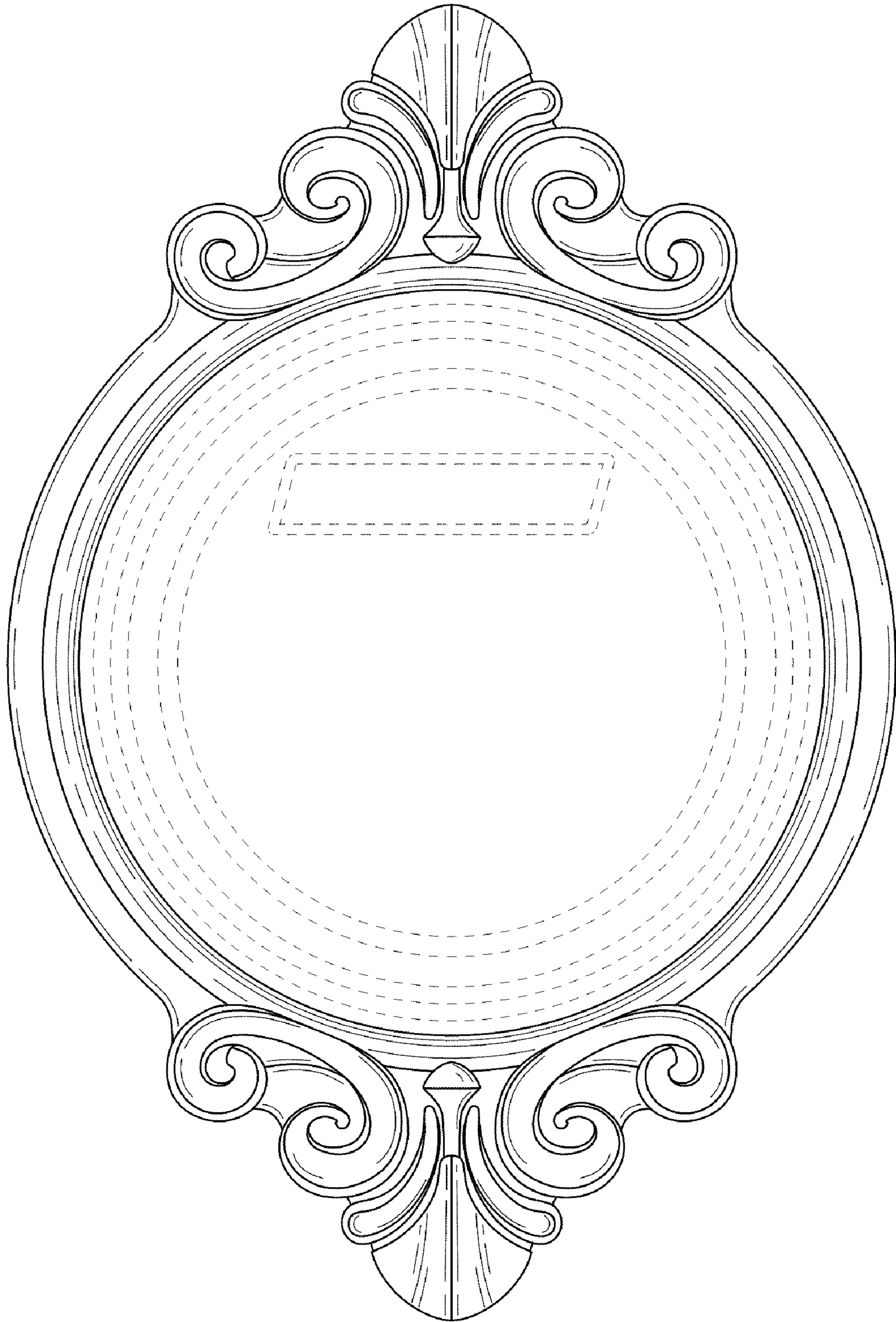


FIG. 7

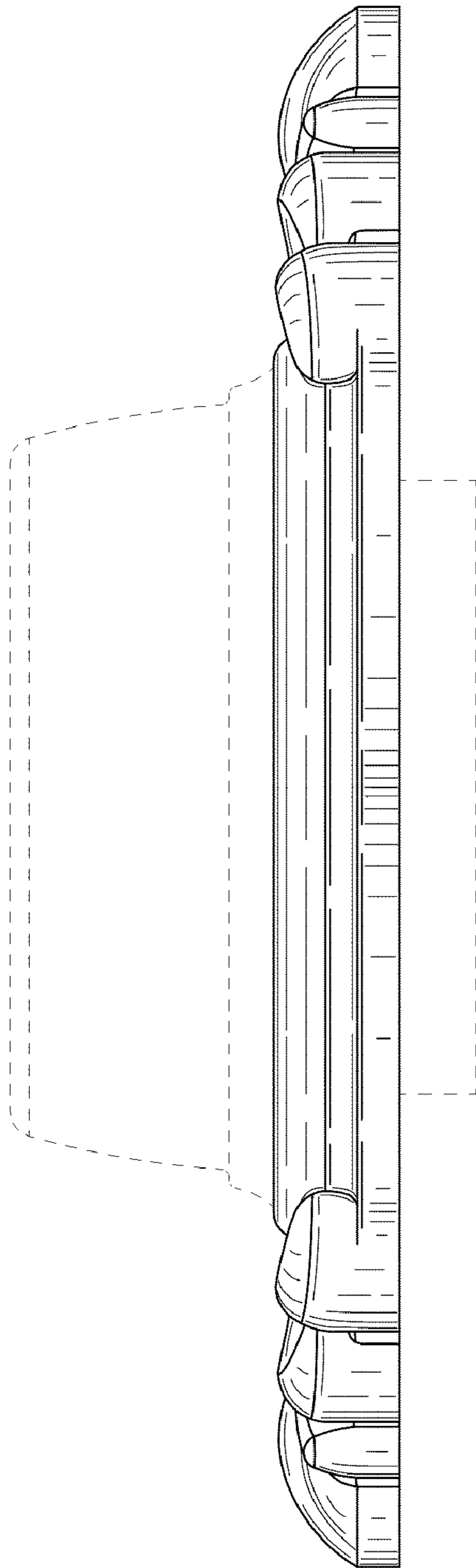


**FIG. 8**

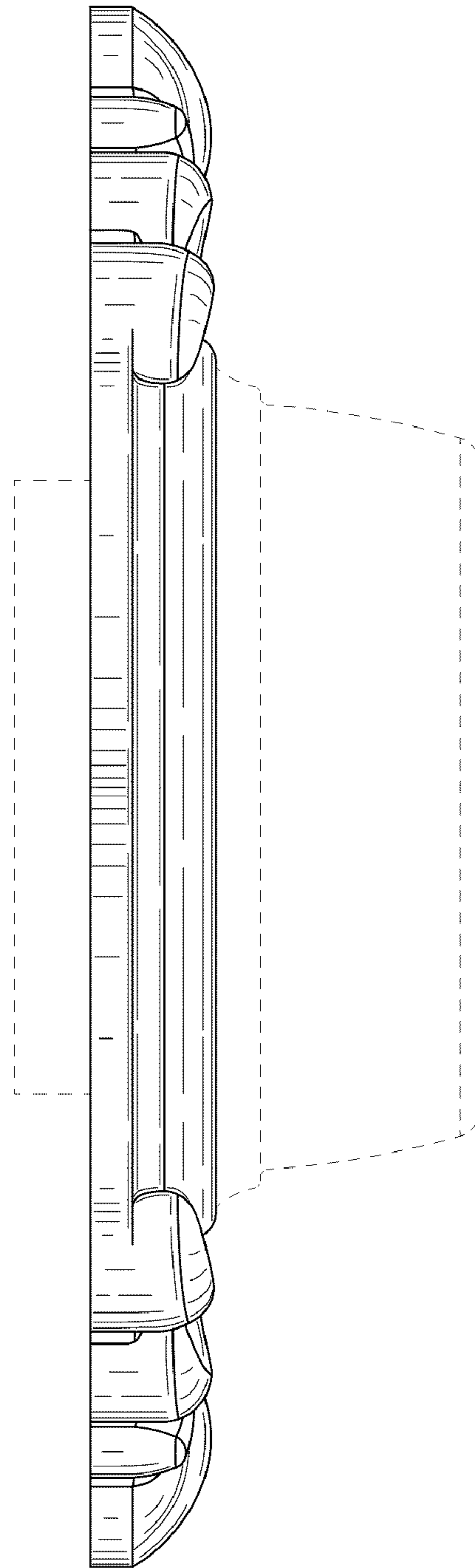




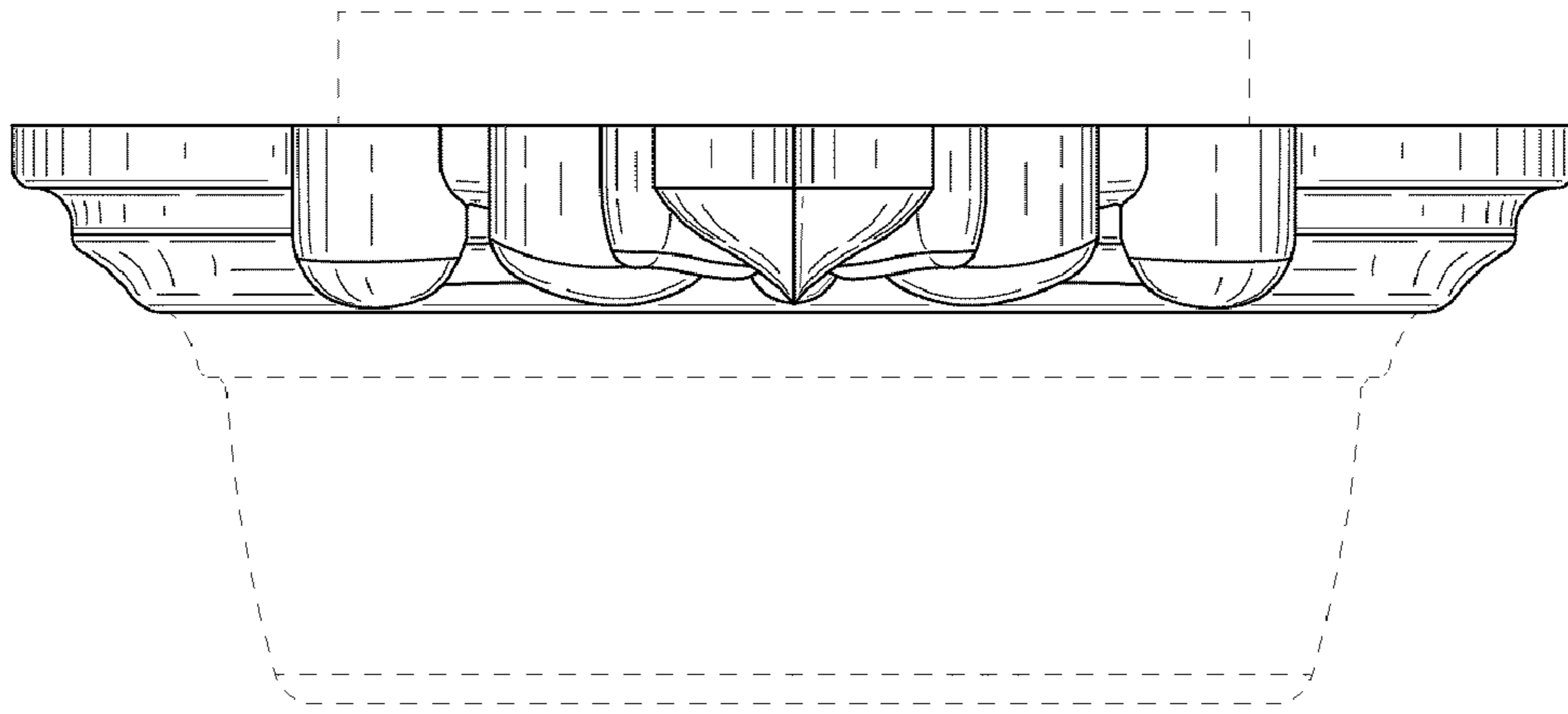
**FIG. 9**



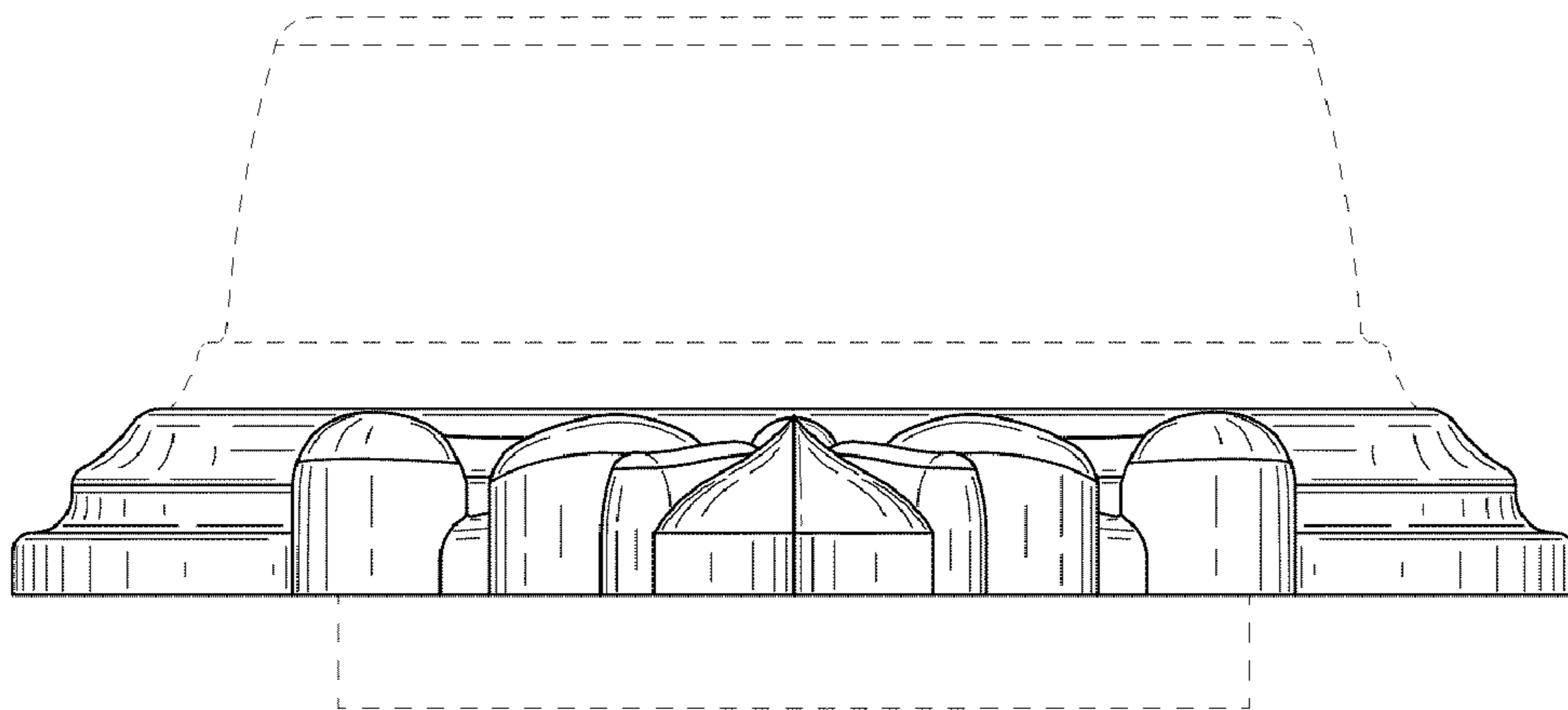
**FIG. 10**



**FIG. 11**



**FIG. 12**



**FIG. 13**