



US00D642041S

(12) **United States Design Patent**
Edwards

(10) **Patent No.:** **US D642,041 S**

(45) **Date of Patent:** **** Jul. 26, 2011**

(54) **FURNITURE LIFT**

(75) Inventor: **Donald V. Edwards**, Harrison City, PA (US)

(73) Assignee: **Simtec, Co.**, Irwin, PA (US)

(**) Term: **14 Years**

(21) Appl. No.: **29/370,858**

(22) Filed: **Sep. 14, 2010**

(51) **LOC (9) Cl.** **08-05**

(52) **U.S. Cl.** **D8/88**

(58) **Field of Classification Search** D3/14,
D3/51, 88; D34/12, 26, 28; 294/167, 169;
254/8 R

See application file for complete search history.

(56) **References Cited**

U.S. PATENT DOCUMENTS

1,340,150	A *	5/1920	Bruhn	254/8 R
2,262,918	A *	11/1941	Brown	294/169
2,859,012	A *	11/1958	Oleson et al.	254/8 R
D228,895	S *	10/1973	Manning	D24/166
D241,925	S *	10/1976	Adams	D34/26
D245,595	S *	8/1977	Johnson	D34/26
D318,356	S *	7/1991	Minasian	D34/26
5,459,897	A *	10/1995	Wurdack	7/166

D410,785	S *	6/1999	Leasure et al.	D34/24
D480,194	S *	9/2003	Tsai	D34/12
2005/0211961	A1 *	9/2005	Edwards	254/25

OTHER PUBLICATIONS

EZ Move. Downloaded Mar. 8, 2011 at <http://www.thesimtecstore.com/ezmovesfurniturelifter.aspx>.*

* cited by examiner

Primary Examiner — Phillip S Hyder

Assistant Examiner — Roselynn Ulm Cody

(74) *Attorney, Agent, or Firm* — Carothers & Carothers

(57) **CLAIM**

The ornamental design for a furniture lift, as shown and described.

DESCRIPTION

FIG. 1 is a perspective view of a furniture lift showing my new design;

FIG. 2 is a front view thereof;

FIG. 3 is a rear view thereof;

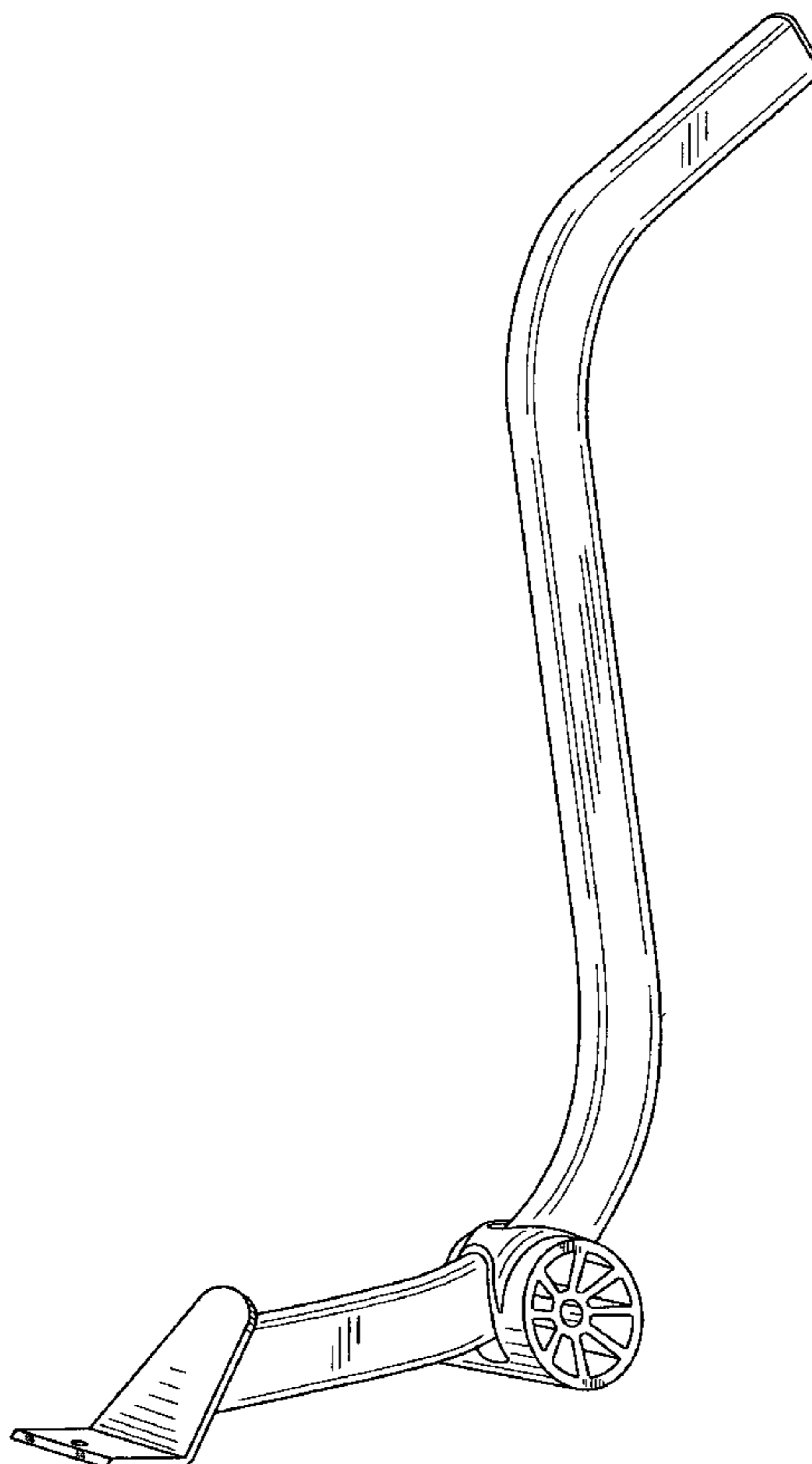
FIG. 4 is a left side view thereof;

FIG. 5 is a right side view thereof;

FIG. 6 is a top view thereof; and,

FIG. 7 is a bottom view thereof.

1 Claim, 5 Drawing Sheets



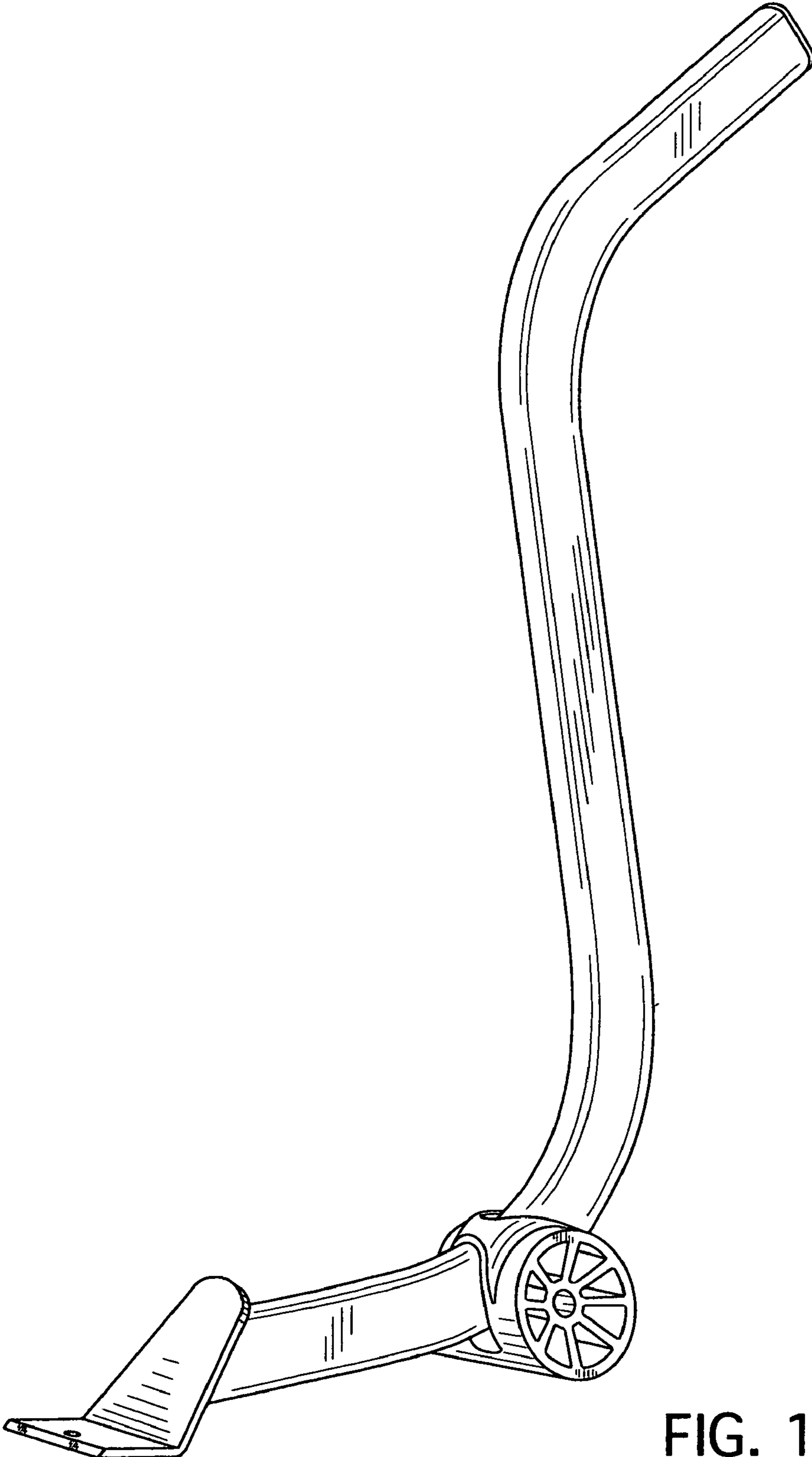


FIG. 1

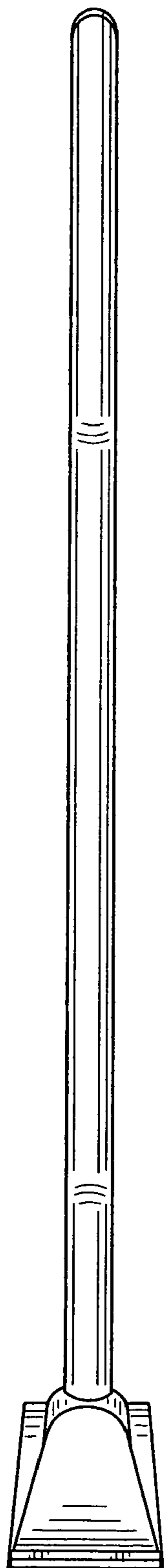


FIG. 2

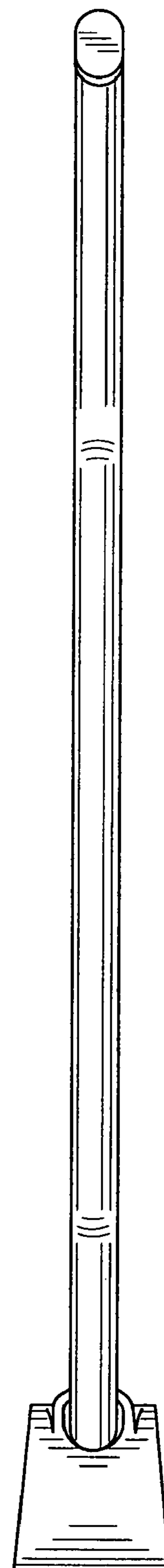


FIG. 3

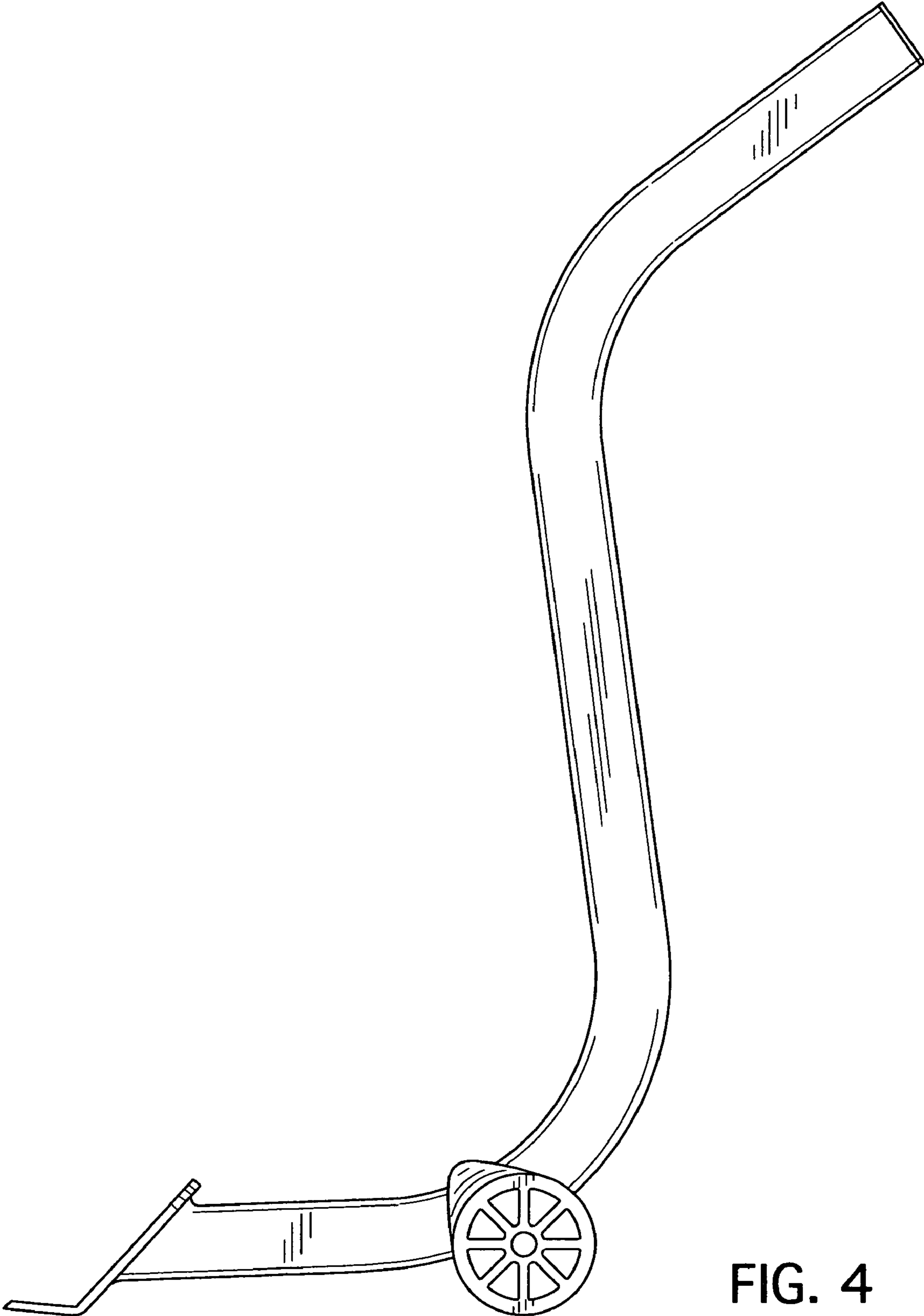


FIG. 4

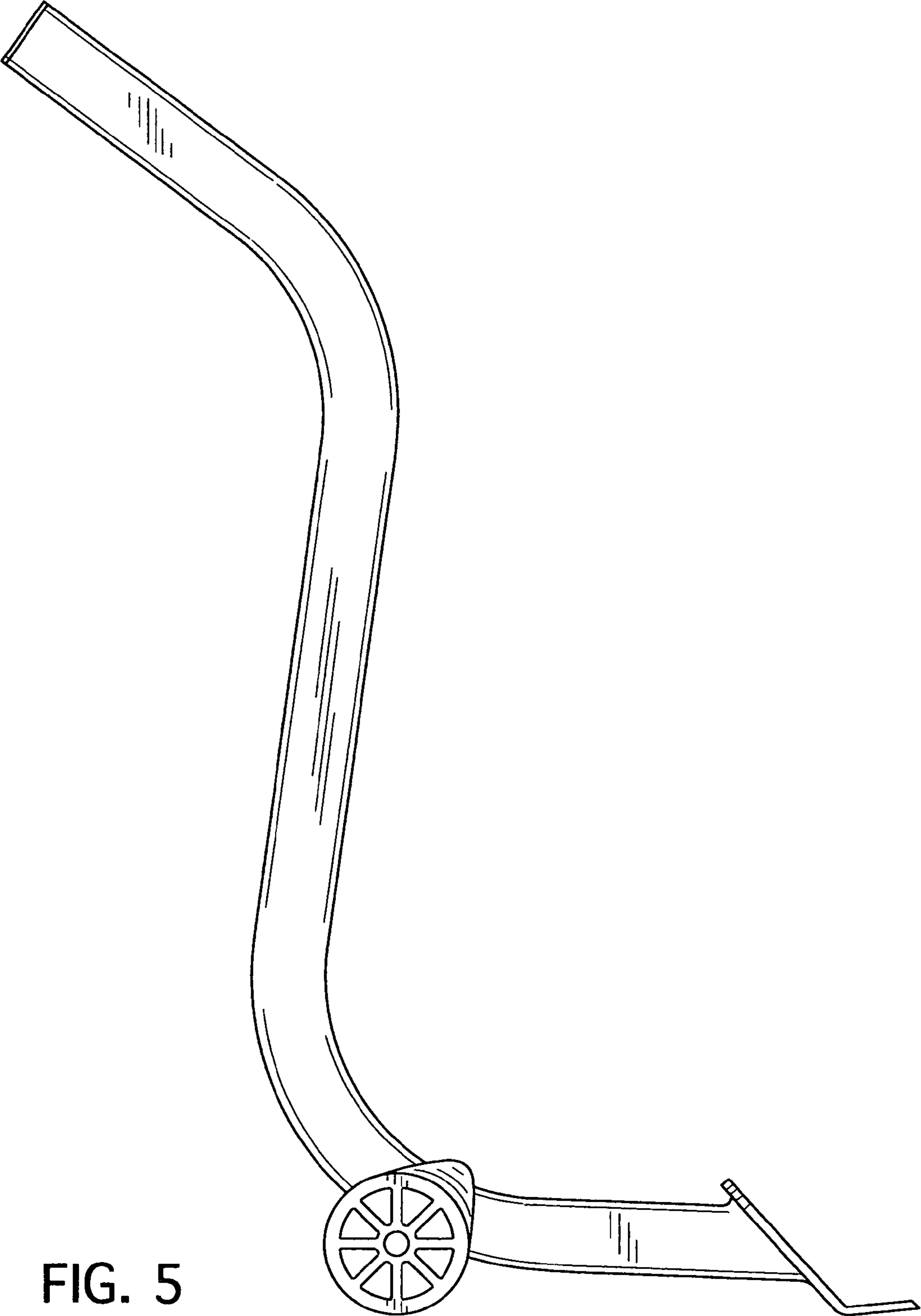


FIG. 5

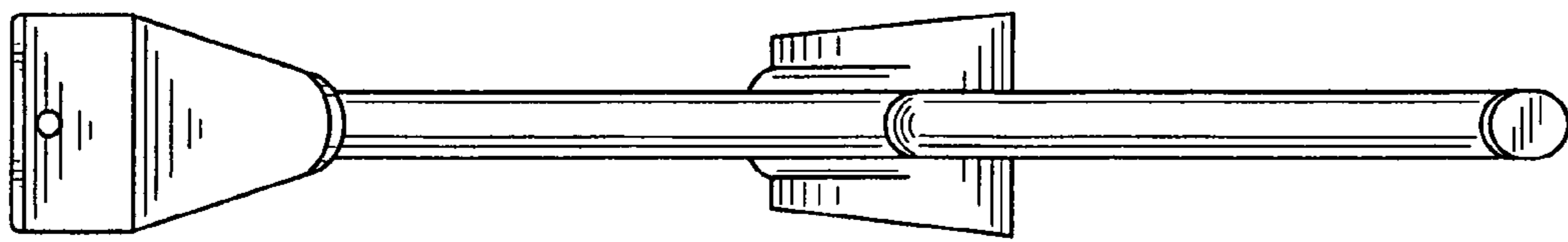


FIG. 6

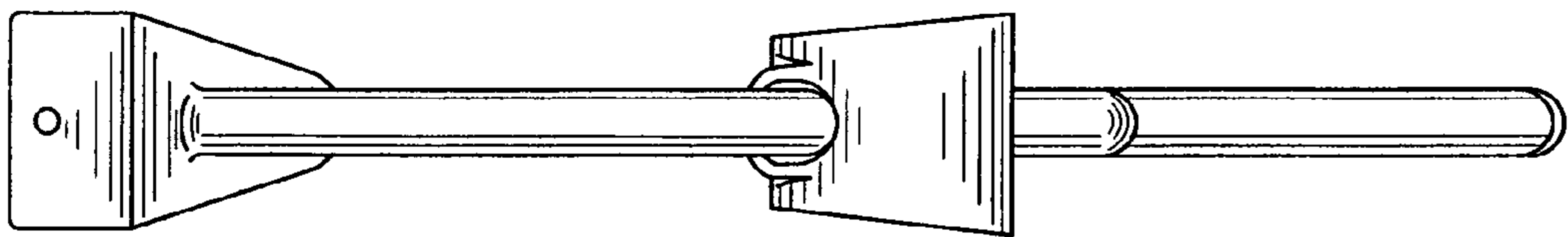


FIG. 7