



US00D642039S

(12) **United States Design Patent**
Forsberg et al.

(10) **Patent No.:** **US D642,039 S**

(45) **Date of Patent:** **** Jul. 26, 2011**

(54) **HOLDER FOR TOOLS AND PIPES**

(75) Inventors: **Bengt Forsberg**, Forsheda (SE);
Joachim Wenström, Ankarsrum (SE);
Peter Nilsson, Västervik (SE)

(73) Assignee: **Delex Teknik AB** (SE)

(**) Term: **14 Years**

(21) Appl. No.: **29/318,466**

(22) Filed: **May 20, 2008**

(51) **LOC (9) Cl.** **08-05**

(52) **U.S. Cl.** **D8/72**

(58) **Field of Classification Search** D8/71-74,
D8/394-399, 354, 355, 356, 59, 330, 387;
248/62, 63, 72, 74.1, 689, 124.2; 81/487;
269/3, 4, 6, 143, 165, 240, 243, 246-249,
269/254 R, 147-149, 97-100, 900, 45, 76,
269/282; 29/256, 257, 276, 283; D15/140;
D24/143, 140

See application file for complete search history.

(56) **References Cited**

U.S. PATENT DOCUMENTS

D265,170 S *	6/1982	Zukaitis	D8/356
4,403,378 A *	9/1983	Engman	D8/396
D332,939 S *	2/1993	McDonough, Jr.	D8/396
D333,087 S *	2/1993	Tekirian	D8/394
D342,005 S *	12/1993	Forsberg	D8/72
D366,606 S *	1/1996	Nakamura	D8/356
D371,497 S *	7/1996	Cottone	D8/72
D375,440 S *	11/1996	Yoder et al.	D8/73

D392,171 S *	3/1998	Miller	D8/72
D423,330 S *	4/2000	Potter et al.	D8/356
D424,410 S *	5/2000	Lodi	D8/356
6,752,359 B2 *	6/2004	Nagenkogl et al.	248/72
7,523,898 B1 *	4/2009	Barry et al.	248/74.1

* cited by examiner

Primary Examiner — David Muller

(74) *Attorney, Agent, or Firm* — Schwegman, Lundberg & Woessner, P.A.

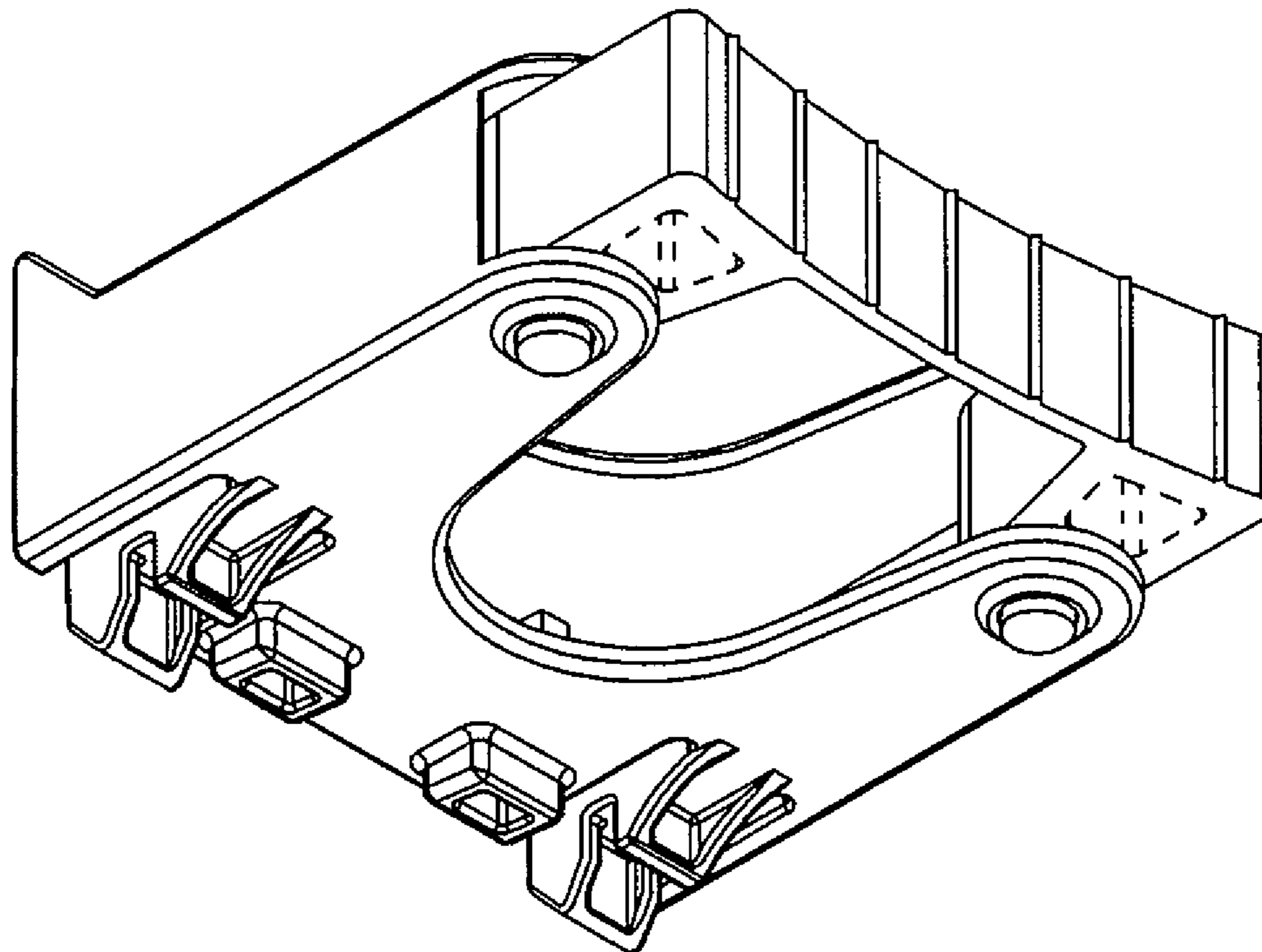
(57) **CLAIM**

The ornamental design for a holder for tools and pipes, as shown and described.

DESCRIPTION

FIG. 1 is a bottom, left, front perspective view of the holder for tools and pipes according to our design;
FIG. 2 is a top, plan view thereof;
FIG. 3 is a right side view thereof;
FIG. 4 is a left side view thereof;
FIG. 5 is front view thereof;
FIG. 6 is a rear view thereof, with the broken lines being portions of the holder for tools and pipes that form no part of the claimed design; and,
FIG. 7 is a bottom, plan view thereof.
The broken line showings are included for the purpose of illustrating environment and form no part of the claimed design.

1 Claim, 4 Drawing Sheets



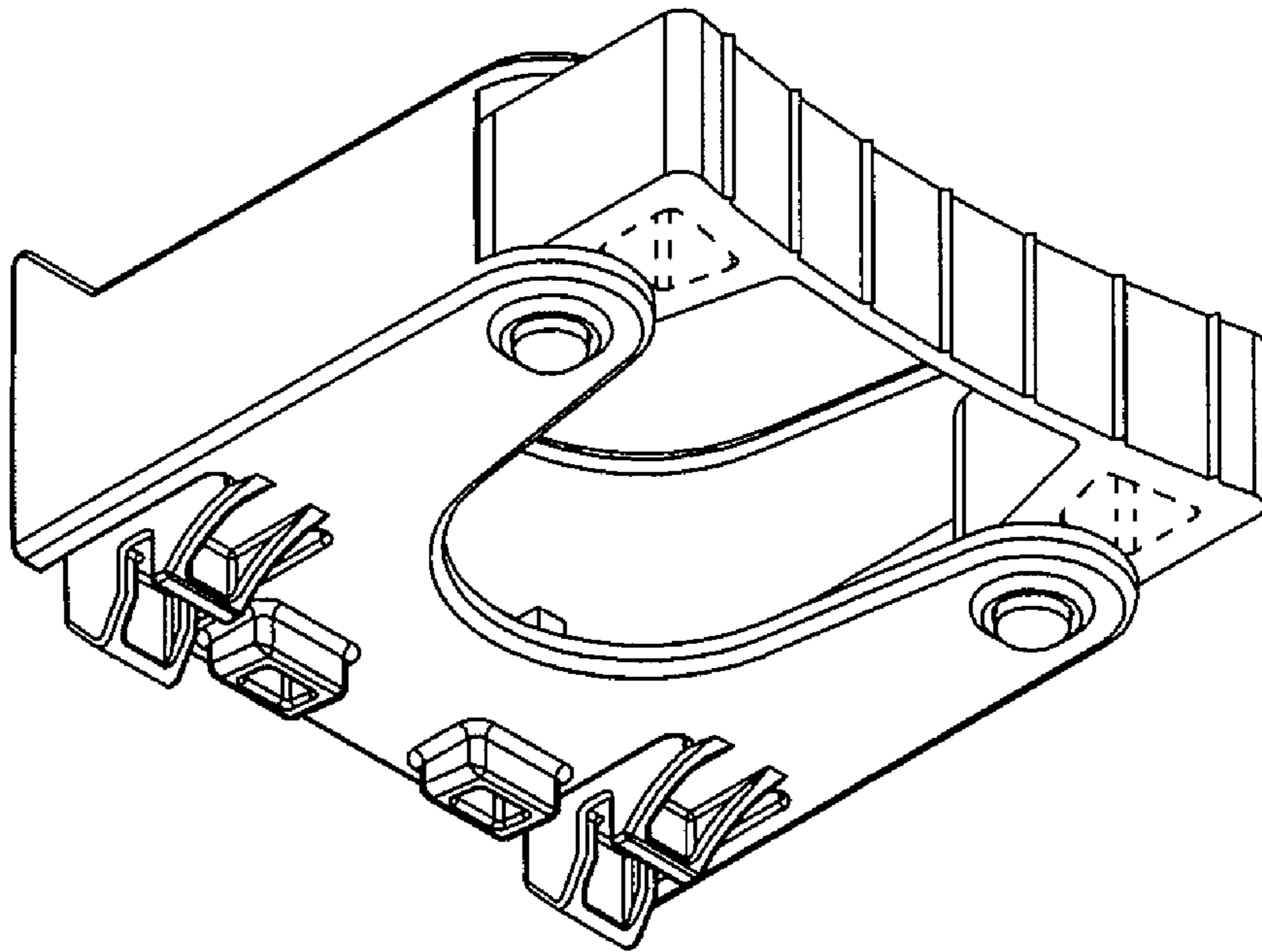


Fig.1

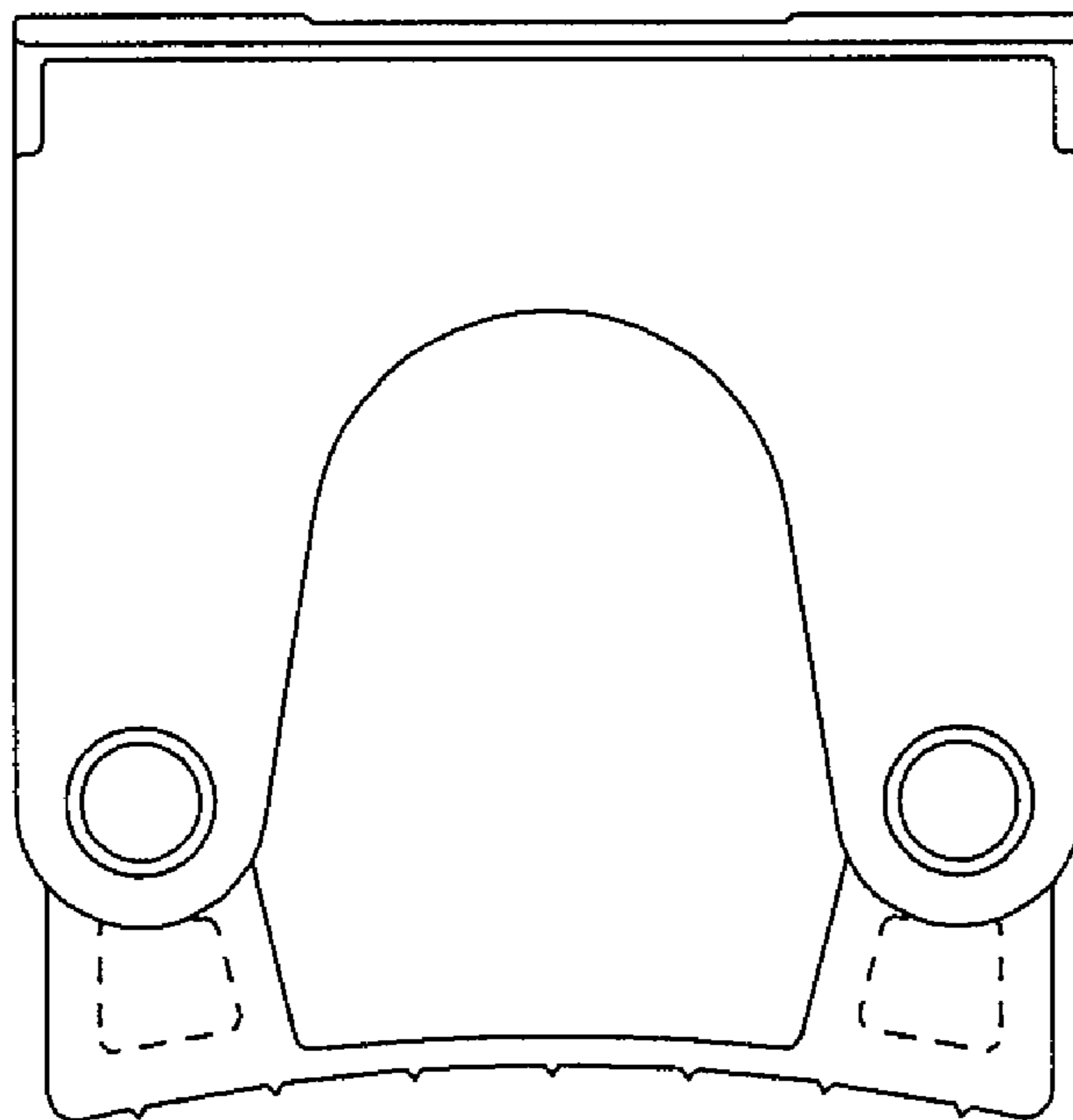


Fig.2

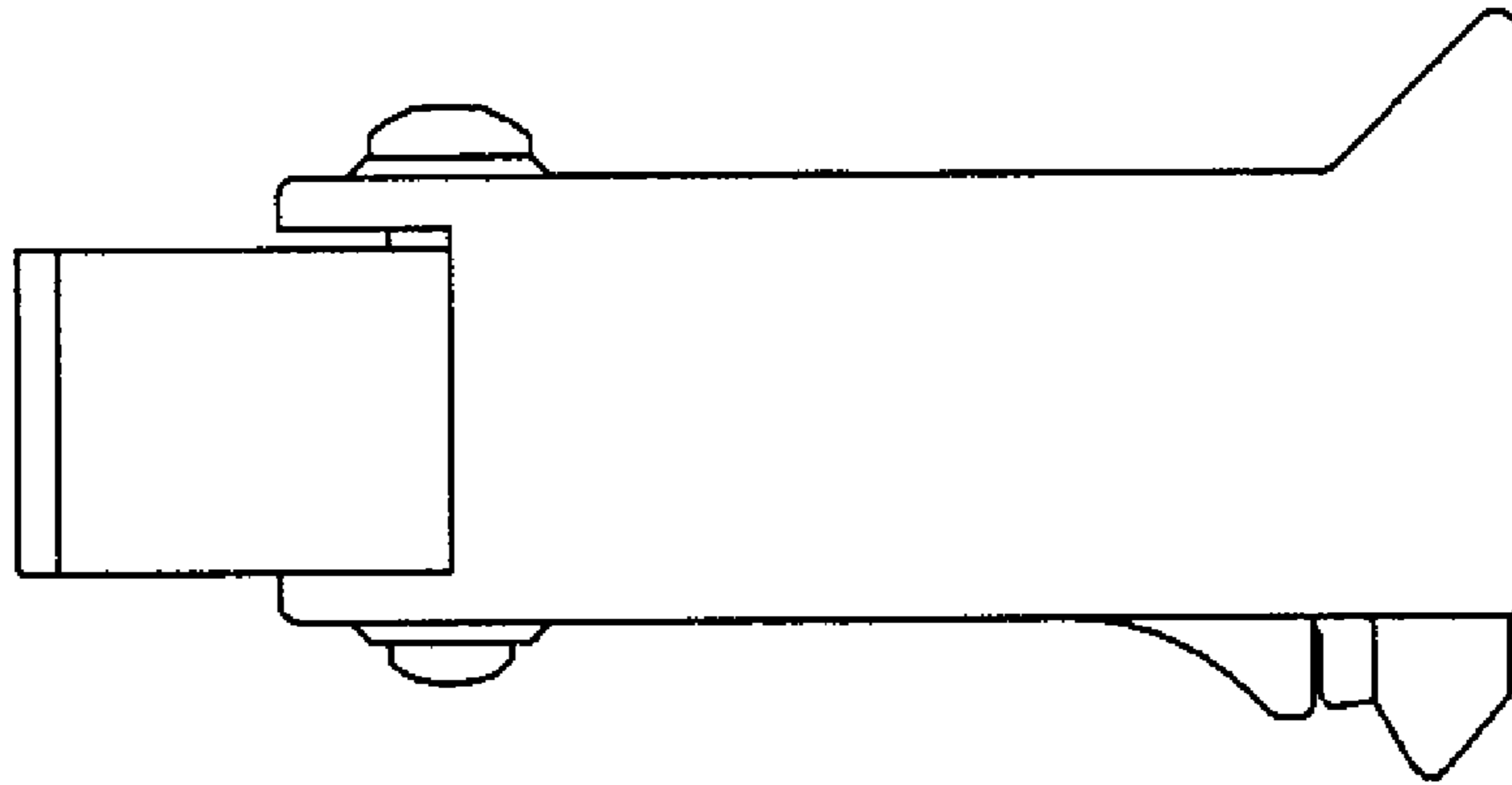


Fig.3

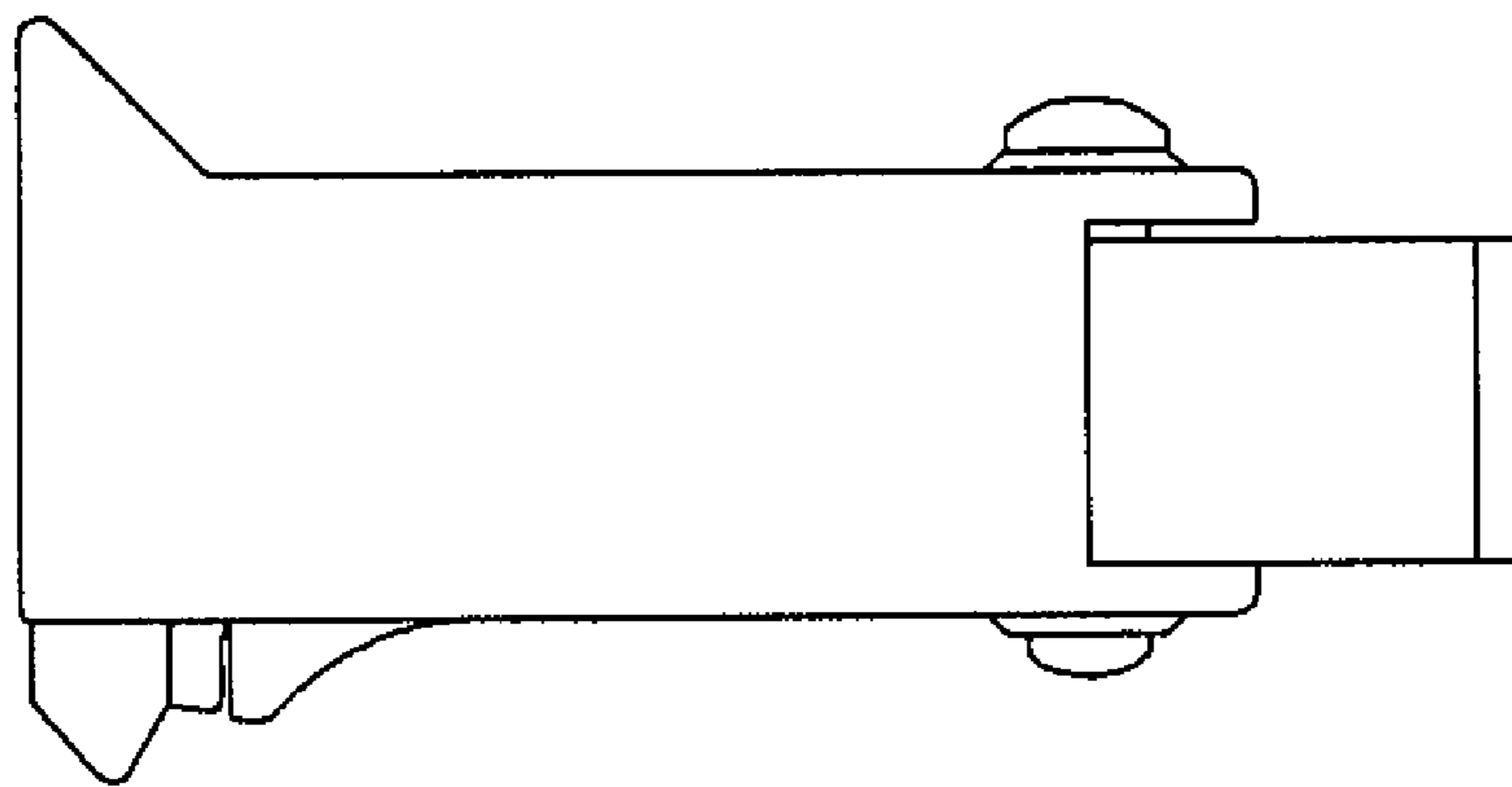


Fig.4

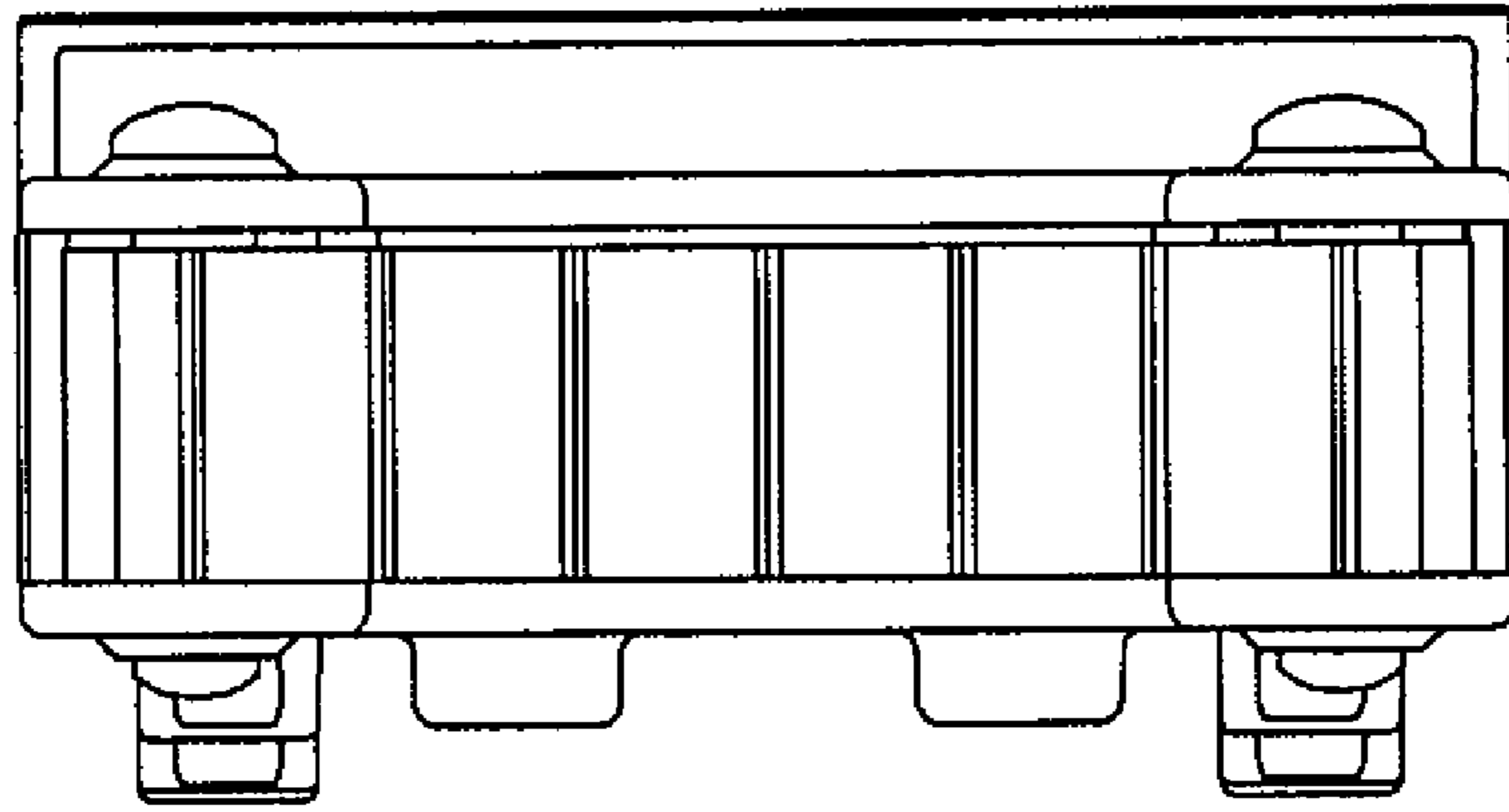


Fig.5

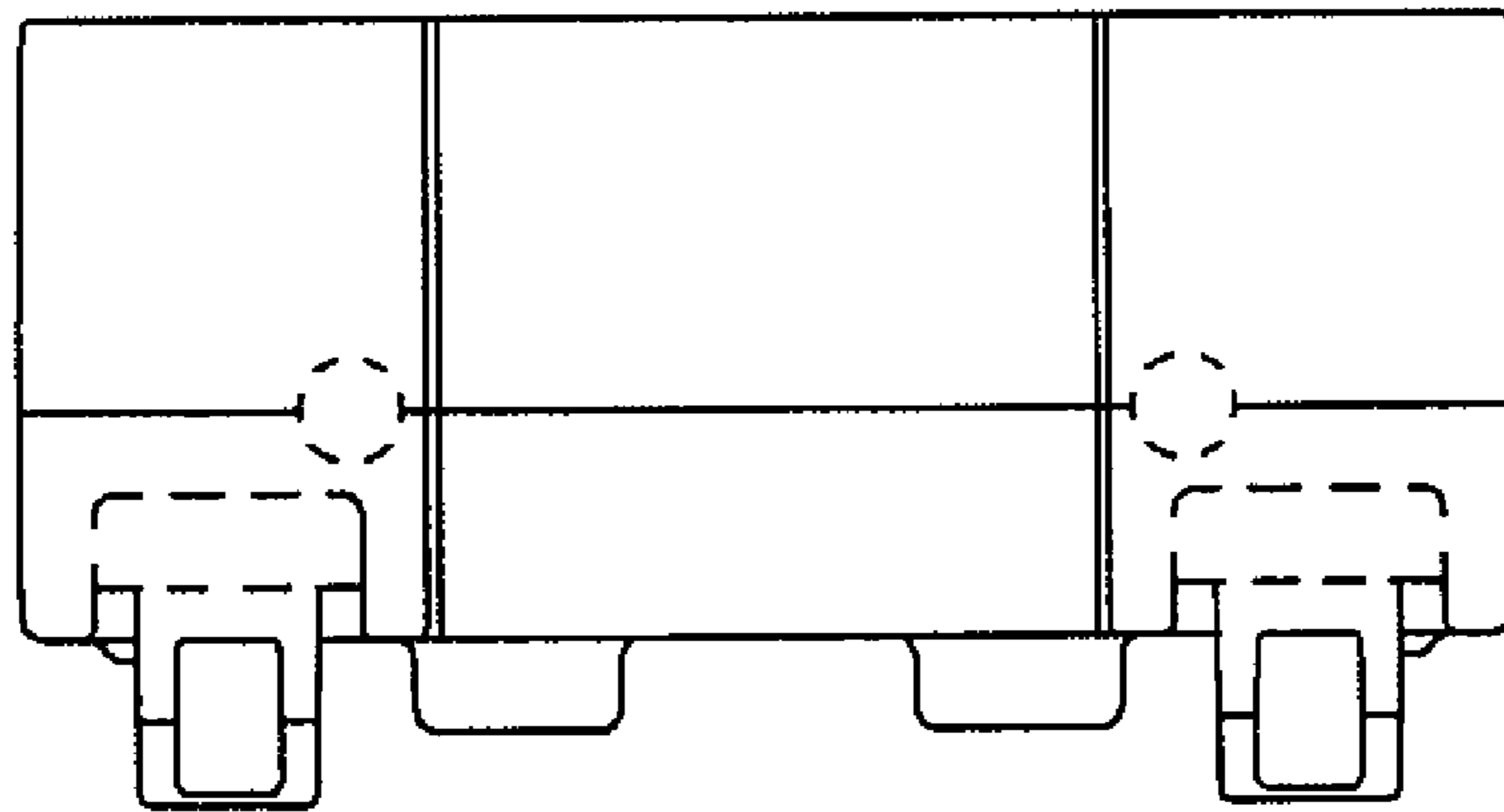


Fig.6

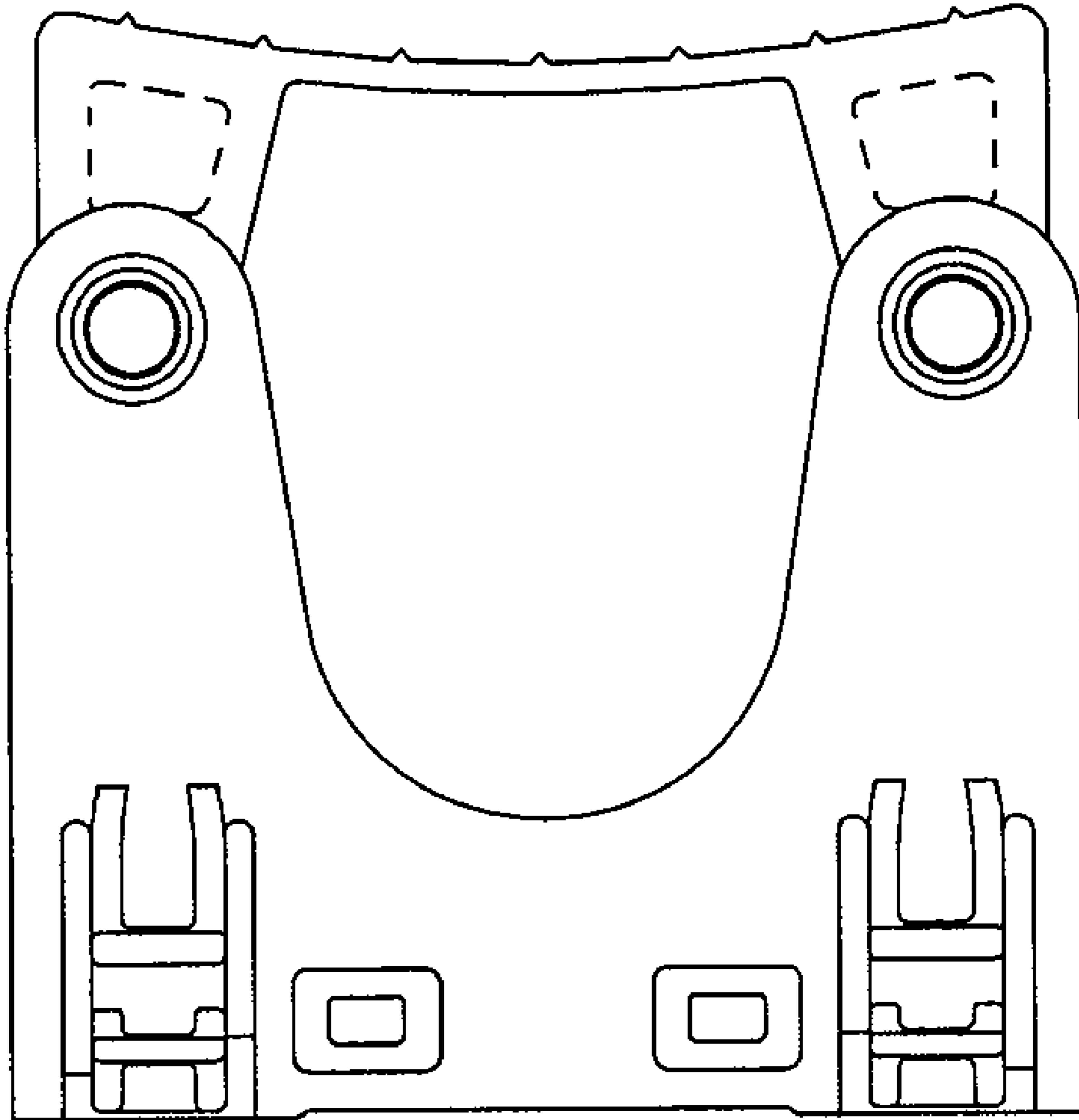


Fig.7