



US00D642038S

(12) **United States Design Patent**
Murray

(10) **Patent No.:** **US D642,038 S**
(45) **Date of Patent:** **** Jul. 26, 2011**

(54) **DRILL**

(75) Inventor: **Thomas W. Murray**, Baltimore, MD
(US)

(73) Assignee: **Black & Decker Inc.**, Newark, DE (US)

(**) Term: **14 Years**

(21) Appl. No.: **29/368,781**

(22) Filed: **Aug. 30, 2010**

(51) **LOC (9) Cl.** **08-04**

(52) **U.S. Cl.** **D8/68**

(58) **Field of Classification Search** D8/61-70;
81/57.11, 429, 454-456, 469, 489; 173/13,
173/46, 104, 114, 167-173, 178, 201, 211,
173/213, 214, 217, 198; 227/8, 113, 114,
227/120, 130, 136, 142; 310/50; 408/20,
408/35, 117, 124, 125, 234, 241 R, 58, 67;
451/358; 7/158, 165

See application file for complete search history.

(56) **References Cited**

U.S. PATENT DOCUMENTS

D470,028 S 2/2003 Cooper
D482,253 S 11/2003 Cooper et al.

D532,667 S * 11/2006 Tsai et al. D8/68
D577,272 S 9/2008 Murray et al.
D593,831 S 6/2009 Van Wambeke
D606,830 S 12/2009 Murray
D607,704 S 1/2010 Murray
D607,705 S 1/2010 Murray
D609,072 S 2/2010 Van Wambeke
D611,319 S * 3/2010 Van Wambeke et al. D8/68
D617,621 S * 6/2010 Houghton et al. D8/68
D626,394 S * 11/2010 Lopano D8/68

* cited by examiner

Primary Examiner — Antoine D Davis

(74) *Attorney, Agent, or Firm* — Stephen R. Valancius

(57) **CLAIM**

The ornamental design for a drill, as shown and described.

DESCRIPTION

FIG. 1 is a perspective view of a drill according to the present invention;

FIG. 2 is a front view of the drill of FIG. 1;

FIG. 3 is a back view of the drill of FIG. 1;

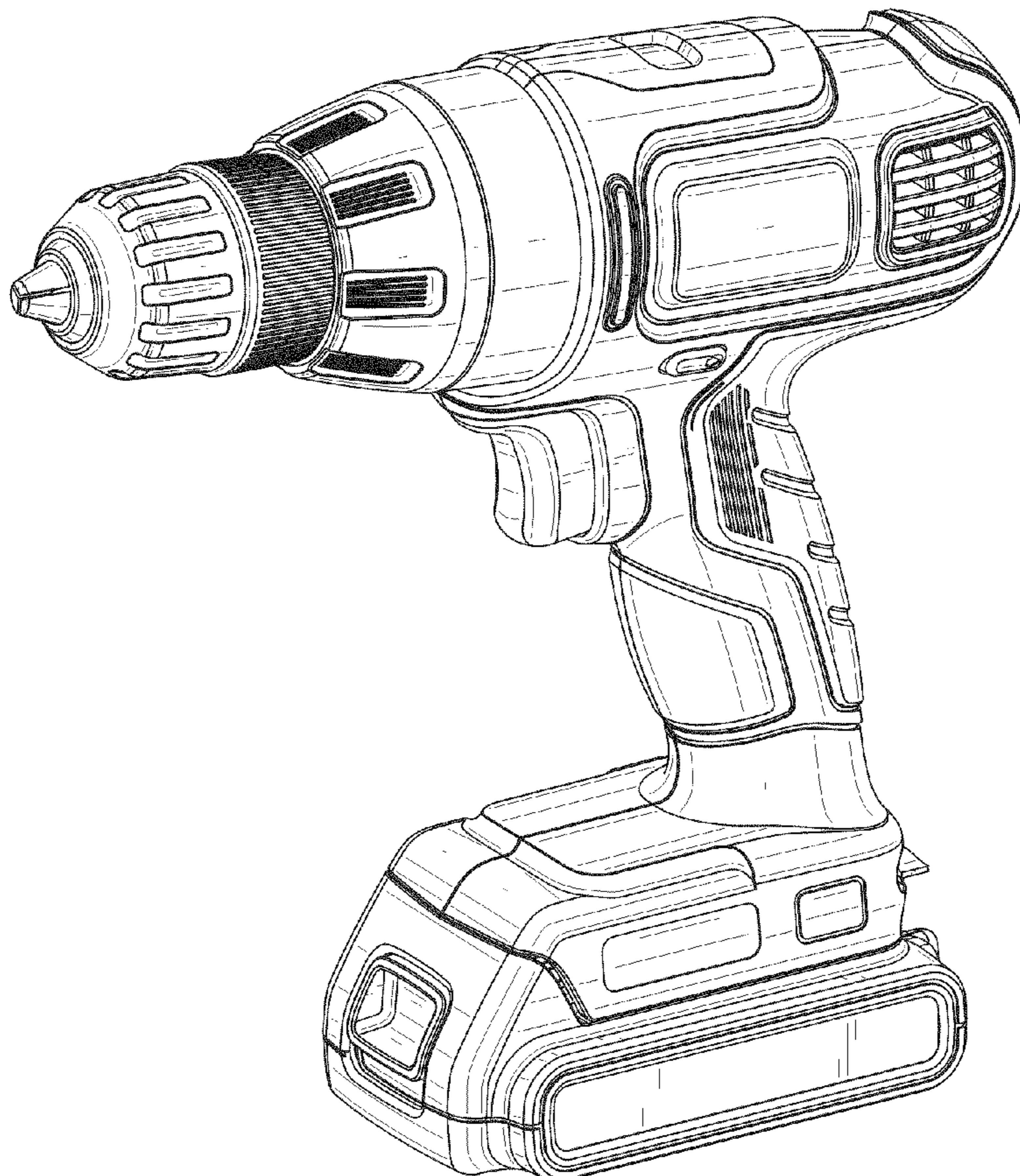
FIG. 4 is a right side view of the drill of FIG. 1;

FIG. 5 is a left side view of the drill of FIG. 1;

FIG. 6 is a top view of the drill of FIG. 1; and,

FIG. 7 is a bottom view of the drill of FIG. 1.

1 Claim, 5 Drawing Sheets



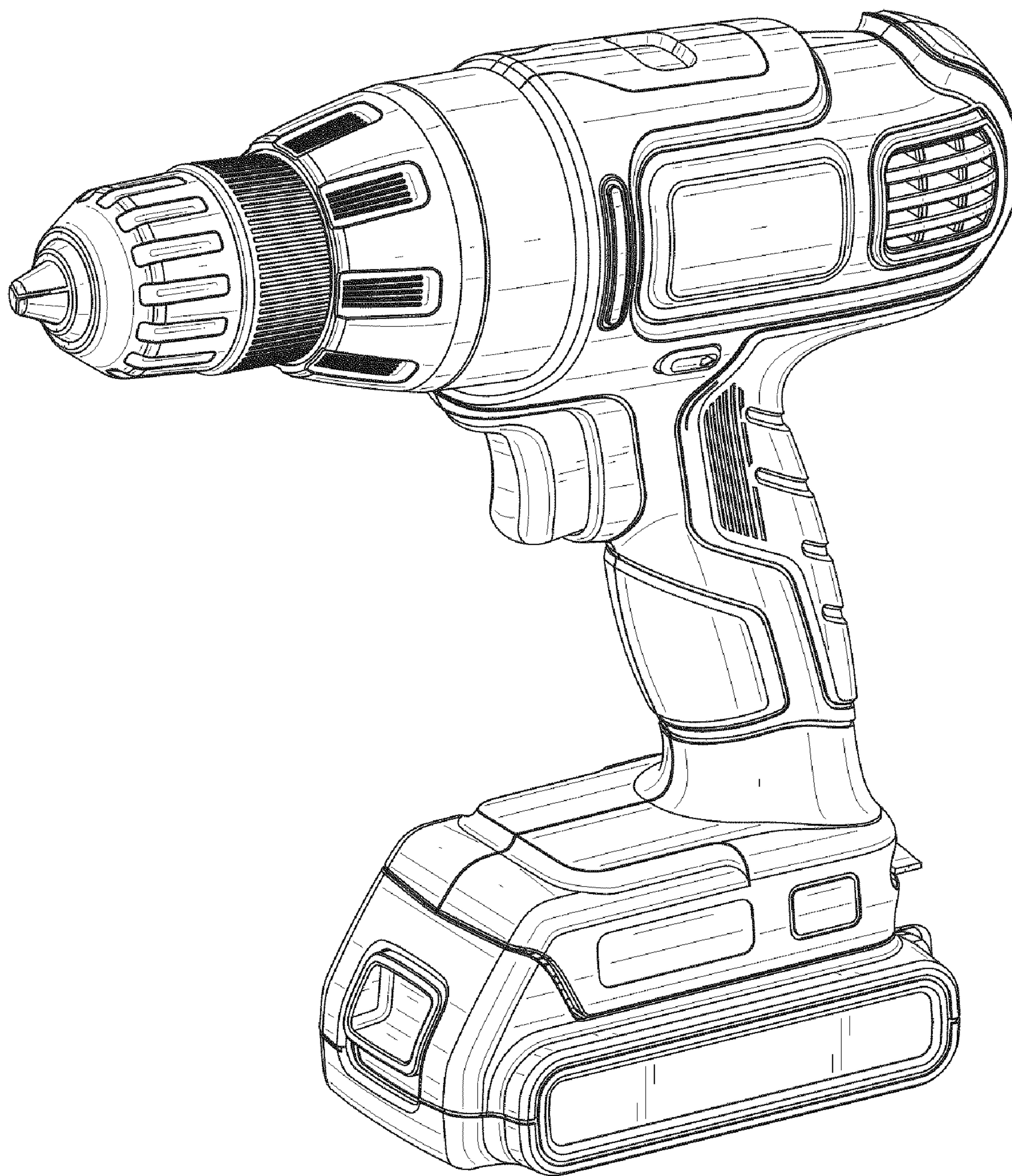


FIG. 1

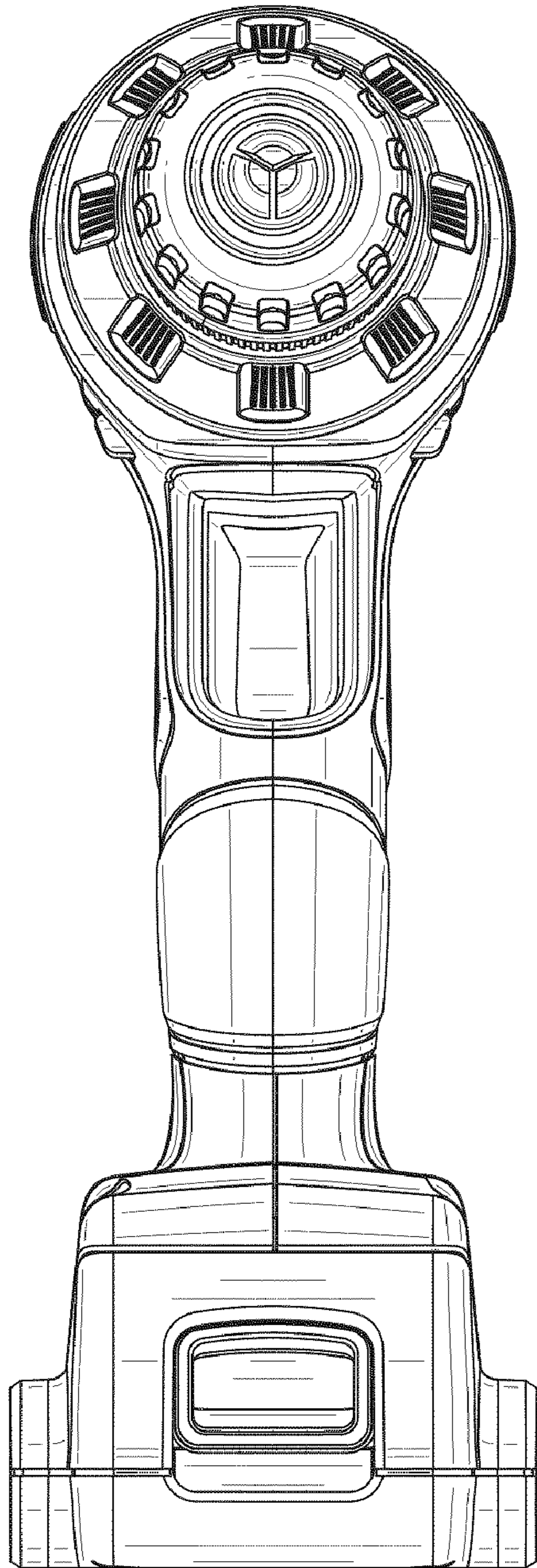


FIG. 2

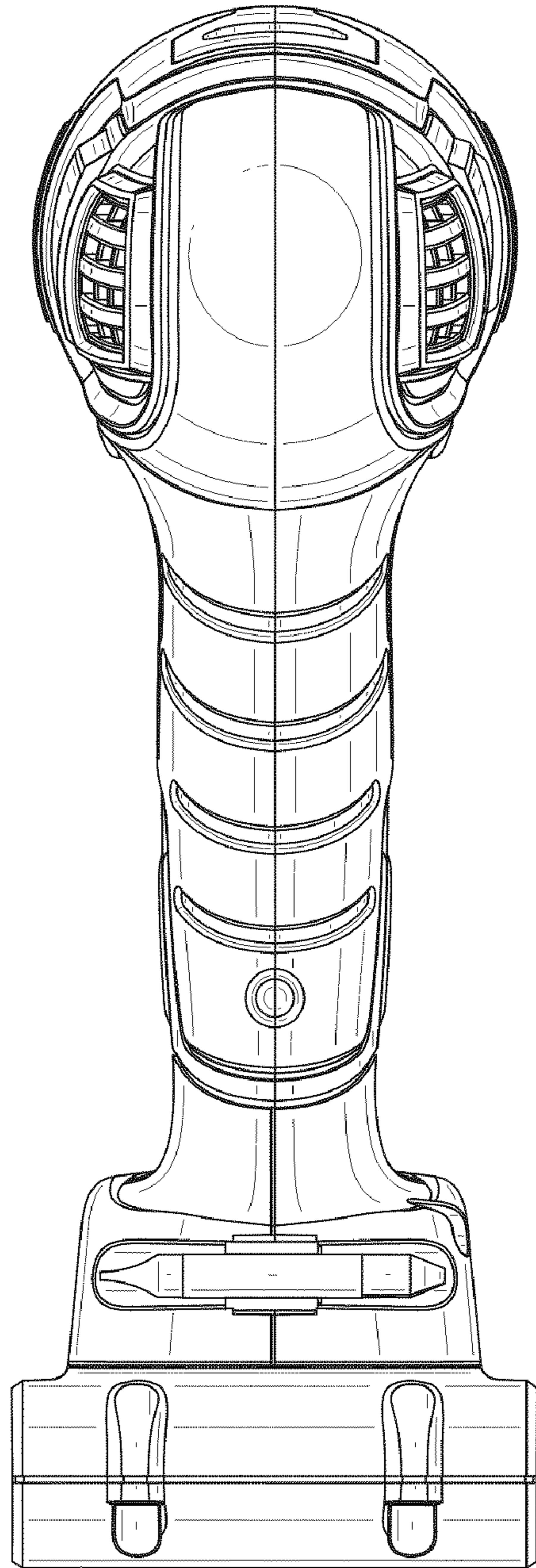


FIG. 3

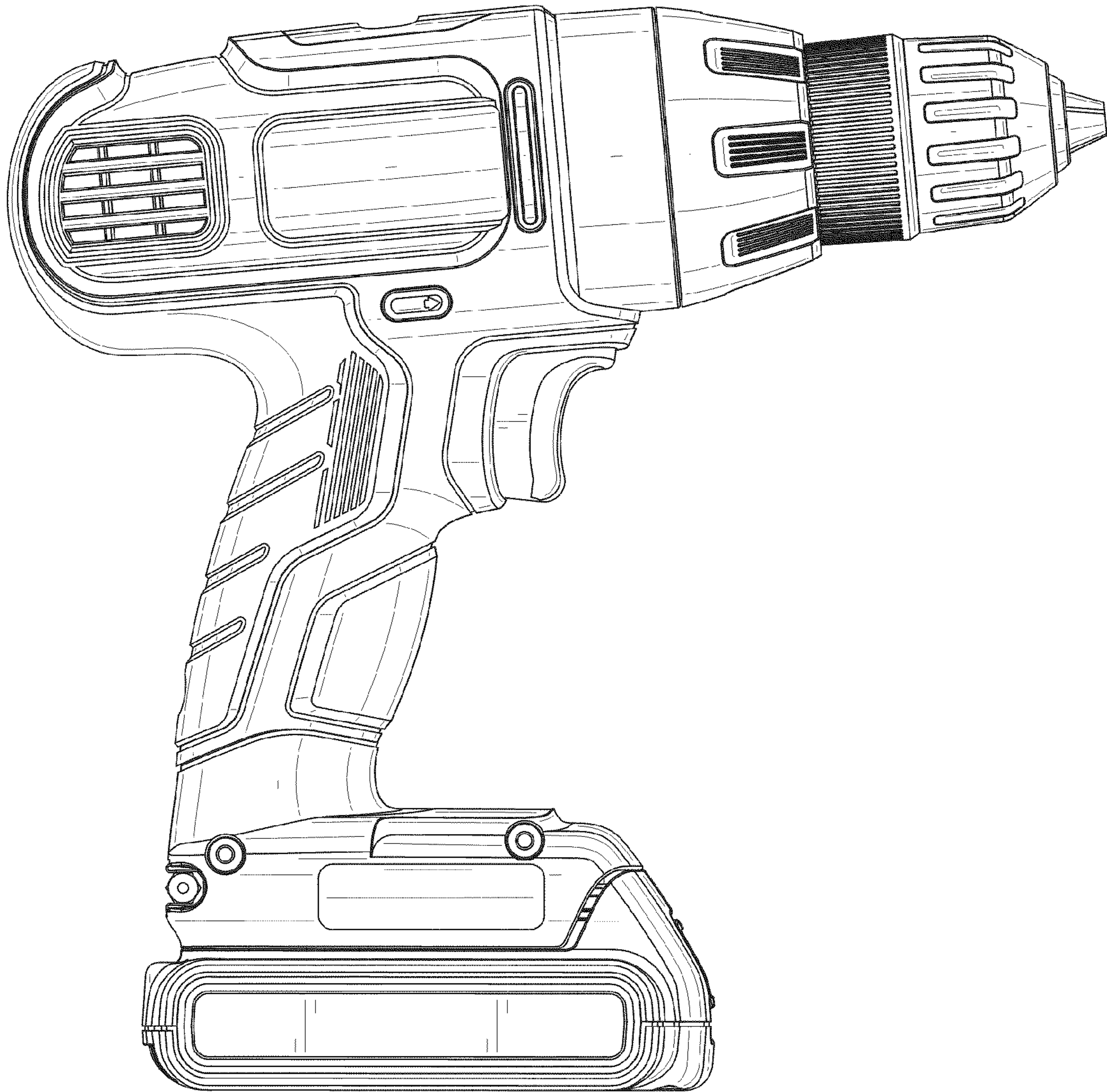


FIG. 4

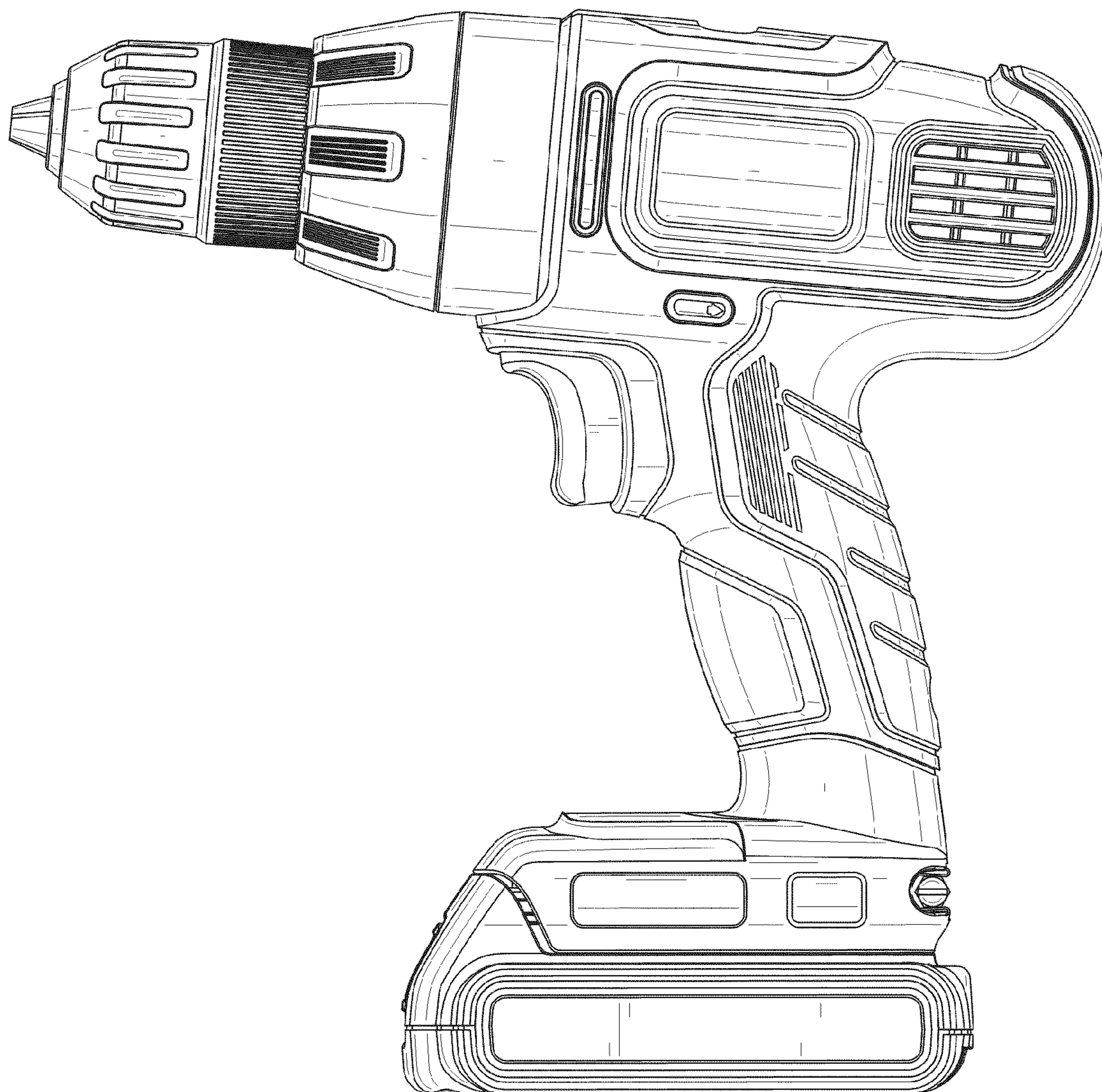


FIG. 5

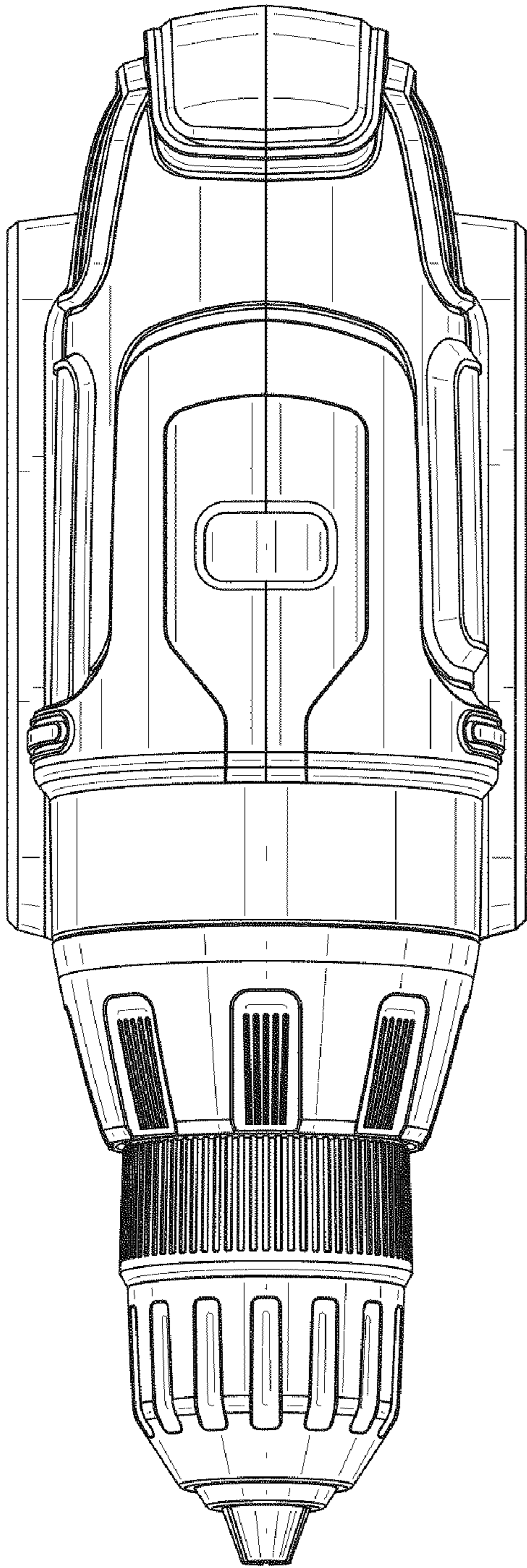


FIG. 6

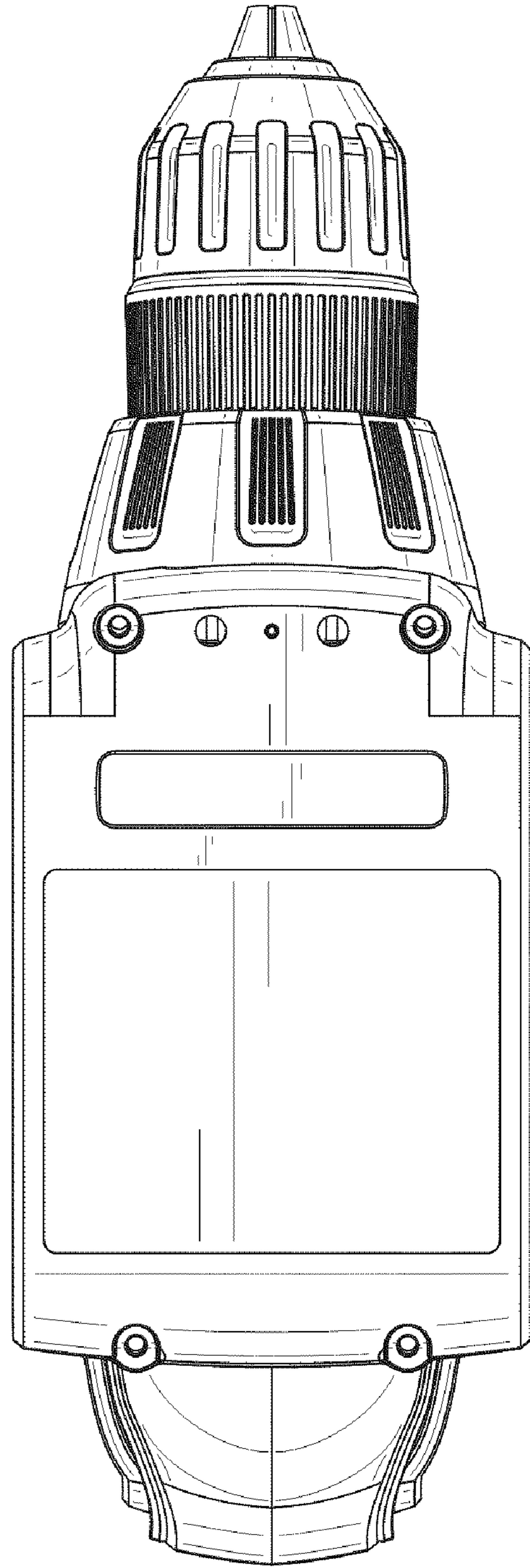


FIG. 7