



US00D642036S

(12) **United States Design Patent**  
**Miller et al.**

(10) **Patent No.:** **US D642,036 S**  
(45) **Date of Patent:** **\*\* Jul. 26, 2011**

(54) **DRILL**

(75) Inventors: **David A. Miller**, Baltimore, MD (US);  
**Jamie S. Munn**, Ontario (CA)

(73) Assignee: **Black & Decker Inc.**, Newark, DE (US)

(\*\*) Term: **14 Years**

(21) Appl. No.: **29/368,009**

(22) Filed: **Aug. 17, 2010**

(51) **LOC (9) Cl.** ..... **08-04**

(52) **U.S. Cl.** ..... **D8/68**

(58) **Field of Classification Search** ..... D8/61-70;  
81/57.11, 429, 454-456, 469, 489; 173/13,  
173/46, 104, 114, 167-173, 178, 201, 211,  
173/213, 214, 217, 198; 227/8, 113, 114,  
227/120, 130, 136, 142; 310/50; 408/20,  
408/35, 117, 124, 125, 234, 241 R, 58, 67;  
451/358; 7/158, 165

See application file for complete search history.

(56) **References Cited**

**U.S. PATENT DOCUMENTS**

D470,028 S 2/2003 Cooper  
D482,253 S 11/2003 Cooper et al.

D532,667 S \* 11/2006 Tsai et al. .... D8/68  
D577,272 S 9/2008 Murray et al.  
D593,831 S 6/2009 Van Wambeke et al.  
D606,830 S 12/2009 Murray  
D607,704 S 1/2010 Murray  
D607,705 S 1/2010 Murray  
D609,072 S 2/2010 Van Wambeke  
D611,319 S \* 3/2010 Van Wambeke et al. .... D8/68  
D617,621 S \* 6/2010 Houghton et al. .... D8/68  
D626,394 S \* 11/2010 Lopano ..... D8/68

\* cited by examiner

*Primary Examiner* — Antoine D Davis

(74) *Attorney, Agent, or Firm* — Stephen R. Valancius

(57) **CLAIM**

The ornamental design for a drill, as shown and described.

**DESCRIPTION**

FIG. 1 is a perspective view of a drill according to the present invention;

FIG. 2 is a front view of the drill of FIG. 1;

FIG. 3 is a back view of the drill of FIG. 1;

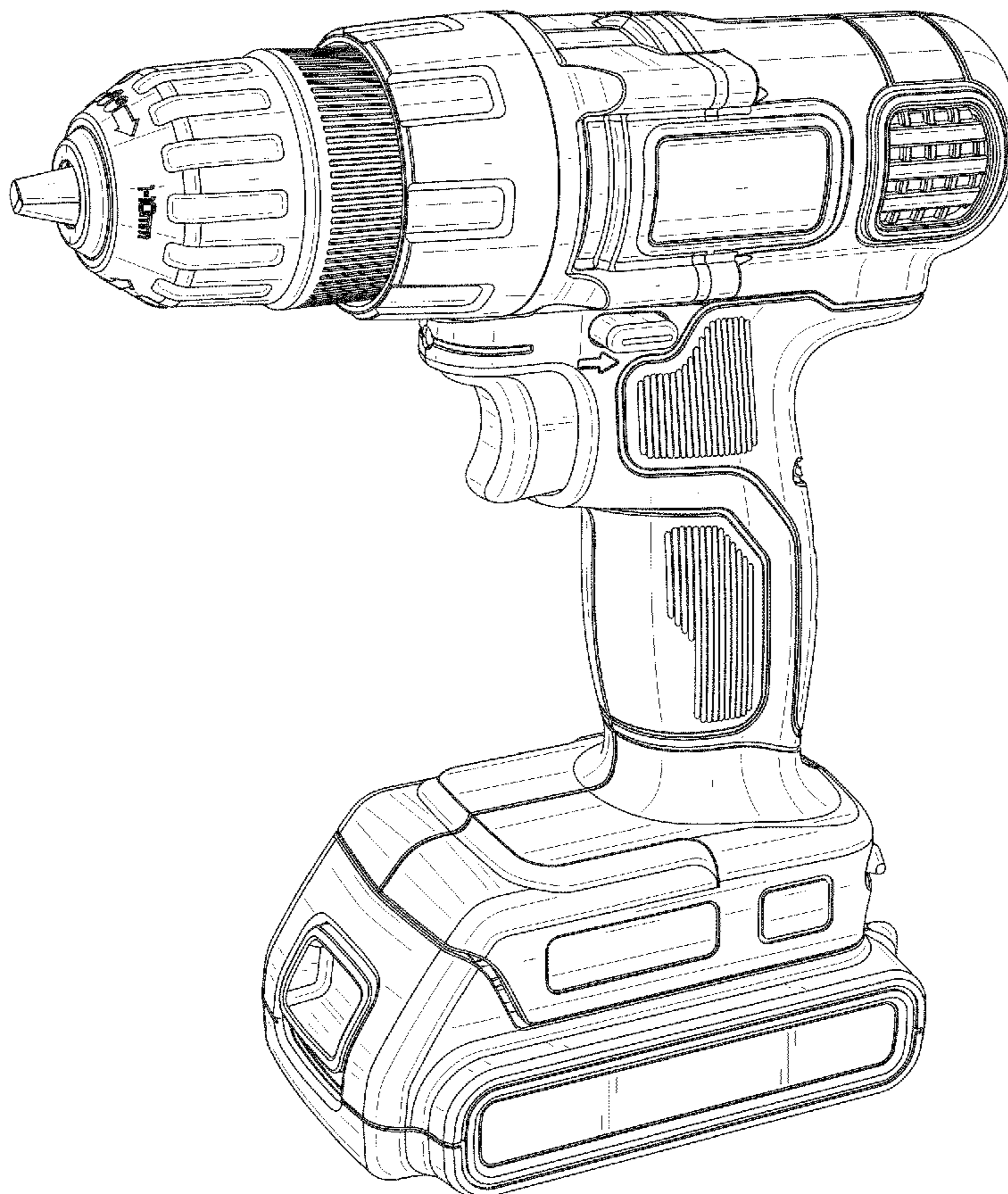
FIG. 4 is a right side view of the drill of FIG. 1;

FIG. 5 is a left side view of the drill of FIG. 1;

FIG. 6 is a top view of the drill of FIG. 1; and,

FIG. 7 is a bottom view of the drill of FIG. 1.

**1 Claim, 5 Drawing Sheets**





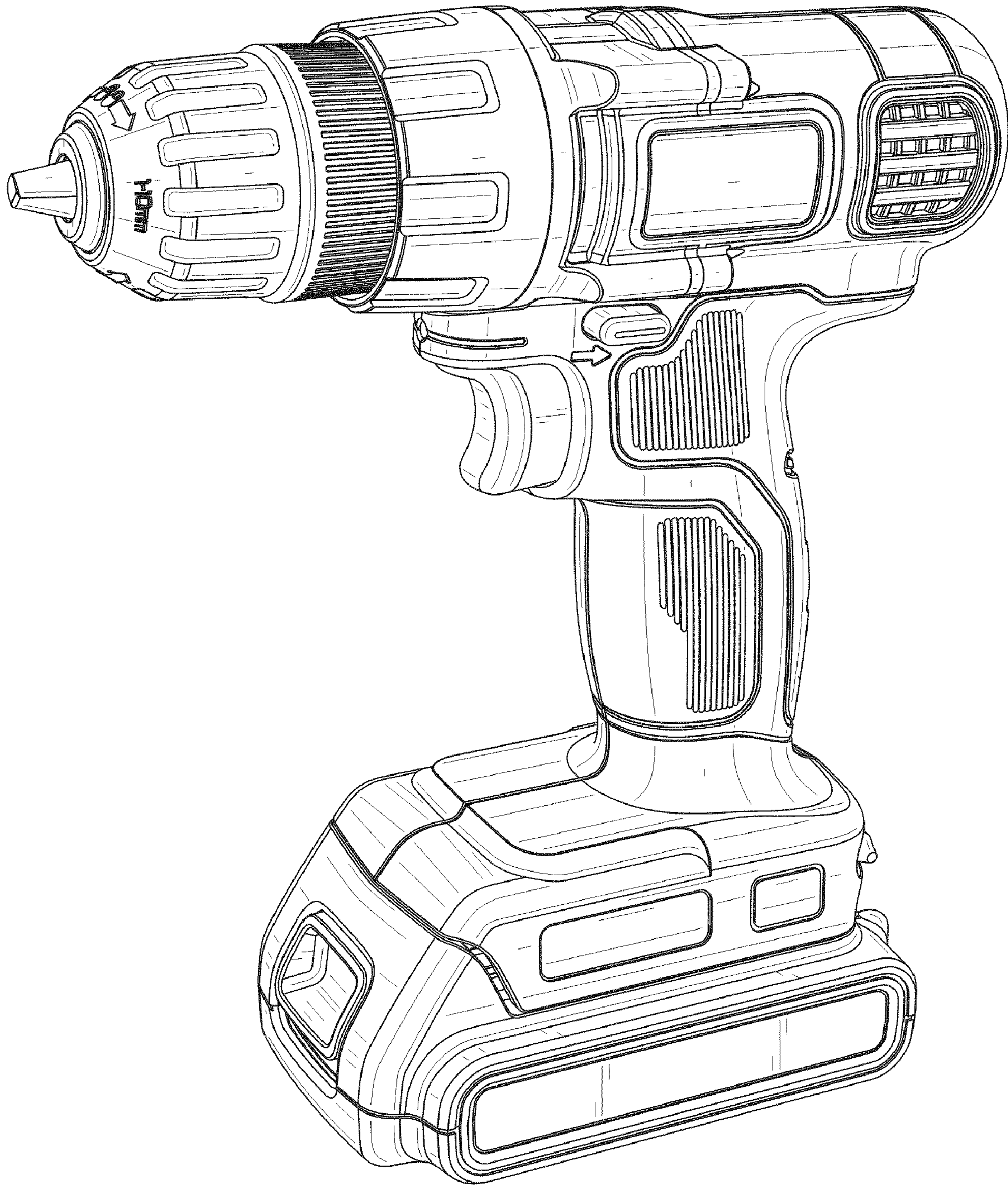


FIG. 1

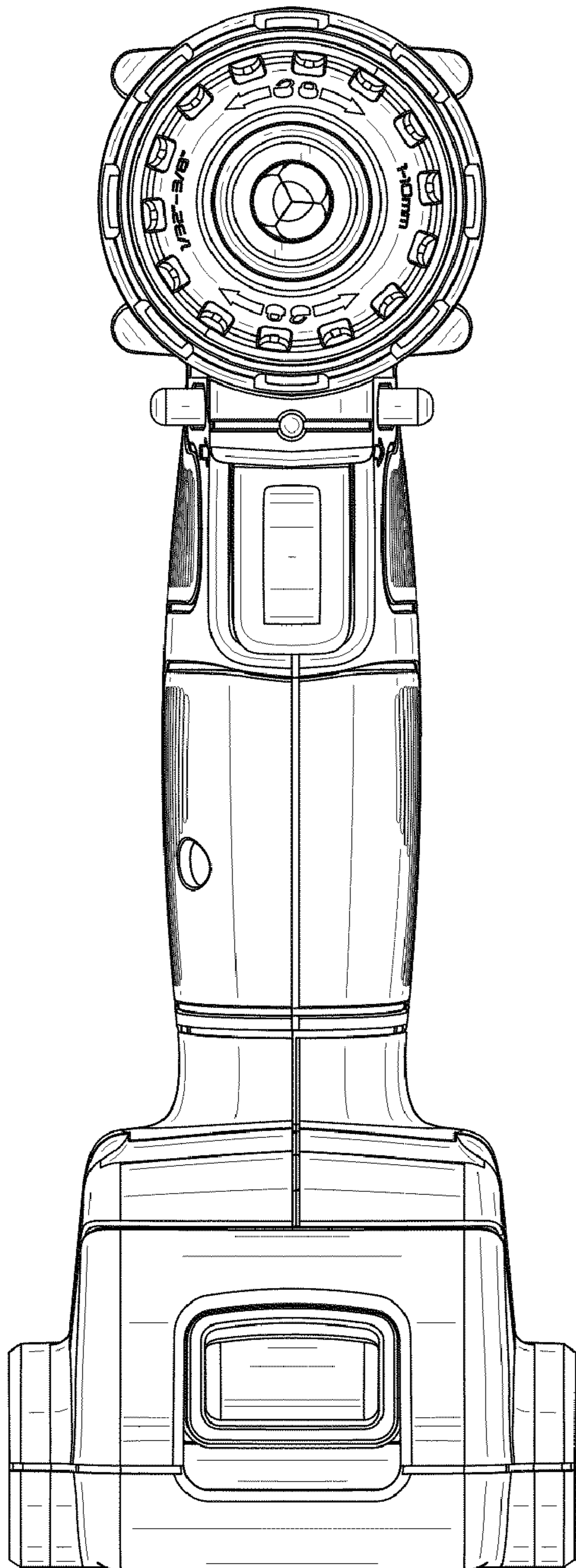


FIG. 2

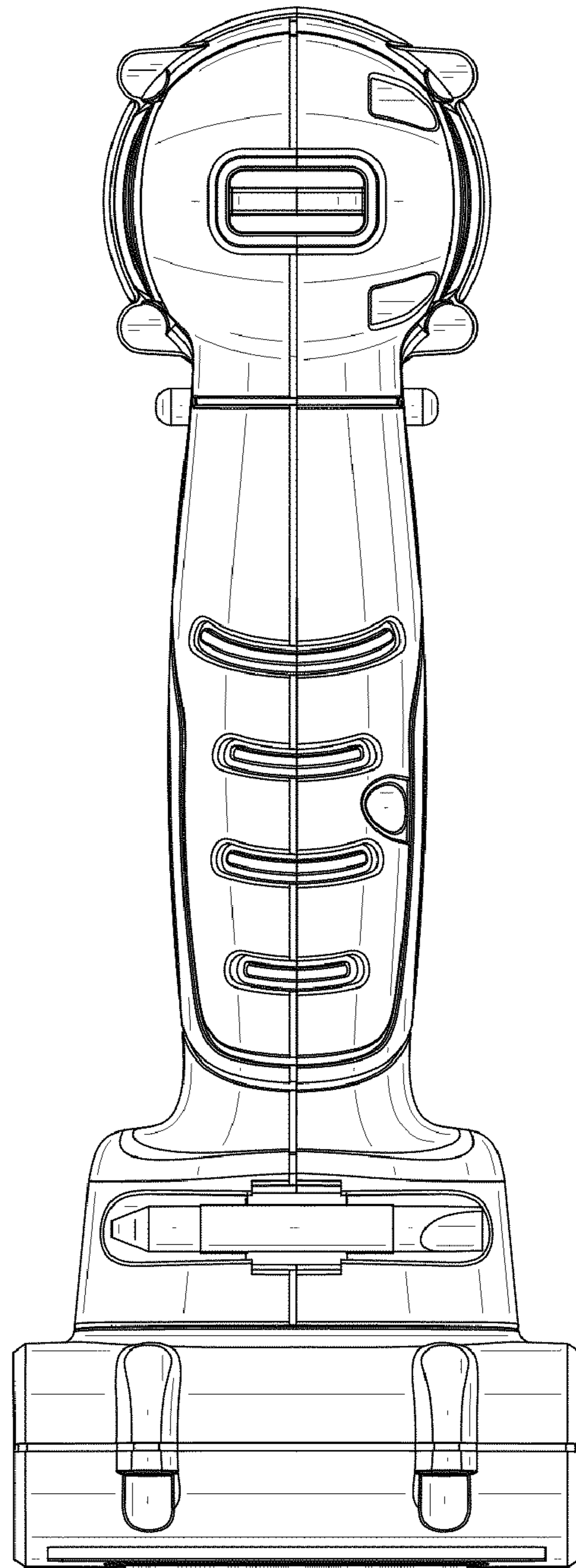


FIG. 3



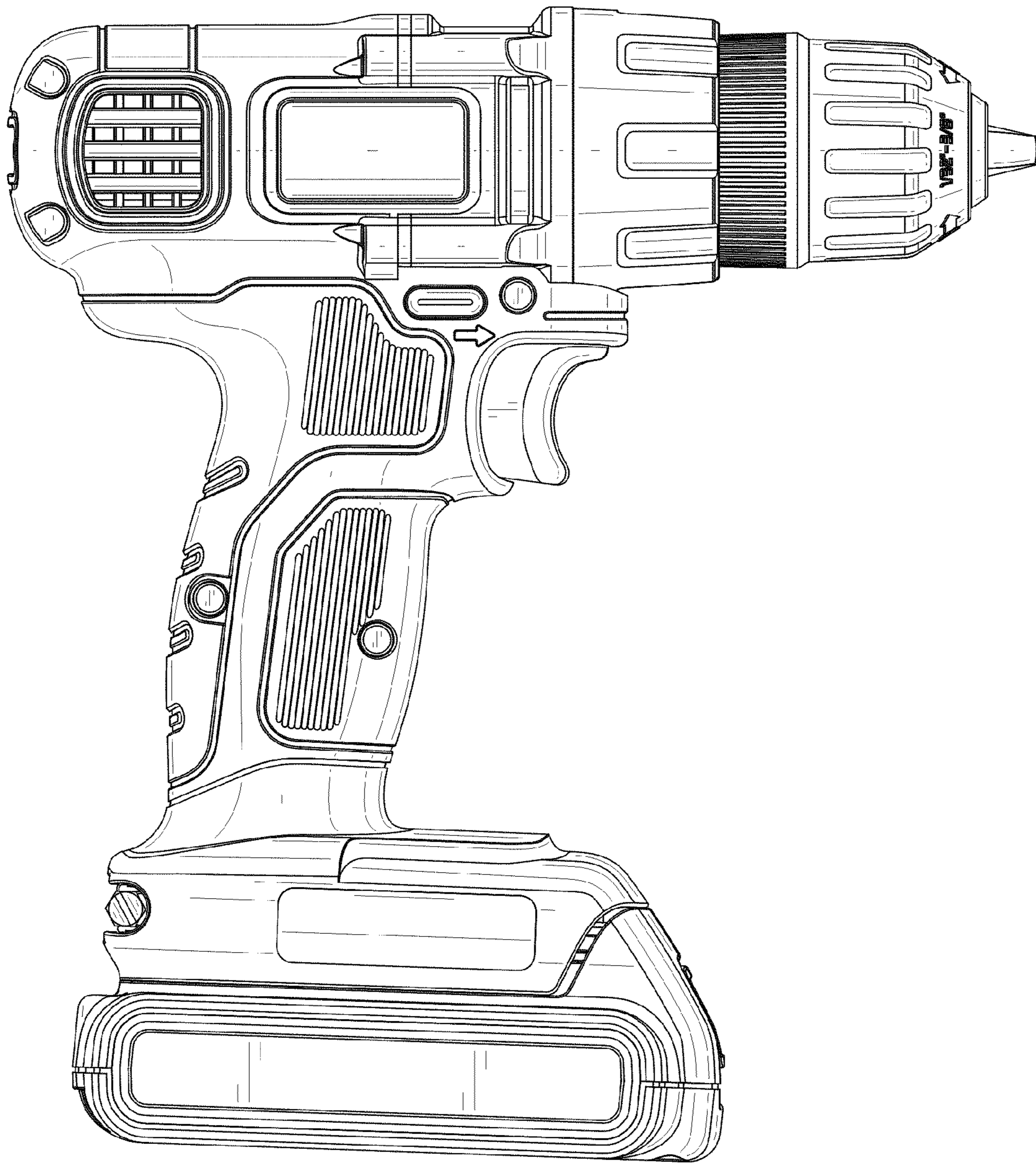


FIG. 4

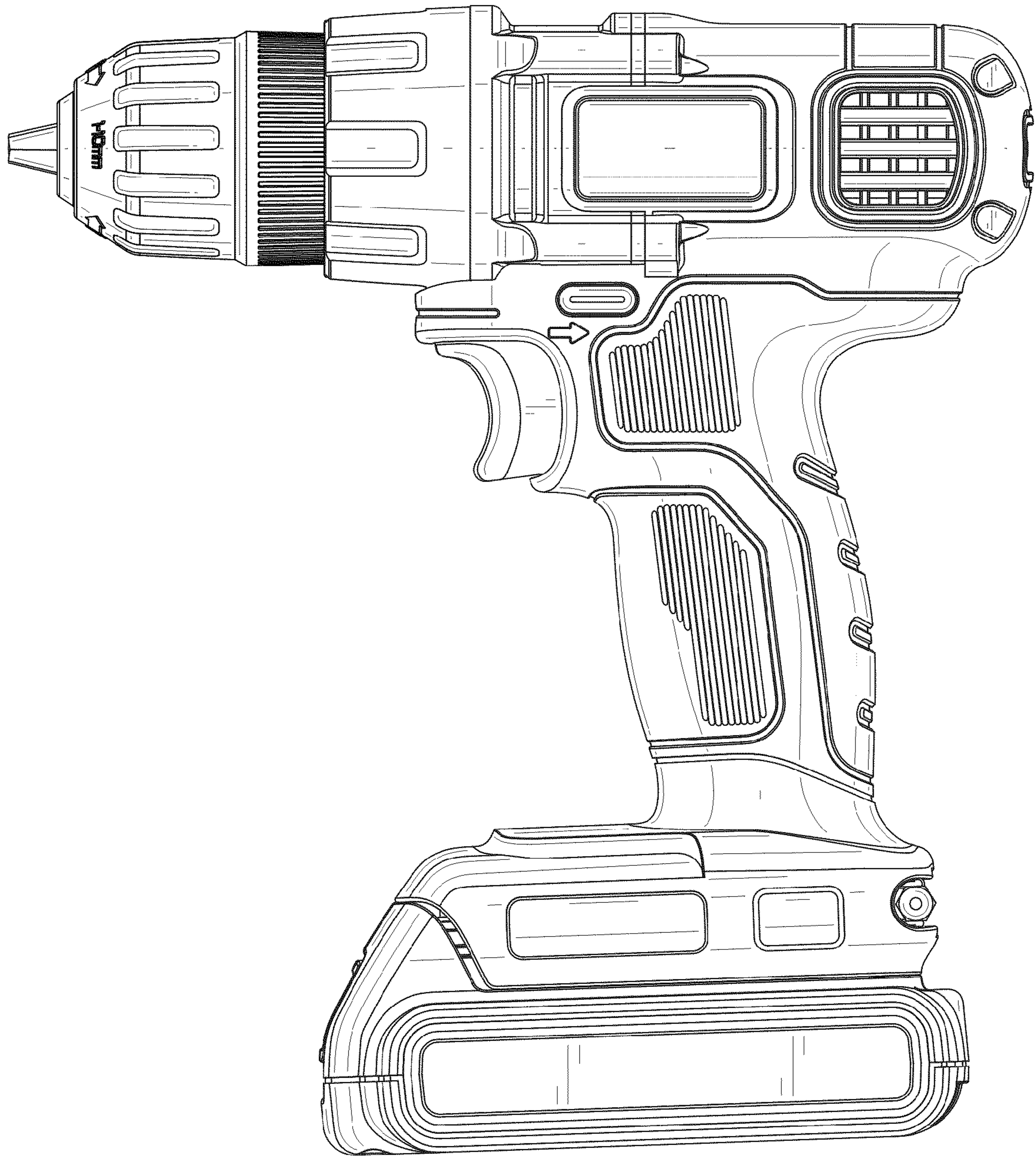


FIG. 5



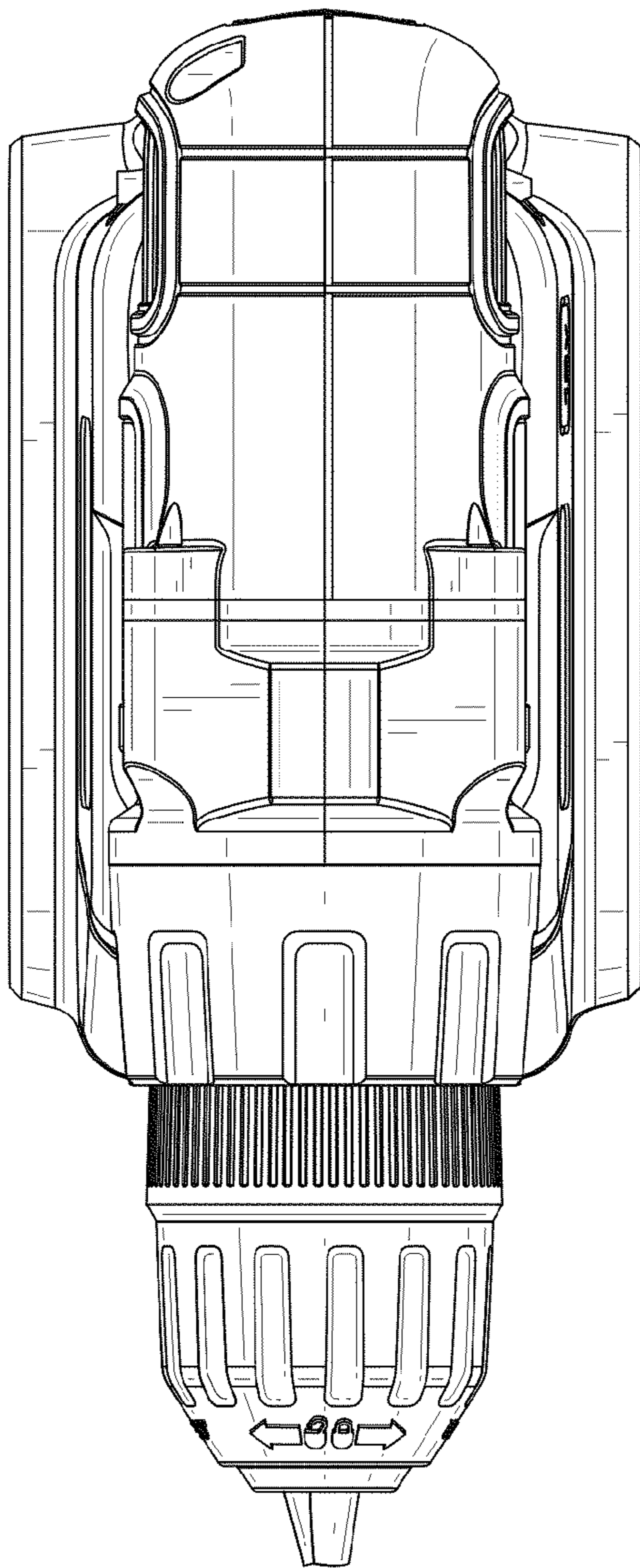


FIG. 6

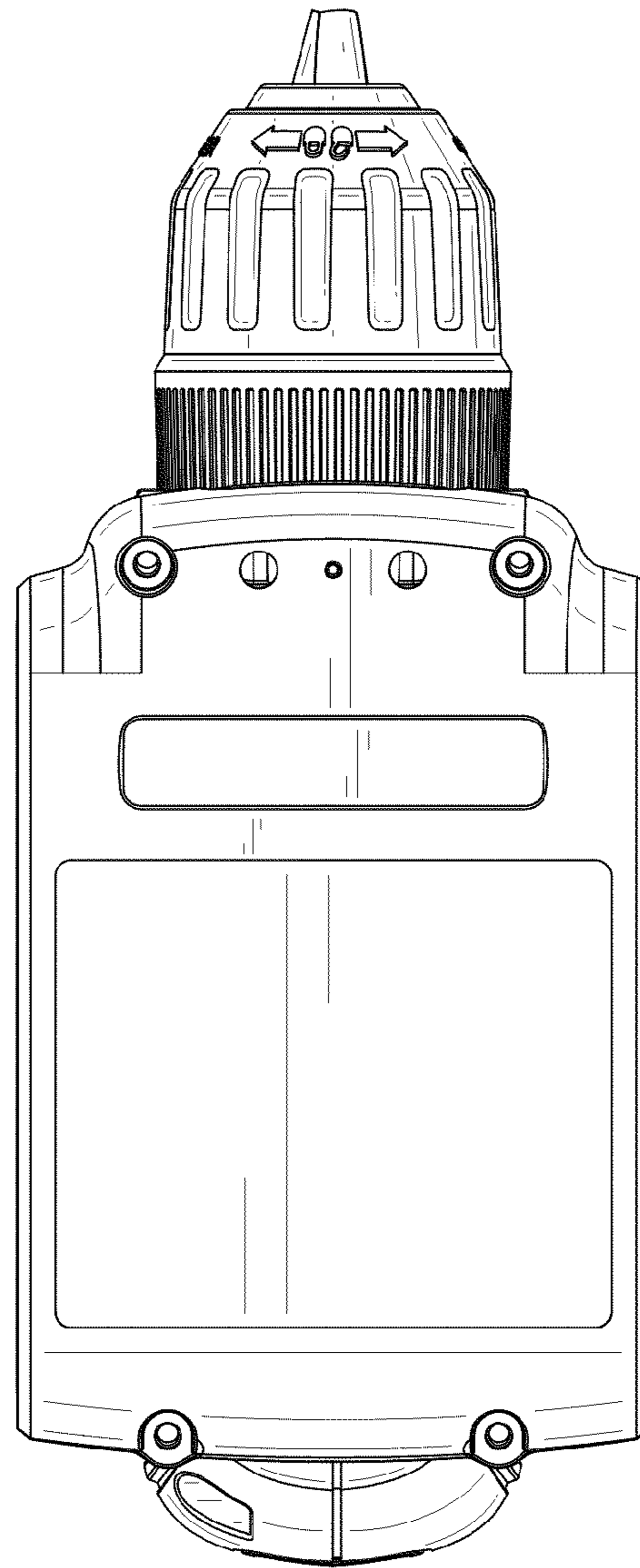


FIG. 7