



US00D642034S

(12) **United States Design Patent**  
**Molina et al.**

(10) **Patent No.:** **US D642,034 S**

(45) **Date of Patent:** **\*\* Jul. 26, 2011**

(54) **SCISSOR HANDLE**

(75) Inventors: **Francisco Molina**, Sunrise, FL (US);  
**Glenn Robinson**, Coral Springs, FL  
(US)

(73) Assignee: **IBT Holdings, LLC**, Deerfield Beach,  
FL (US)

(\*\*) Term: **14 Years**

(21) Appl. No.: **29/372,243**

(22) Filed: **Nov. 1, 2010**

(51) **LOC (9) Cl.** ..... **08-03**

(52) **U.S. Cl.** ..... **D8/57**

(58) **Field of Classification Search** ..... D8/4, 5,  
D8/51-58, 105-107; 7/135, 136; 30/131,  
30/194, 195, 229-235, 254-258, 268, 350

See application file for complete search history.

(56) **References Cited**

U.S. PATENT DOCUMENTS

D393,193 S *	4/1998	Schneider et al.	.....	D8/57
D393,404 S *	4/1998	Jacquet	.....	D8/57
D395,584 S *	6/1998	Gstalder	.....	D8/57
D442,046 S *	5/2001	Huang	.....	D8/57
D443,121 S *	5/2001	Hamm et al.	.....	D32/34
D446,099 S *	8/2001	Pia	.....	D8/57
D450,554 S *	11/2001	Stokes	.....	D8/57
D460,671 S *	7/2002	Chan	.....	D8/57
6,493,947 B2 *	12/2002	Stokes	.....	30/341
D471,780 S *	3/2003	Lai	.....	D8/57
D484,761 S *	1/2004	Levine et al.	.....	D8/57
D502,853 S *	3/2005	Peterson	.....	D8/57

D506,913 S *	7/2005	Phillips et al.	.....	D8/57
6,988,318 B2 *	1/2006	Buchtman et al.	.....	30/350
D541,123 S *	4/2007	Hasegawa	.....	D8/57
D547,153 S *	7/2007	Peterson et al.	.....	D8/57
D551,929 S *	10/2007	Peterson et al.	.....	D8/57
D565,373 S *	4/2008	Fazzi et al.	.....	D8/57
D574,685 S *	8/2008	Peterson et al.	.....	D8/57
D590,677 S *	4/2009	Pearson et al.	.....	D8/57
D611,794 S *	3/2010	Williams et al.	.....	D8/57
D614,008 S *	4/2010	Hyp	.....	D8/57
7,694,423 B2 *	4/2010	Hasegawa	.....	30/232
2007/0101582 A1 *	5/2007	Escobar et al.	.....	30/232
2009/0126202 A1 *	5/2009	Racamier	.....	30/232

\* cited by examiner

*Primary Examiner* — Cathron Brooks

*Assistant Examiner* — Deanna Fluegeman

(74) *Attorney, Agent, or Firm* — Dan M. DeLaRosa

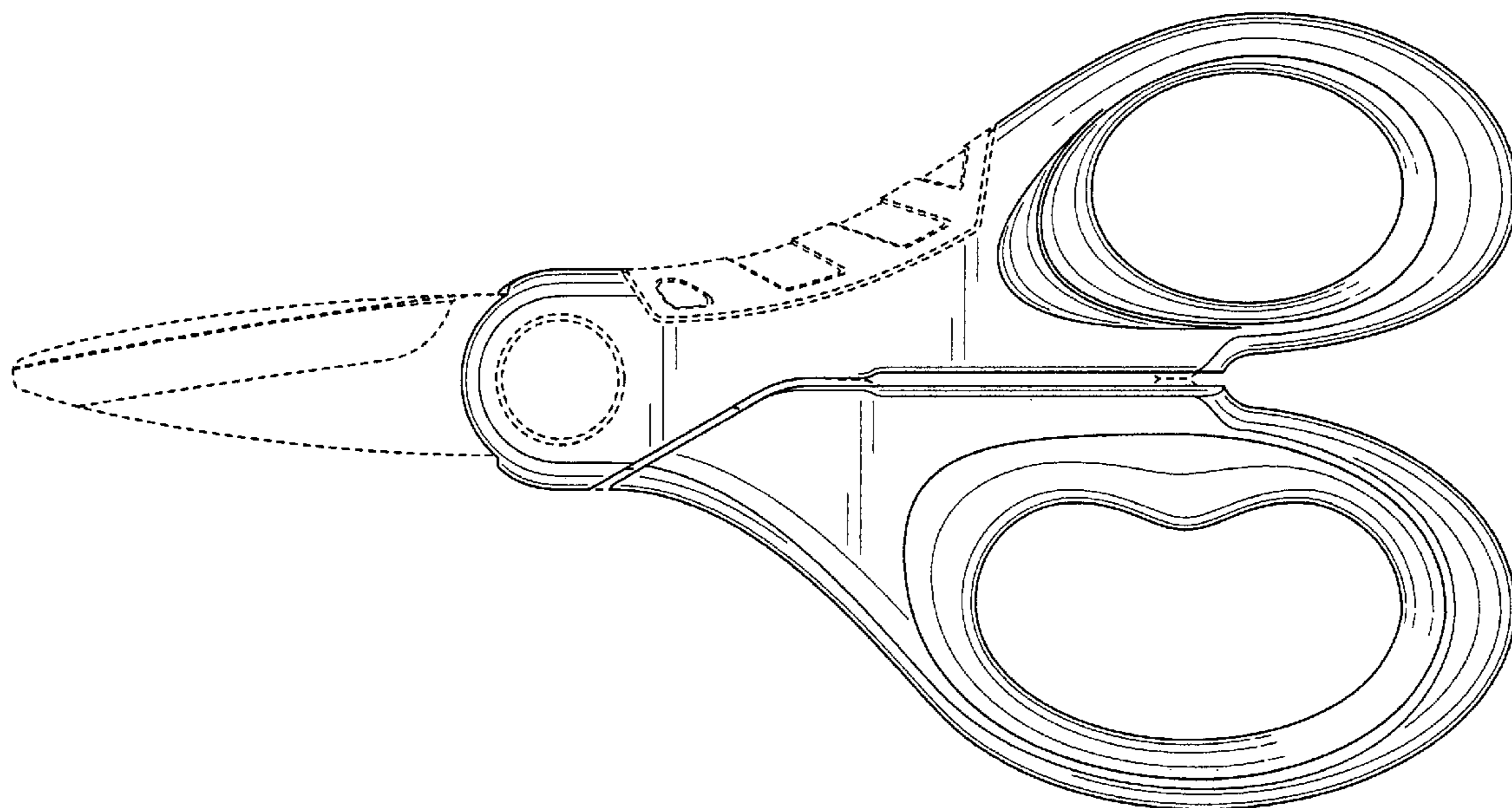
(57) **CLAIM**

The ornamental design for a scissor handle, as shown and described.

**DESCRIPTION**

FIG. 1 is a front perspective view of the scissor handle of the present invention showing my new design; FIG. 2 is a front side elevational view thereof; FIG. 3 is a back side elevational view thereof; FIG. 4 is a side elevational view thereof; FIG. 5 is another side elevational view thereof; FIG. 6 is a top plan view thereof; and, FIG. 7 is a bottom plan view thereof. The broken lines in the drawings illustrate unclaimed environment and form no part of the claimed design.

**1 Claim, 5 Drawing Sheets**



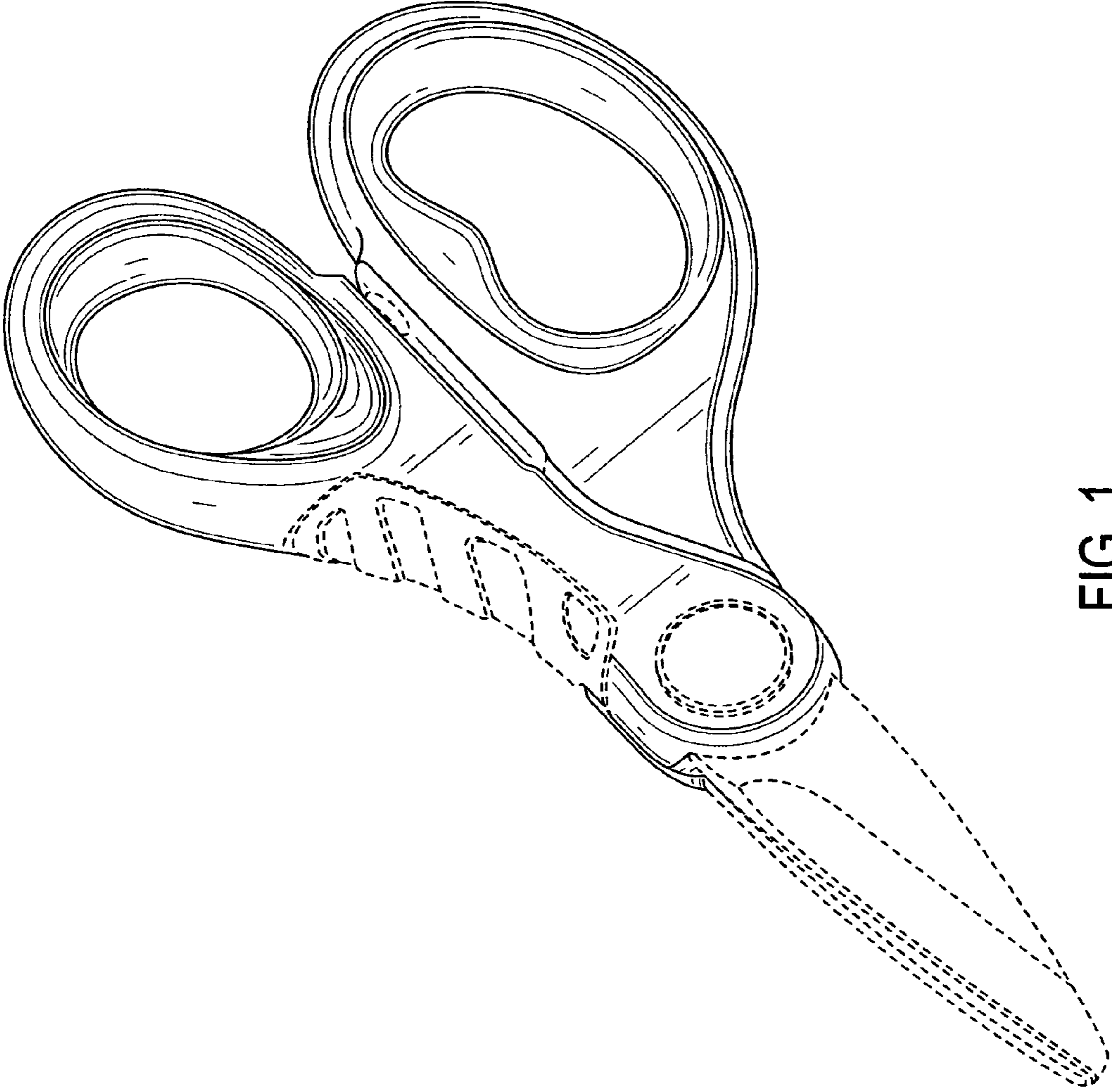


FIG. 1

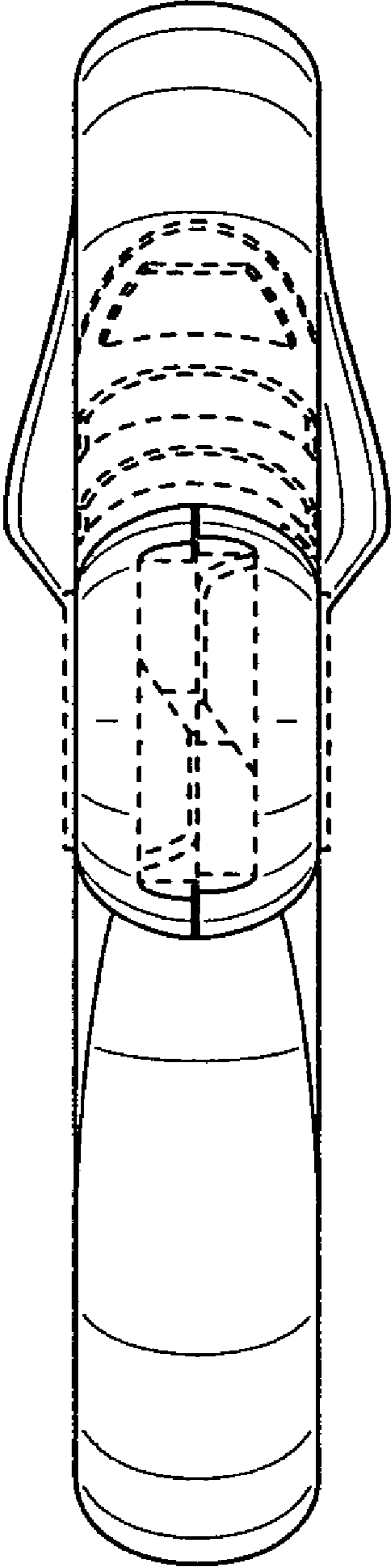


FIG. 2

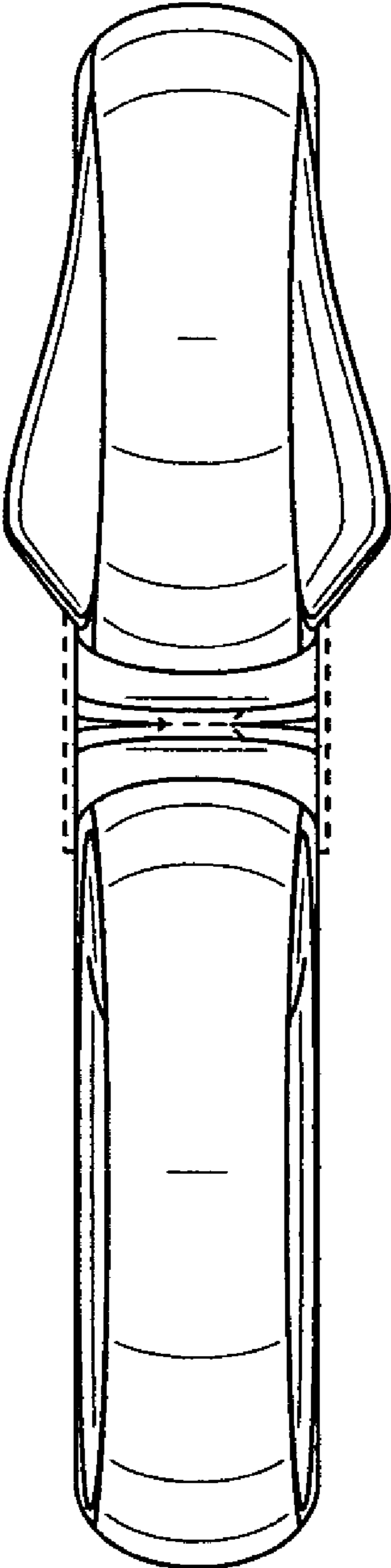


FIG. 3

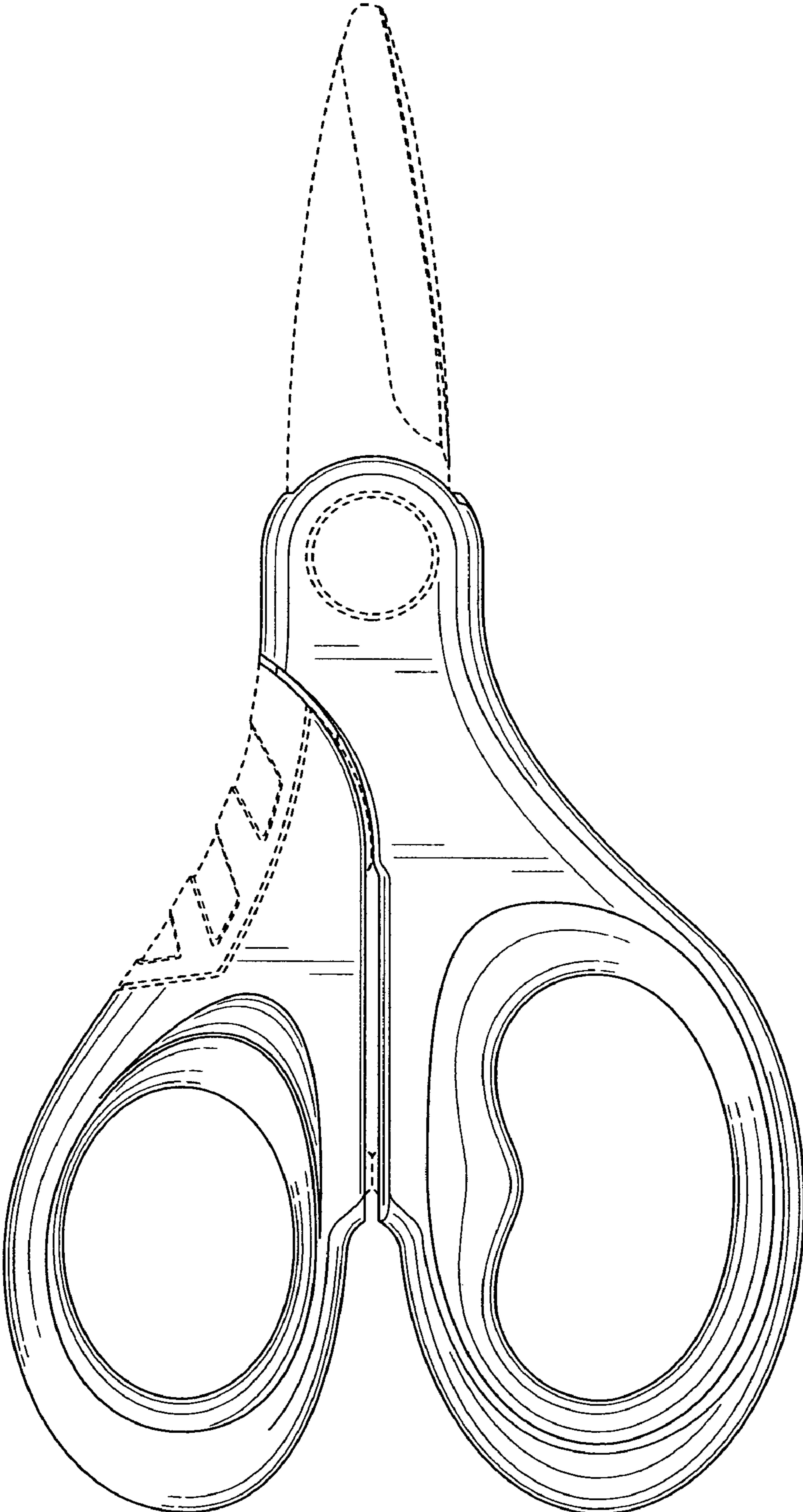


FIG. 4



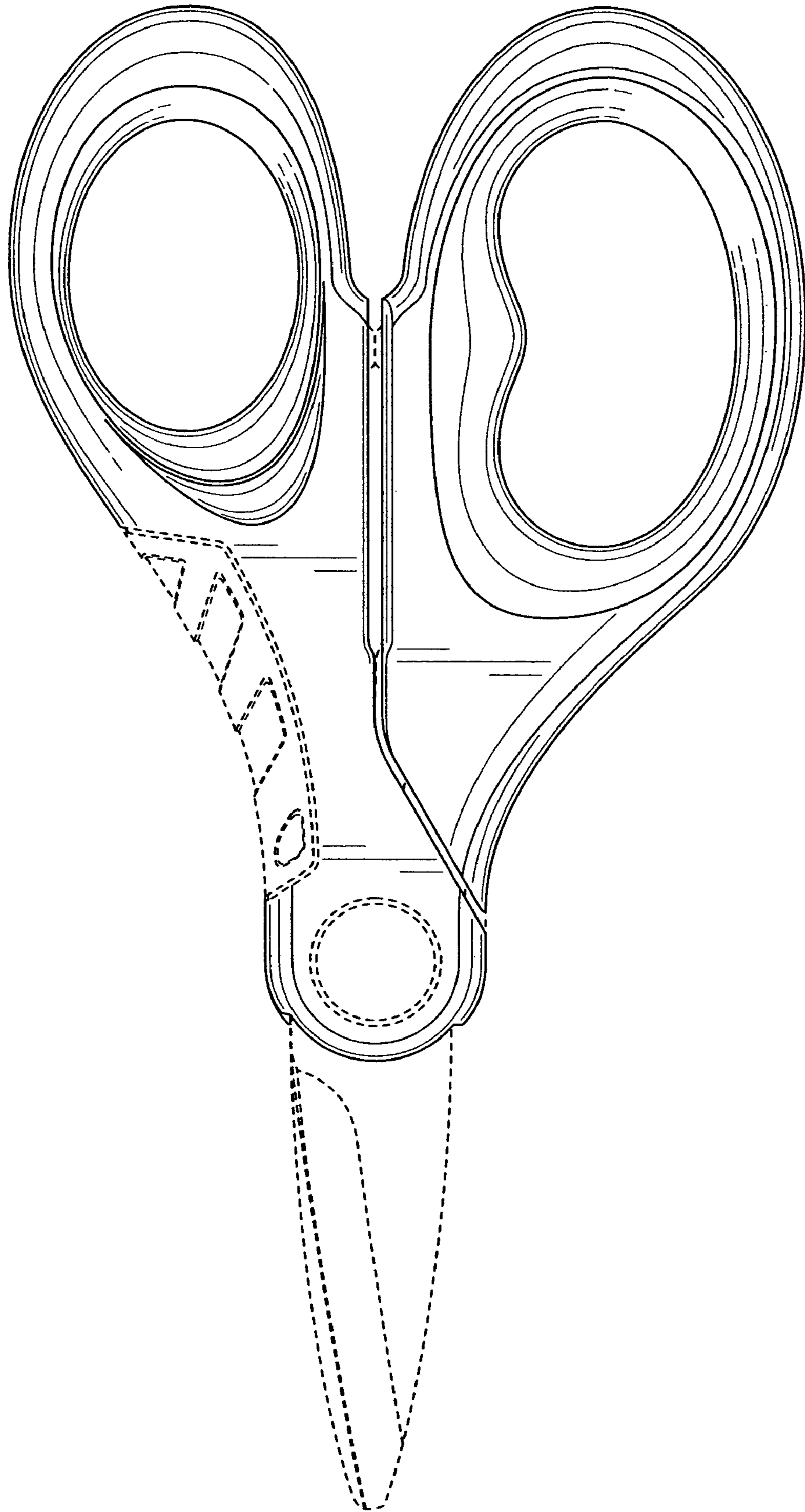


FIG. 5

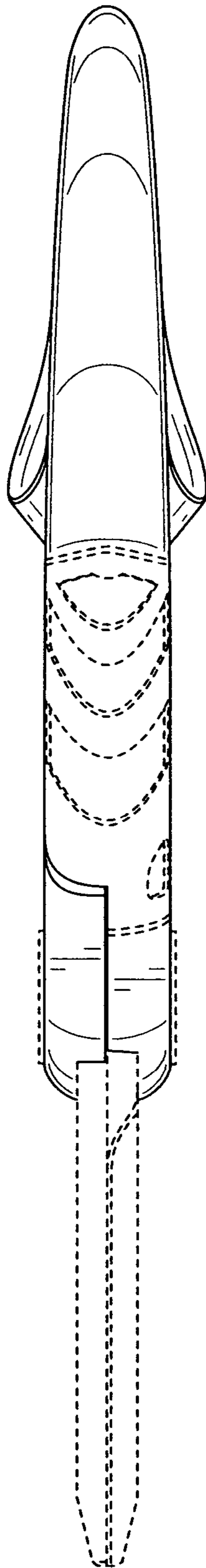


FIG. 6

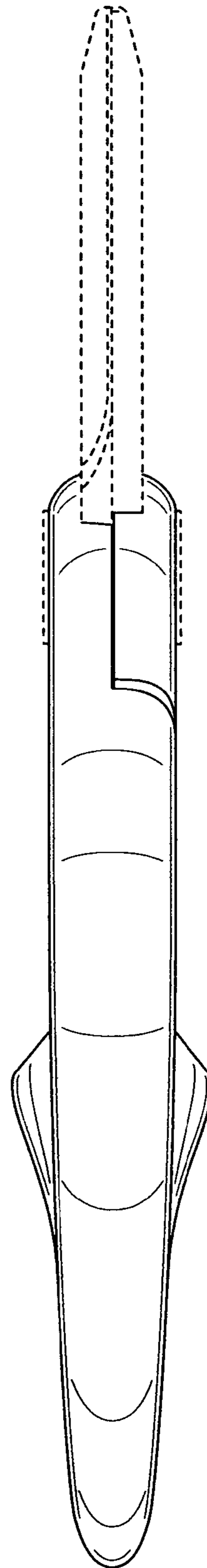


FIG. 7