

US00D642029S

(12) **United States Design Patent**
Rollinson

(10) **Patent No.:** **US D642,029 S**

(45) **Date of Patent:** **** Jul. 26, 2011**

(54) **PITCH TOOL WRENCH**

(75) **Inventor:** **Augustin W. Rollinson**, Carlsbad, CA
(US)

(73) **Assignee:** **Callaway Golf Company**, Carlsbad, CA
(US)

(**) **Term:** **14 Years**

(21) **Appl. No.:** **29/385,609**

(22) **Filed:** **Feb. 16, 2011**

(51) **LOC (9) Cl.** **08-05**

(52) **U.S. Cl.** **D8/26**

(58) **Field of Classification Search** D8/14,
D8/17, 21-29, 354, 107; 81/60, 177.1, 177.85,
81/121.1, 124.3, 165-170, 110.1, 176.2,
81/124.6, 176.1, 176.15, 177.2, 186, 437-439,
81/489, 490, 177.4; 16/110.1; D15/144.1,
D15/143; 219/75, 227, 229, 121.16, 121.18;
7/138, 165, 139

See application file for complete search history.

(56) **References Cited**

U.S. PATENT DOCUMENTS

D252,849 S * 9/1979 Weiss D8/18
D267,392 S * 12/1982 Hildebrandt D8/28
D333,243 S * 2/1993 Brown D8/21

D351,975 S * 11/1994 Brunner D8/21
D383,048 S * 9/1997 Sorensen et al. D8/107
D385,767 S * 11/1997 Sorensen et al. D8/107
D428,783 S * 8/2000 Precetti et al. D8/40
D588,425 S * 3/2009 Kelleghan D8/38
D619,435 S * 7/2010 Navas D8/27
D621,673 S * 8/2010 Armstrong D8/27

* cited by examiner

Primary Examiner — Raphael Barkai

Assistant Examiner — Randall Gholson

(74) *Attorney, Agent, or Firm* — Michael A. Catania;
Rebecca Hanovice; Sonia Lari

(57) **CLAIM**

The ornamental design for a pitch tool wrench, as shown and described.

DESCRIPTION

FIG. 1 is a top perspective view of a pitch tool wrench as claimed herein, with the wrench portion in an extended position;

FIG. 2 is a top perspective view thereof, with the wrench portion in a lowered position;

FIG. 3 is a front side view thereof;

FIG. 4 is a back side view thereof;

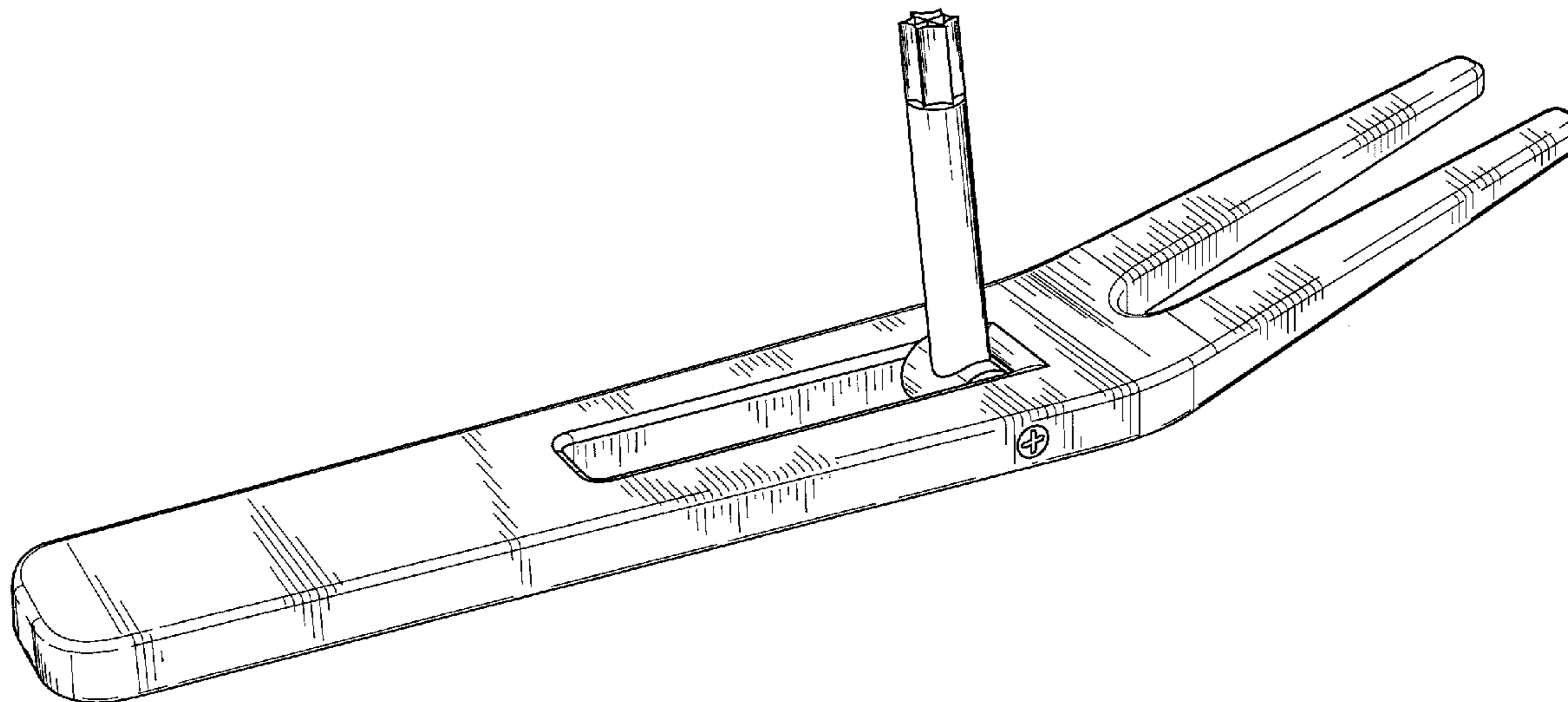
FIG. 5 is a right side view thereof;

FIG. 6 is a left side view thereof;

FIG. 7 is a top plan view thereof; and,

FIG. 8 is a back plan view thereof.

1 Claim, 3 Drawing Sheets



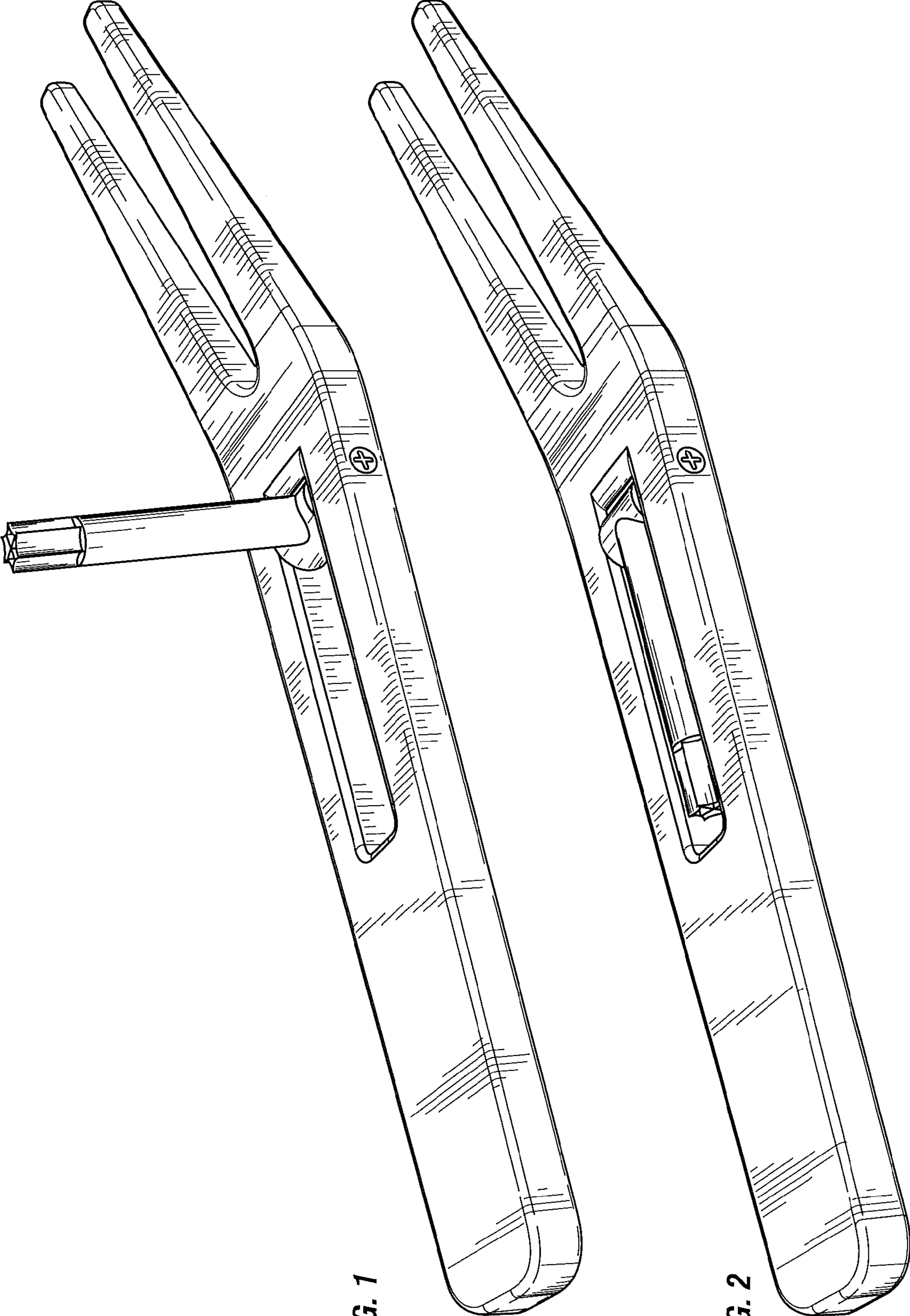


FIG. 1

FIG. 2

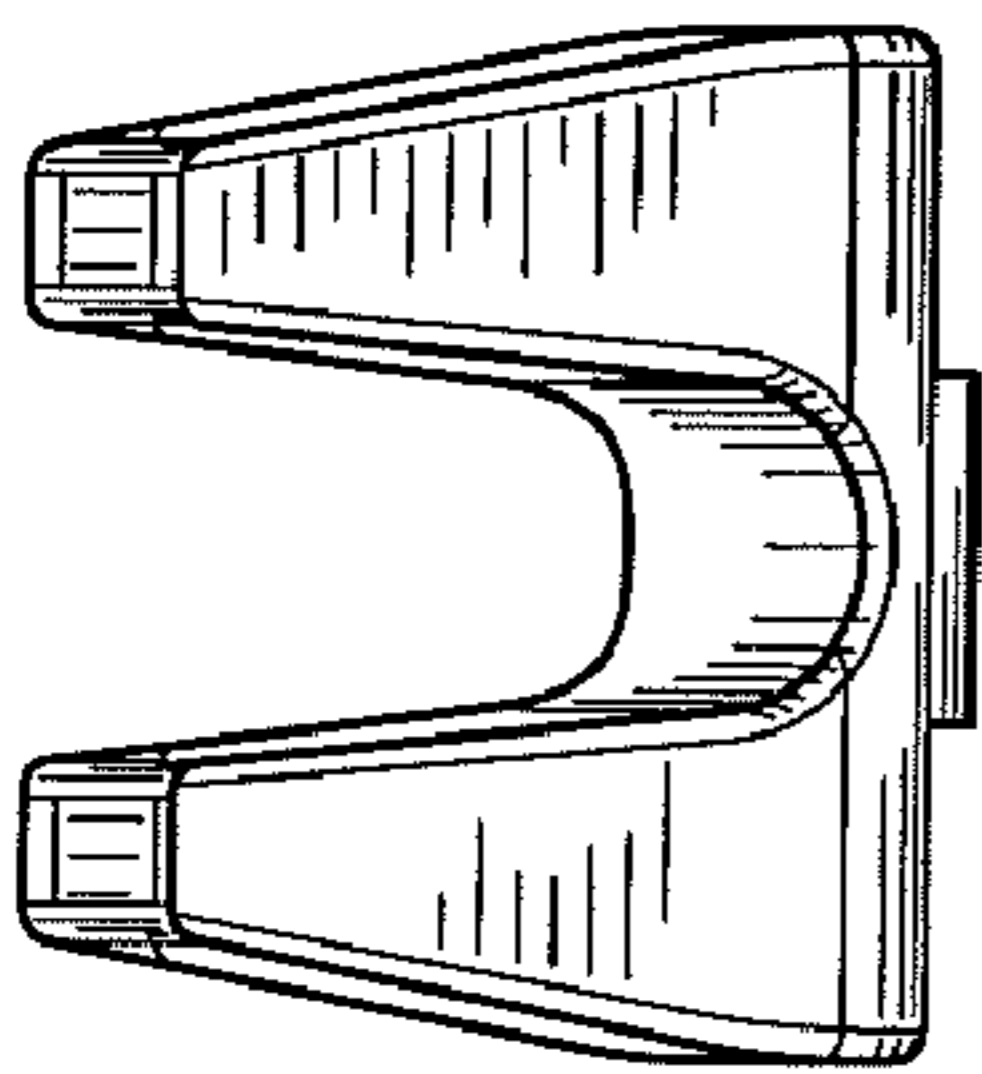


FIG. 3

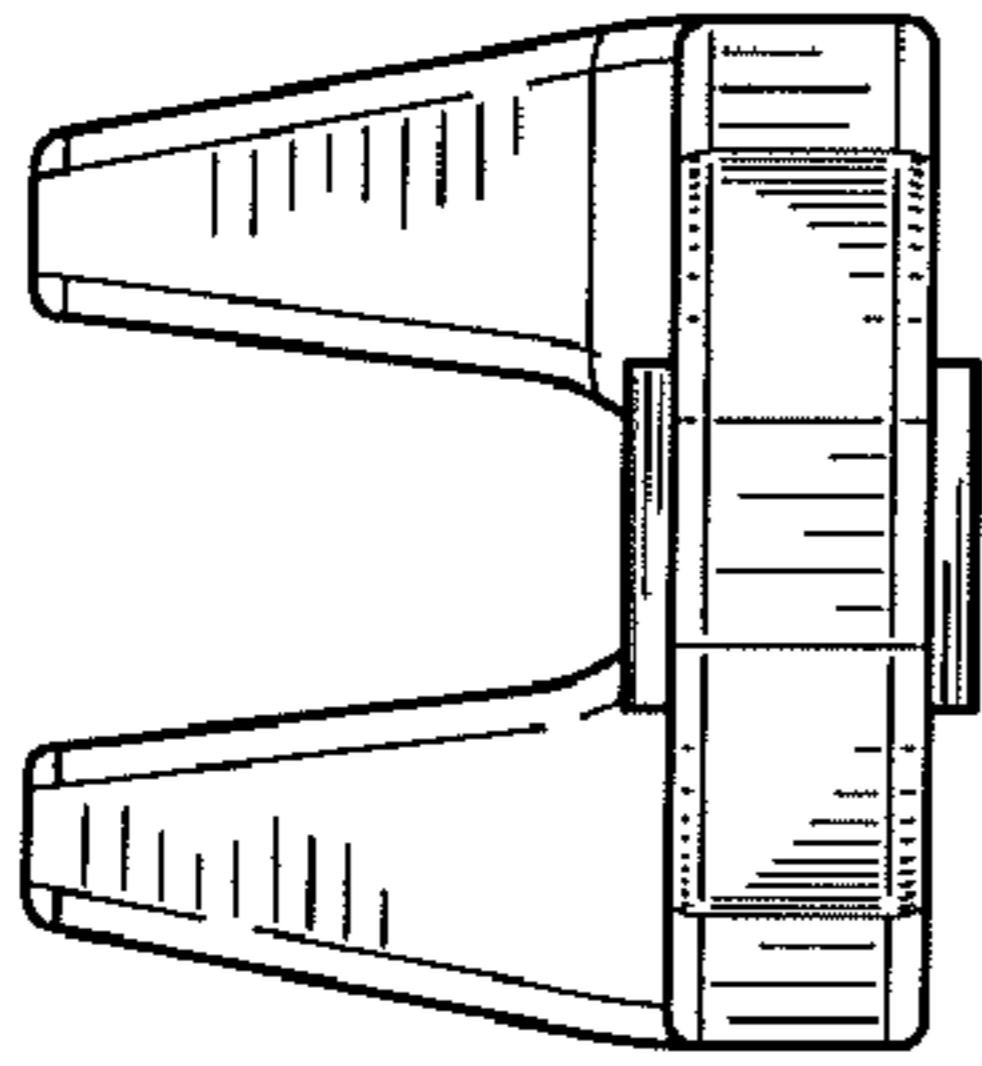


FIG. 4

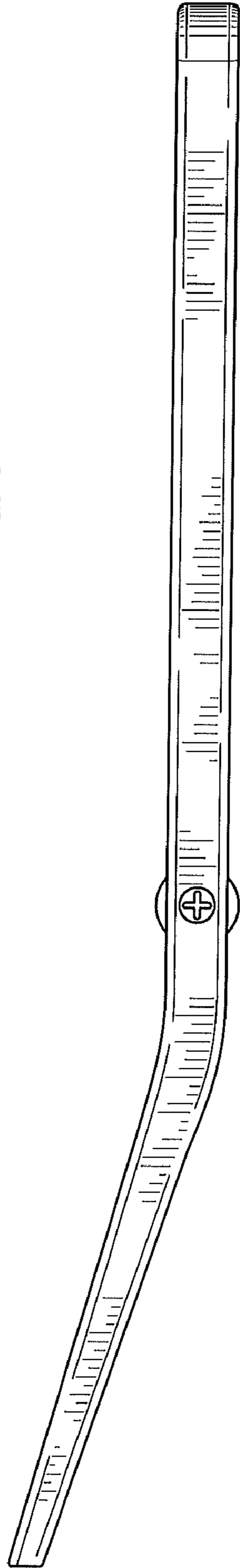


FIG. 5

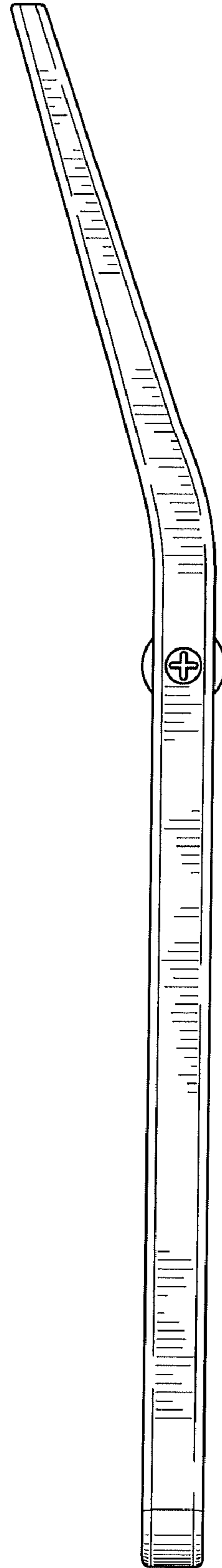


FIG. 6

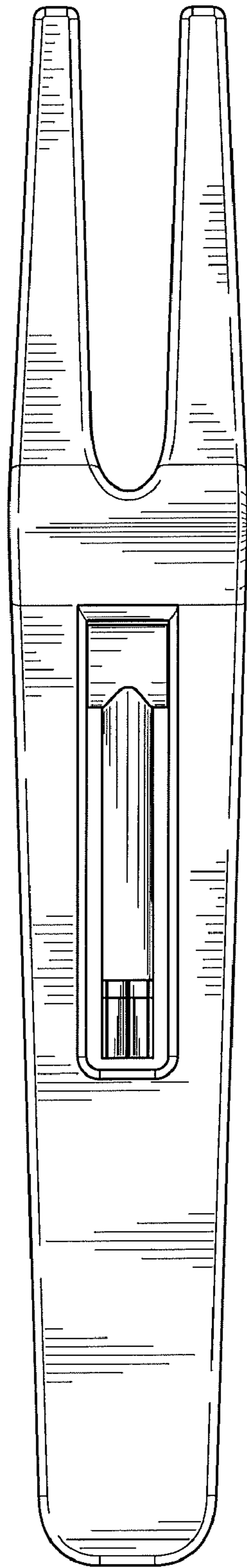


FIG. 7

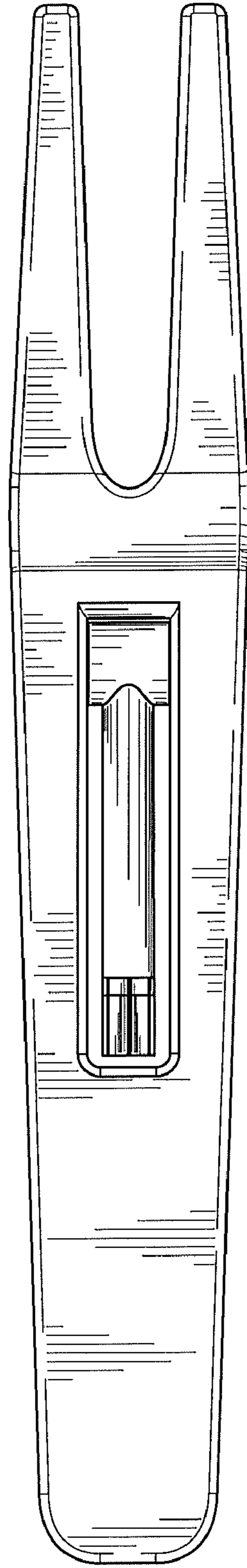


FIG. 8