



US00D642027S

(12) **United States Design Patent**  
**Serret**

(10) **Patent No.:** **US D642,027 S**

(45) **Date of Patent:** **\*\* Jul. 26, 2011**

(54) **THREADED BOLT TOOL**

(76) Inventor: **Raymond J. Serret**, Pleasantville, NY  
(US)

(\*\*) Term: **14 Years**

(21) Appl. No.: **29/378,664**

(22) Filed: **Nov. 8, 2010**

**Related U.S. Application Data**

(62) Division of application No. 29/358,746, filed on Mar. 31, 2010, now Pat. No. Des. 628,866.

(51) **LOC (9) Cl.** ..... **08-05**

(52) **U.S. Cl.** ..... **D8/17**

(58) **Field of Classification Search** ..... D8/17,  
D8/18, 19, 21, 28, 105; 81/119, 120, 121.1,  
81/124.3, 124.4, 125.1, 176.1, 176.2, 186  
See application file for complete search history.

(56) **References Cited**

**U.S. PATENT DOCUMENTS**

D27,471 S *	8/1897	Freas	.....	D8/28
D29,109 S *	7/1898	Bushnell	.....	D8/28
763,745 A	6/1904	Gheen	.....	7/138
D45,556 S	4/1914	Gravier	.....	D8/17
D116,179 S	8/1939	Yates	.....	D8/17
2,230,376 A *	2/1941	Cullen	.....	7/144
D152,822 S	2/1949	Overshiner	.....	D8/16
2,545,979 A *	3/1951	Tregear	.....	81/3.57
2,716,367 A *	8/1955	Montgomery	.....	81/124.3
D282,046 S *	1/1986	Dumond et al.	.....	D8/17
D288,893 S	3/1987	Epstein	.....	D8/17
D298,212 S	10/1988	Gross	.....	D8/349

5,259,281 A *	11/1993	Burke	.....	7/138
D393,578 S *	4/1998	Keddie	.....	D8/17
D410,826 S	6/1999	Hsieh	.....	D8/28
D411,945 S	7/1999	Chen	.....	D8/28
D414,995 S *	10/1999	Hsieh	.....	D8/17
D420,873 S *	2/2000	Hsieh	.....	D8/28
D514,403 S	2/2006	Wolf	.....	D8/21

**OTHER PUBLICATIONS**

Lee Valley & Veritas, Hardware Catalog, Sep. 2009, 2 pages.

\* cited by examiner

*Primary Examiner* — Raphael Barkai

*Assistant Examiner* — Randall Gholson

(74) *Attorney, Agent, or Firm* — Andrew F. Young, Esq.;  
Lackenbach Siegel, LLP

(57) **CLAIM**

The ornamental design for a threaded bolt tool, as shown and described.

**DESCRIPTION**

FIG. 1 is a front perspective view of my design for a threaded bolt tool;  
FIG. 2 is a front view thereof;  
FIG. 3 is a rear view thereof;  
FIG. 4 is a left side view thereof, the right side being a mirror image thereof; and,  
FIG. 5 is a top plan view thereof, the bottom plan view being a mirror image thereof.

**1 Claim, 2 Drawing Sheets**

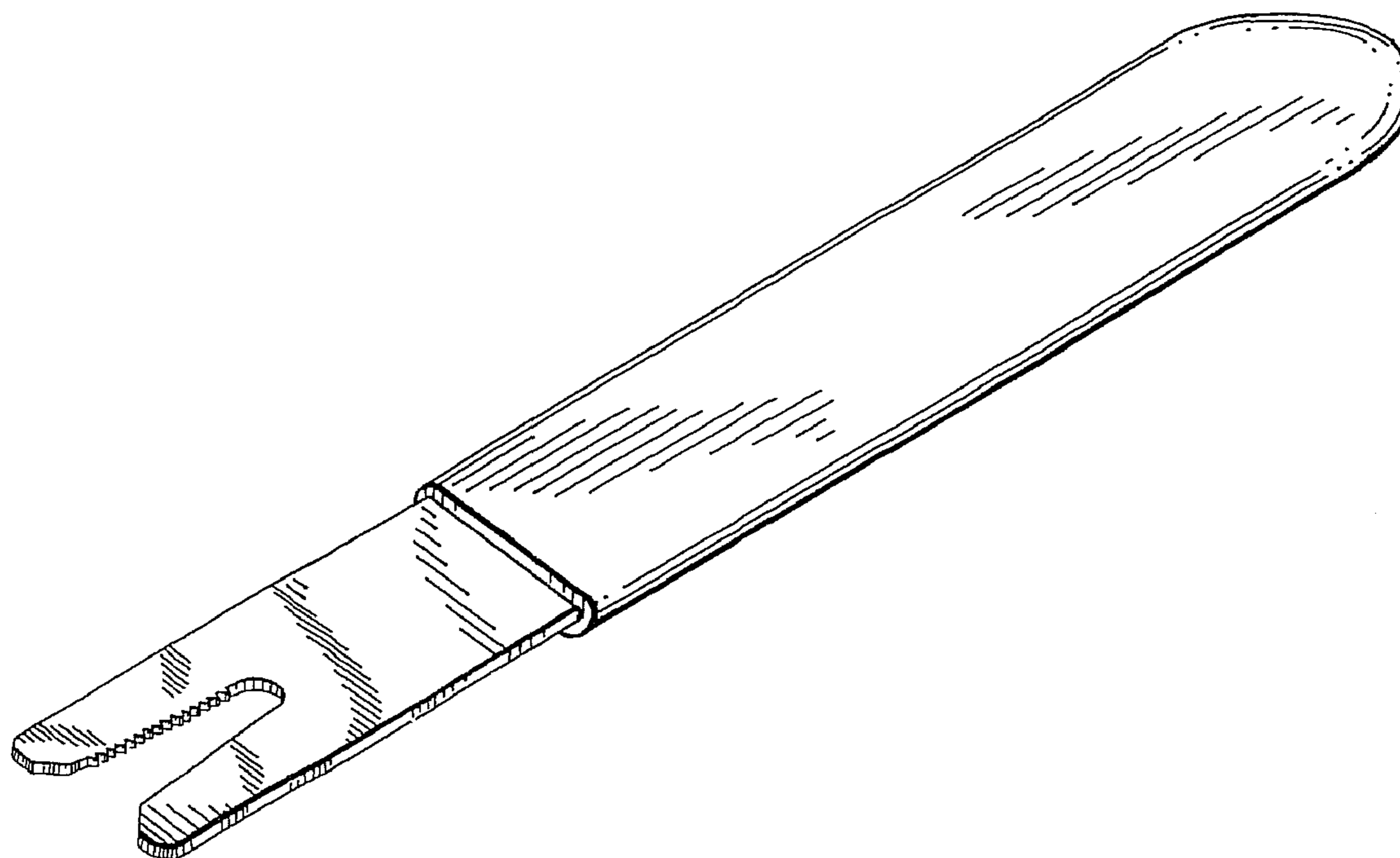


FIG. 1

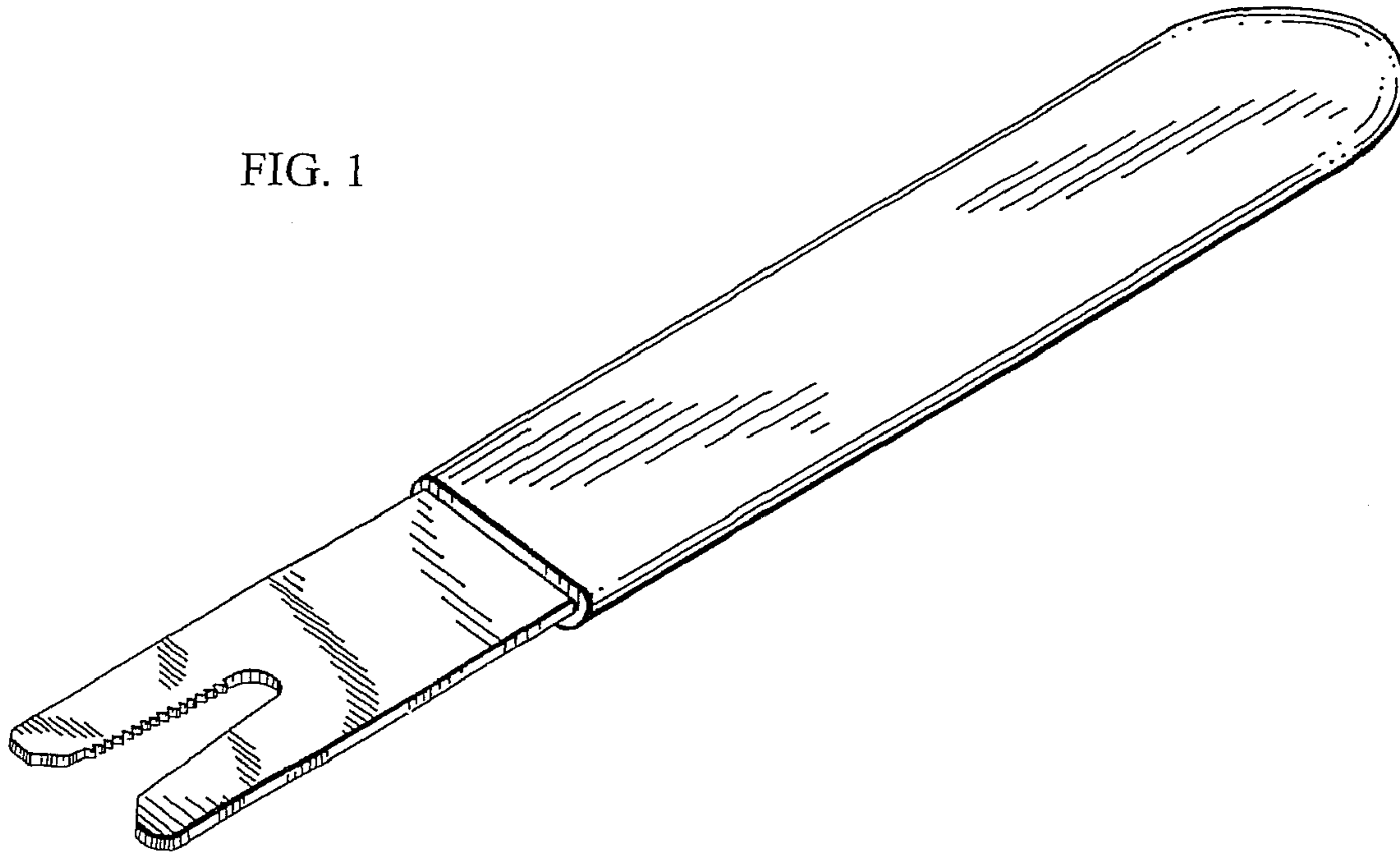


FIG. 2

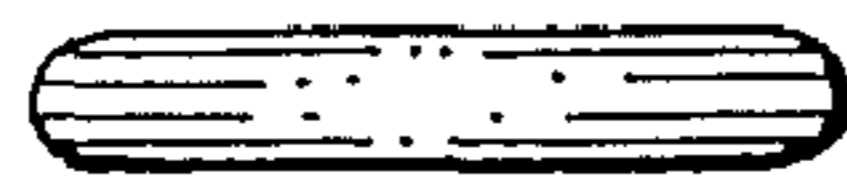


FIG. 3

FIG. 4

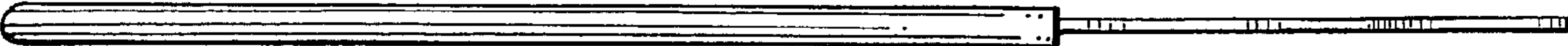


FIG. 5

