



US00D642026S

(12) **United States Design Patent**
Martin

(10) **Patent No.:** **US D642,026 S**

(45) **Date of Patent:** **** Jul. 26, 2011**

(54) **CONSTRUCTION SHEET CARRYING APPLIANCE**

(76) Inventor: **Darrell Martin**, Louisville, KY (US)

(**) Term: **14 Years**

(21) Appl. No.: **29/363,926**

(22) Filed: **Jul. 6, 2010**

(51) **LOC (9) Cl.** **08-05**

(52) **U.S. Cl.** **D8/14**

(58) **Field of Classification Search** D3/14,
D3/51, 88-89, 107; D20/43; D34/28; 294/15,
294/19.1, 26, 27.1, 32

See application file for complete search history.

(56) **References Cited**

U.S. PATENT DOCUMENTS

2,430,142	A *	11/1947	Roberts	294/168
3,203,606	A *	8/1965	Masterson, Jr.	294/137
D217,002	S	3/1970	Wagner		
2,428,941	A	10/1974	Packard		
4,098,442	A	7/1978	Moore		
4,113,160	A *	9/1978	Spiers	294/168
4,135,655	A	1/1979	Brown		
4,177,911	A	12/1979	Griffin		
D255,317	S *	6/1980	Slinkard	D8/14
D263,925	S *	4/1982	Whipple	D8/14
D268,477	S *	4/1983	Underdahl	D8/71
4,463,977	A *	8/1984	Wyatt	294/26
D286,972	S *	12/1986	Crews	D8/14
4,630,838	A *	12/1986	Stockton	280/47.17
D288,276	S *	2/1987	Harney	D8/14

D289,367	S *	4/1987	Secor	D8/71
4,695,085	A *	9/1987	Cassels	294/15
D302,234	S *	7/1989	McNamee et al.	D8/71
D317,703	S	6/1991	Cydrus		
5,069,495	A	12/1991	Mears		
5,190,329	A *	3/1993	Steer et al.	294/15
5,257,843	A *	11/1993	Nunn	294/15
D349,437	S	8/1994	Mock et al.		
5,794,998	A *	8/1998	Lapierre	294/15
D423,309	S *	4/2000	Sirmans	D8/14
6,241,297	B1 *	6/2001	Miller et al.	294/15
D448,980	S	10/2001	Fredrickson		
D480,282	S *	10/2003	Frantz	D8/14
D565,368	S *	4/2008	Brooke	D8/14
D579,290	S *	10/2008	Brooke	D8/14

* cited by examiner

Primary Examiner — Phillip S Hyder

Assistant Examiner — Roselynn Ulm Cody

(74) *Attorney, Agent, or Firm* — Jonathan M. Hodge

(57) **CLAIM**

The ornamental design for a construction sheet carrying appliance, as shown and described.

DESCRIPTION

FIG. 1 is a rear elevational view of the construction sheet carrying appliance showing my new design;

FIG. 2 is a top plan view thereof;

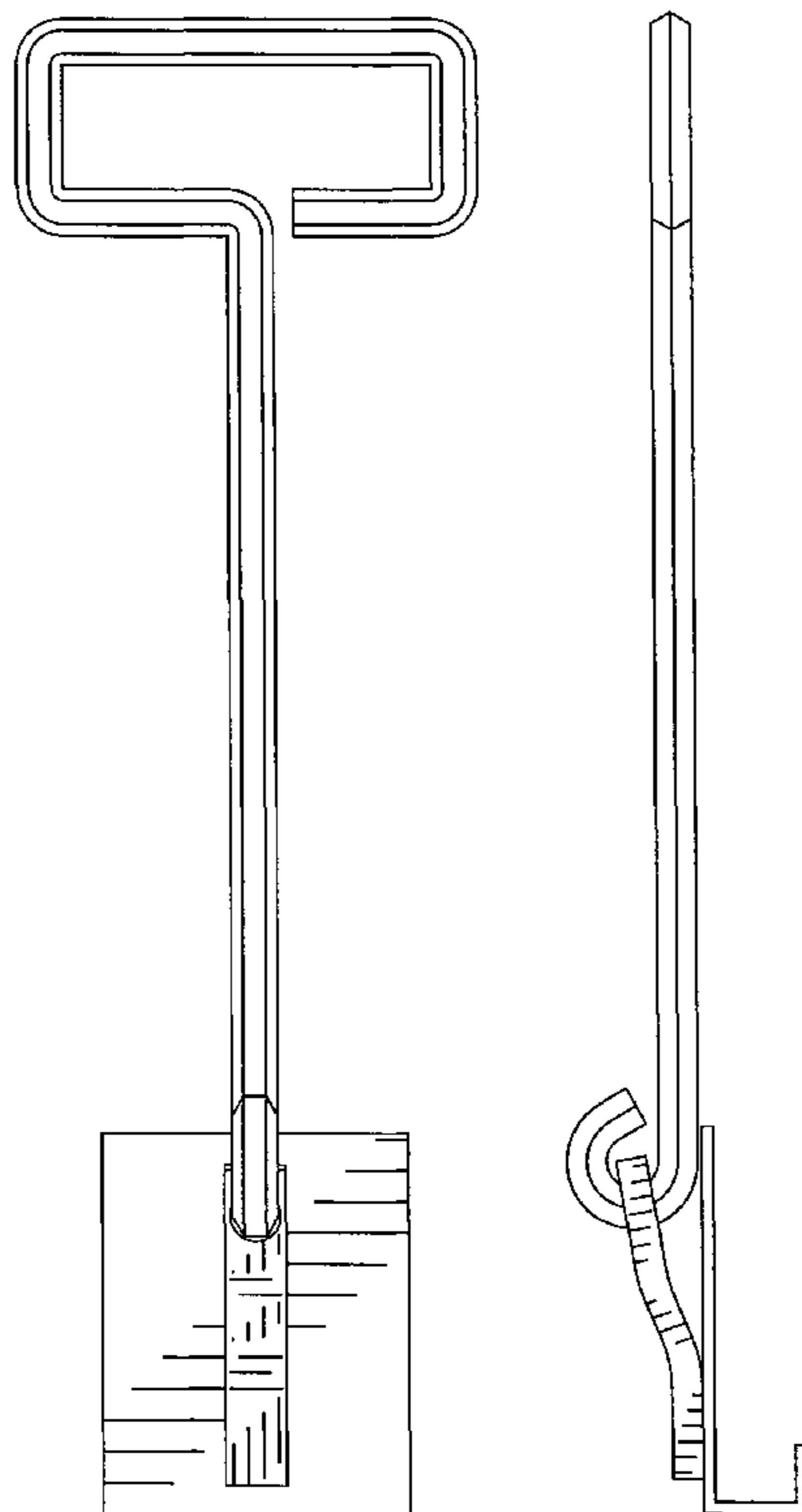
FIG. 3 is a left side elevational view thereof;

FIG. 4 is a front elevational view thereof;

FIG. 5 is a right side elevational view thereof; and,

FIG. 6 is a bottom plan view thereof.

1 Claim, 6 Drawing Sheets



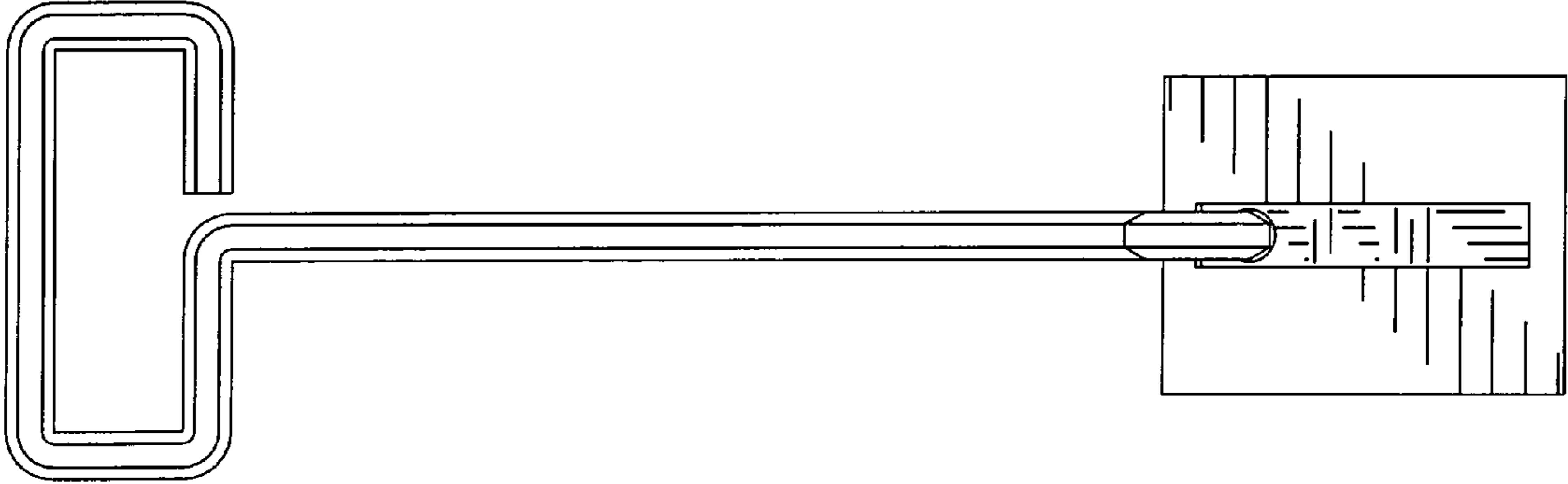


FIG. 1

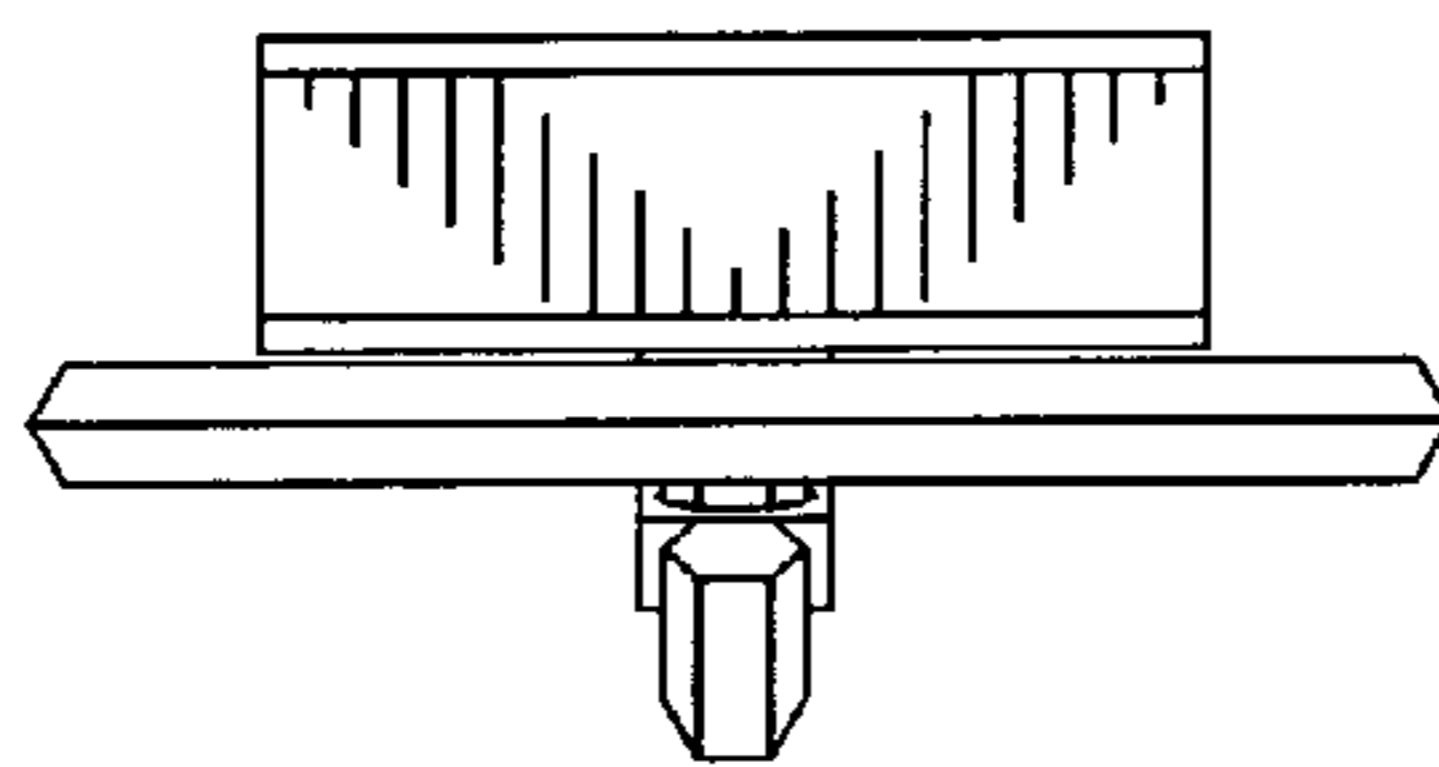


FIG. 2

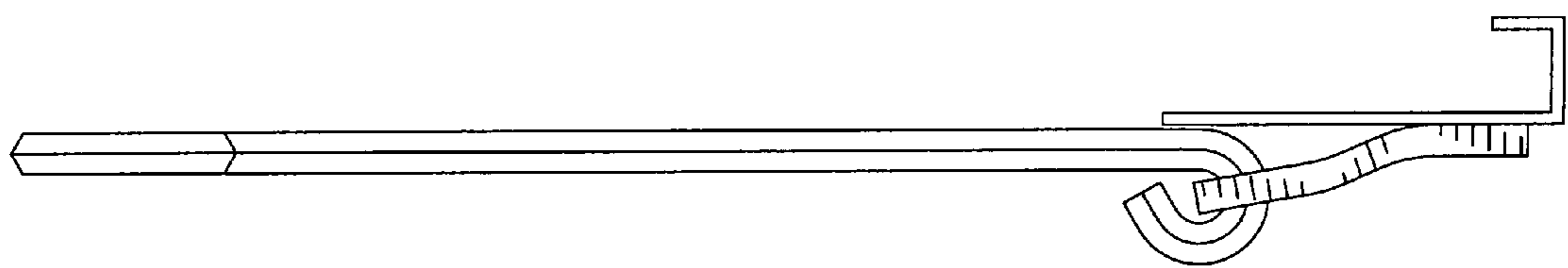


FIG. 3

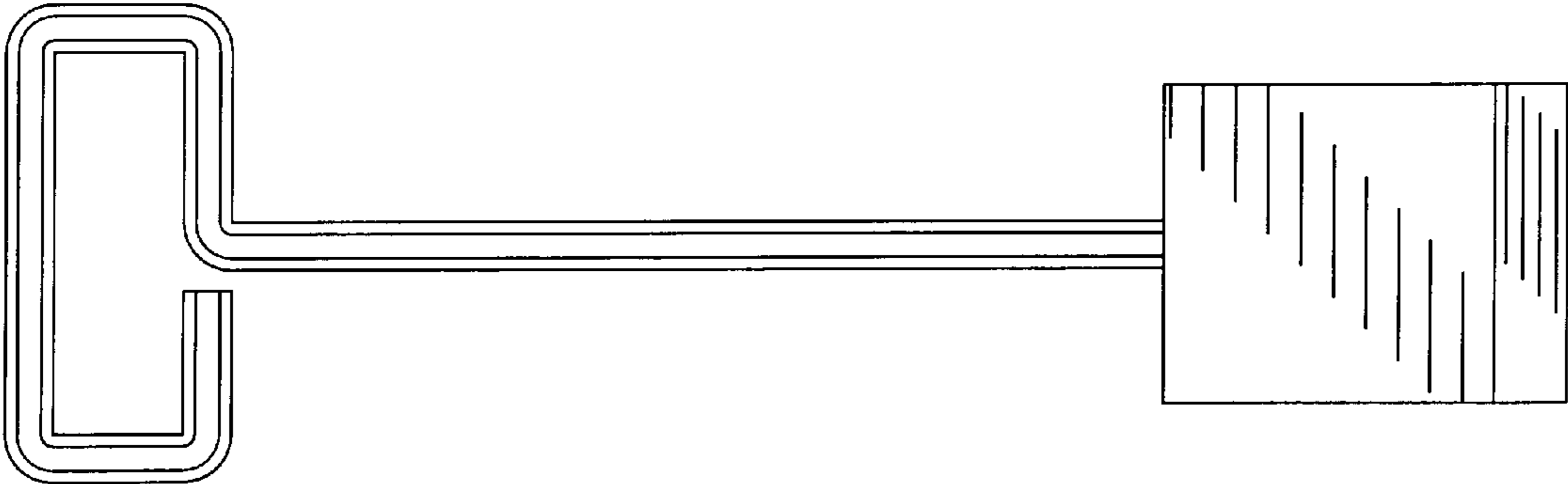


FIG. 4

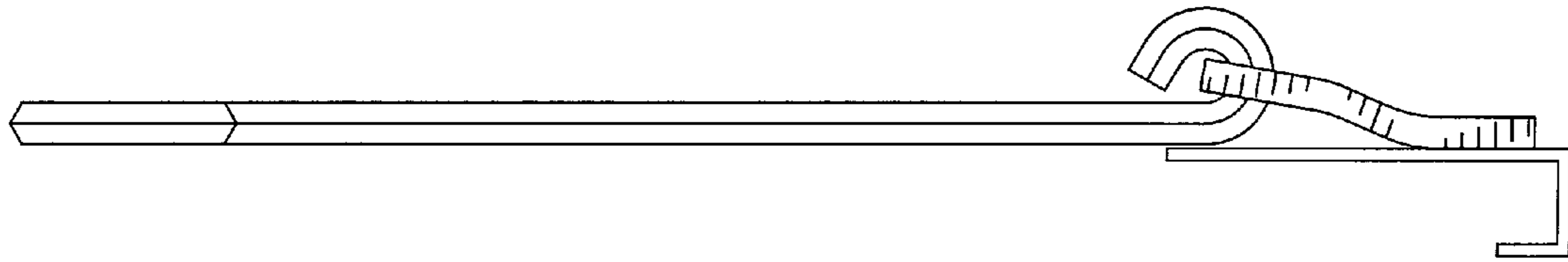


FIG. 5

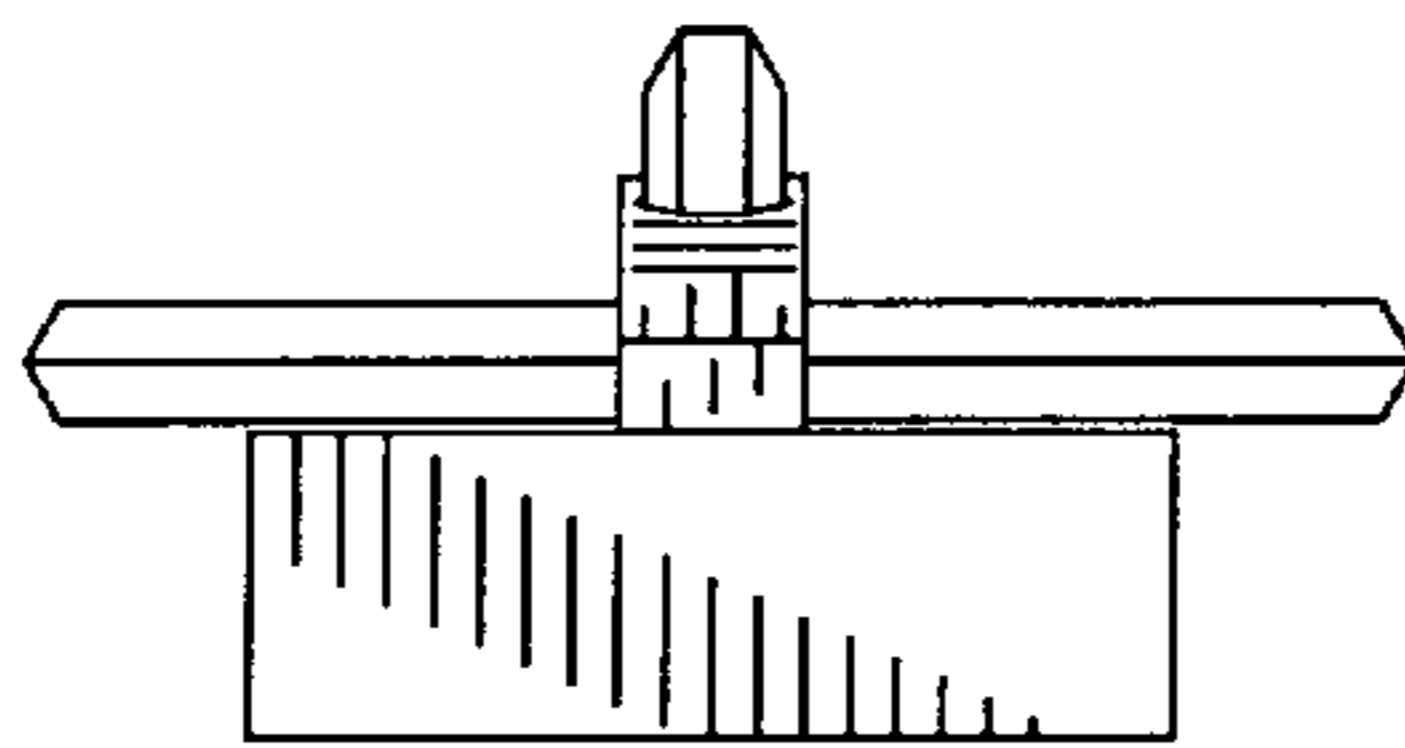


FIG. 6