



US00D642025S

(12) **United States Design Patent**
Scheurer

(10) **Patent No.:** **US D642,025 S**
(45) **Date of Patent:** **** Jul. 26, 2011**

(54) **SPRINKLER HEAD GRASS TRIMMING
ACCESSORY**

(76) Inventor: **Gerald K. Scheurer**, Niceville, FL (US)

(**) Term: **14 Years**

(21) Appl. No.: **29/366,374**

(22) Filed: **Jul. 23, 2010**

Related U.S. Application Data

(63) Continuation-in-part of application No. 11/939,010,
filed on Nov. 13, 2007, now abandoned.

(51) **LOC (9) Cl.** **08-01**

(52) **U.S. Cl.** **D8/8**

(58) **Field of Classification Search** D8/7, 8,
D8/9; 30/208, 276, 228, 382, 383, 216; 56/12.7,
56/233-237

See application file for complete search history.

(56) **References Cited**

U.S. PATENT DOCUMENTS

3,555,680	A	1/1971	Ford	
3,565,179	A	2/1971	Paliani	
3,923,102	A	12/1975	Morris	
D242,894	S	1/1977	Harris	
4,209,903	A	7/1980	Owens	
4,357,752	A	11/1982	Goodwin, Jr.	
4,547,966	A	10/1985	Eden	
5,493,783	A	2/1996	Oostendorp	
D450,226	S *	11/2001	Martin	D8/8
D463,231	S *	9/2002	Robson	D8/8

D463,722	S *	10/2002	Robson	D8/8
D547,143	S *	7/2007	Evans et al.	D8/8
D548,029	S *	8/2007	Evans et al.	D8/8
D552,436	S *	10/2007	Stratford	D8/8
D566,491	S *	4/2008	Martin et al.	D8/8
D580,719	S *	11/2008	Baxter	D8/8
2002/0083596	A1 *	7/2002	Richardson et al.	30/276

* cited by examiner

Primary Examiner — Cynthia M Chin

Assistant Examiner — Sheryl Lane

(74) *Attorney, Agent, or Firm* — Crossley Patent Law; Mark A. Crossley

(57) **CLAIM**

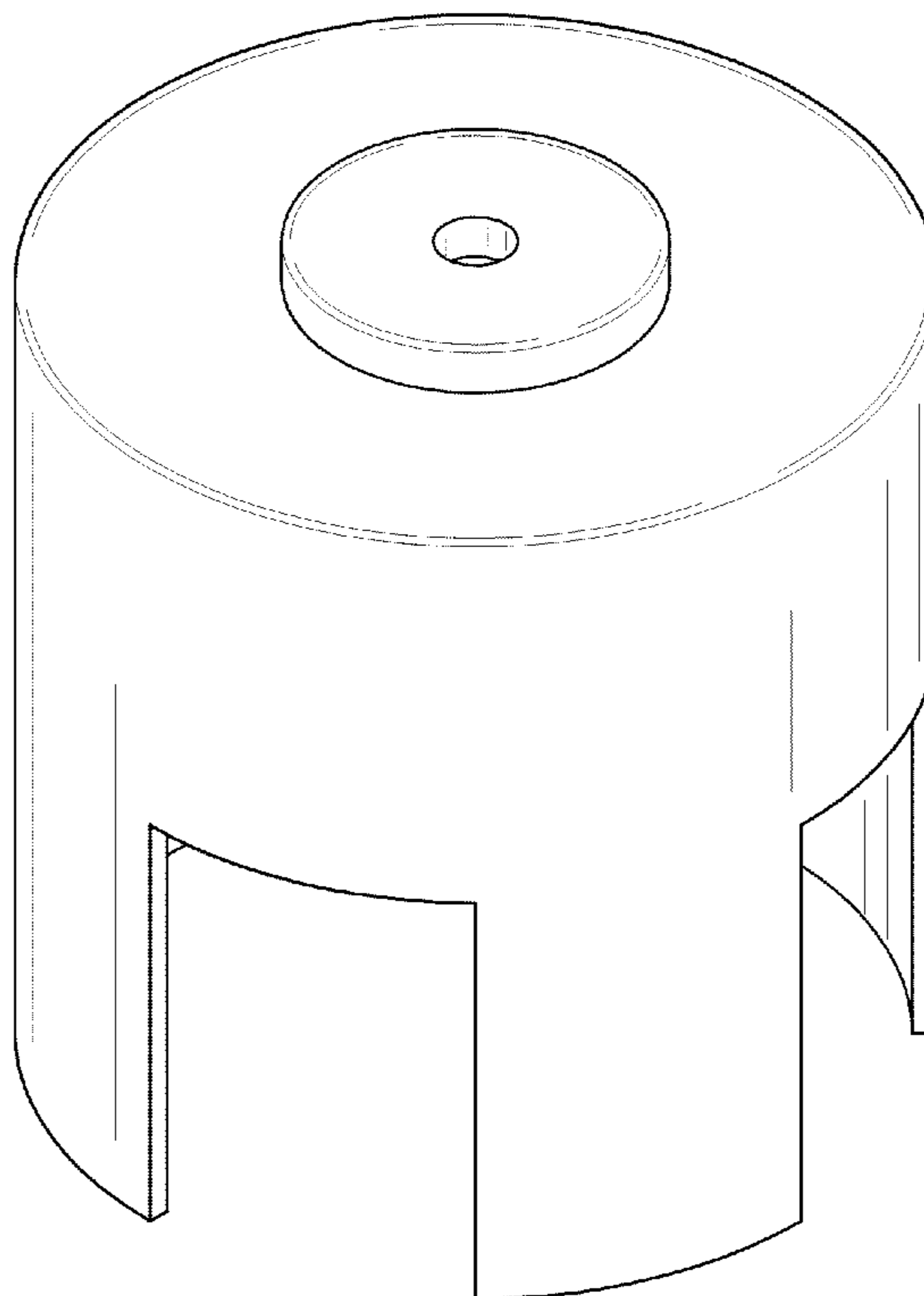
The ornamental design for a sprinkler head grass trimming accessory, as shown and described.

DESCRIPTION

FIG. 1 is an isometric view of a sprinkler head grass trimming accessory showing my new design;
 FIG. 2 is a front elevation view thereof, the opposite side being a mirror image of the shown;
 FIG. 3 is a cross-section view thereof taken along line 3—3 of FIG. 2;
 FIG. 4 is a top plan view thereof;
 FIG. 5 is a bottom plan view thereof;
 FIG. 6 is an in-use isometric view thereof; and,
 FIG. 7 is an isometric view of an alternative embodiment thereof.

The broken lines in the drawings depict environmental subject matter only and form no part of the claimed design.

1 Claim, 5 Drawing Sheets



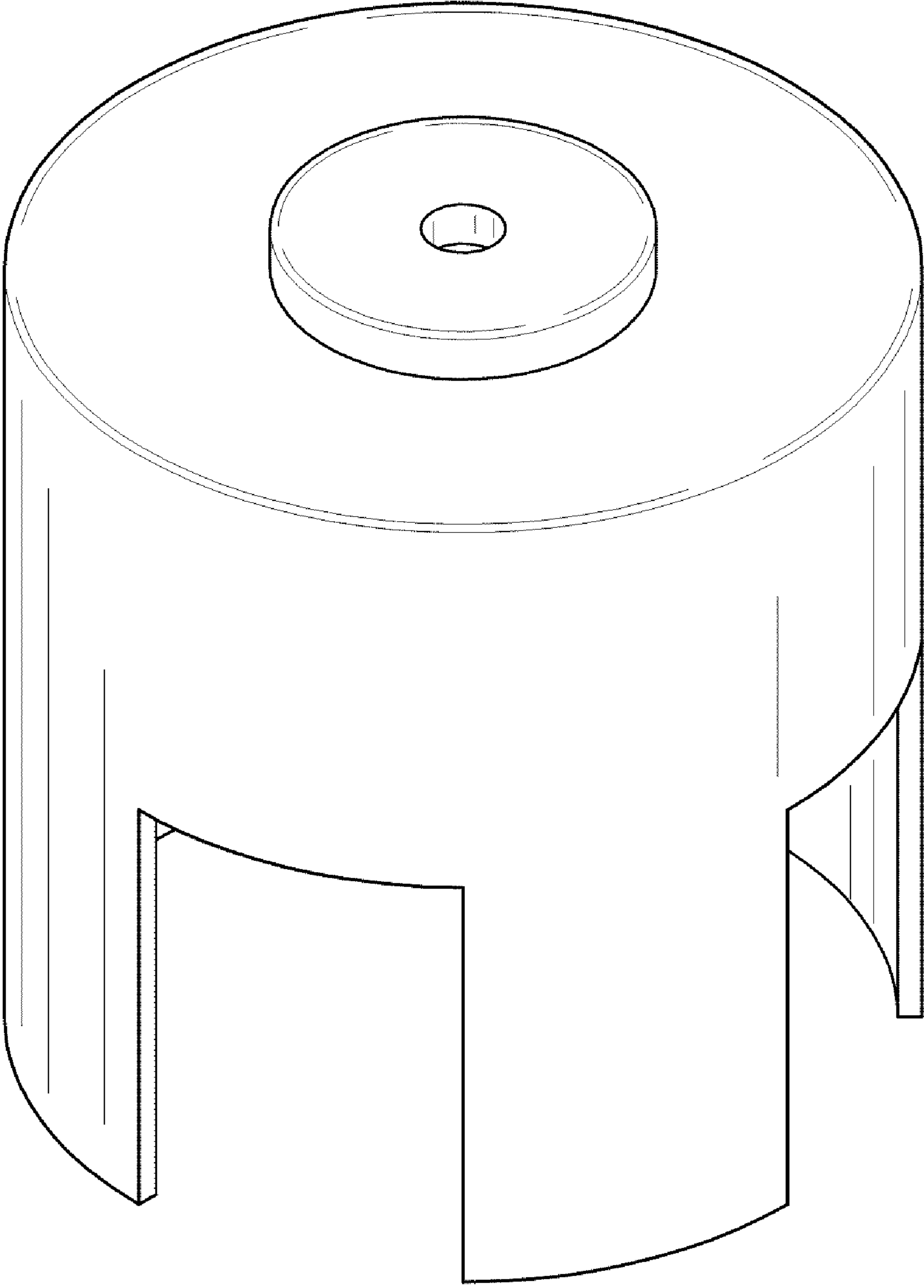


FIG. 1

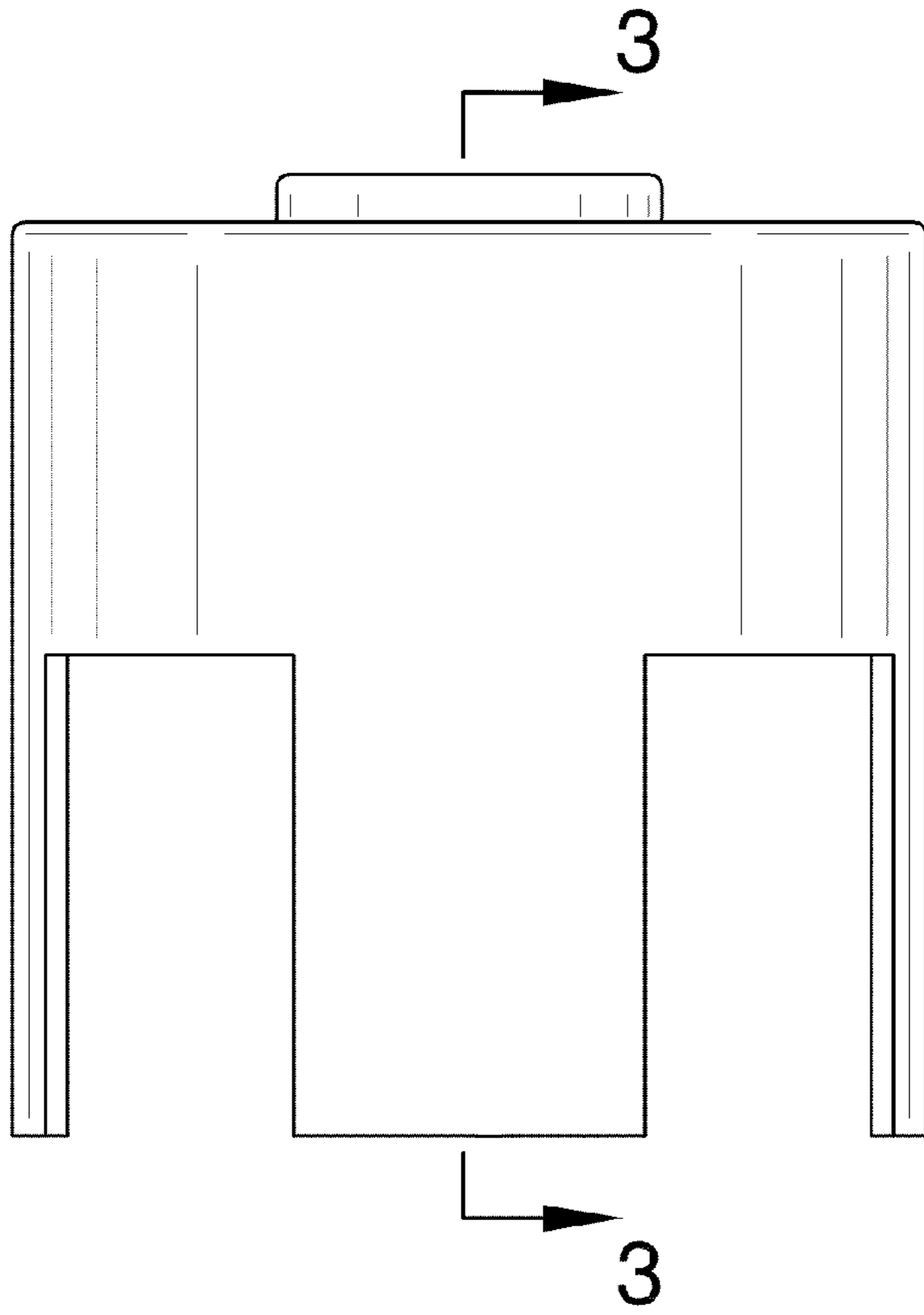
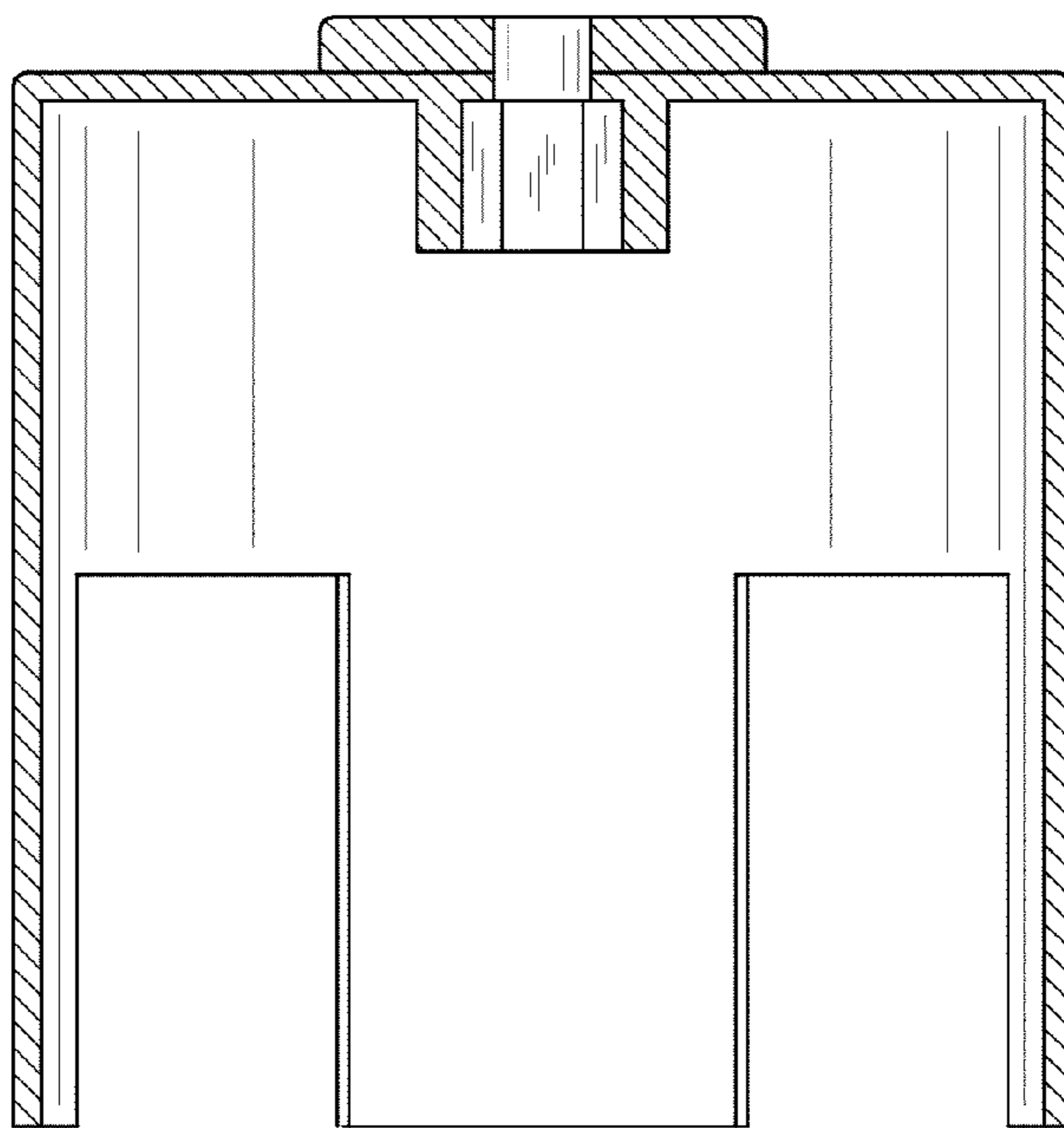


FIG. 2

FIG. 3



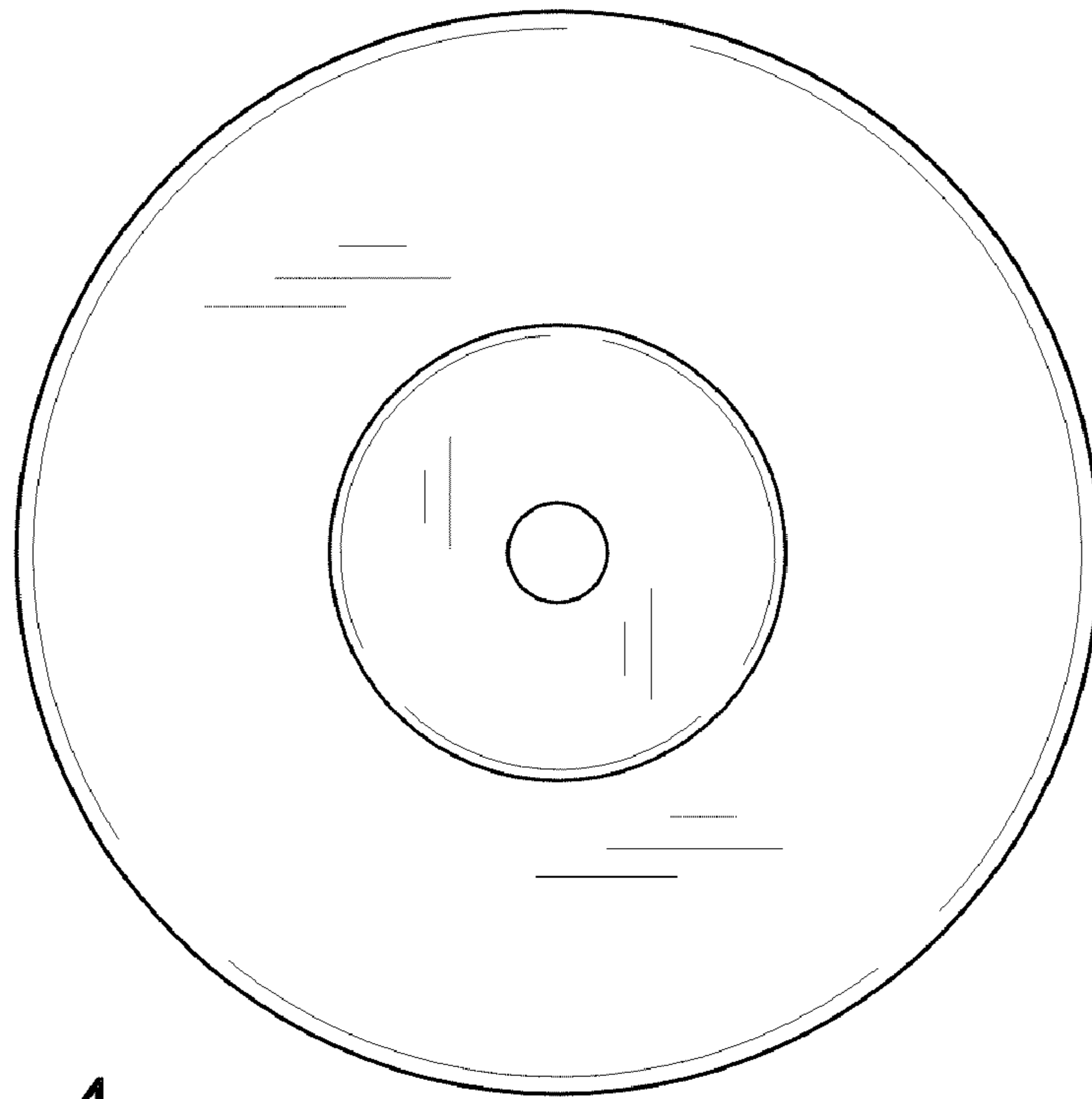


FIG. 4

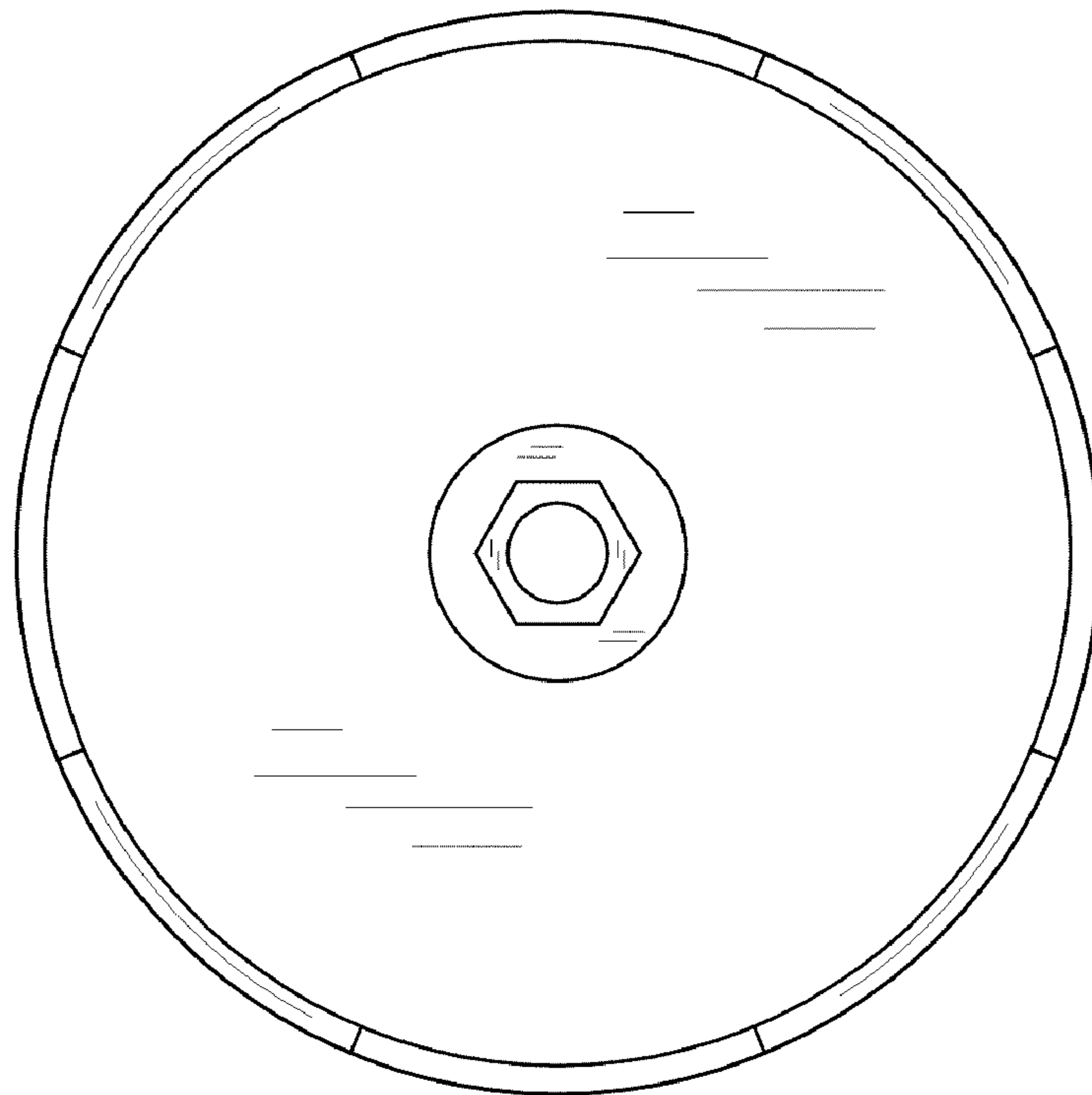


FIG. 5

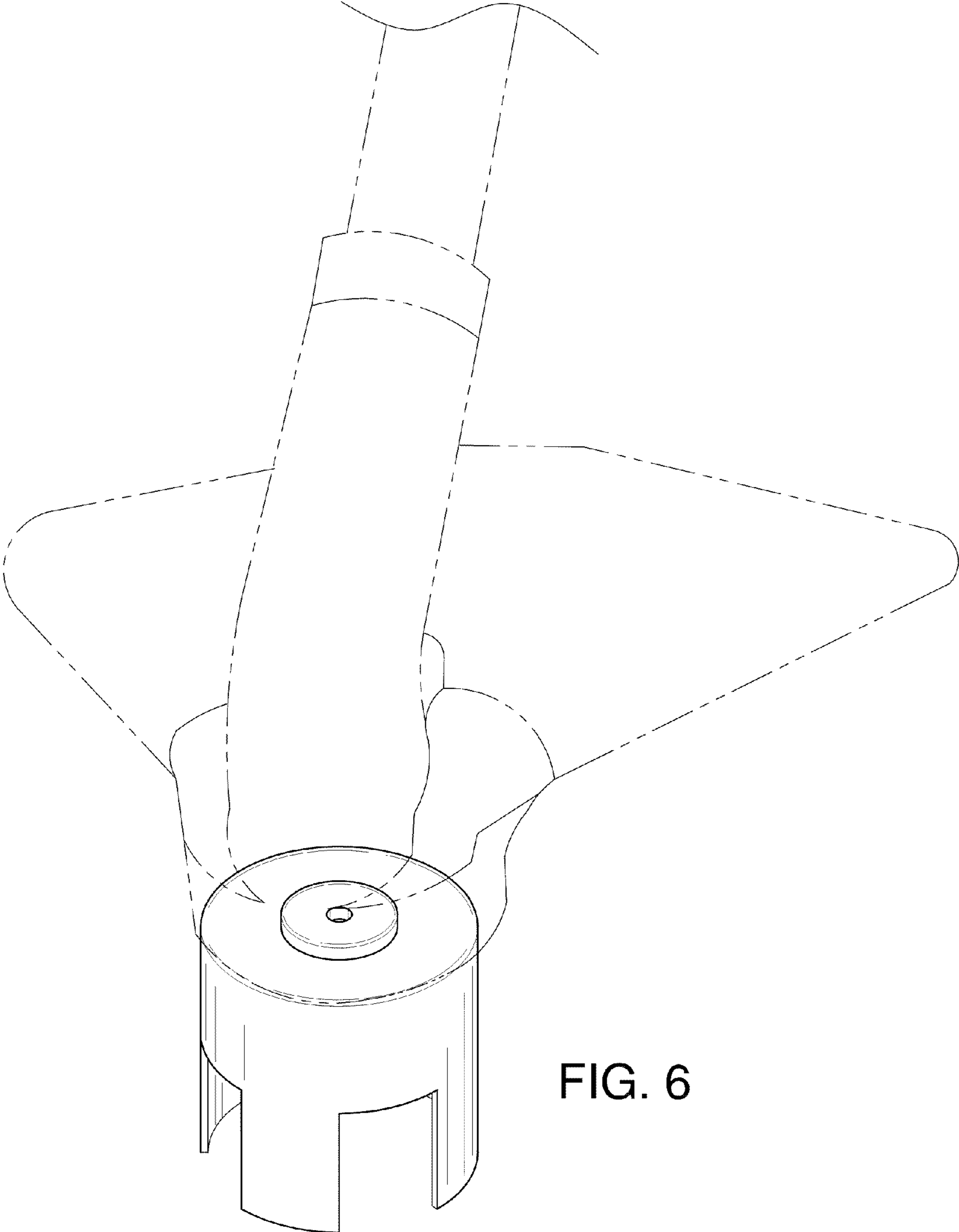


FIG. 6

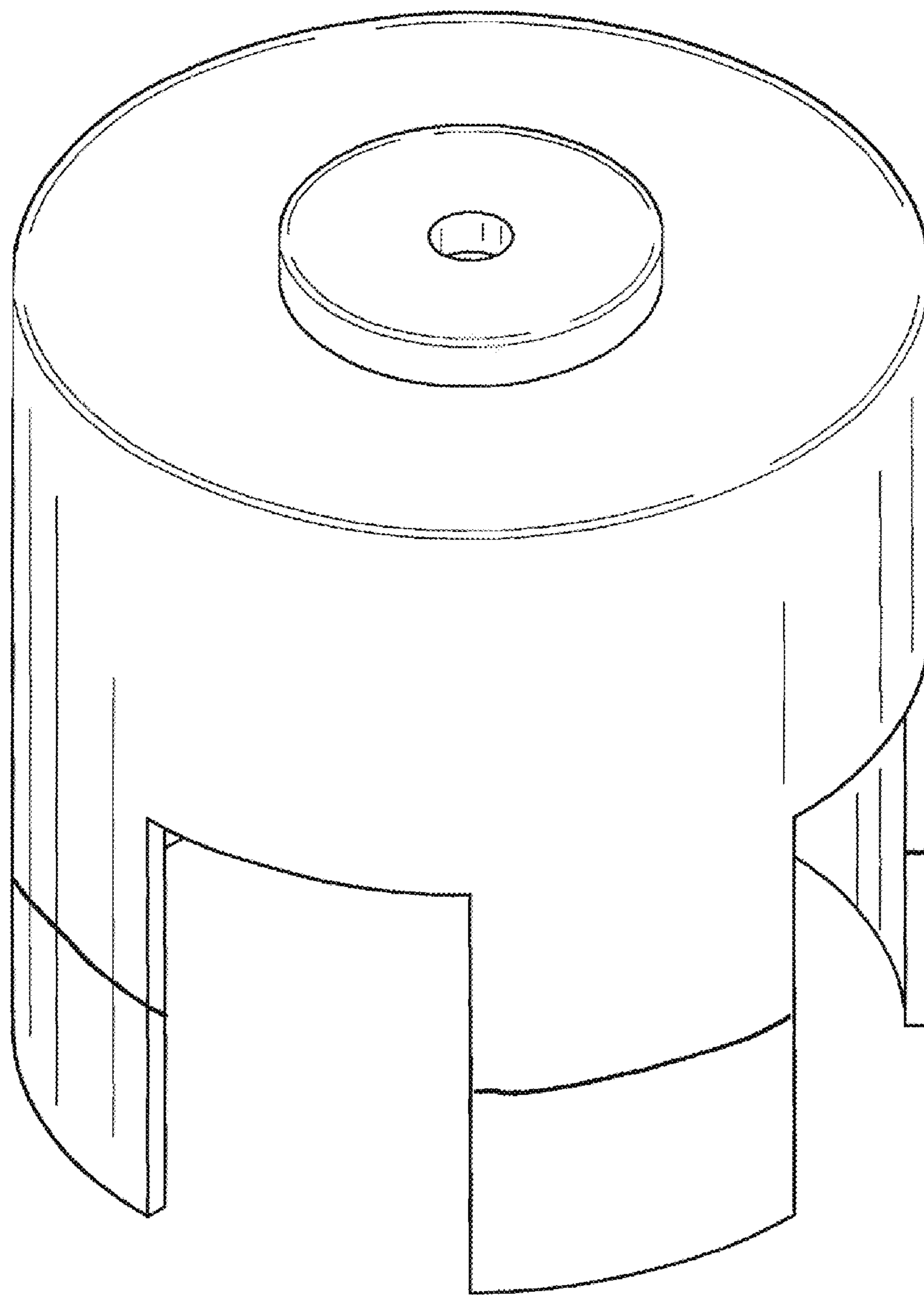


FIG. 7