



US00D642024S

(12) **United States Design Patent**
Hsu

(10) **Patent No.:** **US D642,024 S**
(45) **Date of Patent:** **** Jul. 26, 2011**

(54) **MANUAL LOOSENER**

Primary Examiner — Holly Baynham
Assistant Examiner — Sheryl Lane

(76) Inventor: **Shih-Hao Hsu**, Changhua County (TW)

(**) Term: **14 Years**

(57) **CLAIM**

The ornamental design for a manual loosener, as shown and described.

(21) Appl. No.: **29/361,278**

(22) Filed: **May 9, 2010**

DESCRIPTION

(51) **LOC (9) Cl.** **08-01**

(52) **U.S. Cl.** **D8/8**

(58) **Field of Classification Search** D8/1, 6,
D8/7, 8; D15/28; 172/349, 350, 253, 351,
172/13

See application file for complete search history.

FIG. 1 is a perspective view of a manual loosener showing my new design;
FIG. 2 is a front elevational view thereof;
FIG. 3 is a rear elevational view thereof;
FIG. 4 is a left side elevational view thereof;
FIG. 5 is a right side elevational view thereof;
FIG. 6 is a rear elevation view with the head of the tool rotated; and,
FIG. 7 is a front elevation view with the head of the tool rotated.

(56) **References Cited**

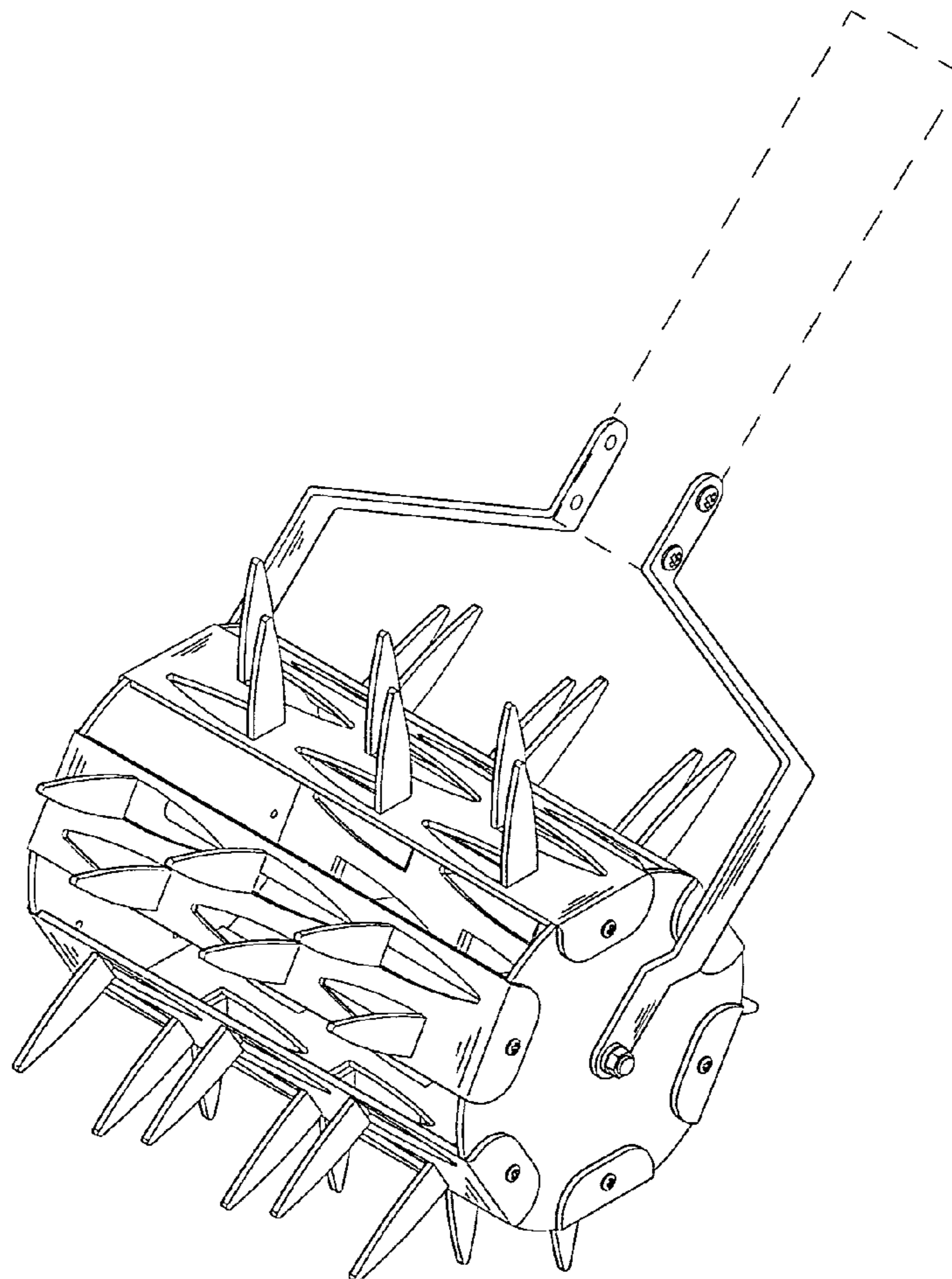
U.S. PATENT DOCUMENTS

D251,768 S *	5/1979	Dellinger	D8/7
D268,000 S *	2/1983	Dellinger	D8/8
D299,204 S *	1/1989	Nappi	D8/8
5,632,342 A *	5/1997	Knoblich et al.	172/21
7,735,573 B2 *	6/2010	Catalano	172/349
2008/0128147 A1 *	6/2008	Lynch	172/349

* cited by examiner

The broken lines showing of the manual loosener is included for the purpose of illustrating portions of the article and forms no part of the claimed design.

1 Claim, 7 Drawing Sheets



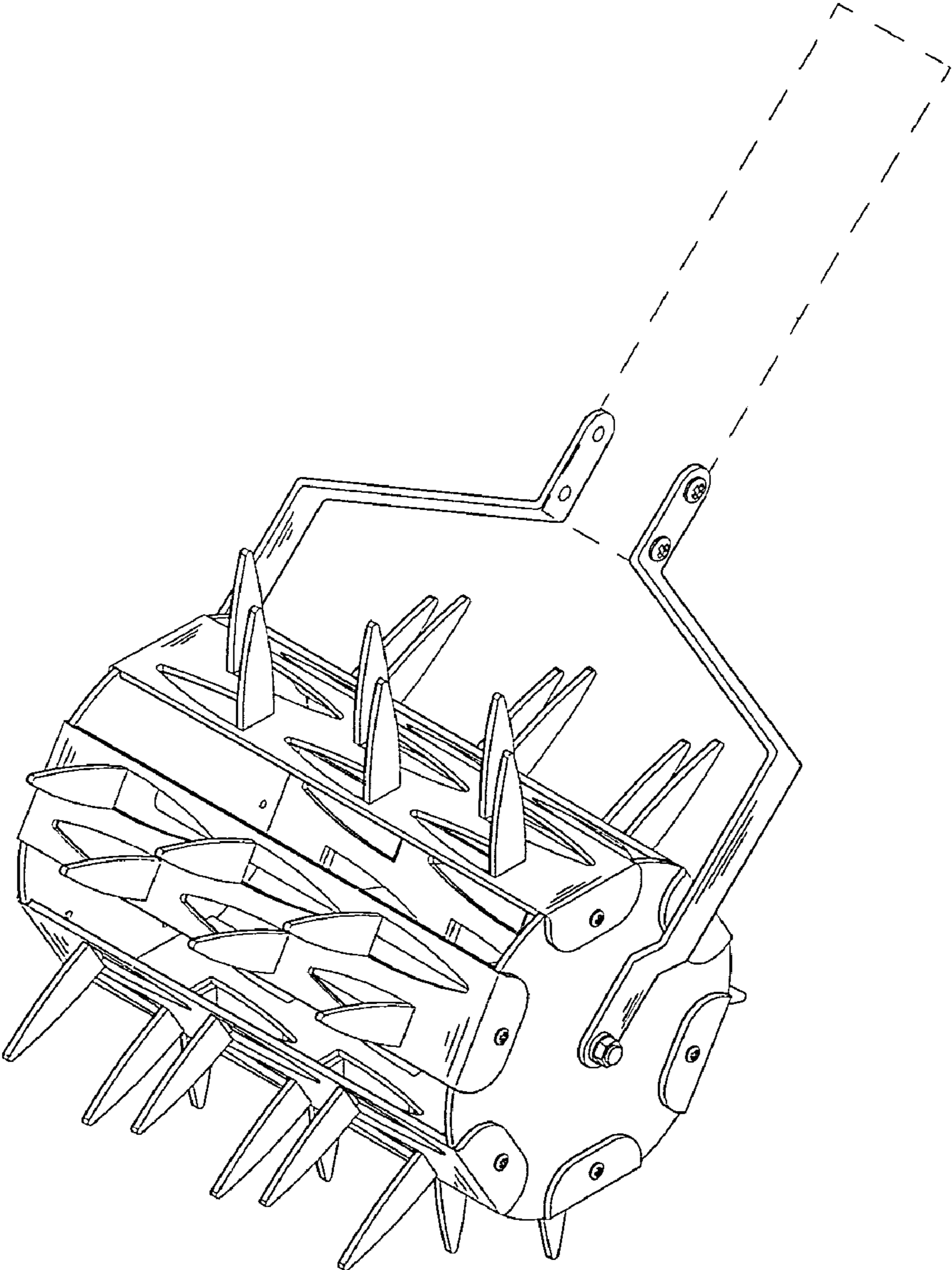


FIG. 1

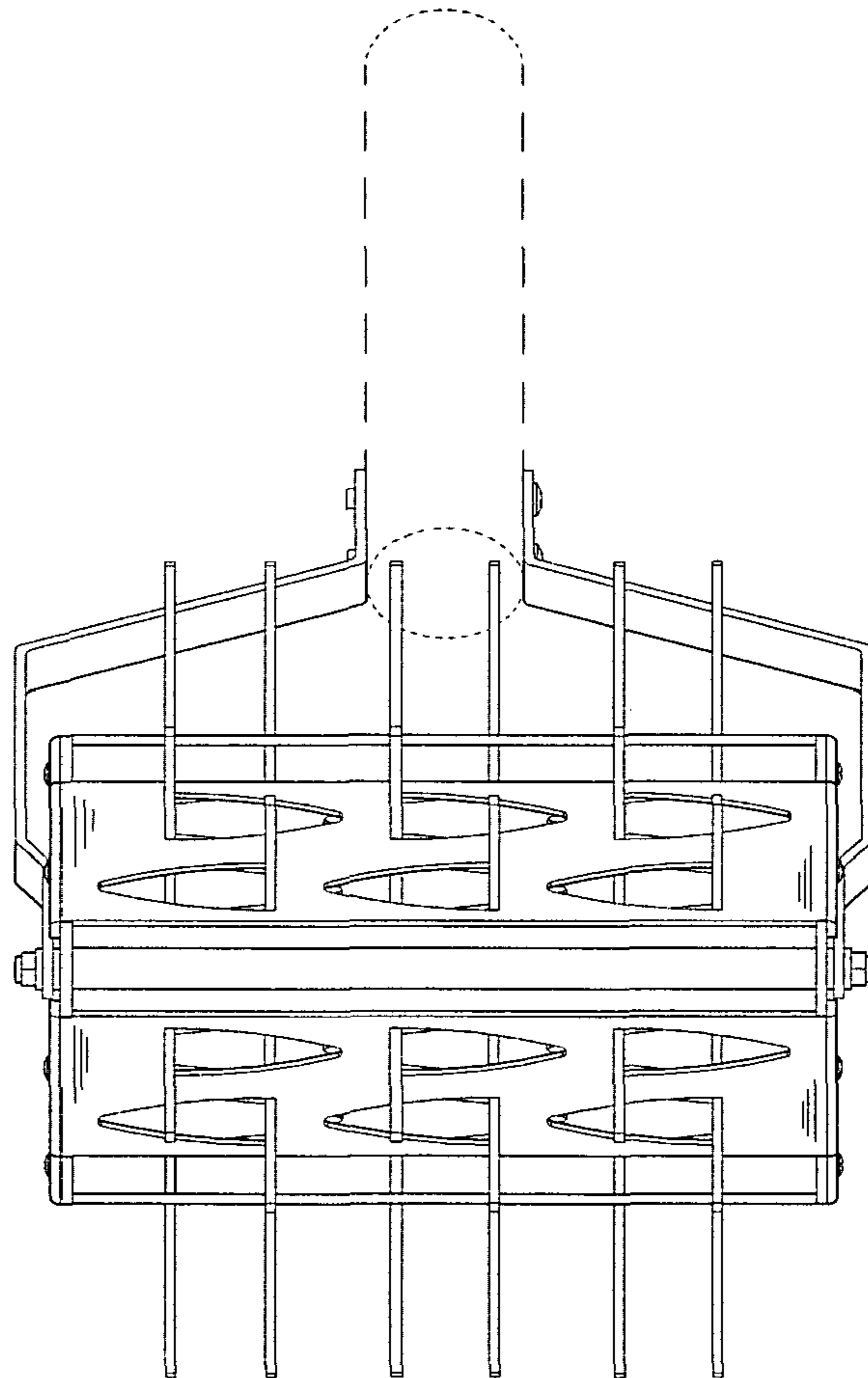


FIG. 2

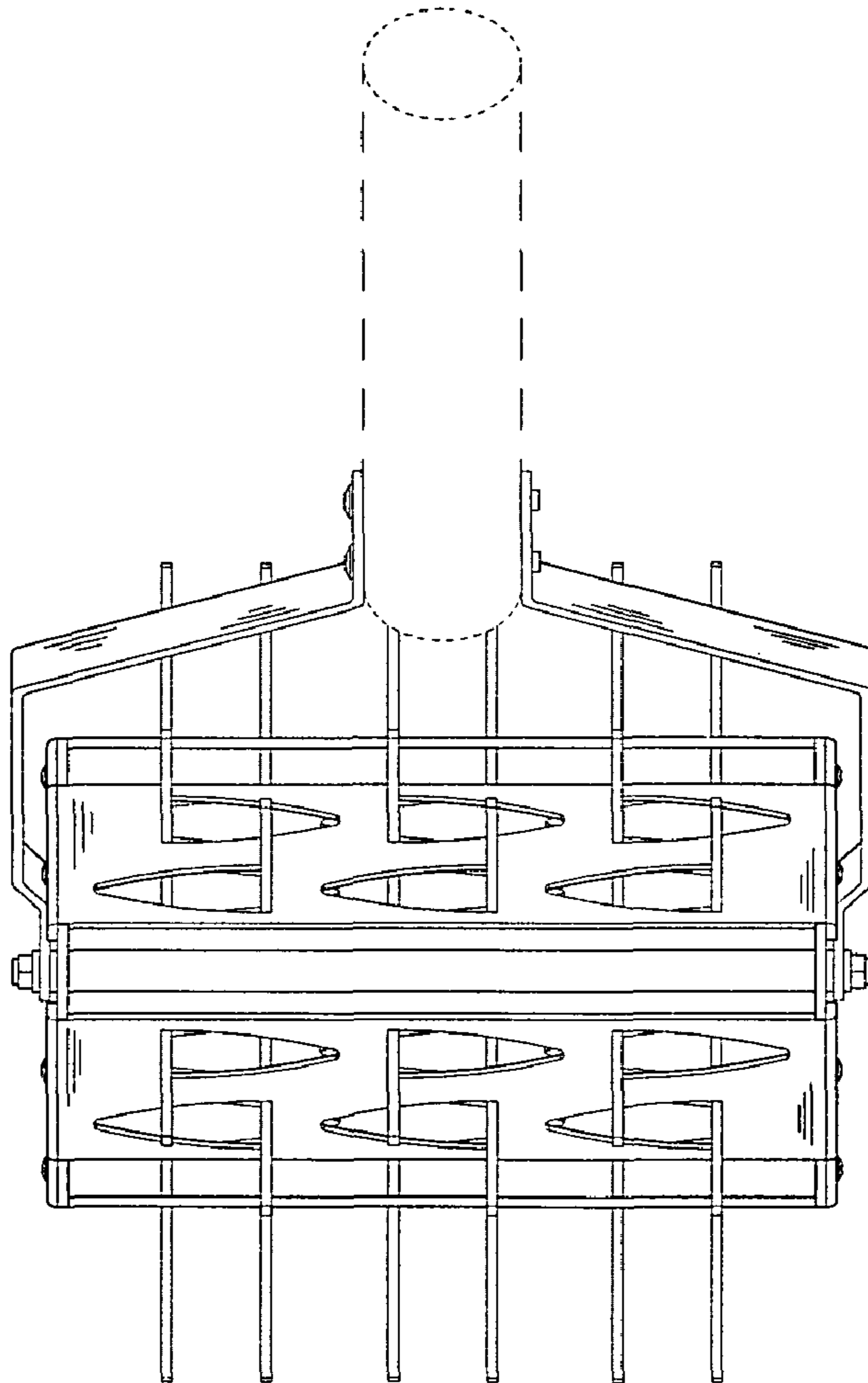


FIG. 3

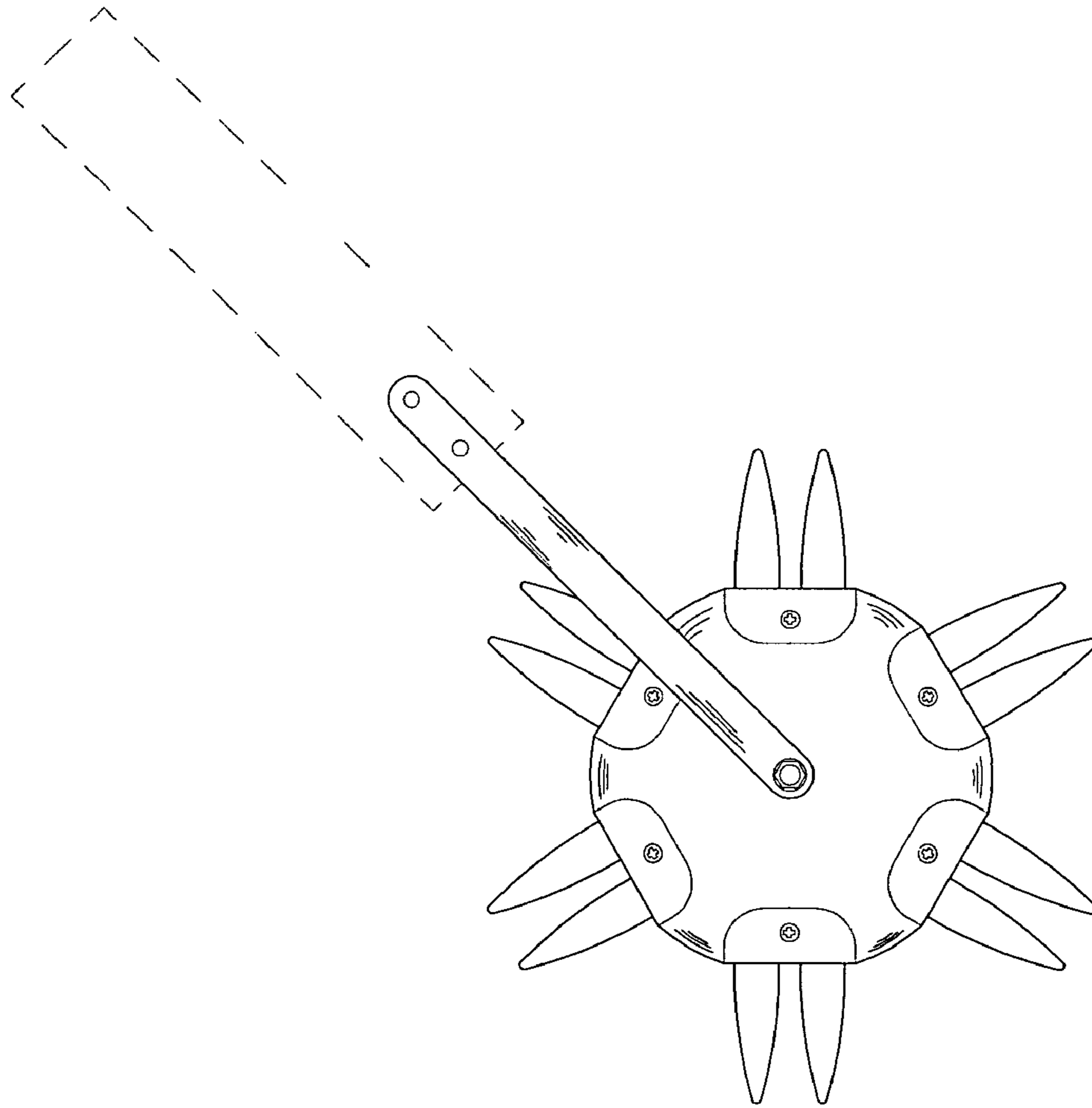


FIG. 4

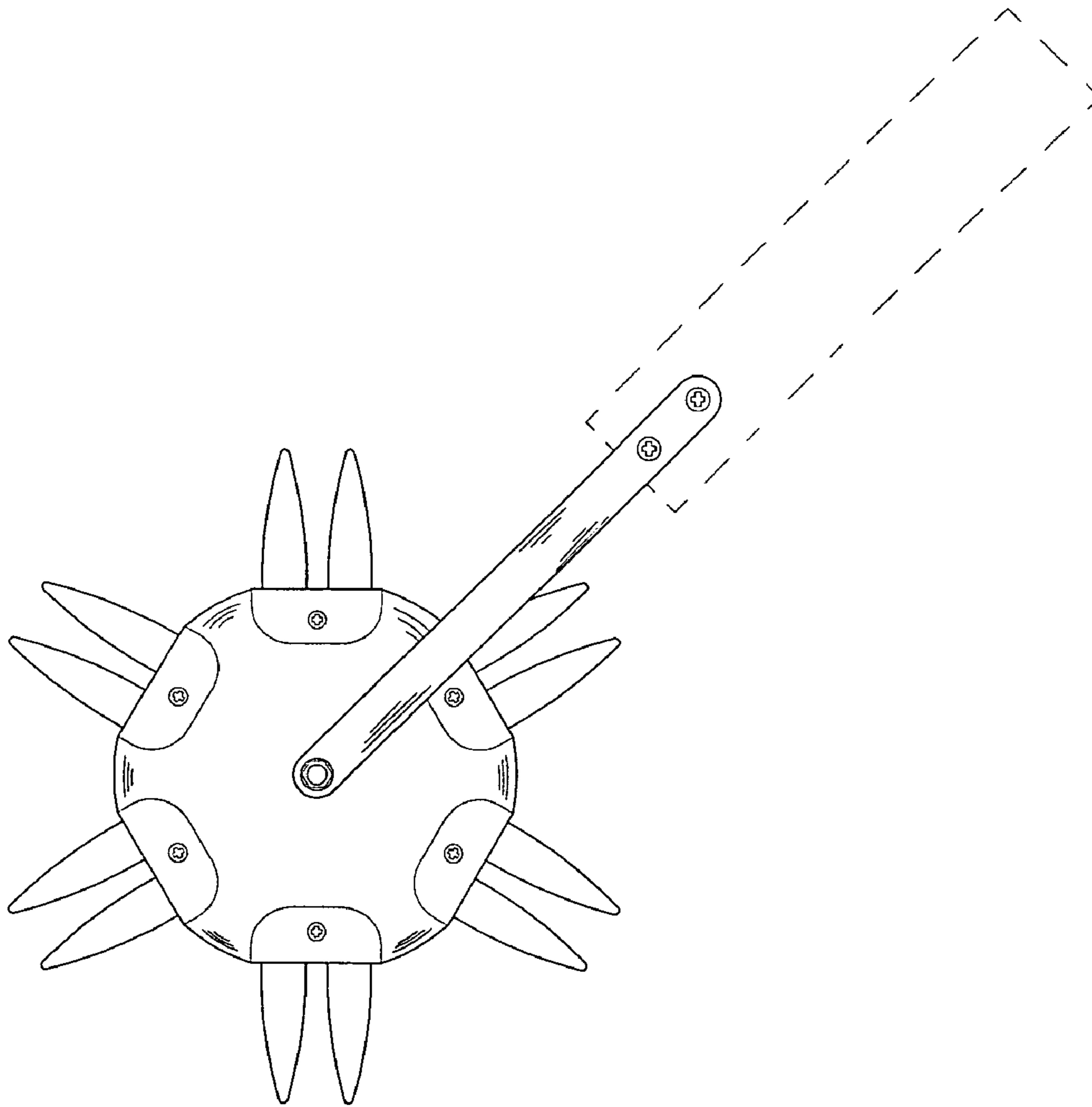


FIG. 5

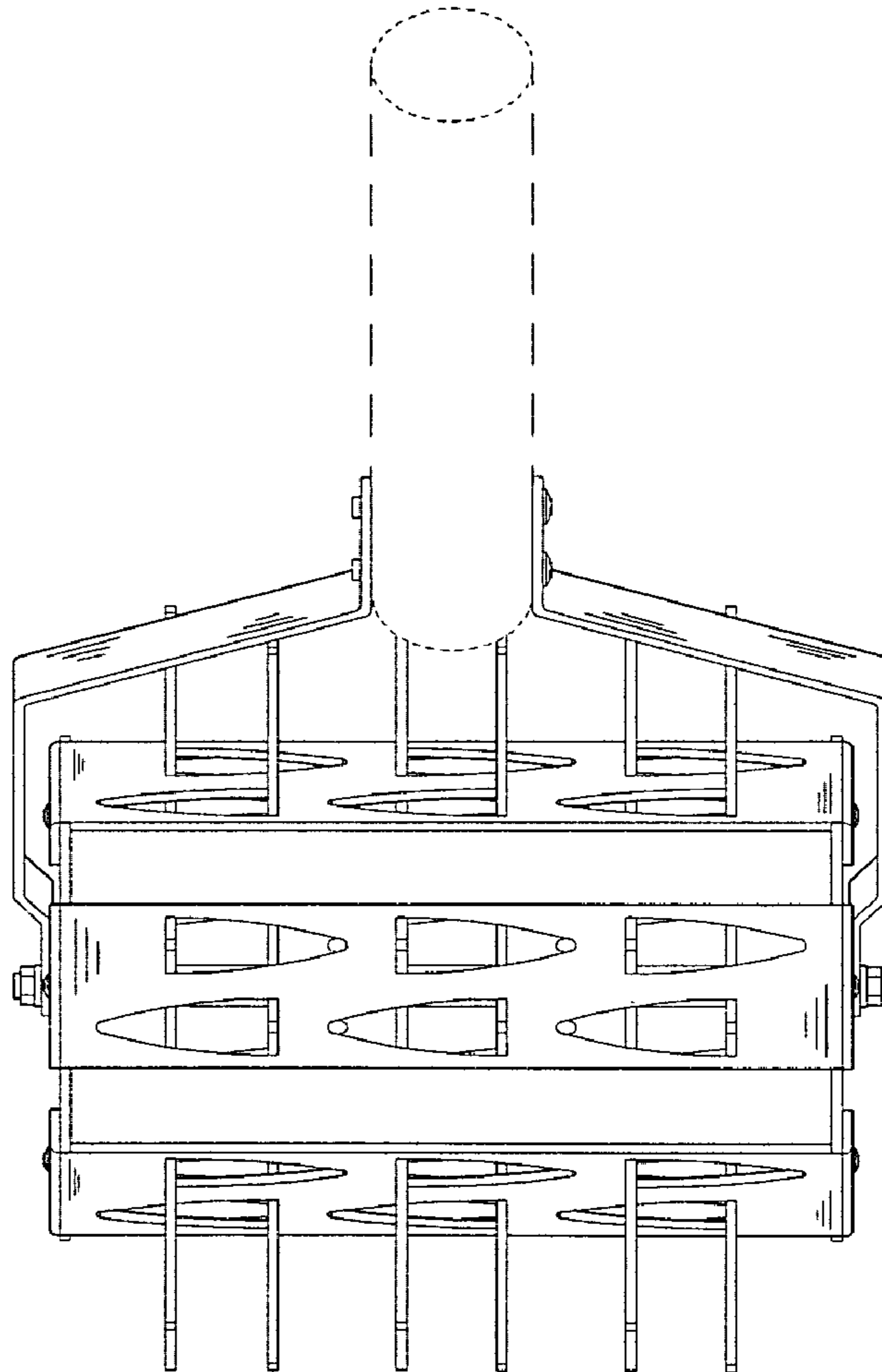


FIG. 6

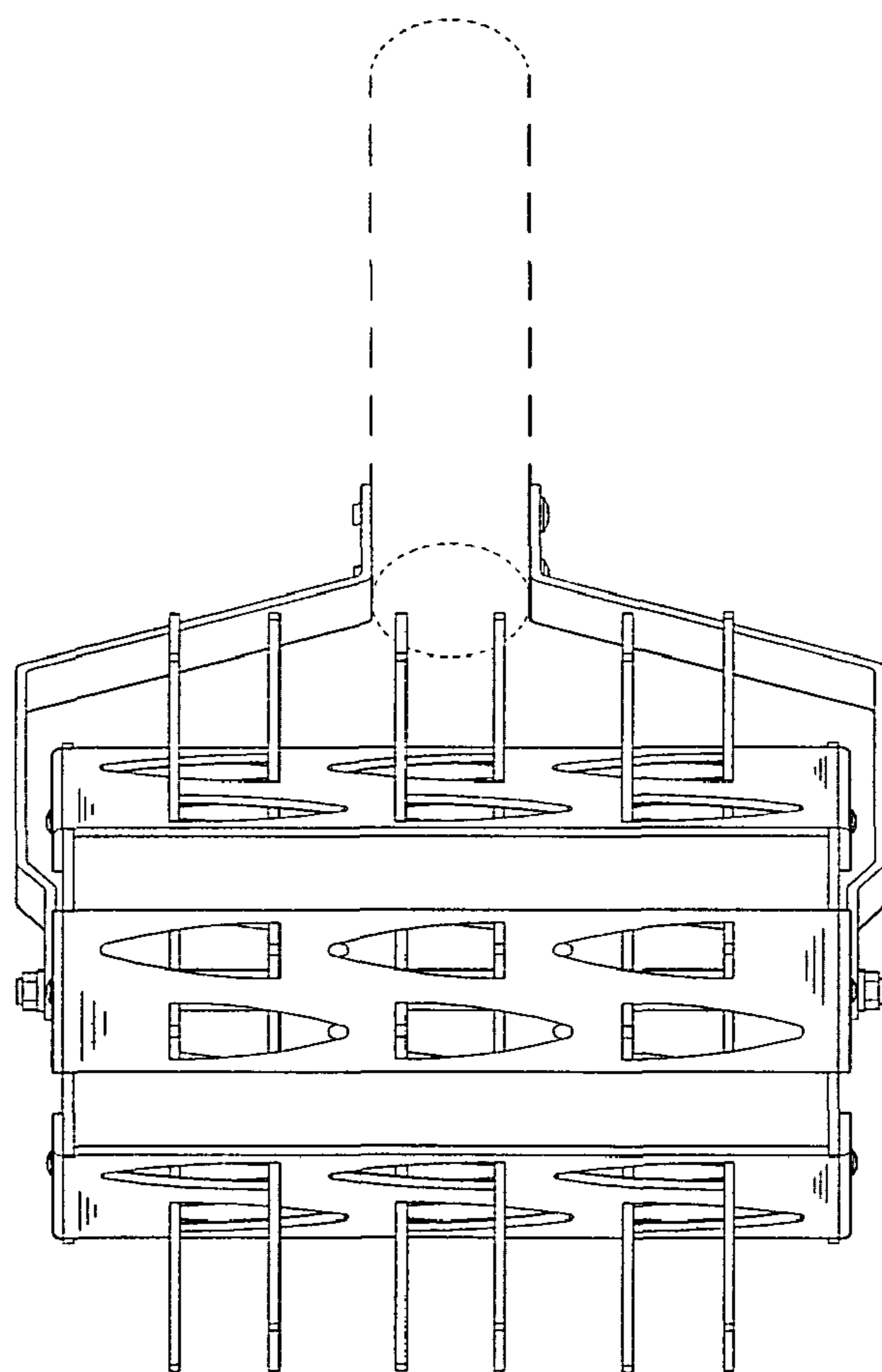


FIG. 7