



US00D642023S

(12) **United States Design Patent**
Reay

(10) **Patent No.:** **US D642,023 S**

(45) **Date of Patent:** **** Jul. 26, 2011**

(54) **MORTAR AND PESTLE SET**

(76) Inventor: **Gavin Reay**, London (GB)

(**) Term: **14 Years**

(21) Appl. No.: **29/304,286**

(22) Filed: **Feb. 28, 2008**

(51) **LOC (9) Cl.** **07-04**

(52) **U.S. Cl.** **D7/682**; D24/220

(58) **Field of Classification Search** D7/372,
D7/679, 682; D24/216-231; 241/169.2,
241/199, 199.9

See application file for complete search history.

D375,233	S	*	11/1996	Hirsch	D7/682
D406,019	S	*	2/1999	La Gro	D7/682
D472,323	S	*	3/2003	Sand	D24/220
D543,634	S	*	5/2007	Lundstrom	D24/220
D545,622	S	*	7/2007	Gomez	D7/507
D594,132	S	*	6/2009	Ceetham	D24/224
D596,308	S	*	7/2009	Fisher	D24/217
2009/0038485	A1	*	2/2009	Kavanaugh et al.	99/537

* cited by examiner

Primary Examiner — T. Chase Nelson

(74) *Attorney, Agent, or Firm* — Eugene M. Cummings, P.C.

(57) **CLAIM**

The ornamental design for a mortar and pestle set, as shown and described.

(56) **References Cited**

U.S. PATENT DOCUMENTS

63,304	A	*	3/1867	Reuter	241/293
278,575	A	*	5/1883	Maris	241/169.2
365,021	A	*	6/1887	Purdy	241/285.1
537,328	A	*	4/1895	White	241/169.2
874,756	A	*	12/1907	French	241/67
D56,119	S	*	8/1920	Crisenberry	D7/682
1,878,263	A	*	9/1932	Chott	241/199.9
D99,825	S	*	5/1936	Pennington	D7/682
2,161,998	A	*	6/1939	Chott	241/101.3
D146,024	S	*	12/1946	Graham	D7/682
2,525,867	A	*	10/1950	Cooper	241/199.9
D169,561	S	*	5/1953	Raymond	D7/682
D198,580	S	*	7/1964	Swett	D7/672
D231,923	S	*	6/1974	Johnsrud	D24/220
D261,346	S	*	10/1981	Thornley	D7/682
D269,471	S	*	6/1983	Auerbach	D32/35
4,967,971	A	*	11/1990	Smith	241/169
D346,536	S	*	5/1994	Thornley	D7/682

DESCRIPTION

FIG. 1 is a perspective view of a mortar and pestle set showing the new design.

FIG. 2 is a side view of the mortar of the mortar and pestle set.

FIG. 3 is a top view of the mortar of the mortar and pestle set.

FIG. 4 is a bottom view of the mortar of the mortar and pestle set.

FIG. 5 is a side view of the pestle of the mortar and pestle set.

FIG. 6 is a top view of the pestle of the mortar and pestle set; and,

FIG. 7 is a bottom view of the pestle of the mortar and pestle set.

The broken lines are for illustrative purposes only, and form no part of the claimed design.

1 Claim, 5 Drawing Sheets

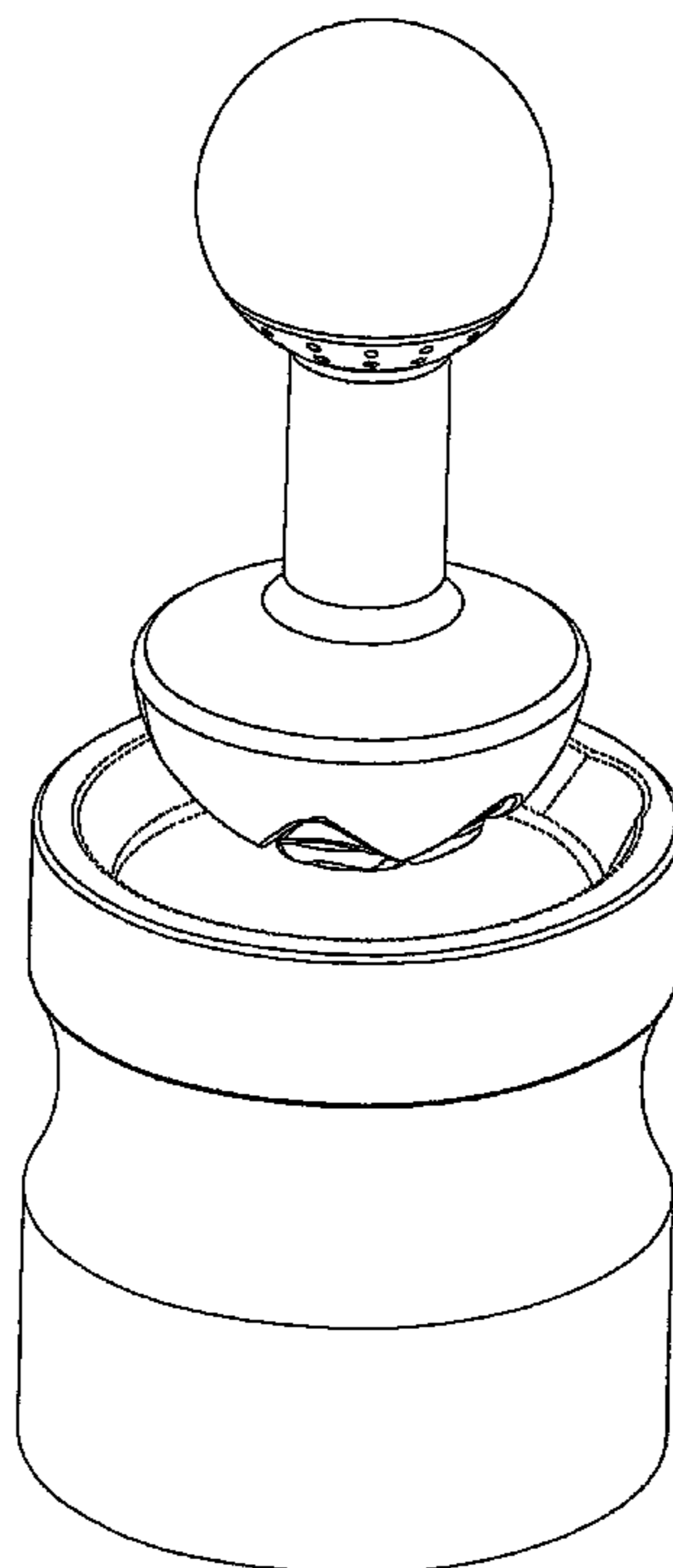


Figure 1

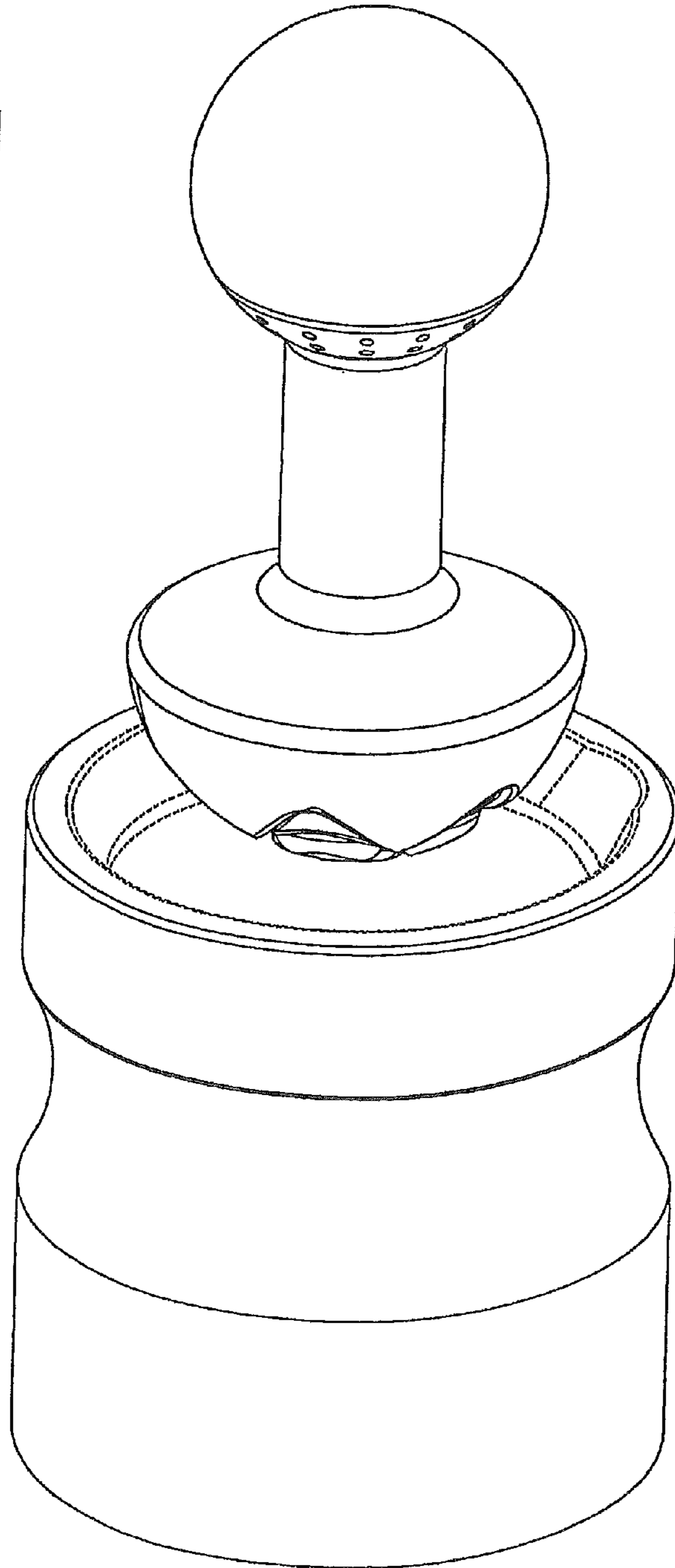


Figure 2

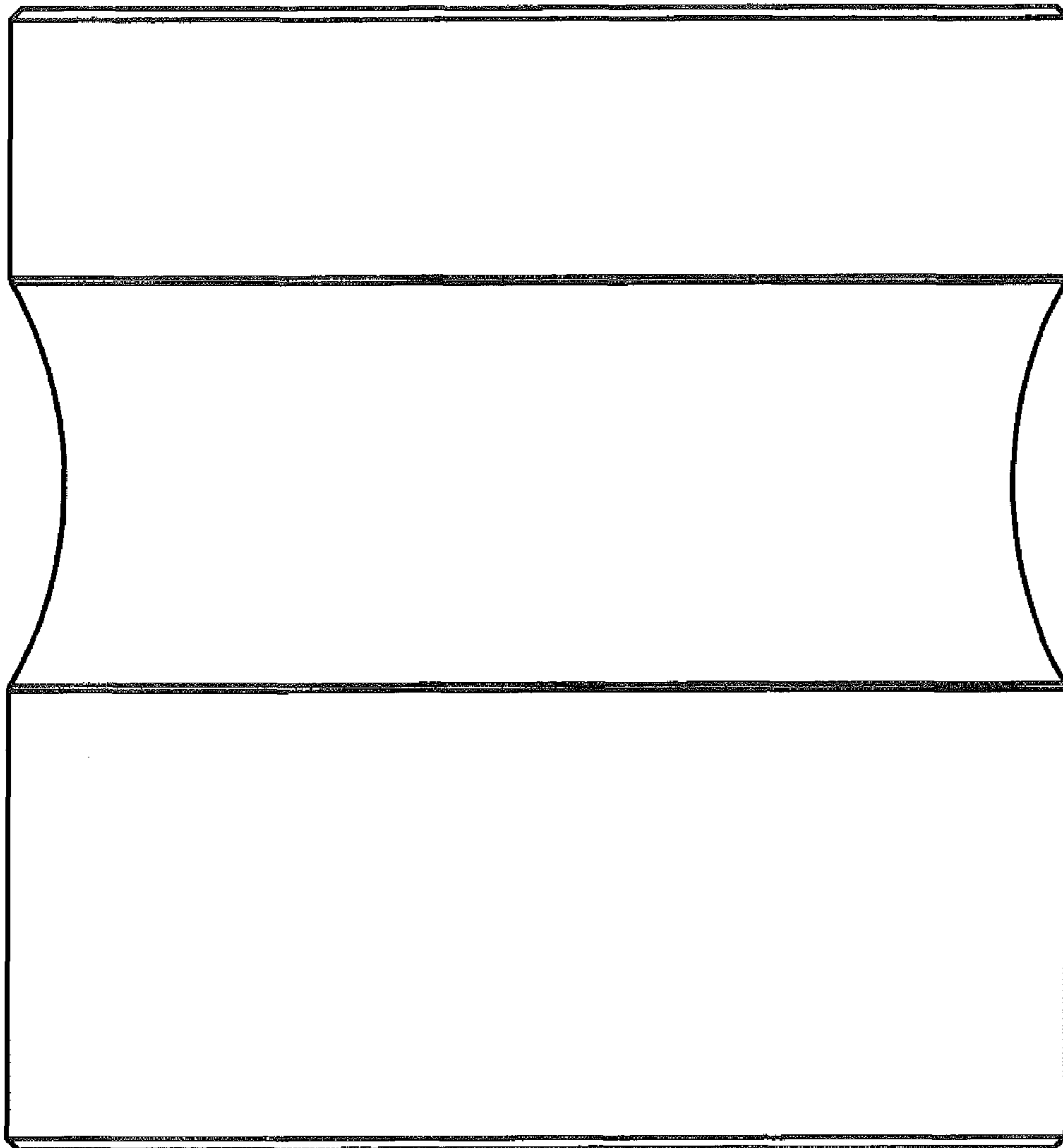


Figure 3

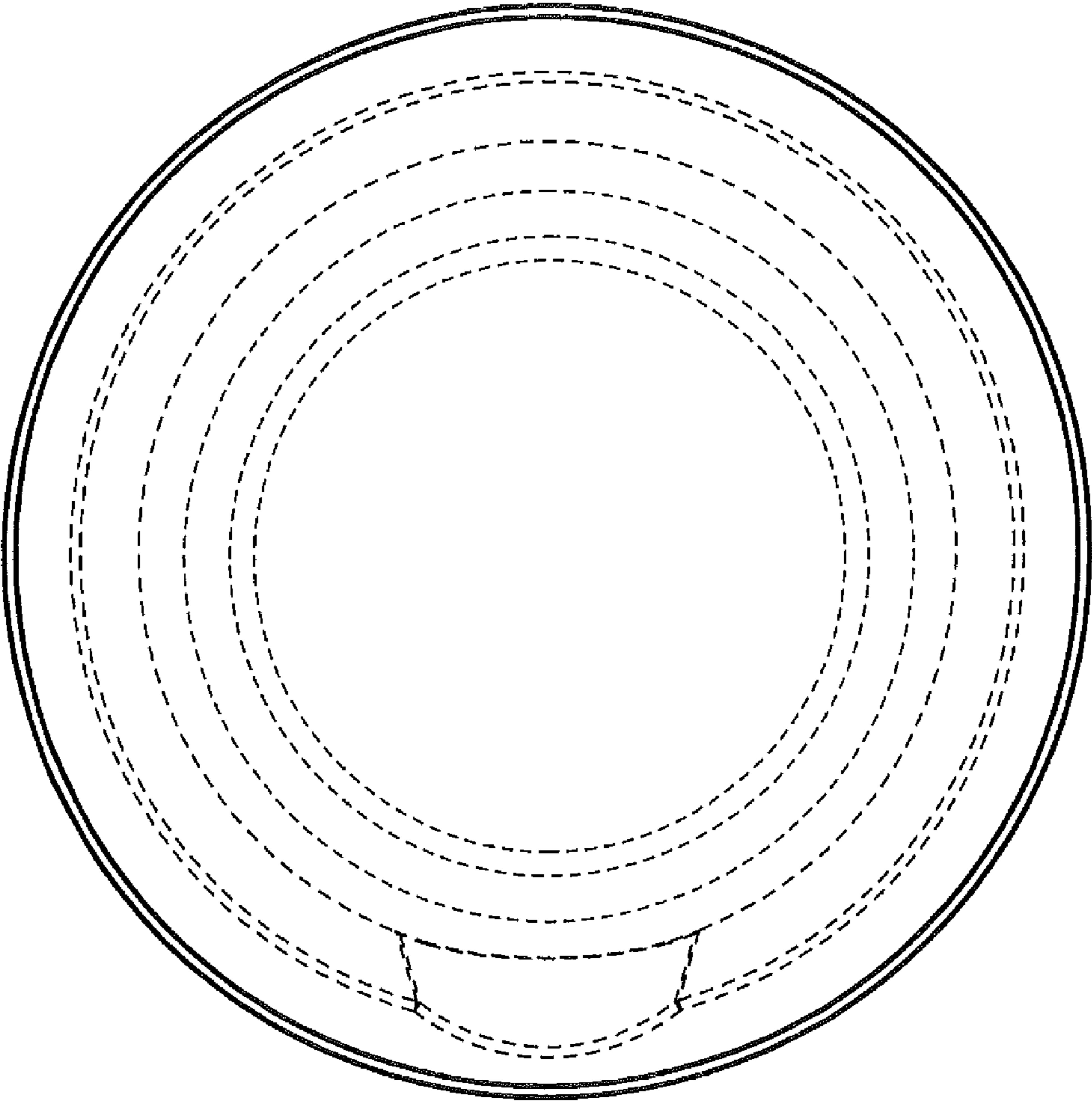


Figure 4

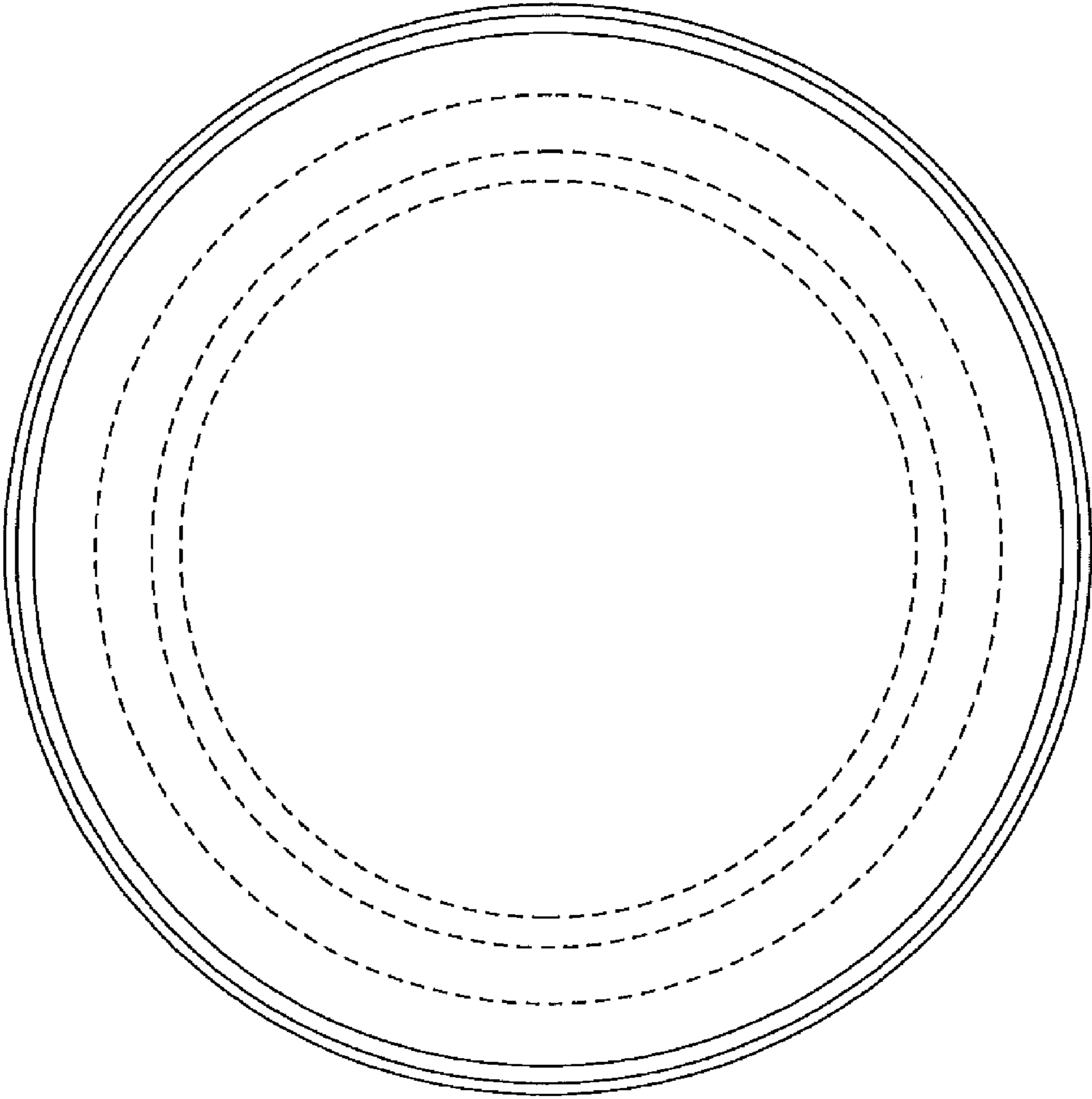


Figure 6

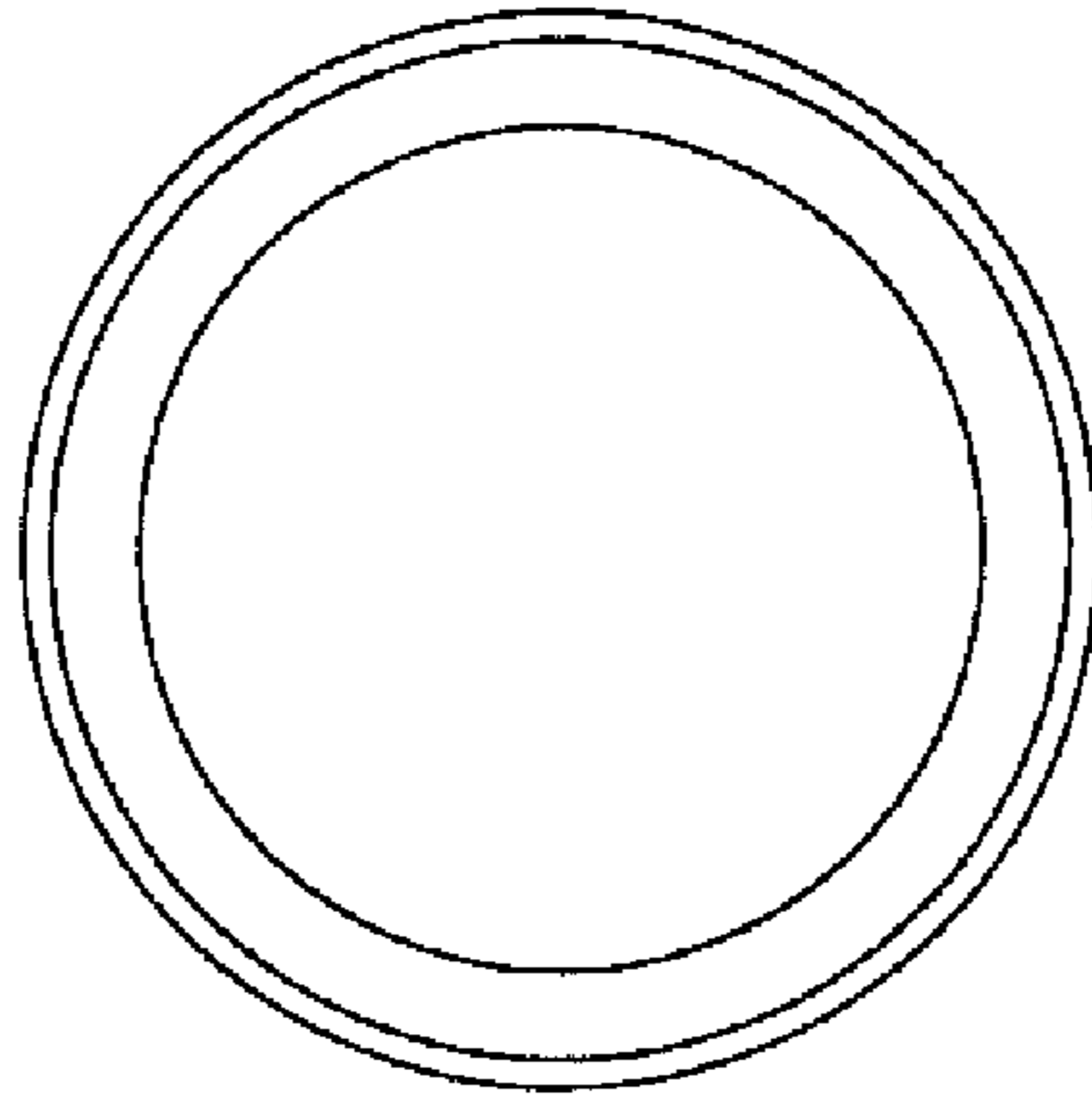


Figure 5

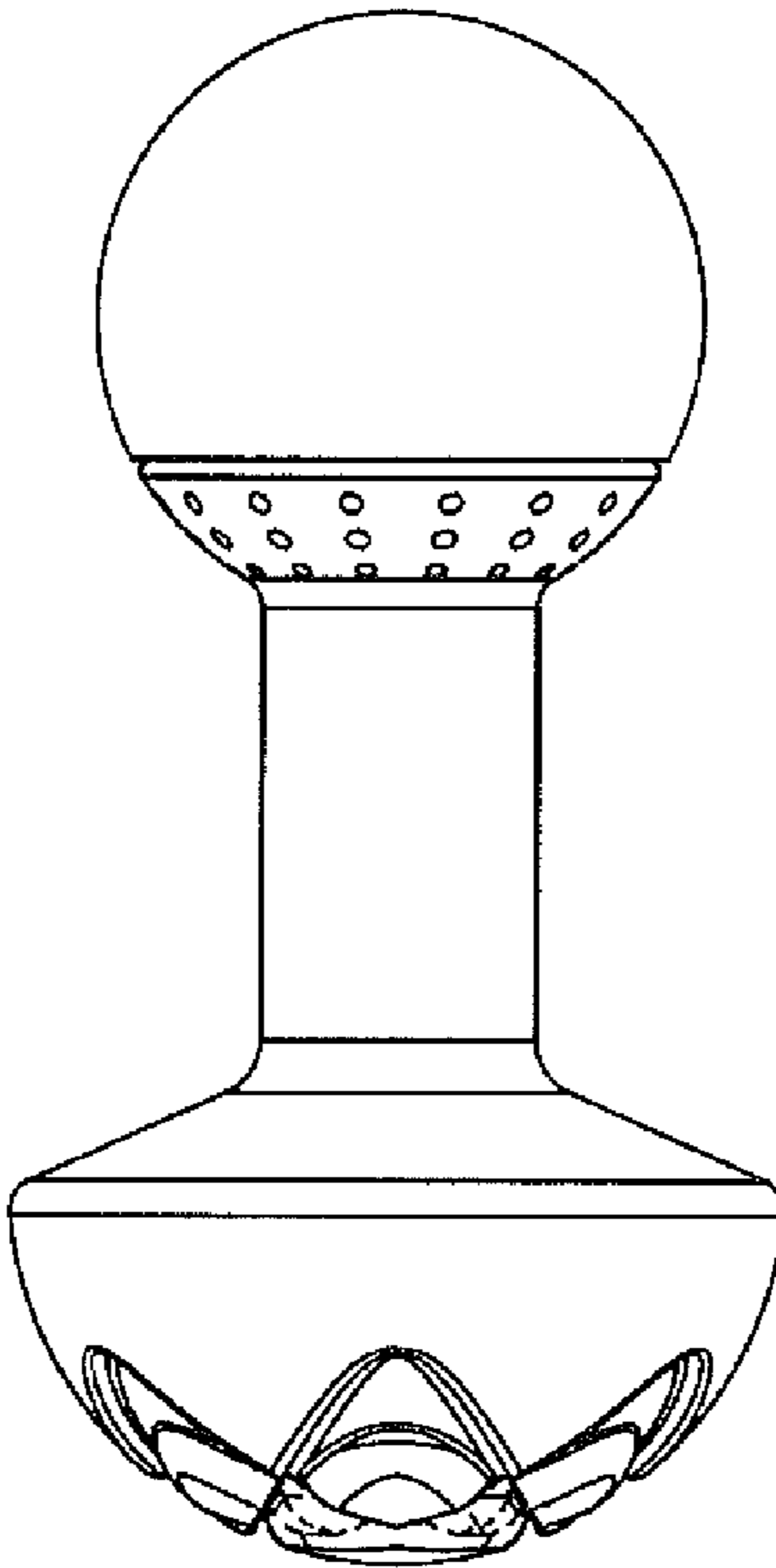


Figure 7

