



US00D642022S

(12) **United States Design Patent**
Zorovich et al.

(10) **Patent No.:** **US D642,022 S**

(45) **Date of Patent:** **** Jul. 26, 2011**

(54) **INSERT FOR A COMESTIBLE MAKER**

(56)

References Cited

(75) Inventors: **Kenneth D. Zorovich**, Hoboken, NJ
(US); **Yos Kumthampinij**, Edgewater,
NJ (US); **John C. Earle**, Annapolis, MD
(US)

(73) Assignee: **Propeller, Inc.**, Hoboken, NJ (US)

(**) Term: **14 Years**

(21) Appl. No.: **29/385,402**

(22) Filed: **Feb. 14, 2011**

U.S. PATENT DOCUMENTS

1,505,592	A	8/1924	Epperson	
1,987,945	A *	1/1935	Schnaler	249/92
2,317,067	A *	4/1943	Knaust	229/117.12
2,541,814	A	2/1951	Gaddini	
2,591,261	A *	4/1952	Holahan	249/92
2,946,207	A *	7/1960	Hulterstrum	249/92
3,780,536	A	12/1973	Fishman et al.	
4,239,175	A *	12/1980	Straubinger	249/92
4,352,830	A	10/1982	Billett et al.	
4,688,398	A	8/1987	Baek	
4,696,166	A	9/1987	Bukoschek et al.	
5,354,191	A *	10/1994	Bobis	425/118
D634,988	S	3/2011	Zorovich et al.	
2010/0183789	A1	7/2010	Zorovich	

* cited by examiner

Related U.S. Application Data

(60) Division of application No. 29/361,072, filed on May 5, 2010, now Pat. No. Des. 634,988, which is a continuation-in-part of application No. 12/321,237, filed on Jan. 16, 2009.

(51) **LOC (9) Cl.** **07-04**

(52) **U.S. Cl.** **D7/672**

(58) **Field of Classification Search** D7/672-677,
D7/368, 669, 354; 249/91, 92, 93, 121, 119,
249/133, 140; D1/101, 102, 105, 127; 425/118,
425/126.2, DIG. 249; 294/87.11

See application file for complete search history.

Primary Examiner — Terry Wallace

(74) *Attorney, Agent, or Firm* — Greenberg Traurig, LLP

(57)

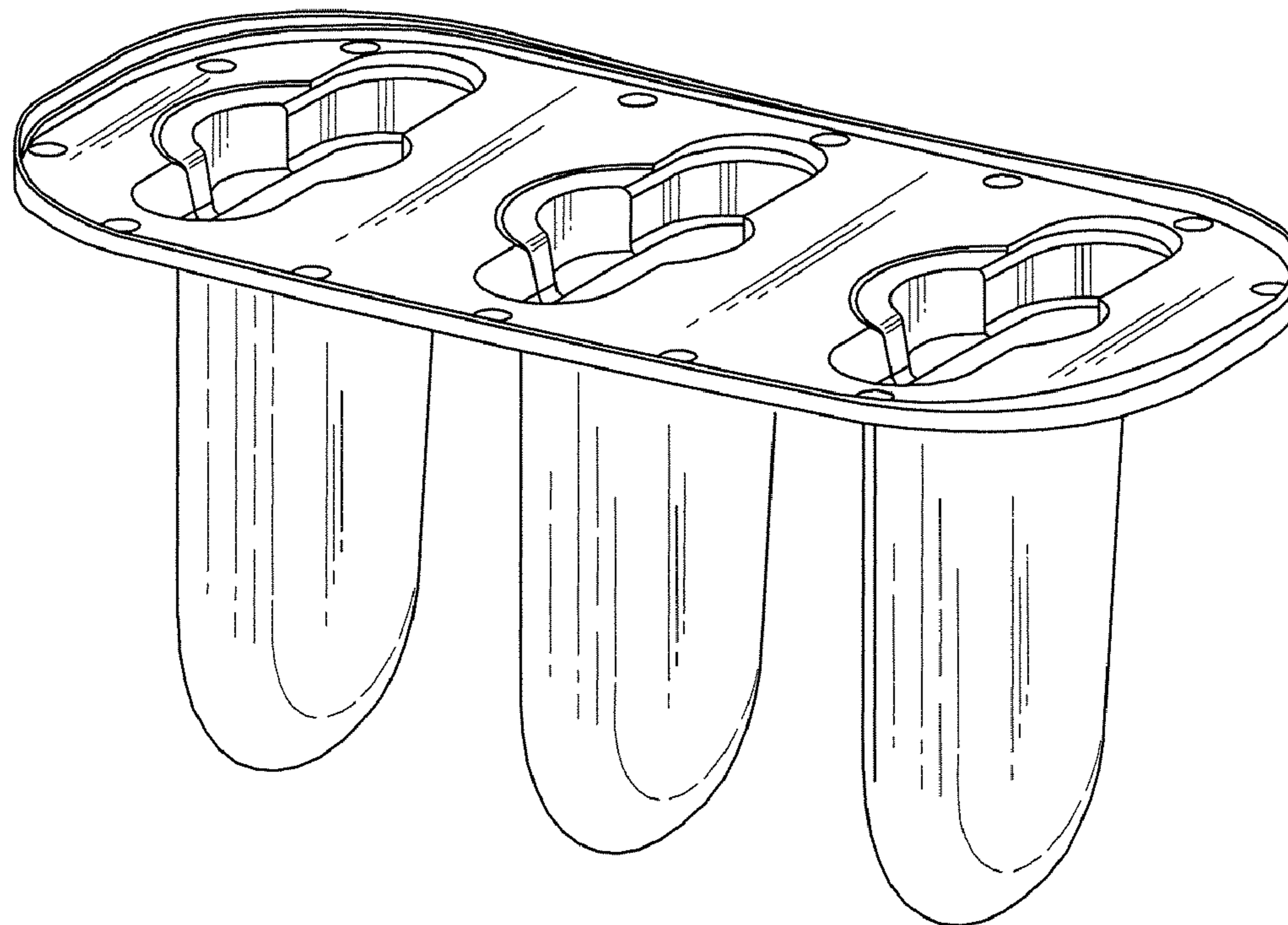
CLAIM

The ornamental design for an insert for a comestible maker, as shown and described.

DESCRIPTION

FIG. 1 is a perspective view of an insert for a comestible maker showing our new design;
FIG. 2 is a top plan view thereof;
FIG. 3 is a left side elevational view thereof, the right side elevational view being identical to FIG. 3;
FIG. 4 is a front elevational view thereof, the rear elevational view being identical to FIG. 4; and,
FIG. 5 is a bottom plan view thereof.

1 Claim, 3 Drawing Sheets



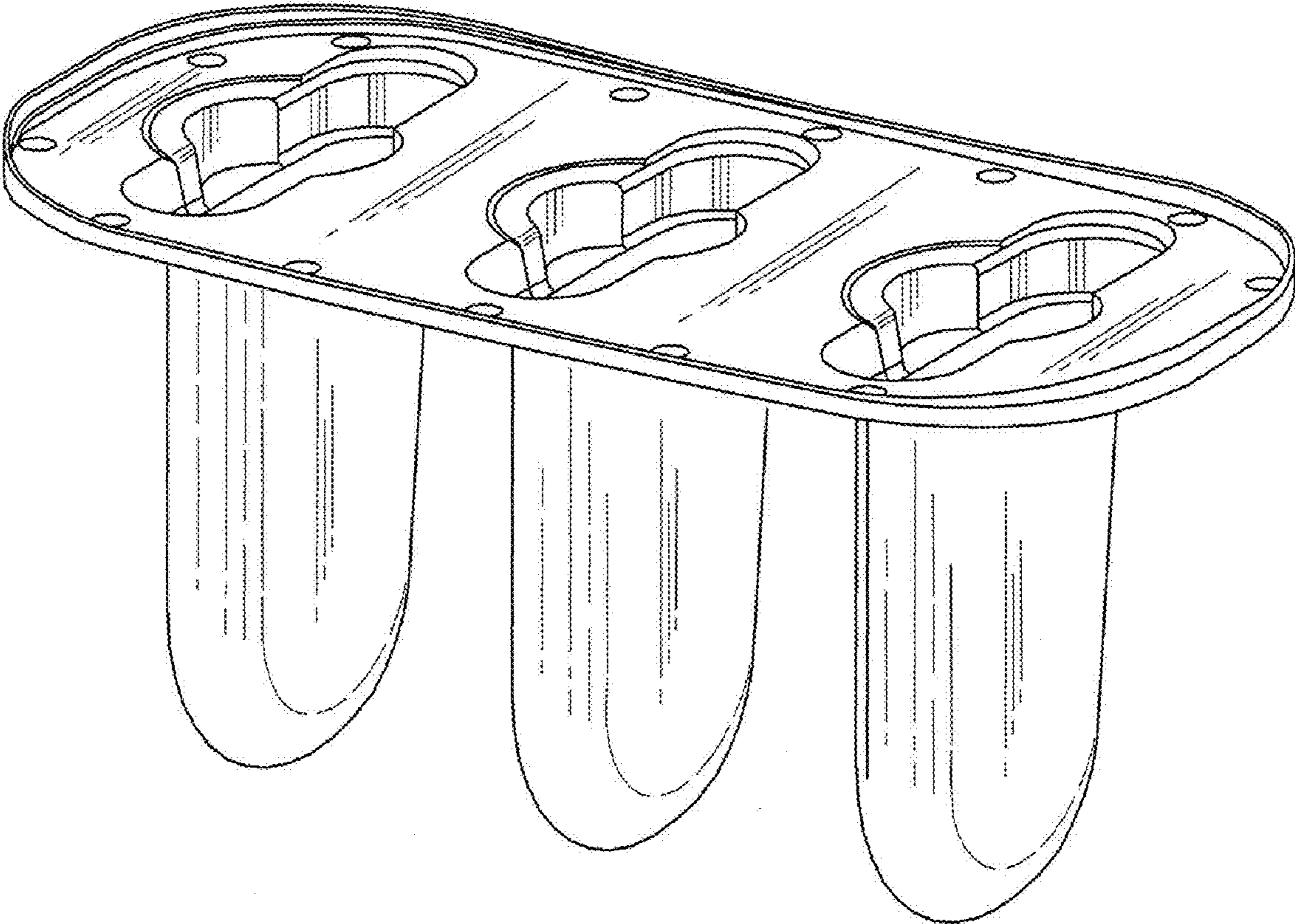


FIG. 1

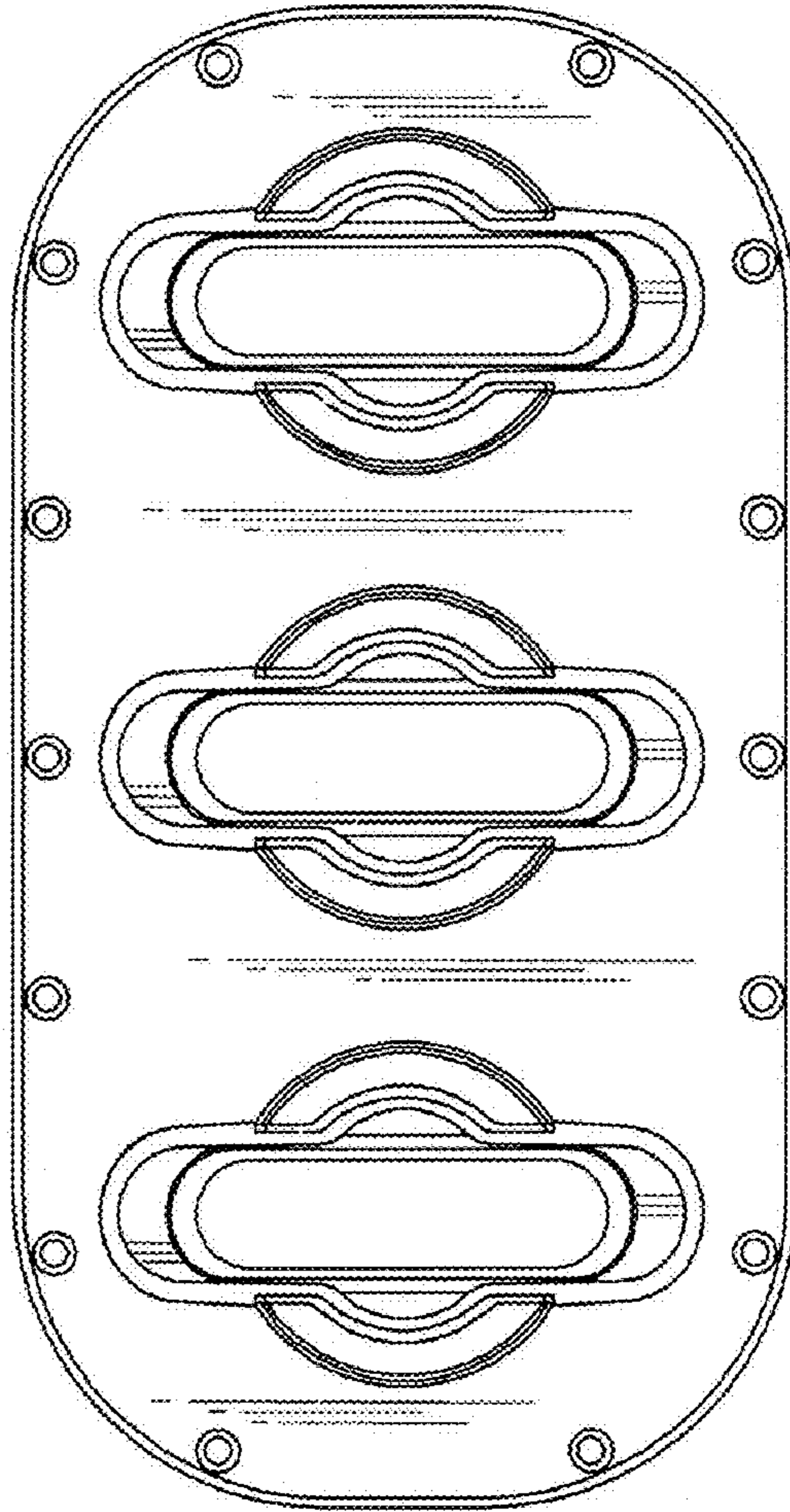


FIG. 2

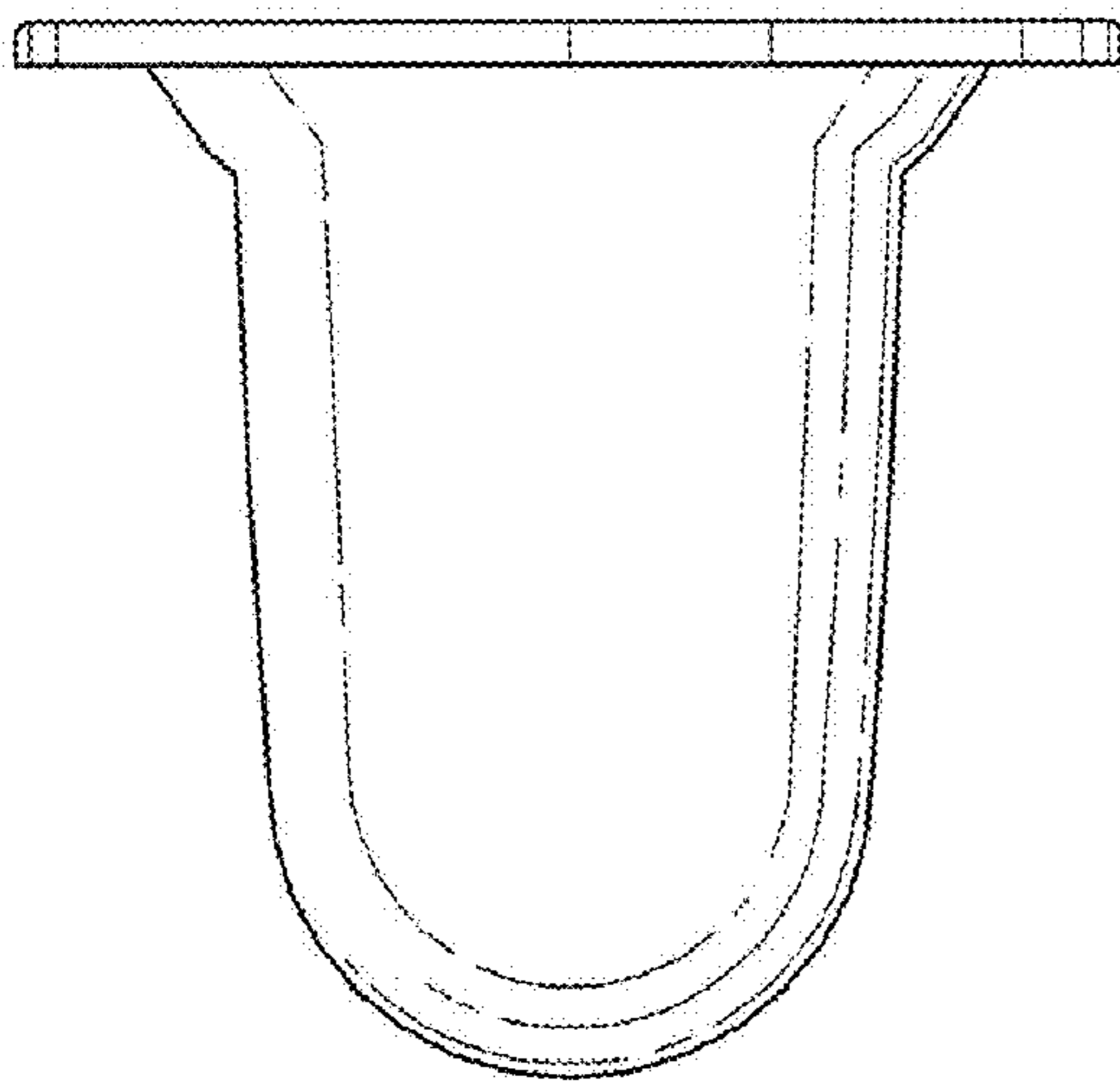


FIG. 3

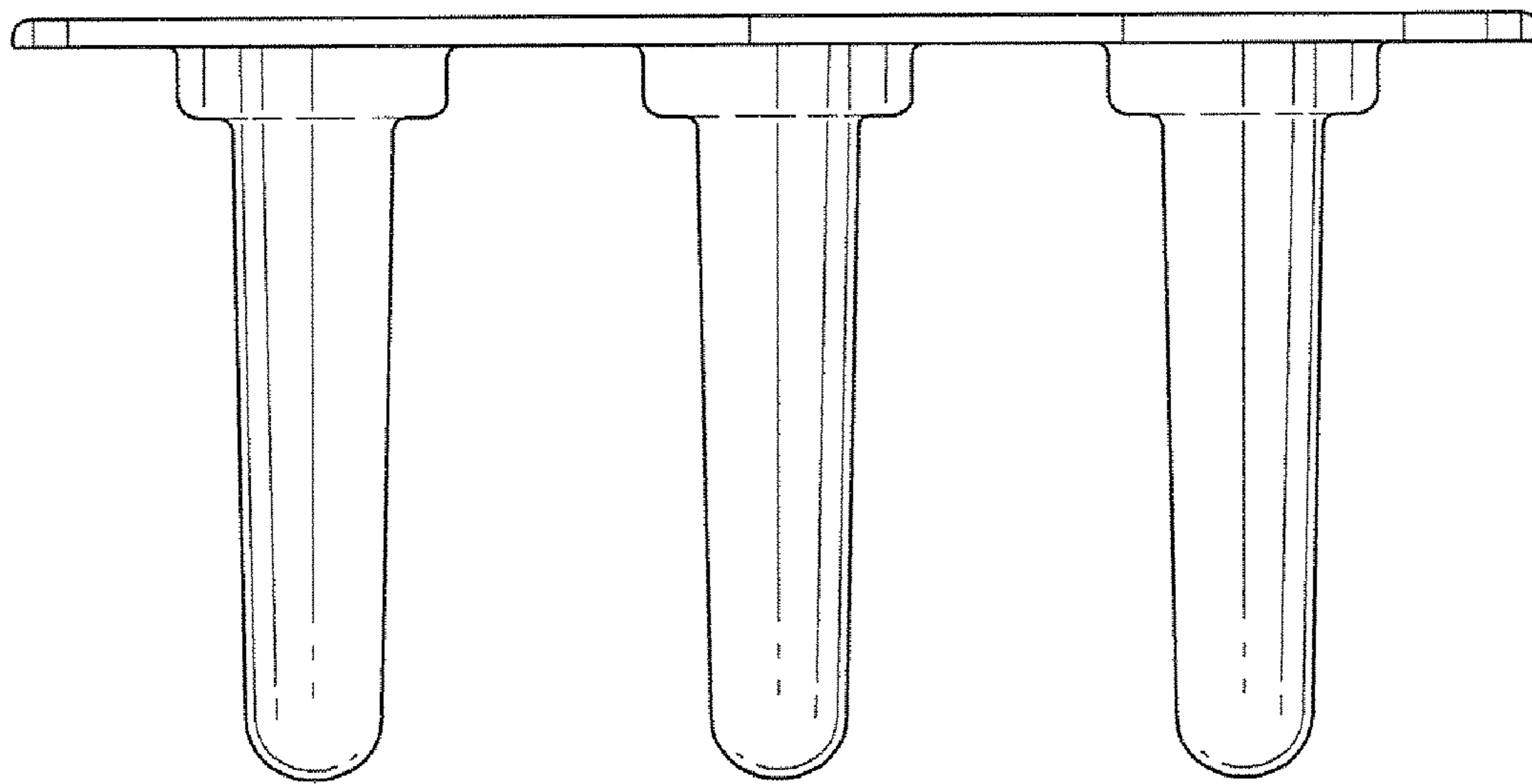


FIG. 4

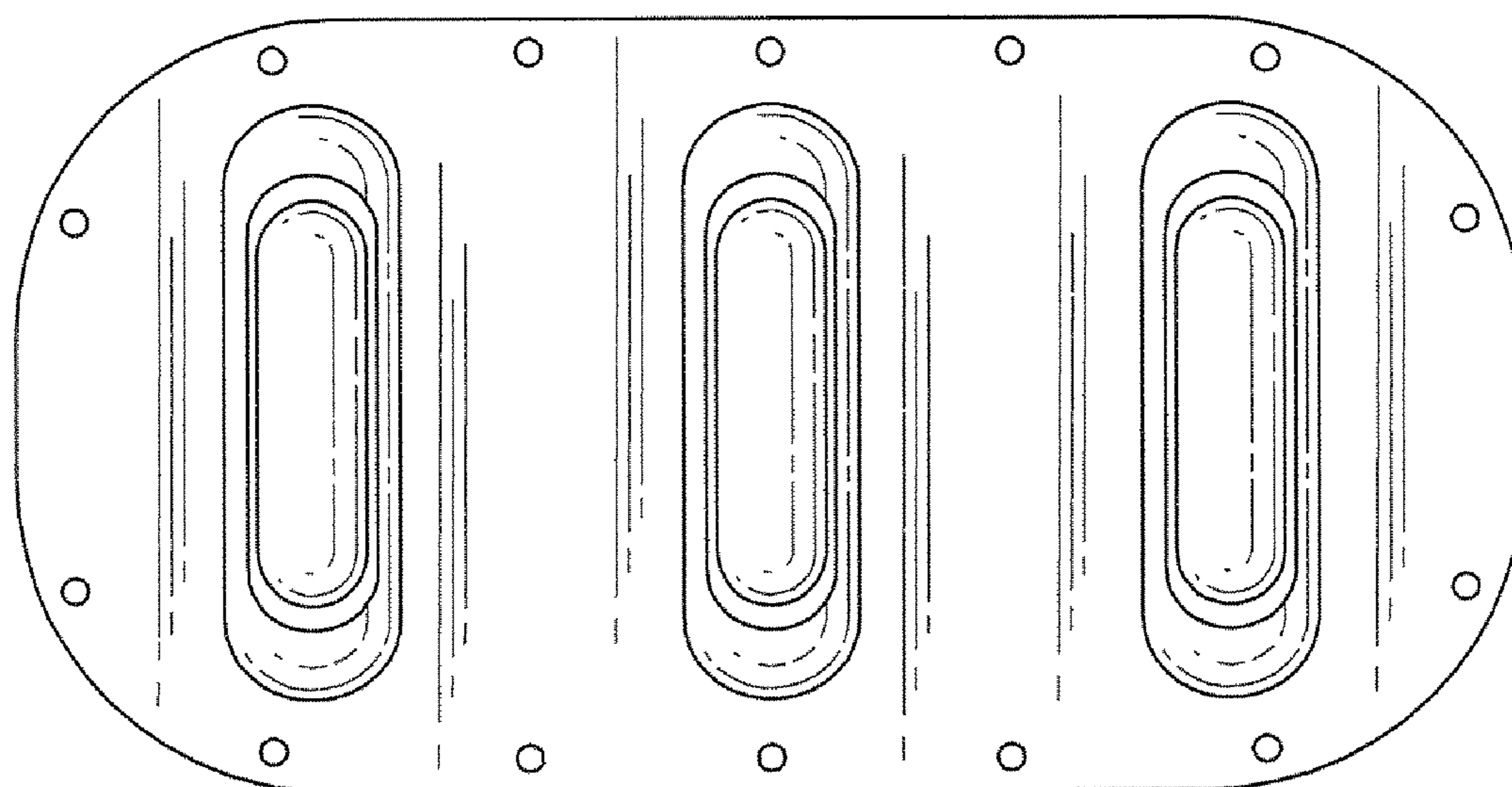


FIG. 5