



US00D642021S

(12) **United States Design Patent**
Zorovich et al.

(10) **Patent No.:** **US D642,021 S**

(45) **Date of Patent:** **** Jul. 26, 2011**

(54) **FOOD APPLICATOR TOOL**

(75) Inventors: **Kenneth D. Zorovich**, Hoboken, NJ (US); **Yos Kumthampinij**, Edgewater, NJ (US); **John C. Earle**, Annapolis, MD (US)

(73) Assignee: **Propeller, Inc.**, Hoboken, NJ (US)

(**) Term: **14 Years**

(21) Appl. No.: **29/361,881**

(22) Filed: **May 17, 2010**

(51) **LOC (9) Cl.** **07-04**

(52) **U.S. Cl.** **D7/669; D7/693**

(58) **Field of Classification Search** D7/368, D7/669, 682-696; 30/169, 280, 314, 315, 30/121.5, 123, 115; 7/110, 113, 158; 294/1.1
See application file for complete search history.

(56) **References Cited**

U.S. PATENT DOCUMENTS

D252,006 S * 6/1979 Noda et al. D7/693
D296,178 S * 6/1988 Smith D7/693

D421,698 S * 3/2000 Wang D7/693
D422,854 S * 4/2000 Wallays D7/696
D507,157 S * 7/2005 Youngblood D7/642
D548,024 S * 8/2007 Trinque D7/693

* cited by examiner

Primary Examiner — Terry Wallace

(74) *Attorney, Agent, or Firm* — Greenberg Traurig, LLP

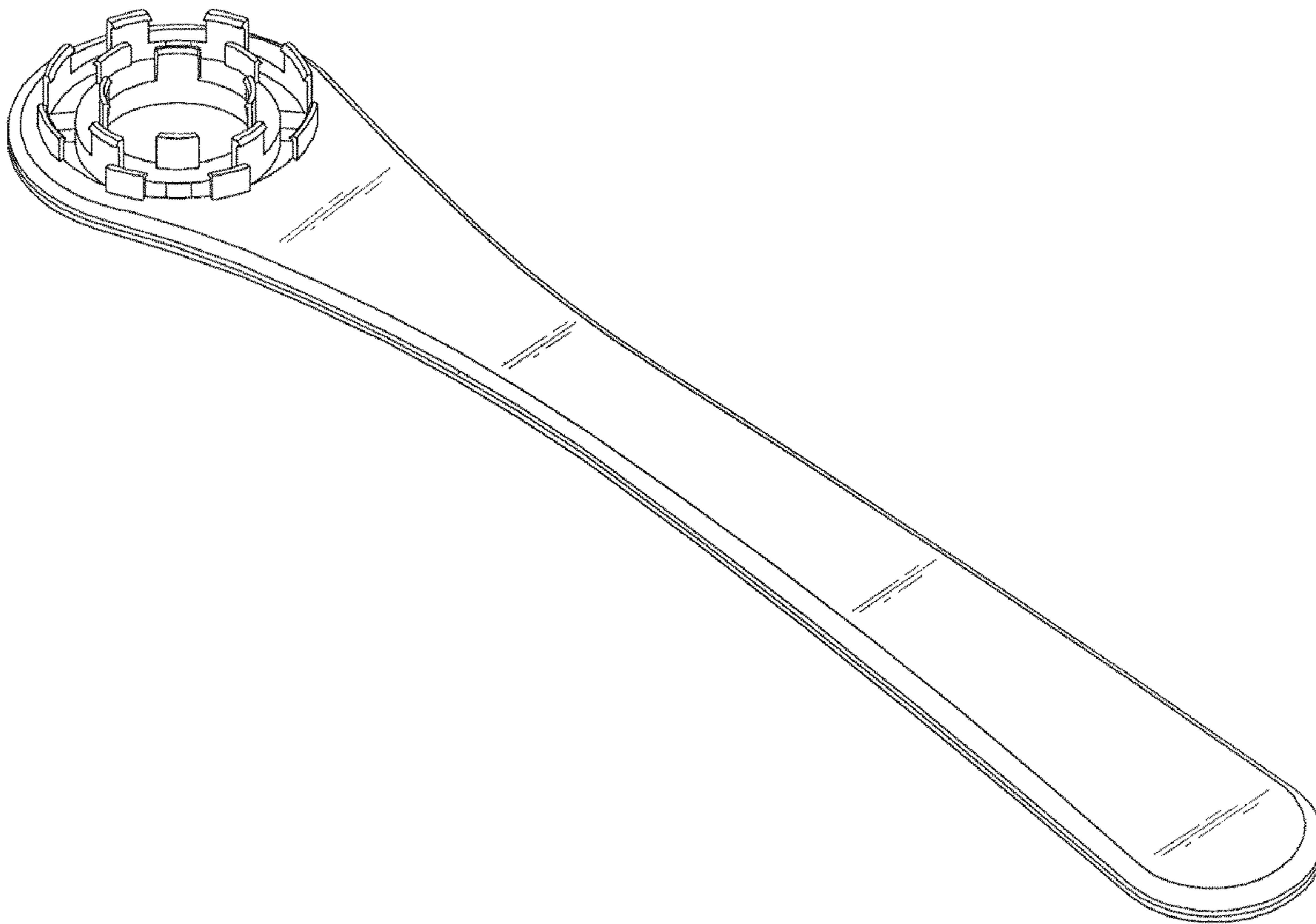
(57) **CLAIM**

The ornamental design for a food applicator tool, as shown and described.

DESCRIPTION

FIG. 1 is a perspective view of a food applicator tool showing our new design;
FIG. 2 is a top plan view thereof;
FIG. 3 is a front elevational view thereof,
FIG. 4 is a rear elevational view thereof; and
FIG. 5 is a left side elevational view thereof, the right side elevational view being a mirror image of FIG. 5; and,
FIG. 6 is a bottom plan view thereof.

1 Claim, 3 Drawing Sheets



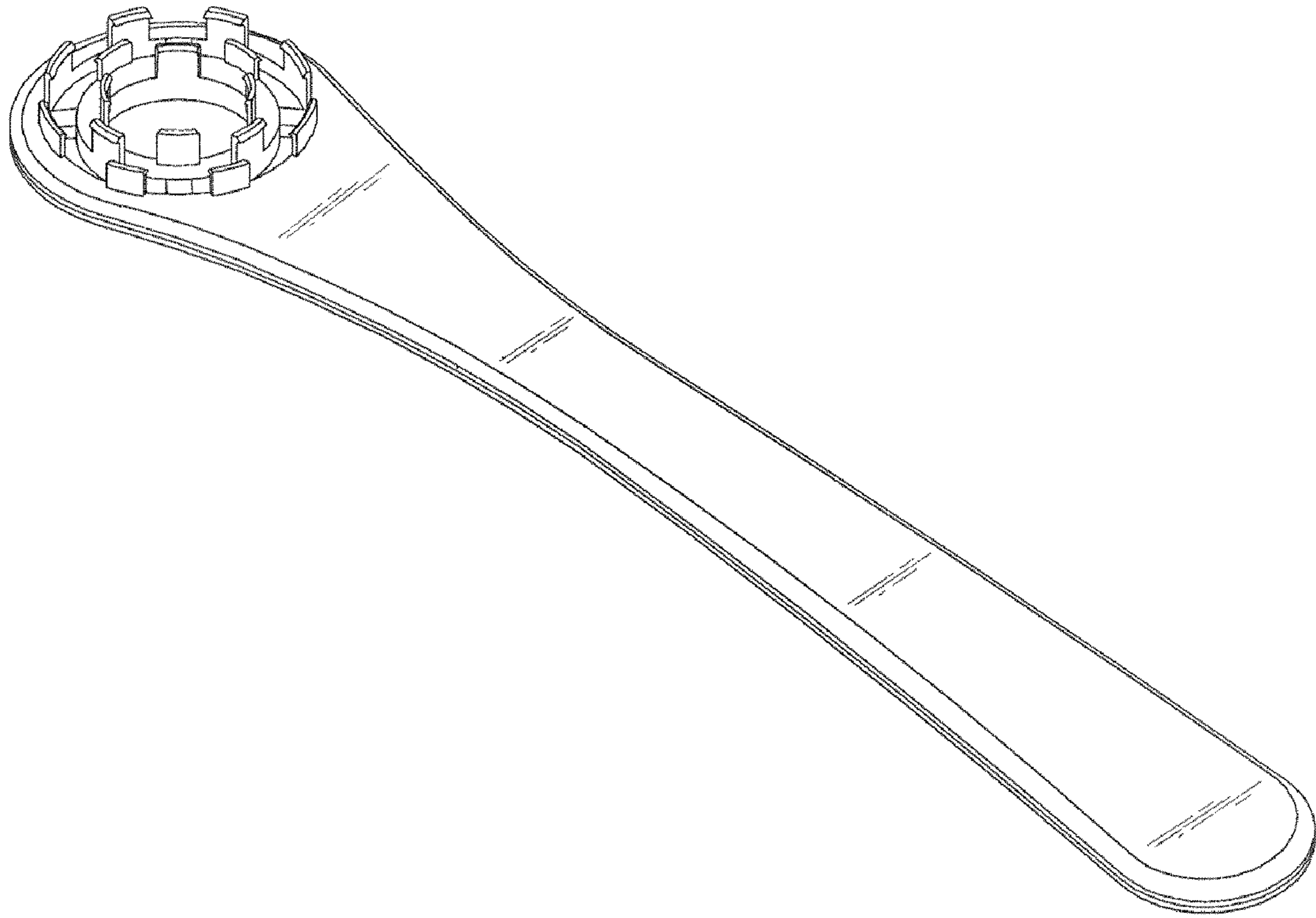


FIG. 1

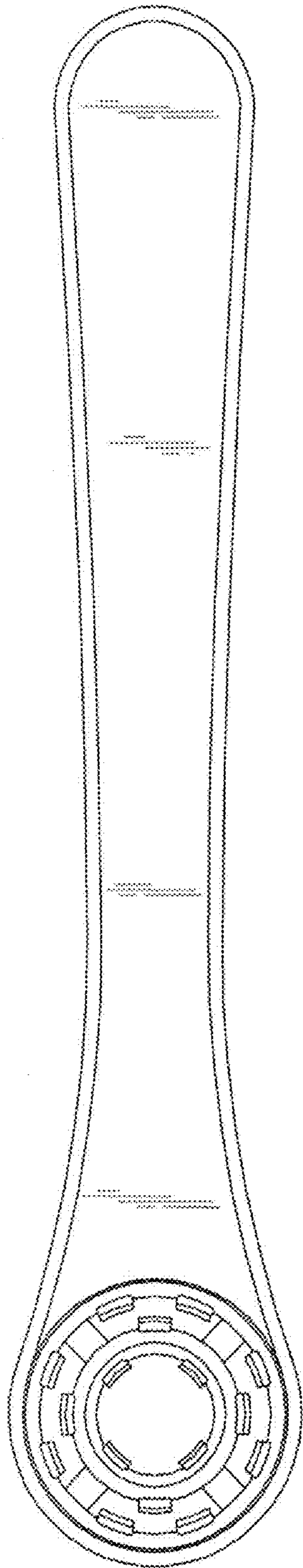


FIG. 2

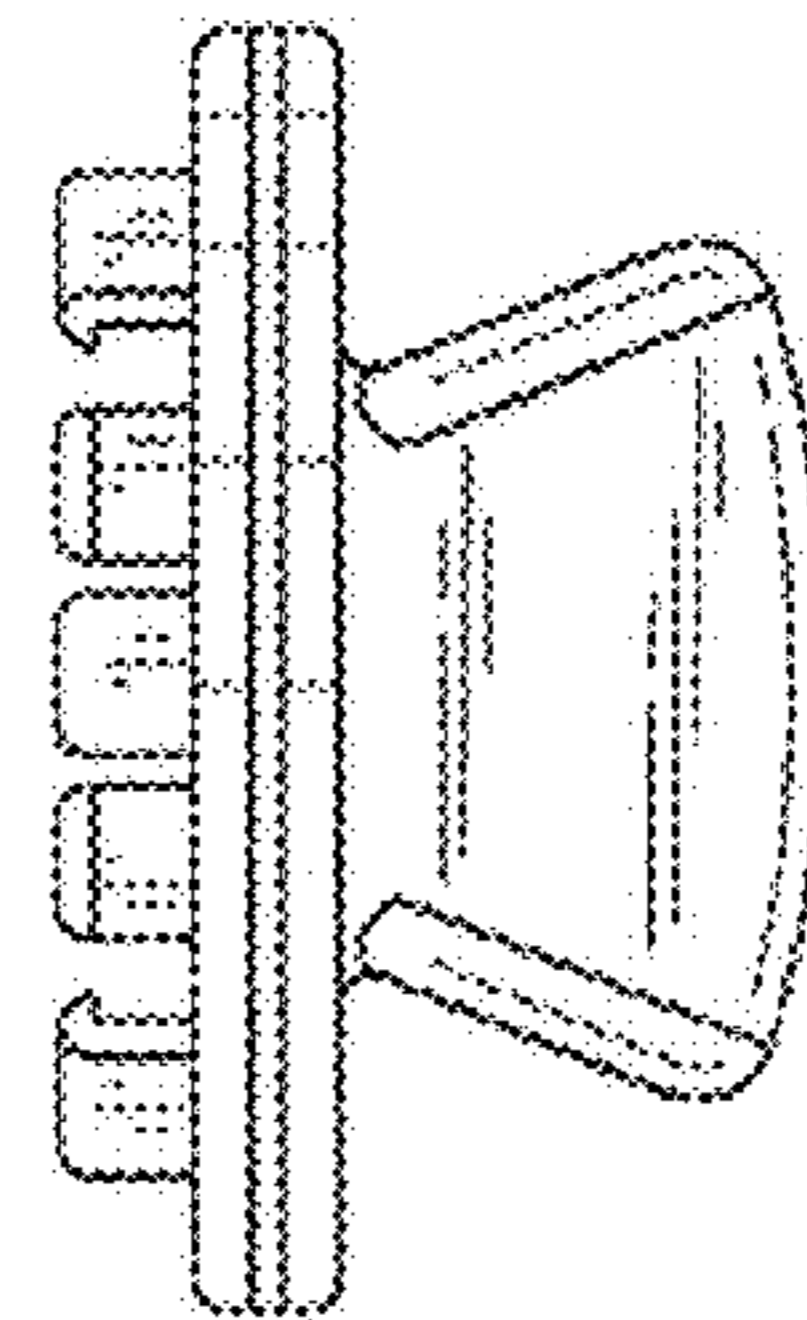


FIG. 3

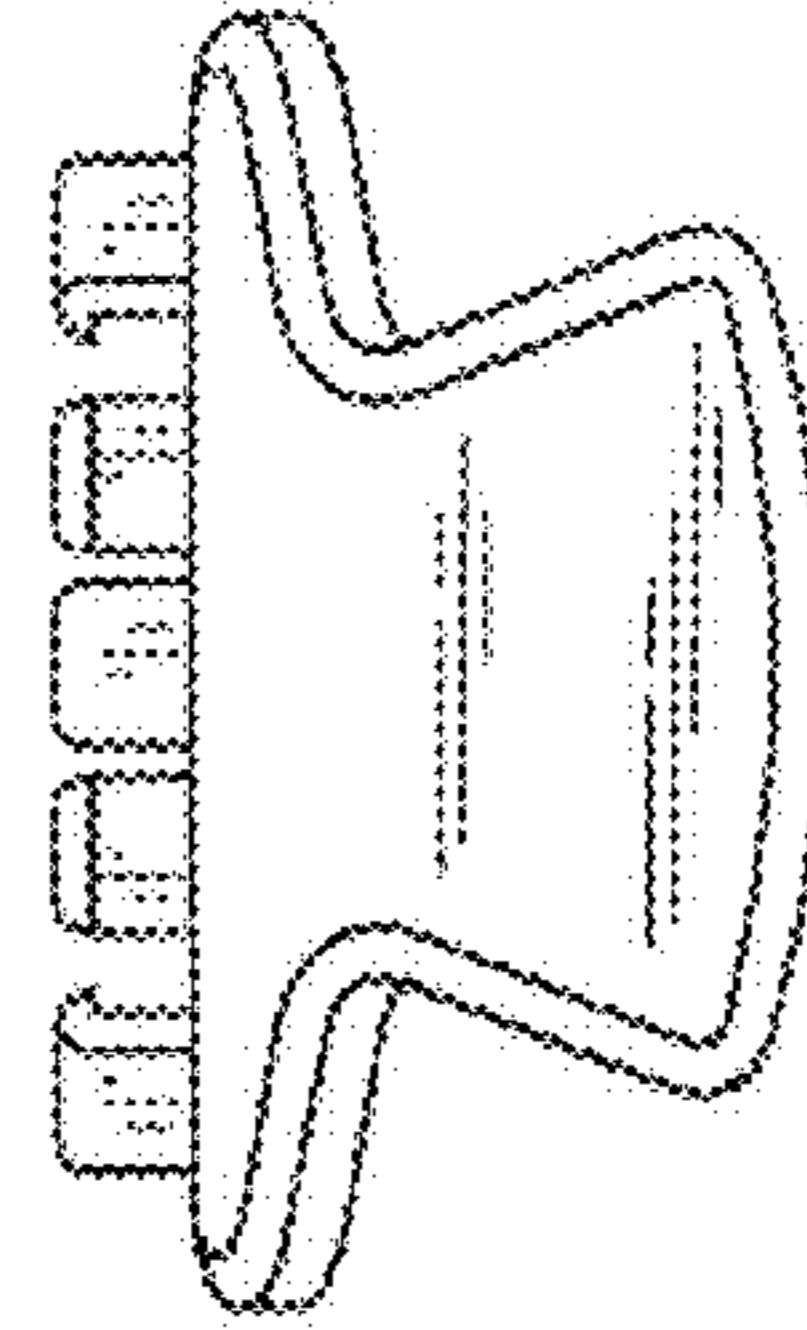


FIG. 4

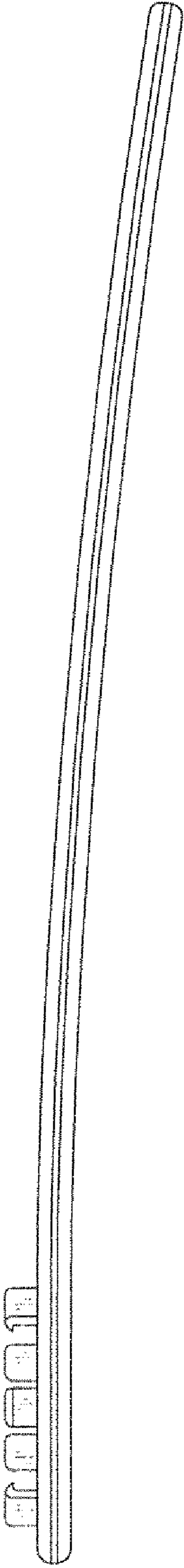


FIG. 5

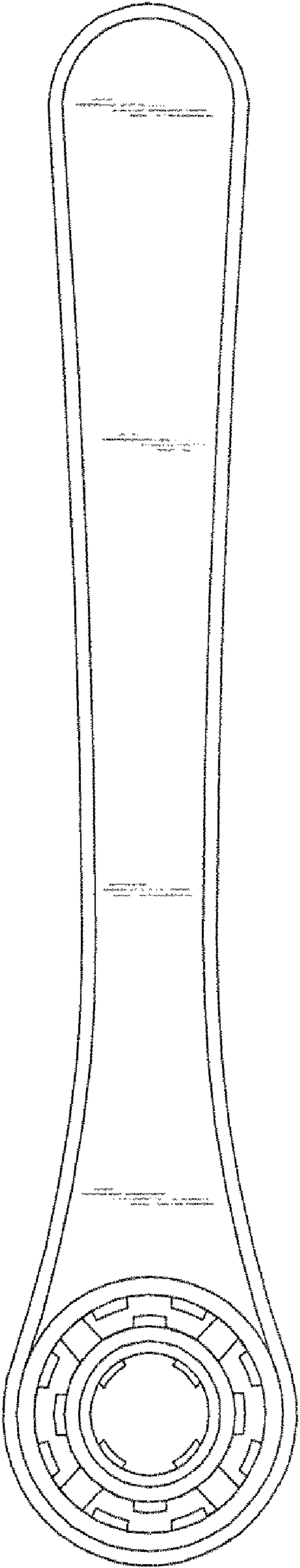


FIG. 6