



US00D642020S

(12) **United States Design Patent**
Fu

(10) **Patent No.:** **US D642,020 S**

(45) **Date of Patent:** **** Jul. 26, 2011**

(54) **MUG**

(76) **Inventor:** **Jenny Fang Fu**, Kinnelon, NJ (US)

(**) **Term:** **14 Years**

(21) **Appl. No.:** **29/364,750**

(22) **Filed:** **Jun. 28, 2010**

(51) **LOC (9) Cl.** **07-01**

(52) **U.S. Cl.** **D7/536; D7/533**

(58) **Field of Classification Search** D7/536,
D7/533, 509, 394, 319; 229/403, 402, 400;
220/710.5, 592.17, 718, 719

See application file for complete search history.

(56) **References Cited**

U.S. PATENT DOCUMENTS

2,834,533	A *	5/1958	Carew	229/402
2,988,967	A *	6/1961	Dudnick et al.	493/88
D198,201	S *	5/1964	Clayton	D8/317
3,471,055	A *	10/1969	Edwards	206/520
D216,731	S *	3/1970	Hing	D7/536
D225,885	S *	1/1973	Doman	D7/536
D379,739	S *	6/1997	Song	D7/536
D388,281	S *	12/1997	Trombley	D7/515
6,000,224	A *	12/1999	Foye	62/3.2

6,010,062	A *	1/2000	Shimono	229/400
6,116,503	A *	9/2000	Varano	229/403
D457,032	S *	5/2002	Copeland	D7/394
D517,370	S *	3/2006	Kingsley	D7/532
D535,146	S *	1/2007	Grundmann	D7/394
D560,971	S *	2/2008	Sung	D7/536
D567,590	S *	4/2008	Bodum	D7/536
D587,528	S *	3/2009	Trombly	D7/536
D617,139	S *	6/2010	Rae	D7/394
D635,401	S *	4/2011	DelVecchio	D7/536
2002/0170917	A1 *	11/2002	Gallo, Jr.	220/592.17

* cited by examiner

Primary Examiner — Marianne Pandozzi

(74) *Attorney, Agent, or Firm* — Thomas L. Adams

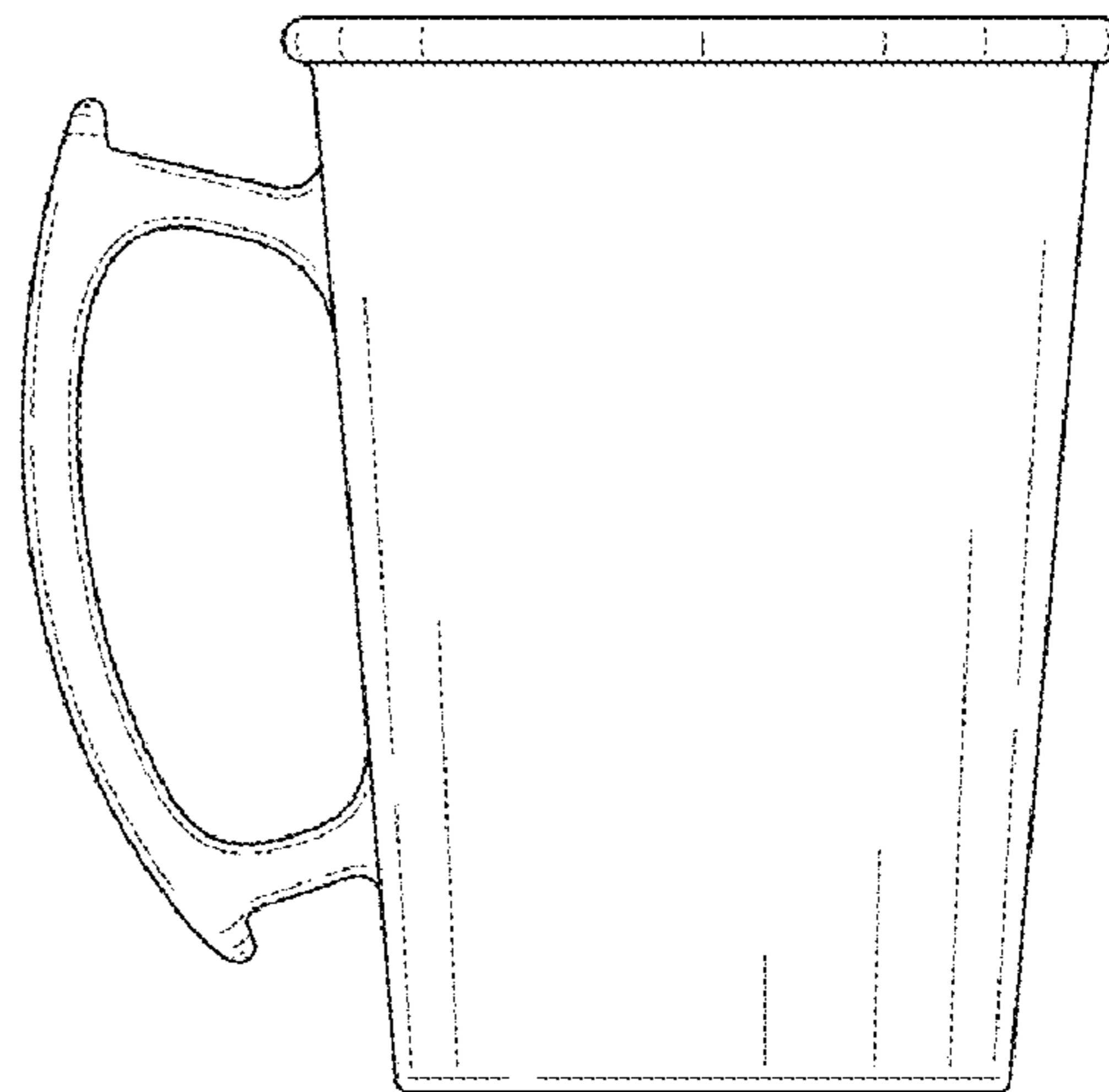
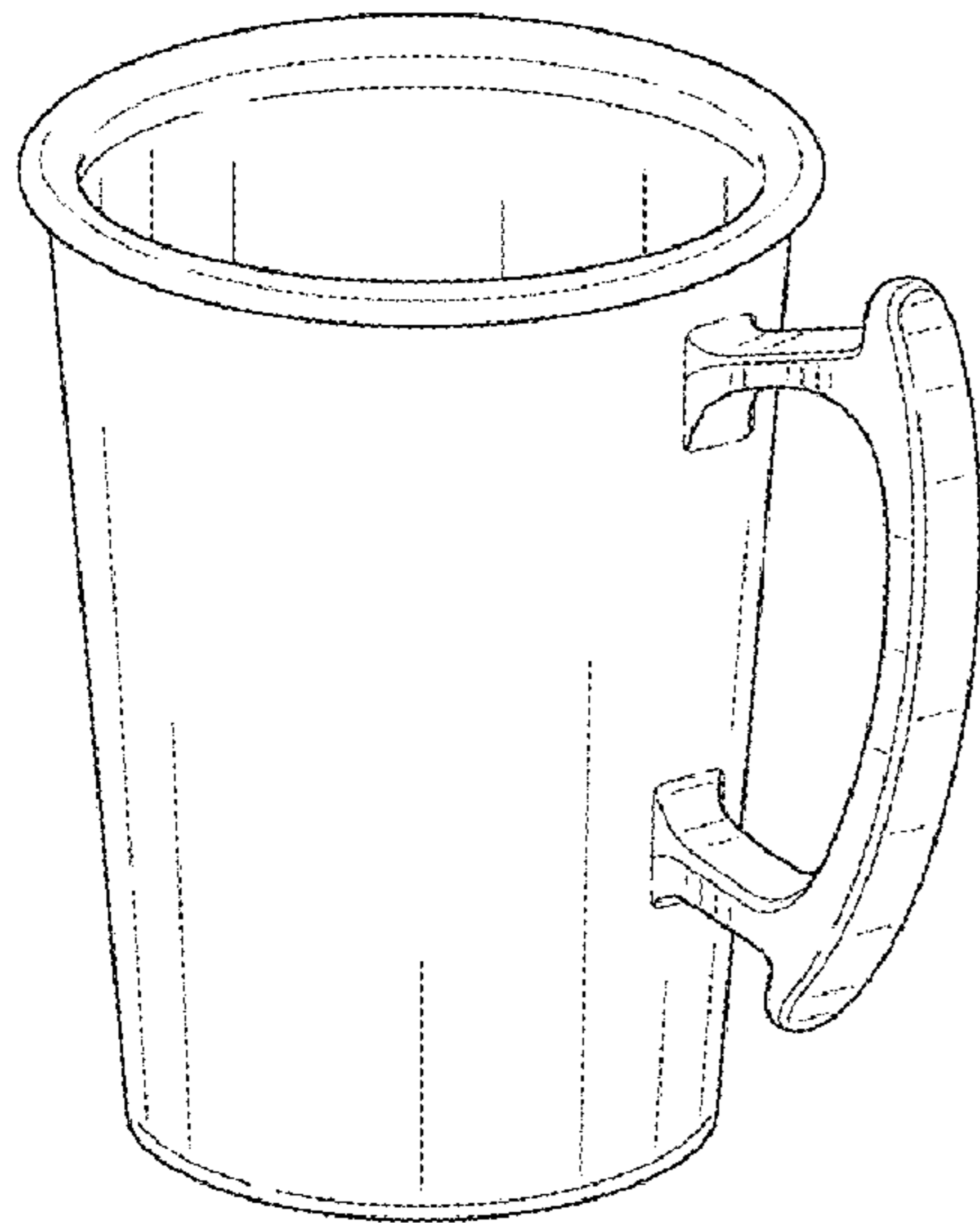
(57) **CLAIM**

The ornamental design for mug, as shown and described.

DESCRIPTION

FIG. 1 is a perspective view of a mug showing my new design; FIG. 2 is a front elevational view thereof; FIG. 3 is a rear elevational view thereof; FIG. 4 is a right side elevational view thereof, the left side elevational view being a mirror image thereof; FIG. 5 is a top plan view thereof; and, FIG. 6 is a bottom plan view thereof.

1 Claim, 3 Drawing Sheets



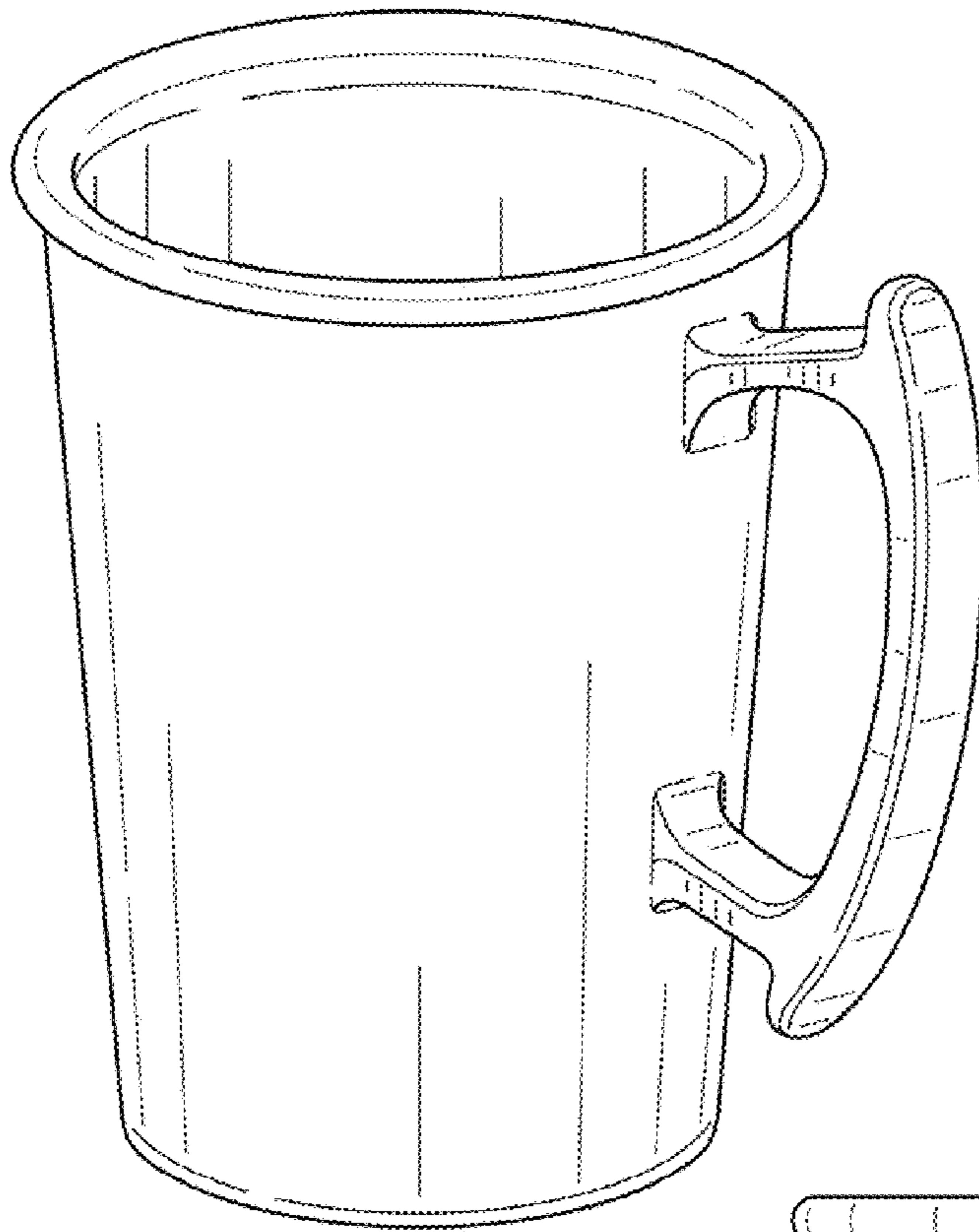


FIG. 1

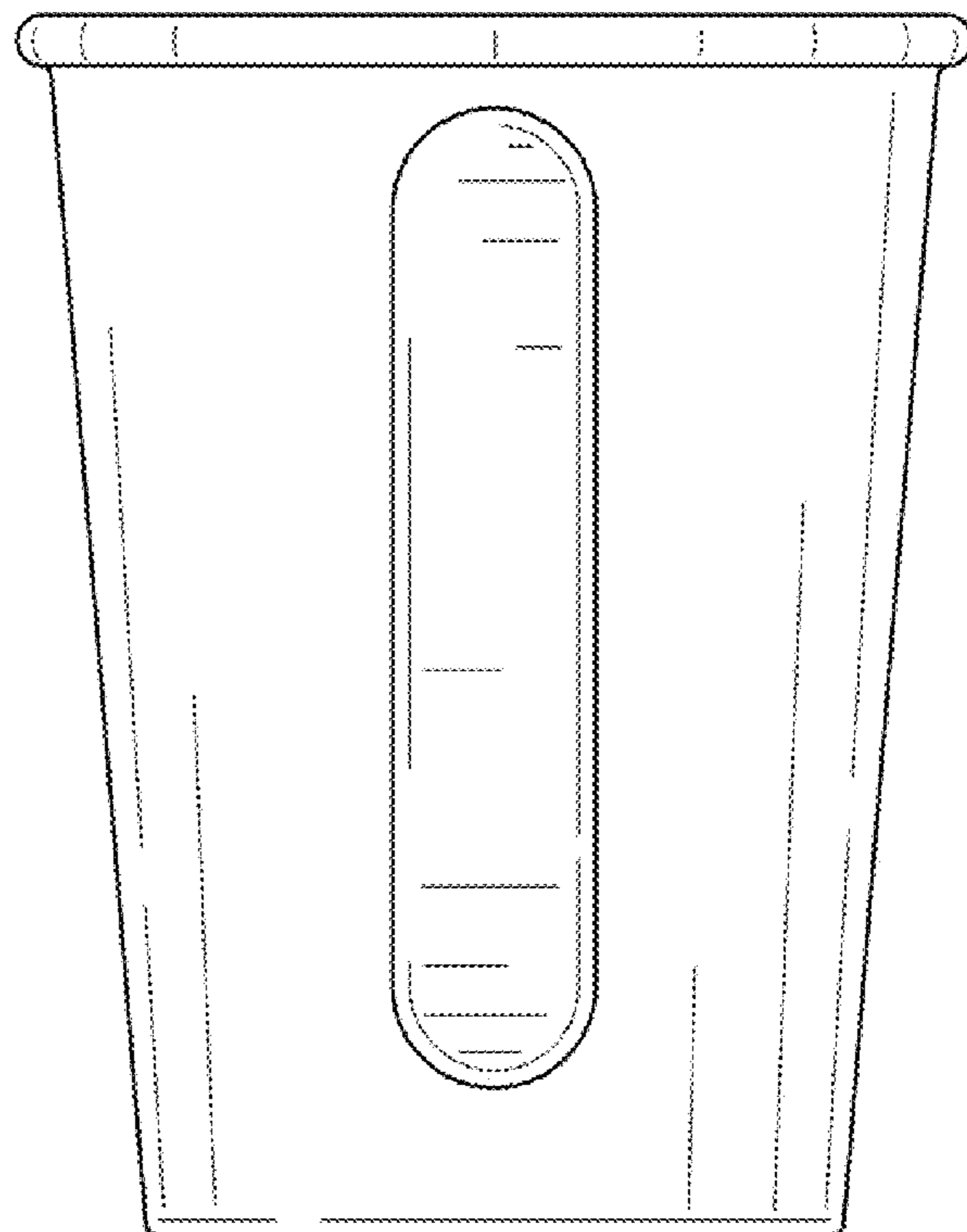


FIG. 2

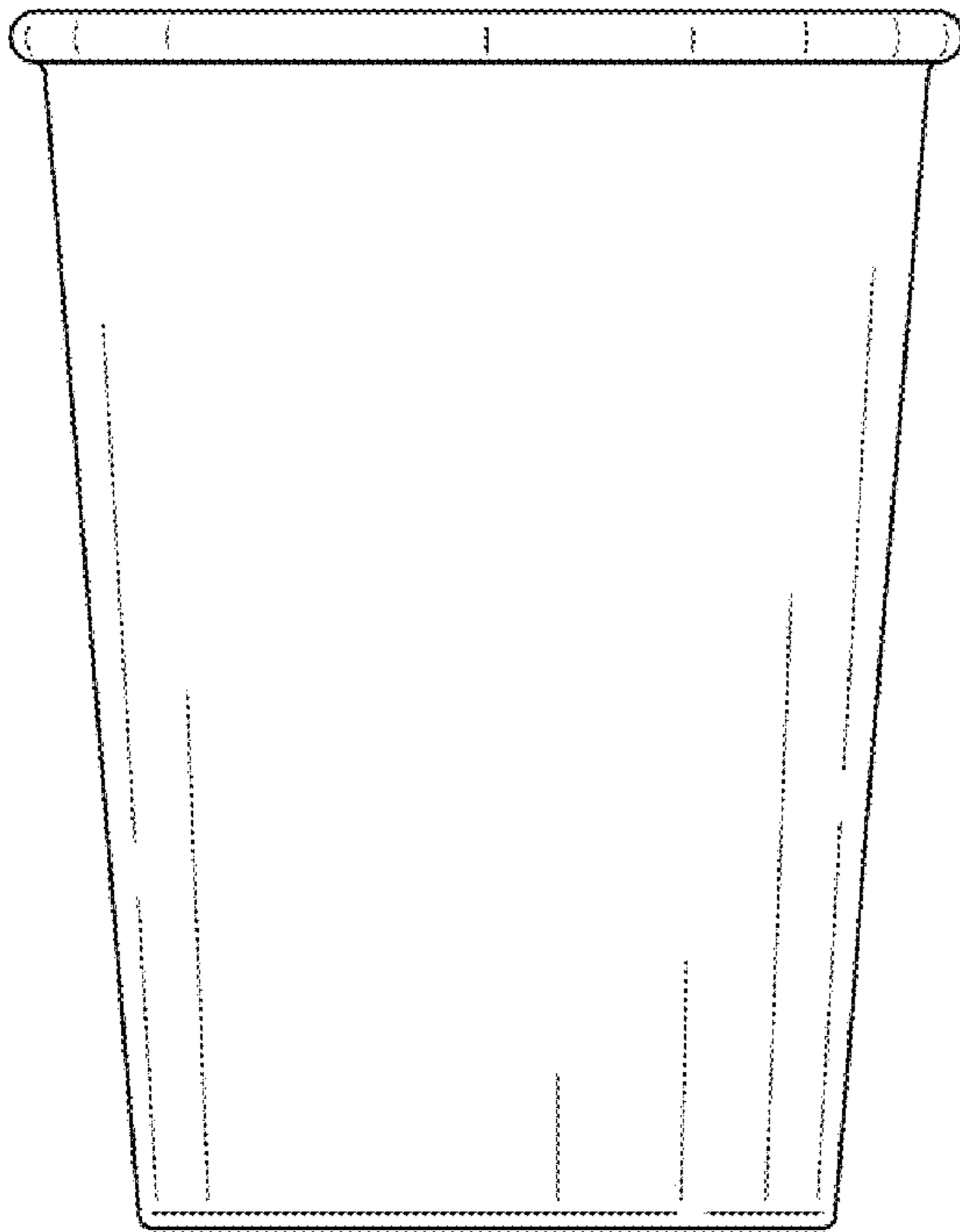


FIG. 3

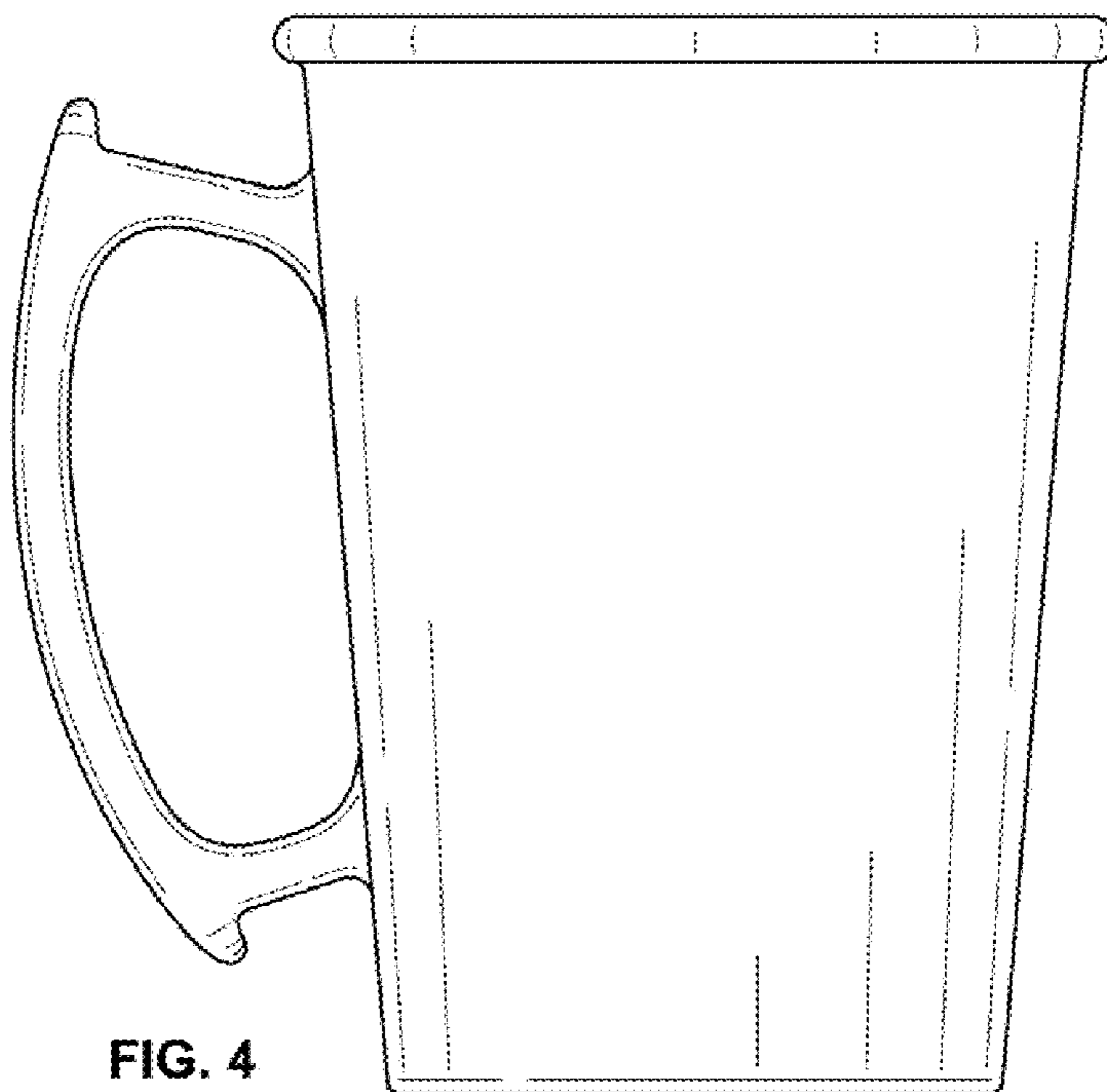


FIG. 4

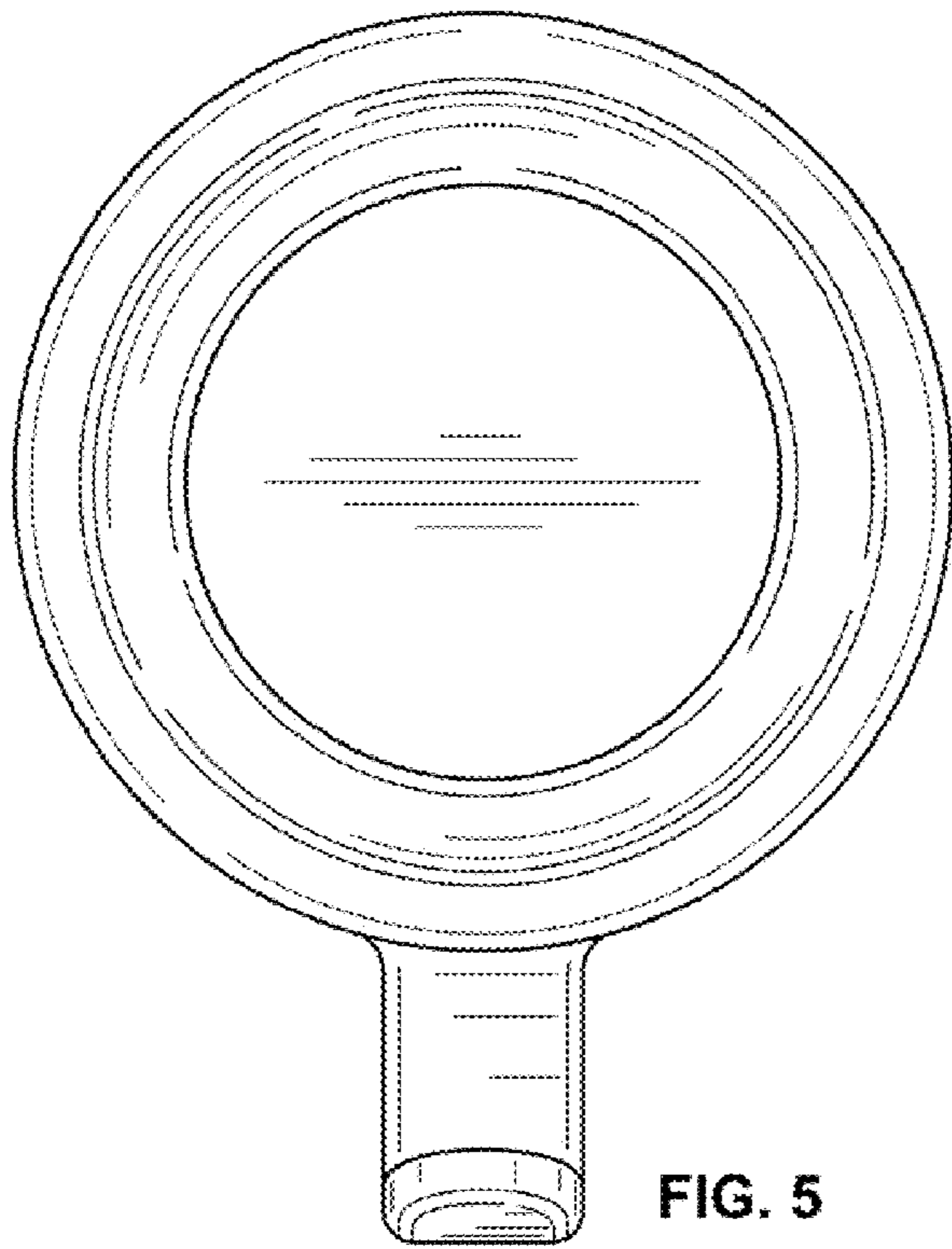


FIG. 5

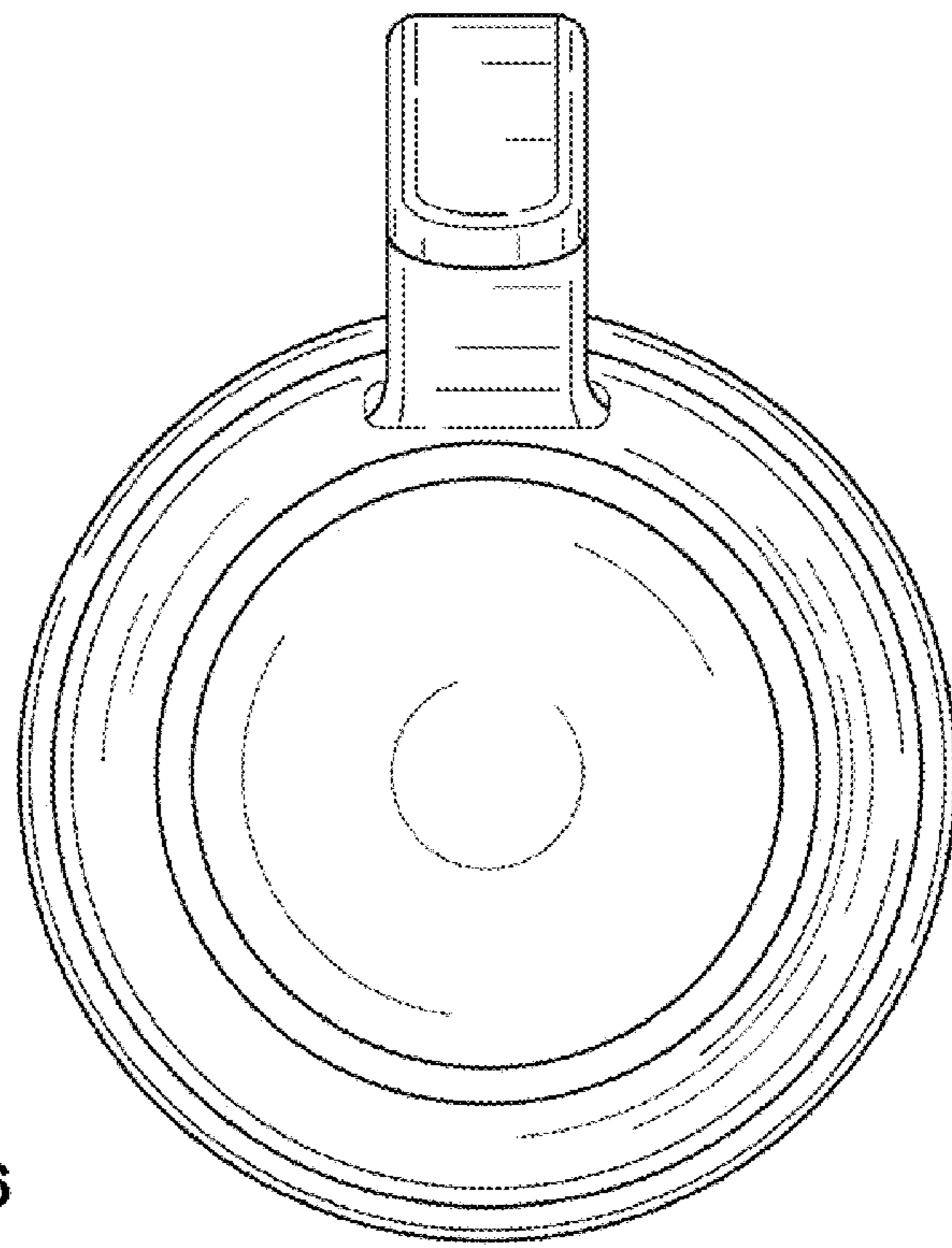


FIG. 6