

US00D642019S

(12) **United States Design Patent**  
**Jefferson**

(10) **Patent No.:** **US D642,019 S**  
(45) **Date of Patent:** **\*\* Jul. 26, 2011**

(54) **STOVE BURNER COVER**

(76) Inventor: **Edward L. Jefferson**, Fort Washington,  
MD (US)

(\*\*) Term: **14 Years**

(21) Appl. No.: **29/314,119**

(22) Filed: **Mar. 6, 2009**

(51) **LOC (9) Cl.** ..... **07-02**

(52) **U.S. Cl.** ..... **D7/407**

(58) **Field of Classification Search** ..... D7/387-389,  
D7/393, 402, 407-409, 317, 354, 360-367,  
D7/391, 392.1, 541-542, 548-549, 552.2,  
D7/624.1; D23/415-419, 203, 348; D29/119;  
219/458.1, 460.1, 462.1, 463.1, 464, 465.1;  
126/214 D, 215, 39 H, 400; 165/185; D25/36;  
D26/23, 119; D3/273, 302, 313, 318, 323;  
D6/610; D8/307, 310; D9/432-435

See application file for complete search history.

D370,826 S *	6/1996	Thurlow	.....	D7/361
D385,944 S *	11/1997	Hatfield	.....	D23/203
D386,349 S *	11/1997	Wysocky et al.	.....	D6/610
D388,659 S *	1/1998	Doyle et al.	.....	D7/407
D397,907 S *	9/1998	Dodane	.....	D7/393
D399,093 S *	10/1998	Hayes	.....	D7/407
D411,707 S *	6/1999	Horvat	.....	D7/393
D412,810 S *	8/1999	Alfred	.....	D7/391
D419,368 S *	1/2000	Geelen et al.	.....	D7/391
D419,372 S *	1/2000	Cheng	.....	D7/393
D419,373 S *	1/2000	Geelen	.....	D7/393
D433,569 S *	11/2000	Anderson	.....	D3/323
D438,755 S *	3/2001	Rae	.....	D7/393
D443,174 S *	6/2001	Rae	.....	D7/393
D444,028 S *	6/2001	Rae	.....	D8/307
D451,339 S *	12/2001	Munari	.....	D7/393
D452,413 S *	12/2001	Rae	.....	D7/393
D465,129 S *	11/2002	Klock et al.	.....	D7/393
D501,754 S *	2/2005	Munson et al.	.....	D7/392.1
D502,049 S *	2/2005	Munson et al.	.....	D7/392.1
D517,861 S *	3/2006	Kim	.....	D7/392.1
D518,957 S *	4/2006	DeCarlo et al.	.....	D9/432
D538,586 S *	3/2007	Kaposi	.....	D7/391
D541,486 S *	4/2007	Mahaffey	.....	D23/415
D544,296 S *	6/2007	Kloppsteck	.....	D7/391

(Continued)

(56) **References Cited**

**U.S. PATENT DOCUMENTS**

1,566,185 A *	12/1925	Elmgren	.....	219/462.1
1,922,420 A *	8/1933	Coulston	.....	126/215
D236,790 S *	9/1975	Barone	.....	D7/388
D245,663 S *	9/1977	Gordon	.....	D7/407
D249,934 S *	10/1978	Cullers	.....	D9/435
D261,349 S *	10/1981	Ryser	.....	D8/310
D270,596 S *	9/1983	Gallagher et al.	.....	D7/392.1
4,858,590 A *	8/1989	Bailey	.....	126/39 H
D309,233 S *	7/1990	Lund	.....	D7/407
D309,234 S *	7/1990	Howell	.....	D7/409
D309,398 S *	7/1990	Lund	.....	D7/407
D311,112 S *	10/1990	Sweatt et al.	.....	D7/542
D328,546 S *	8/1992	Unger	.....	D7/317
D328,836 S *	8/1992	Unger	.....	D7/542
D342,865 S *	1/1994	Addison et al.	.....	D7/402
D347,142 S *	5/1994	Falvo	.....	D7/391
D357,385 S *	4/1995	Addison et al.	.....	D7/407
D368,828 S *	4/1996	Thurlow	.....	D7/360

*Primary Examiner* — T. Chase Nelson

*Assistant Examiner* — Mark Cavanna

(74) *Attorney, Agent, or Firm* — Richard L. Mikesell

(57) **CLAIM**

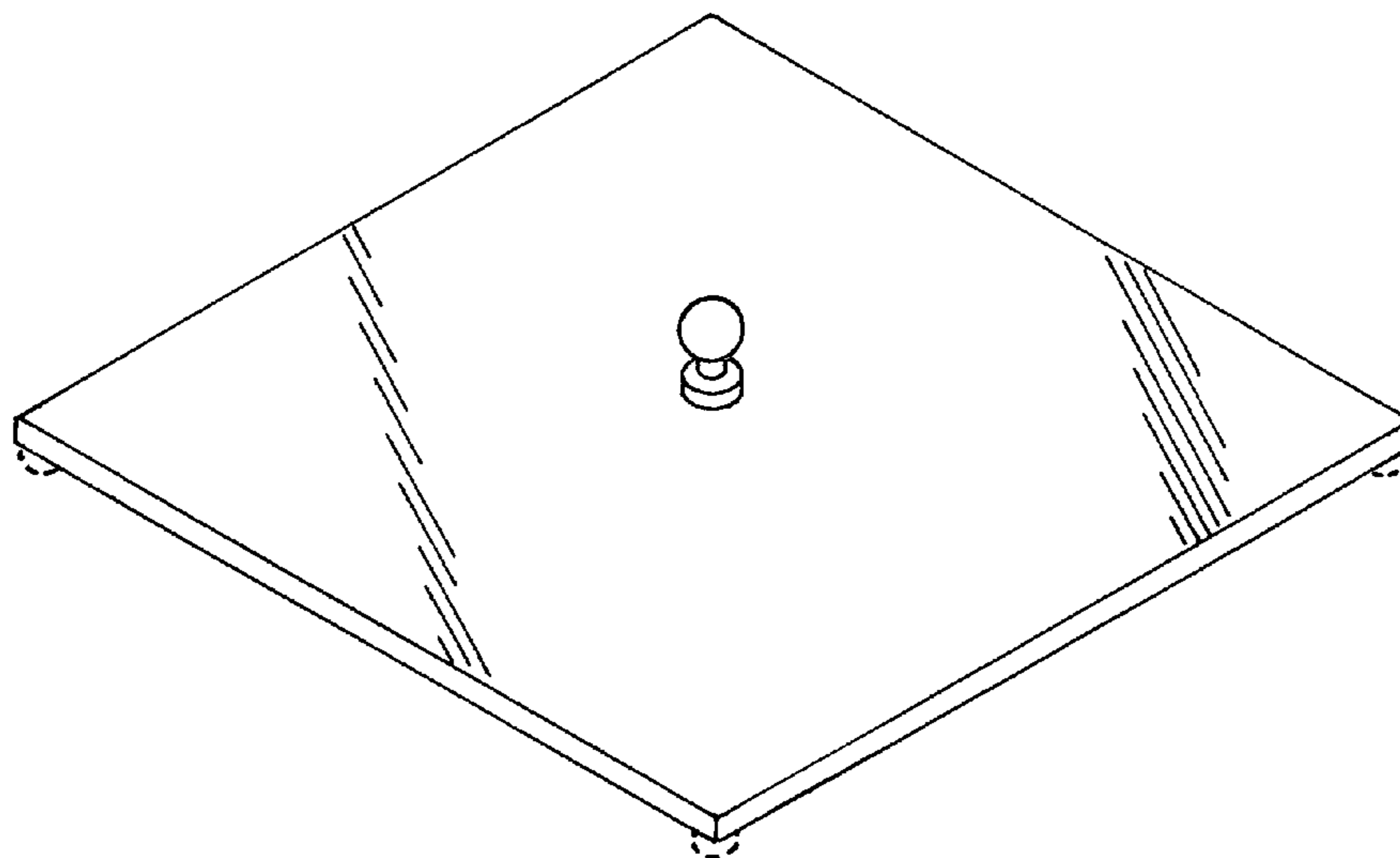
The ornamental design for a stove burner cover, as shown and described.

**DESCRIPTION**

The FIGURE is a top front isometric view of a stove burner cover showing my new design.

The broken lines are included for the purpose of illustrating portions of the stove burner cover that form no part of the claimed design. The bottom and back edges are plain and unadorned.

**1 Claim, 1 Drawing Sheet**



# US D642,019 S

Page 2

---

## U.S. PATENT DOCUMENTS

D550,030 S *	9/2007	Peterson	.....	D7/392.1	D583,615 S *	12/2008	Simon et al.	.....	D7/354
D552,413 S *	10/2007	Laib et al.	.....	D7/392.1	D584,612 S *	1/2009	Ianello	.....	D9/435
D560,964 S *	2/2008	Hoff	.....	D7/393	D585,699 S *	2/2009	Furlong	.....	D7/392.1
D565,896 S *	4/2008	Pryor	.....	D7/407	D586,623 S *	2/2009	Dunn	.....	D7/541
D565,897 S *	4/2008	Pryor	.....	D7/407	D587,981 S *	3/2009	Mattson et al.	.....	D8/307
D565,898 S *	4/2008	Pryor	.....	D7/407	D591,111 S *	4/2009	Rzeczkowski	.....	D7/548
D568,683 S *	5/2008	Glynn	.....	D7/407	D592,483 S *	5/2009	Ricereto	.....	D8/310
D569,220 S *	5/2008	McConnell	.....	D8/310	D593,325 S *	6/2009	Evans	.....	D3/273
D569,497 S *	5/2008	Hoff et al.	.....	D23/418	D603,947 S *	11/2009	Tothill et al.	.....	D23/348
D571,200 S *	6/2008	Bouveret et al.	.....	D9/435	D610,452 S *	2/2010	Schmidt	.....	D9/435
D575,062 S *	8/2008	Wolf	.....	D3/318	D627,088 S *	11/2010	Schwartz et al.	.....	D26/23
D582,720 S *	12/2008	Plichon	.....	D7/393					

\* cited by examiner

