



US00D642010S

(12) **United States Design Patent**
Nakatani

(10) **Patent No.:** **US D642,010 S**

(45) **Date of Patent:** **** Jul. 26, 2011**

(54) **SUSHI MAKER**

(75) Inventor: **Shizuo Nakatani**, Osaka (JP)

(73) Assignee: **Zojirushi Corporation** (JP)

(**) Term: **14 Years**

(21) Appl. No.: **29/369,346**

(22) Filed: **Sep. 7, 2010**

(30) **Foreign Application Priority Data**

Mar. 11, 2010 (JP) 2010-005944

(51) **LOC (9) Cl.** **31-00**

(52) **U.S. Cl.** **D7/368**

(58) **Field of Classification Search** D7/368,
D7/665, 666, 669, 672, 673, 674, 693-696,
D7/381, 363, 384, 385, 386, 393, 395, 412,
D7/413, 414; D15/127, 128; 99/450.1, 450.2,
99/450.6, 450.7

See application file for complete search history.

(56) **References Cited**

U.S. PATENT DOCUMENTS

776,420	A *	11/1904	Pluecker	241/259.1
D151,514	S *	10/1948	Hess	D7/372
D162,784	S *	4/1951	Burke	D7/368
D183,185	S *	7/1958	Silberberg	D7/678
D195,424	S *	6/1963	Cahell	D7/379
D218,361	S *	8/1970	Farrant	D7/368
D219,358	S *	12/1970	Popell	D7/383
D229,015	S *	11/1973	Kleves	D7/383
4,390,133	A *	6/1983	Wanat	241/93
D277,356	S *	1/1985	Dickson et al.	D7/679
D291,857	S *	9/1987	Nelson	D7/665
D427,016	S *	6/2000	Kindig et al.	D7/412

D623,467	S *	9/2010	Lin	D7/368
2003/0097938	A1 *	5/2003	Young	99/450.1
2008/0202353	A1 *	8/2008	Hosogane et al.	99/450.2
2010/0047409	A1 *	2/2010	Hosogane et al.	426/272
2010/0221401	A1 *	9/2010	Uchida	426/512

FOREIGN PATENT DOCUMENTS

JP D750644 12/1988

OTHER PUBLICATIONS

Sushi-maker pictured in "Design News", Mar. 25, 1985.

* cited by examiner

Primary Examiner — Stella M Reid

Assistant Examiner — Elizabeth J Oswecki

(74) *Attorney, Agent, or Firm* — SAIDMAN DesignLaw Group

(57) **CLAIM**

The ornamental design for a sushi maker, as shown and described.

DESCRIPTION

FIG. 1 is a perspective view of a sushi maker showing my new design;

FIG. 2 is a front view thereof;

FIG. 3 is a rear view thereof;

FIG. 4 is a left side view thereof;

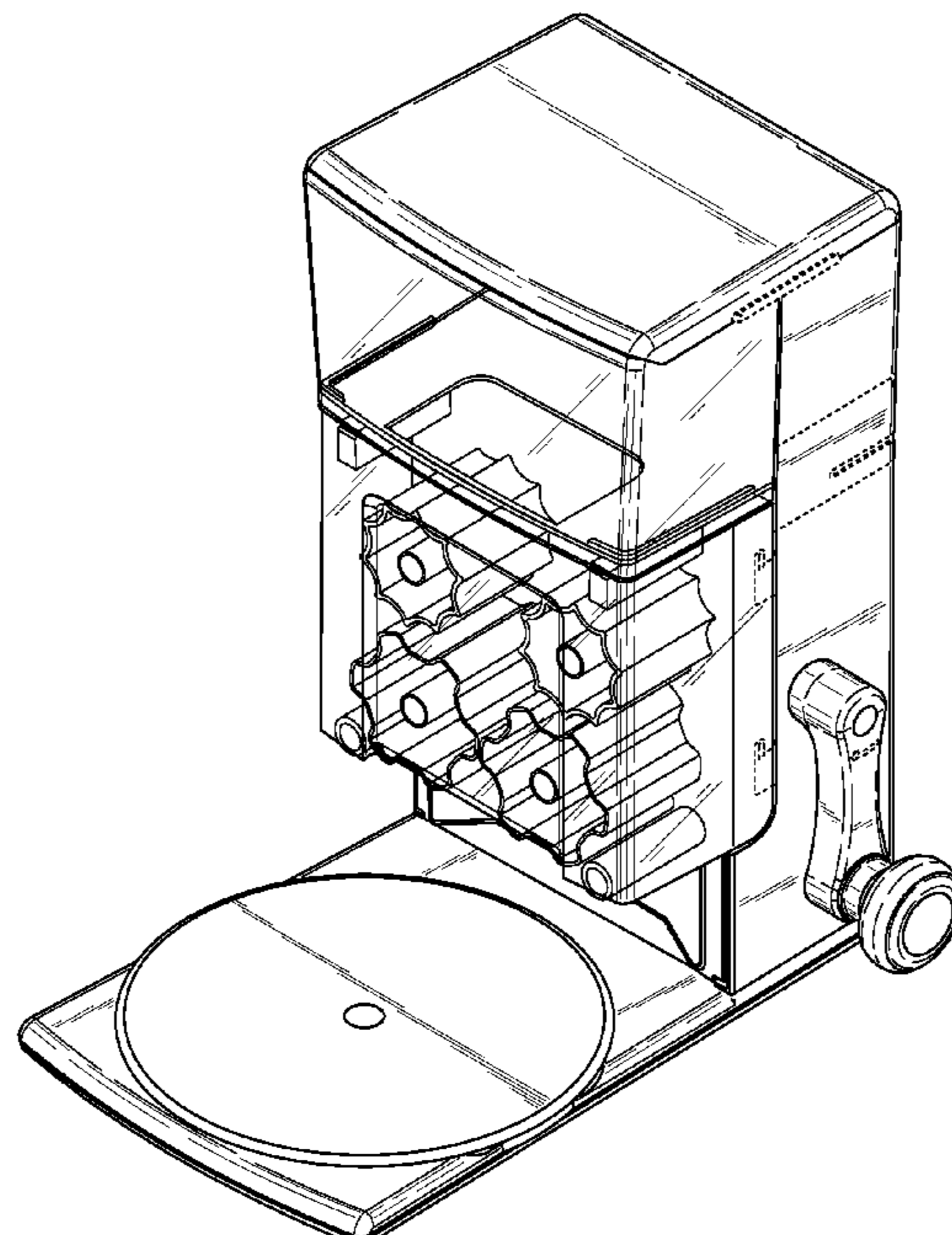
FIG. 5 is a right side view thereof;

FIG. 6 is a top view thereof; and,

FIG. 7 is a bottom view thereof.

The broken lines illustrate portions of the sushi maker and form no part of the claimed design.

1 Claim, 7 Drawing Sheets



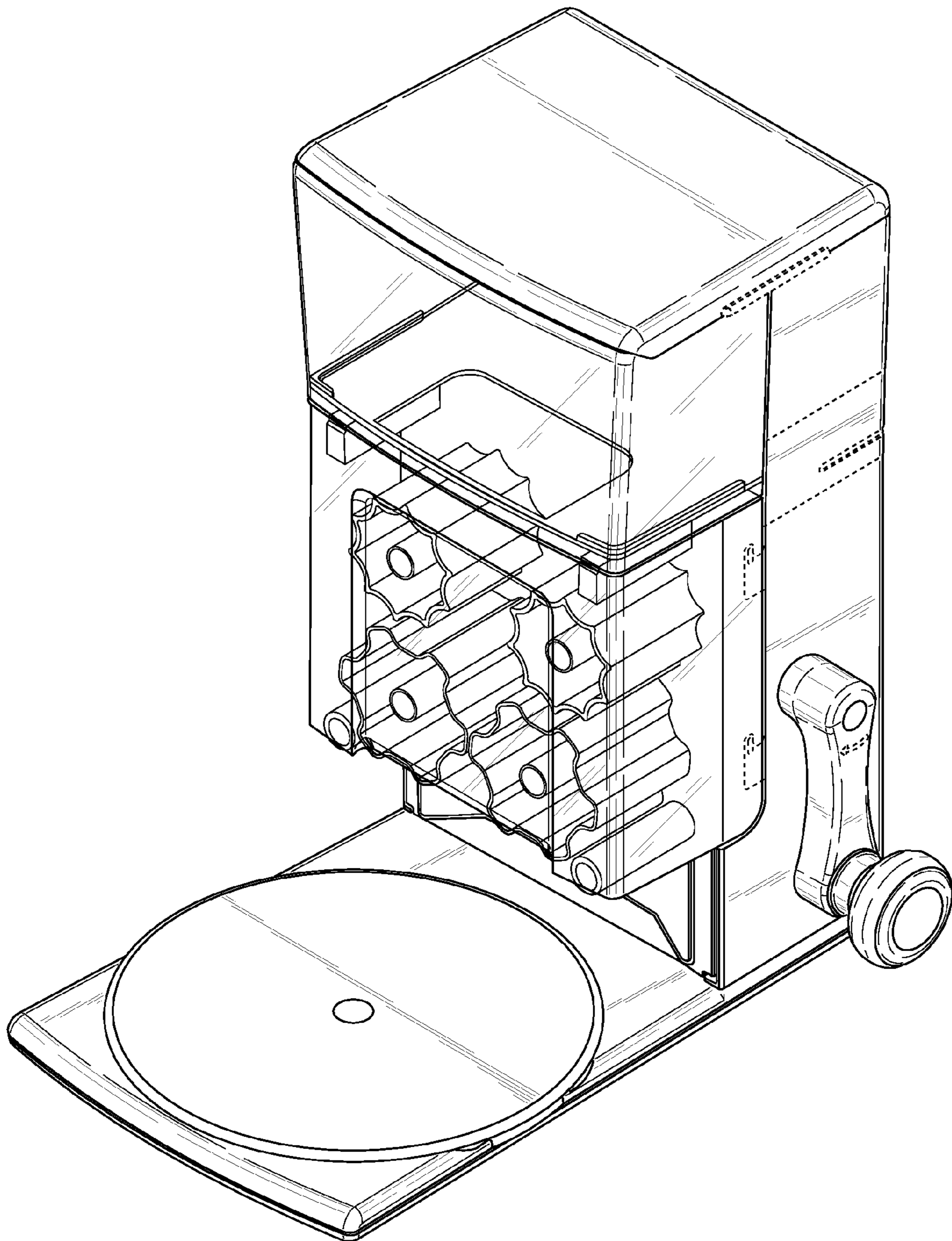


Fig. 1

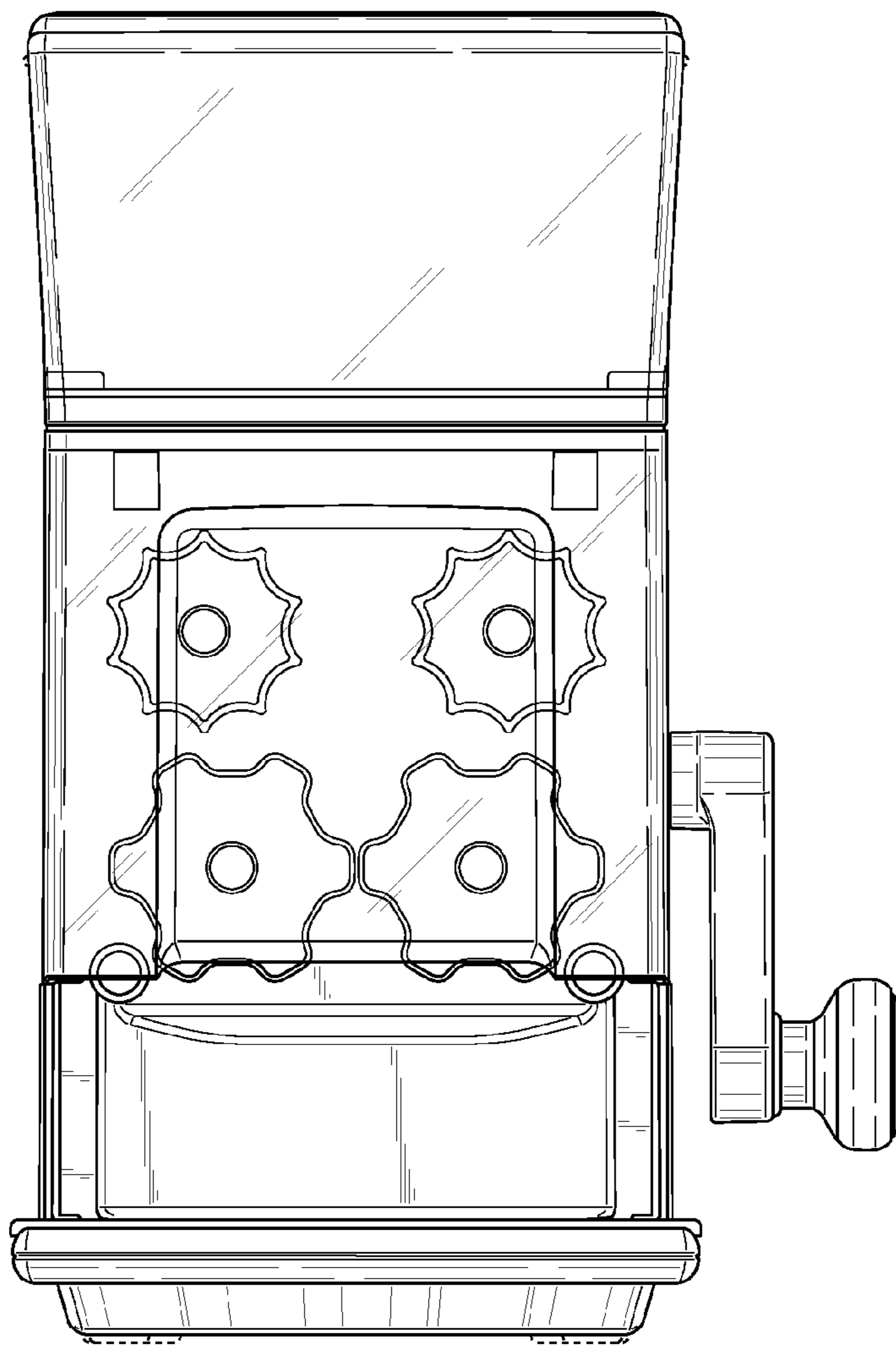


Fig. 2

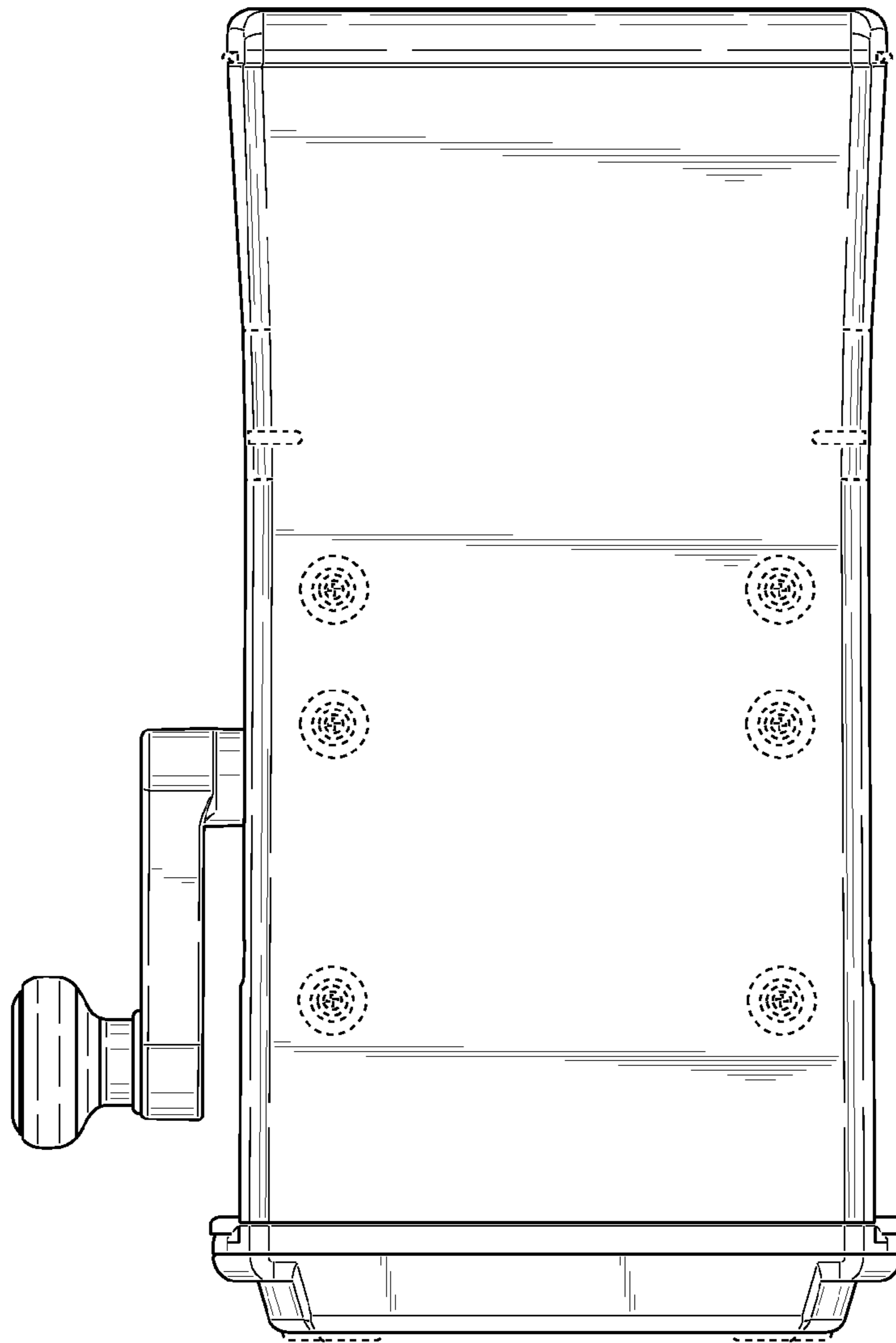


Fig. 3

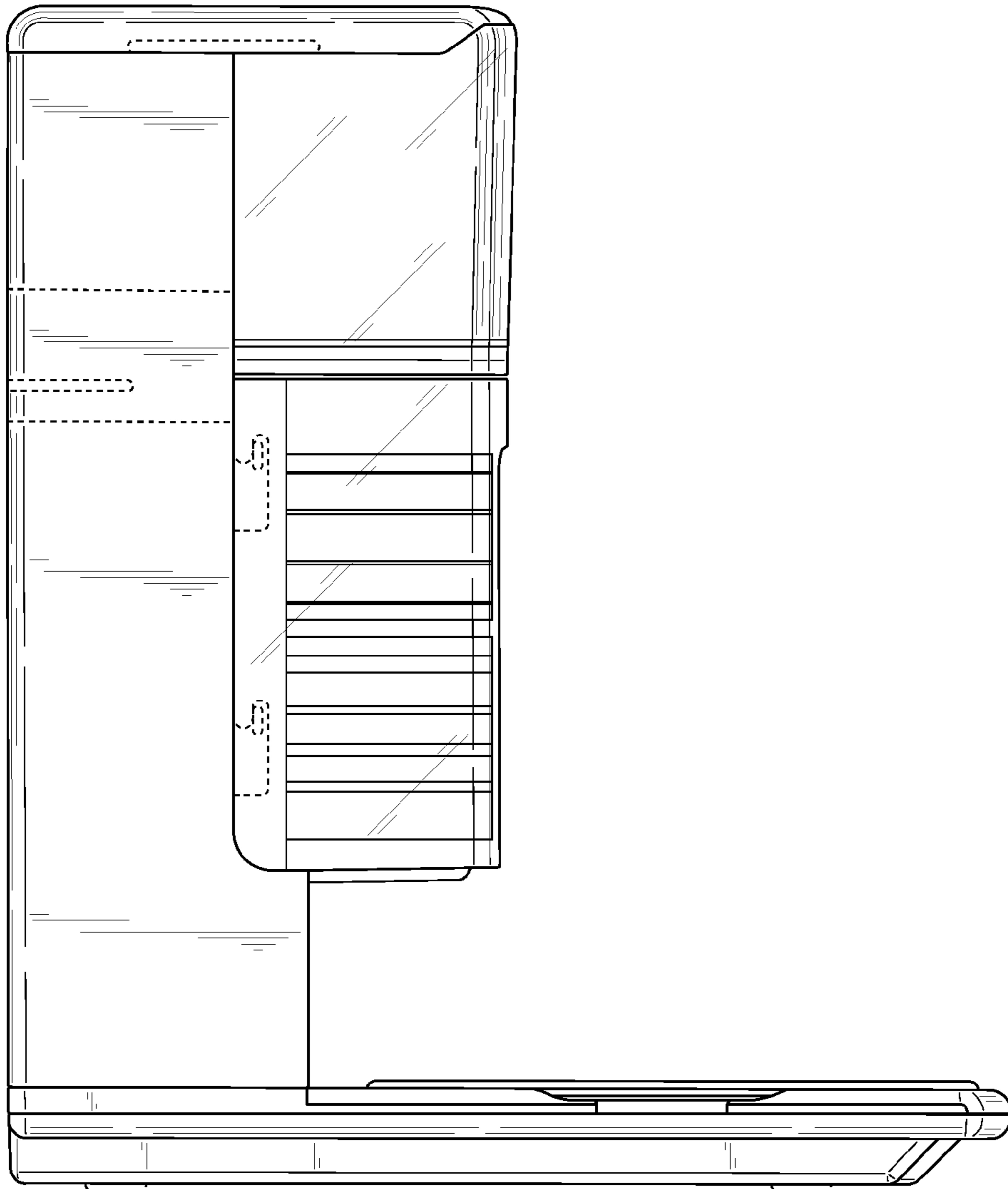


Fig. 4

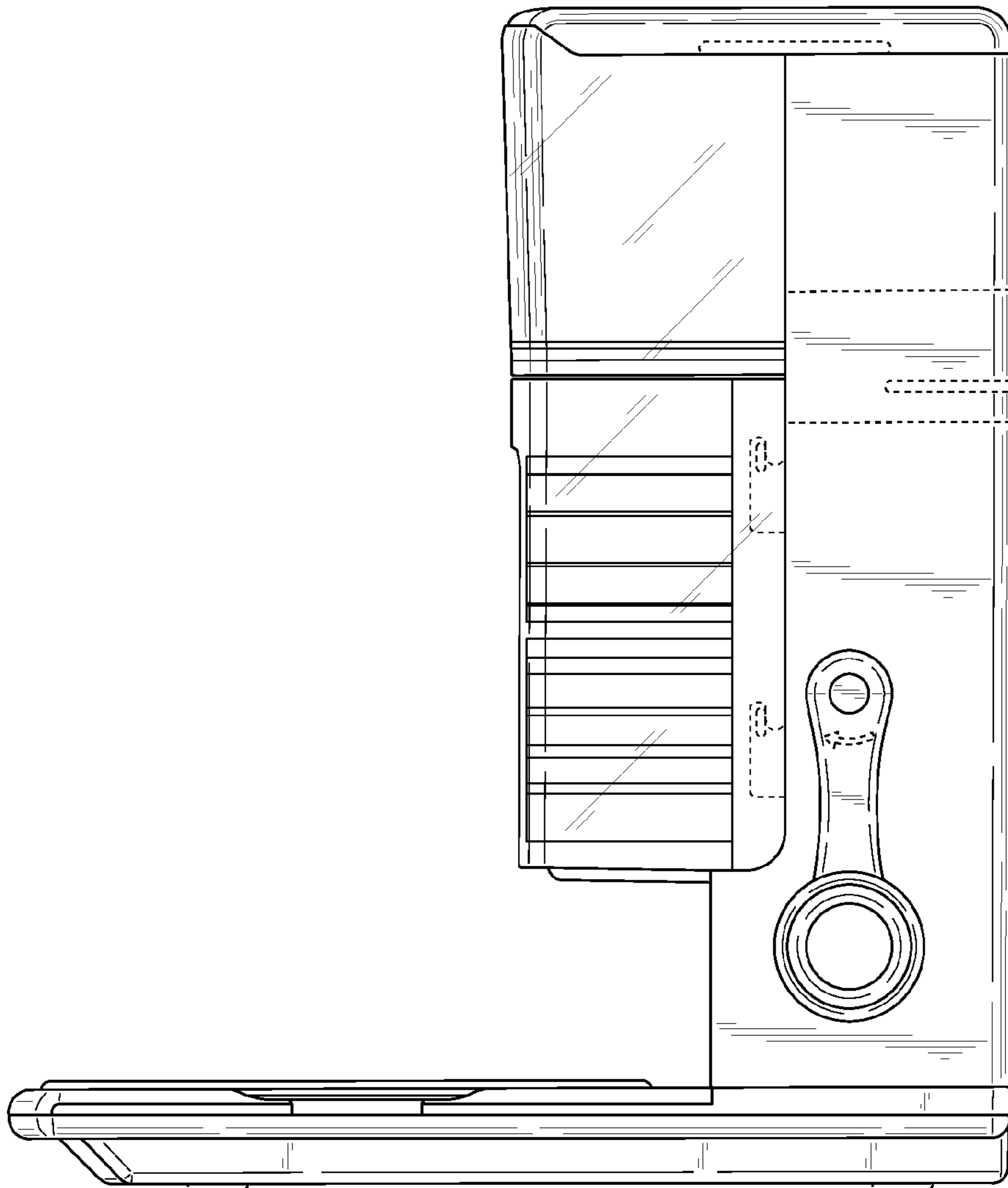


Fig. 5

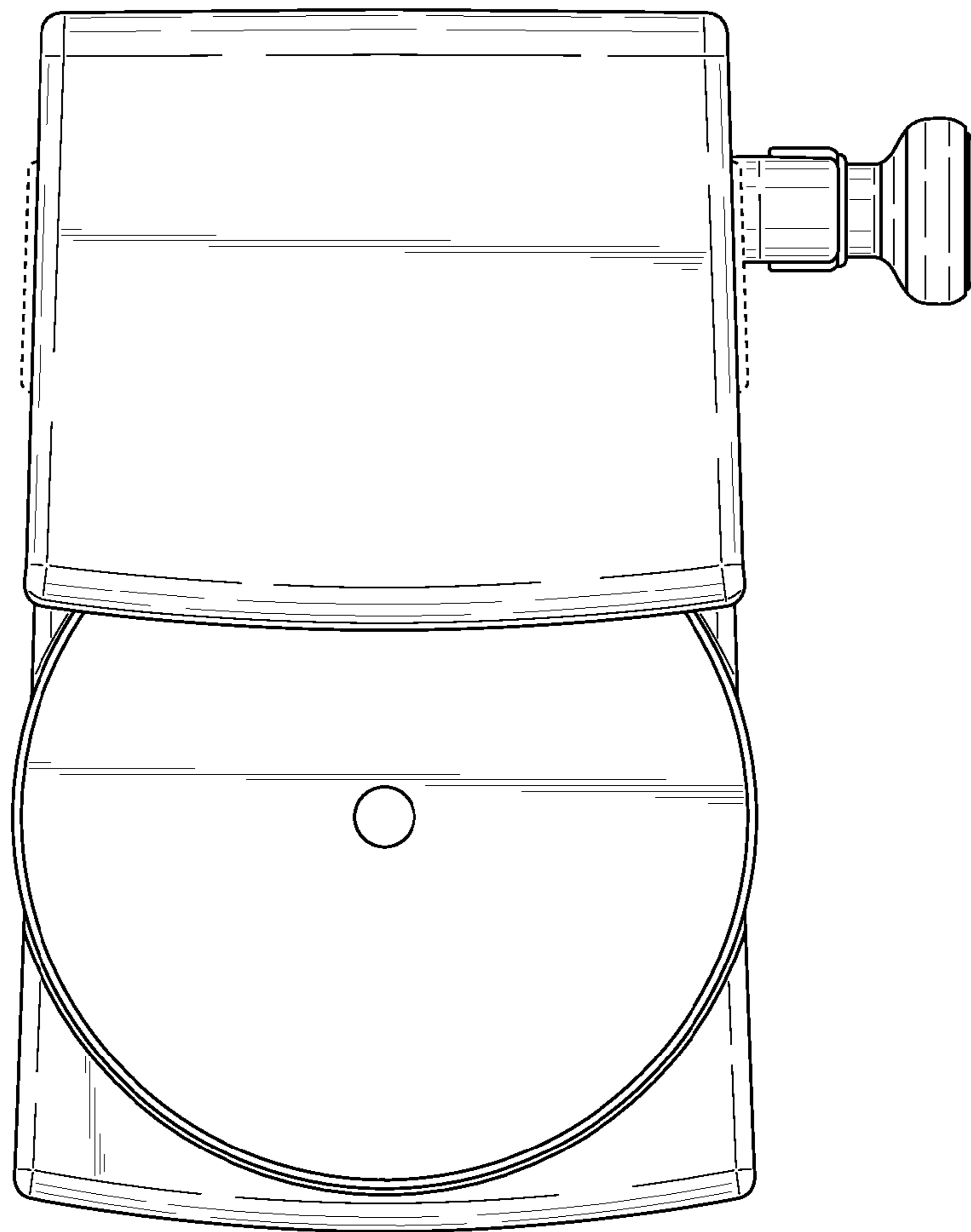


Fig. 6

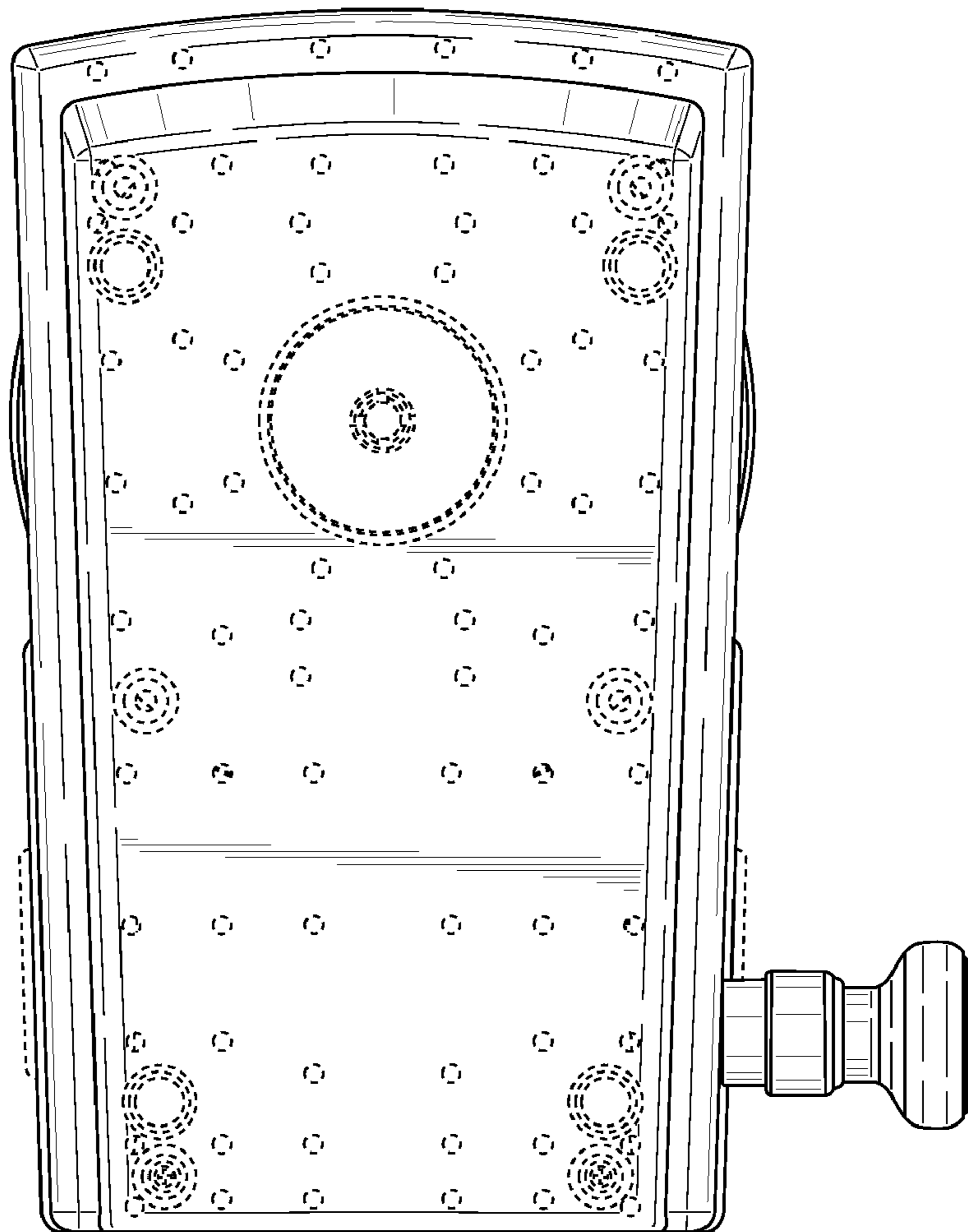


Fig. 7