



US00D642007S

(12) **United States Design Patent**
Lee et al.

(10) **Patent No.:** **US D642,007 S**
(45) **Date of Patent:** **** Jul. 26, 2011**

- (54) **OVEN**
- (75) Inventors: **Dae Kyun Lee**, Seoul (KR); **Jae Jun Kim**, Seoul (KR)
- (73) Assignee: **Samsung Electronics Co., Ltd.**, Suwon-Si (KR)
- (**) Term: **14 Years**
- (21) Appl. No.: **29/382,531**
- (22) Filed: **Jan. 5, 2011**
- (51) **LOC (9) Cl.** **07-02**
- (52) **U.S. Cl.** **D7/340**
- (58) **Field of Classification Search** D7/339-340, D7/346-349, 402, 407-408; 126/273 A, 126/19 R, 39 C, 211, 273 S, 275 R, 257 E; 219/458, 464, 460, 538, 552; 99/385, 402-403
See application file for complete search history.

- D564,281 S * 3/2008 Kim D7/340
 - D585,696 S * 2/2009 Monteiro Sindeaux et al. D7/340
 - D623,889 S * 9/2010 Kim et al. D7/340
- * cited by examiner

Primary Examiner — Catheri Oliver
(74) *Attorney, Agent, or Firm* — Ladas & Parry LLP

(57) **CLAIM**
We claim the ornamental design for an oven, as shown.

DESCRIPTION

FIG. 1 is a front, right side and top perspective view of an oven showing our new design;
FIG. 2 is a front elevational view thereof;
FIG. 3 is a rear elevational view thereof;
FIG. 4 is a left-side elevational view thereof;
FIG. 5 is a right-side elevational view thereof;
FIG. 6 is a top elevational view thereof; and,
FIG. 7 is a bottom elevational view thereof.

(56) **References Cited**

U.S. PATENT DOCUMENTS

- D530,971 S * 10/2006 Kim D7/340
- D542,079 S * 5/2007 Kim D7/340

1 Claim, 7 Drawing Sheets

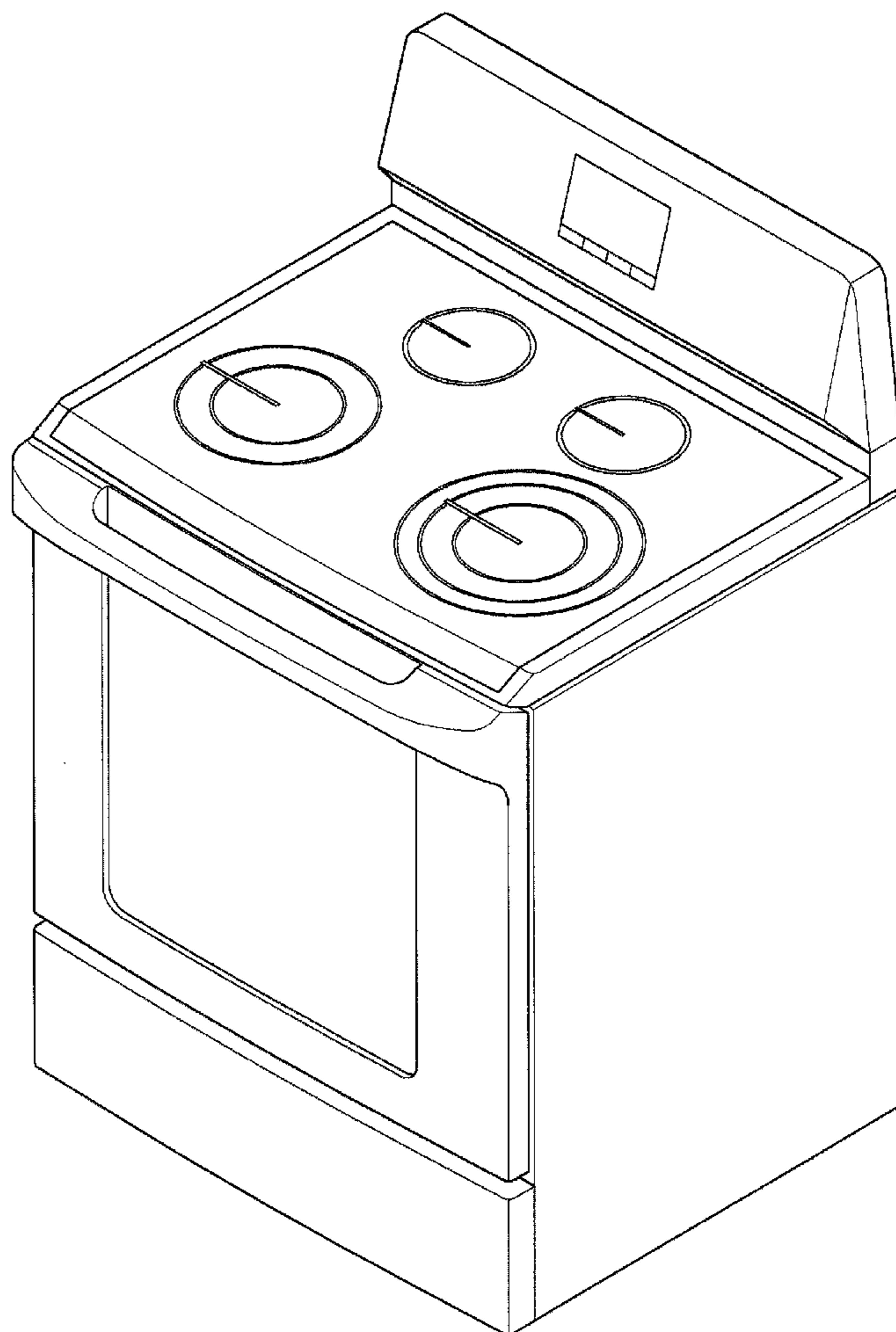


FIG. 1

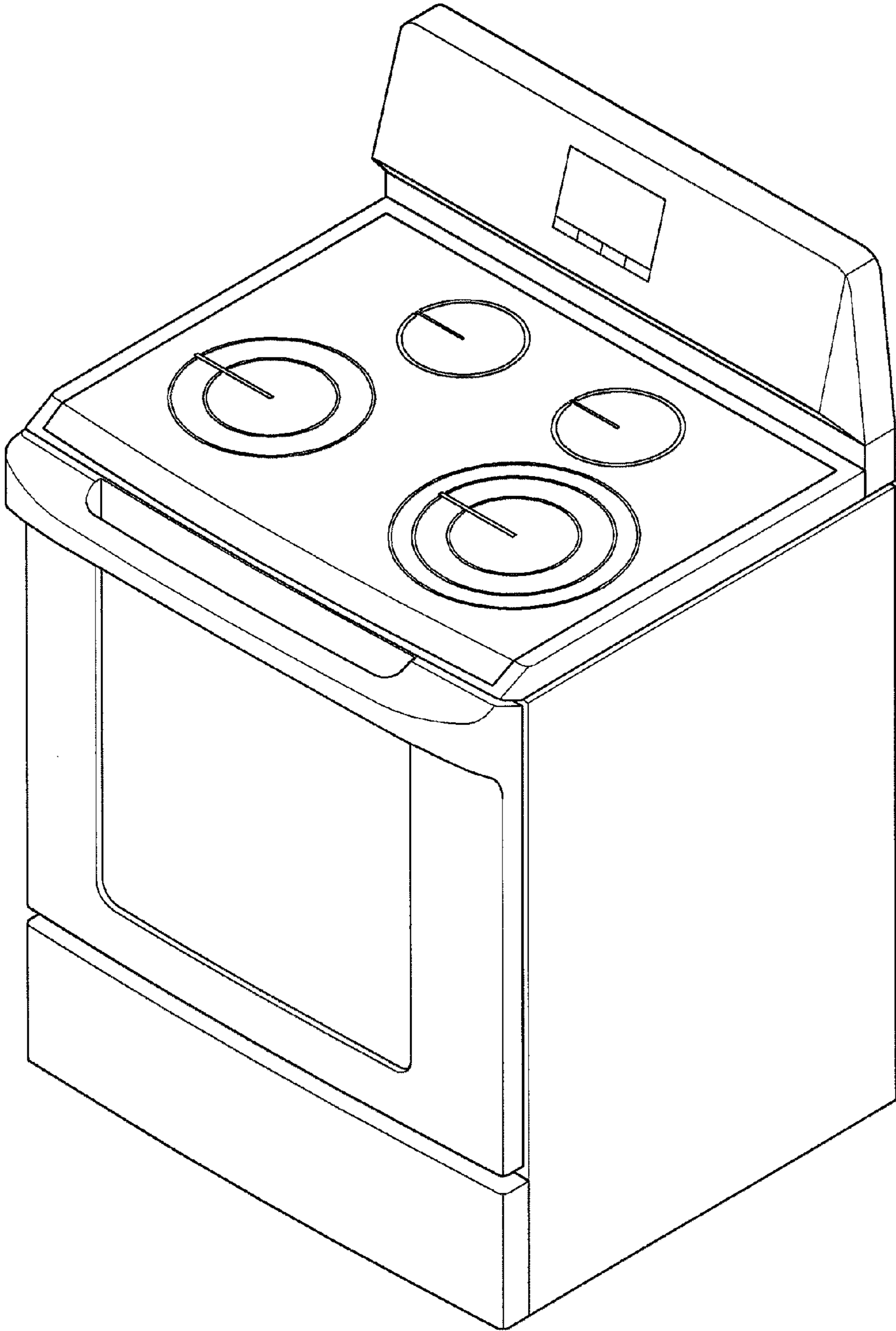


FIG. 2

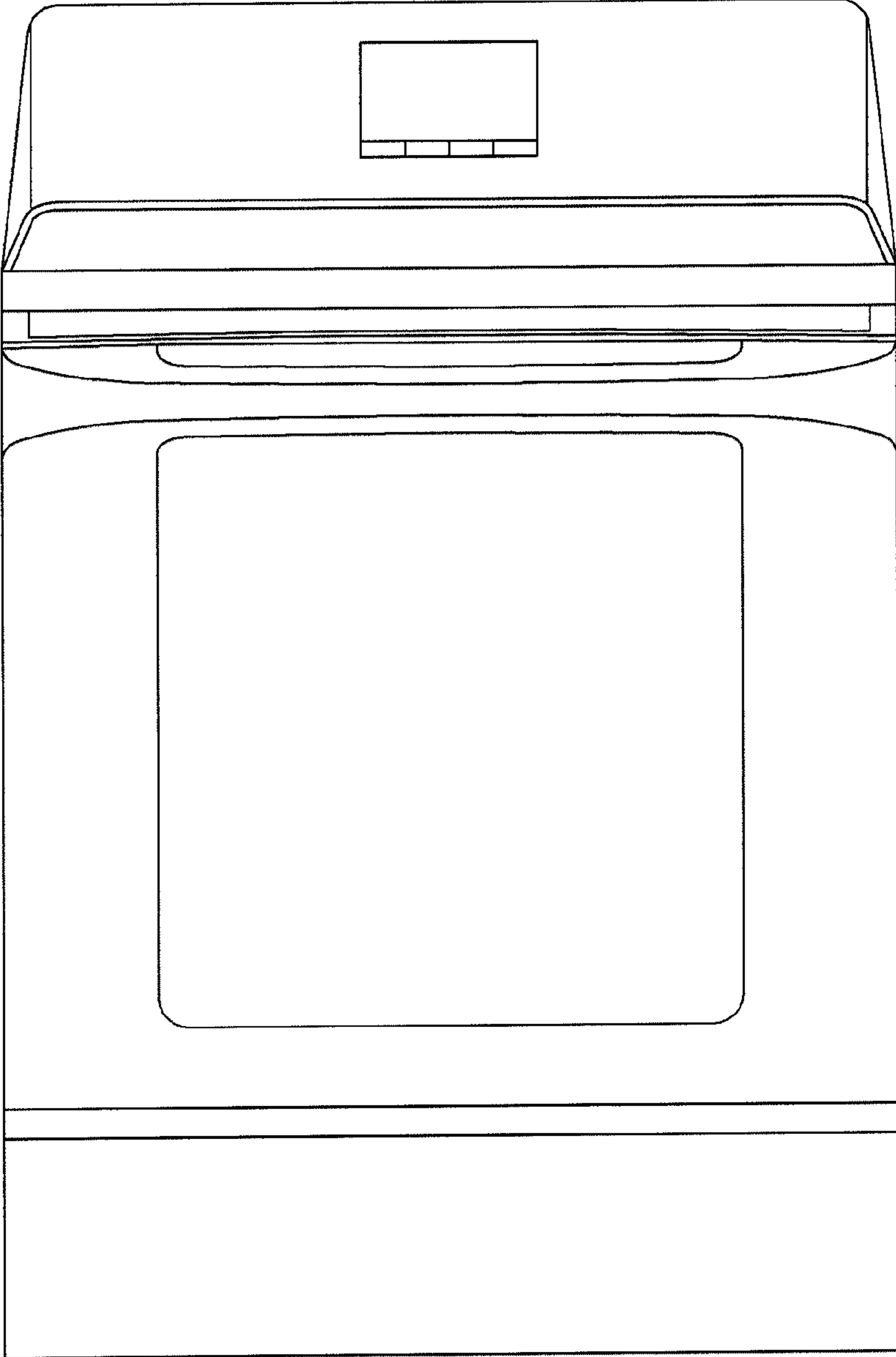


FIG. 3

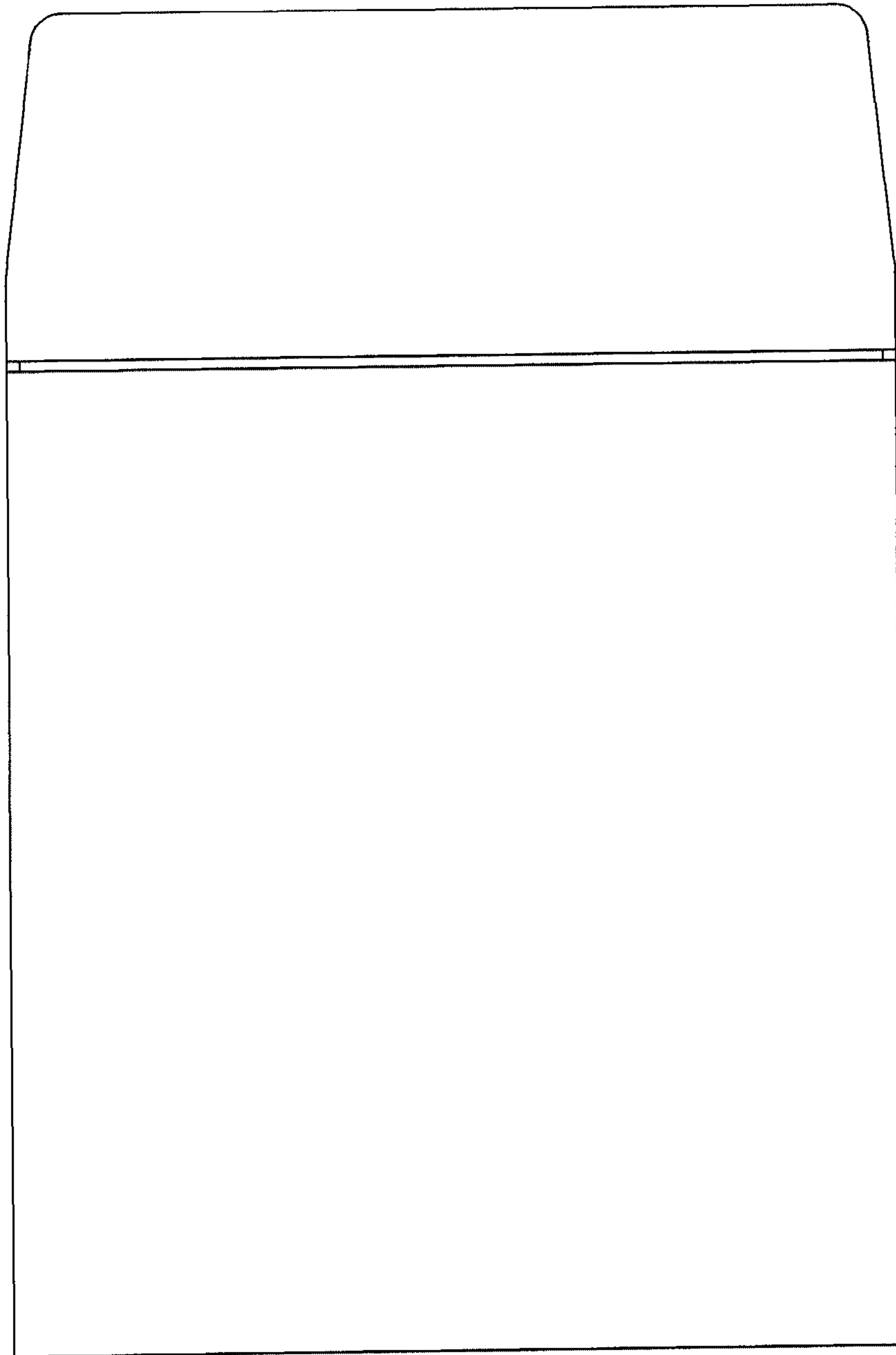


FIG. 4

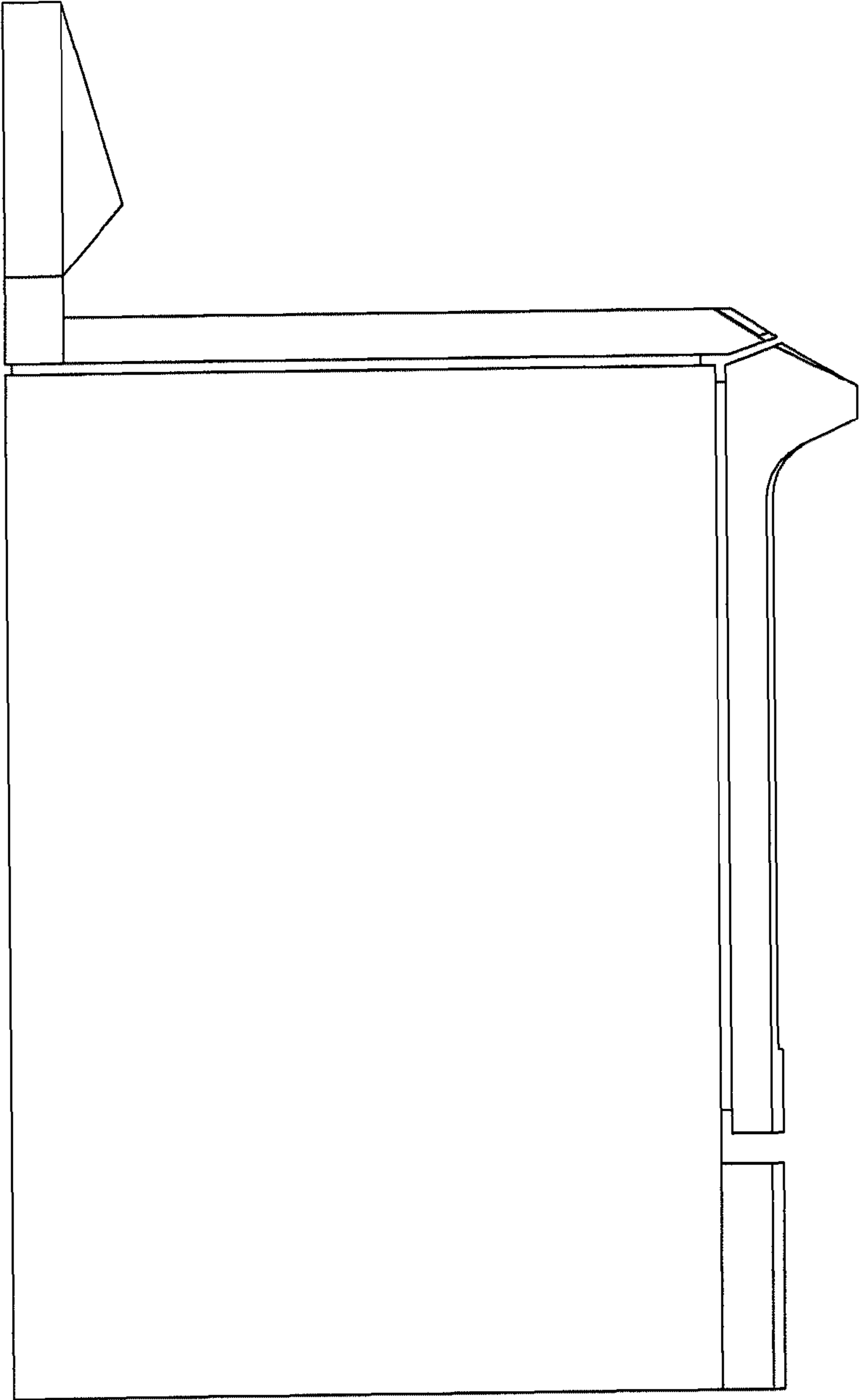


FIG. 5

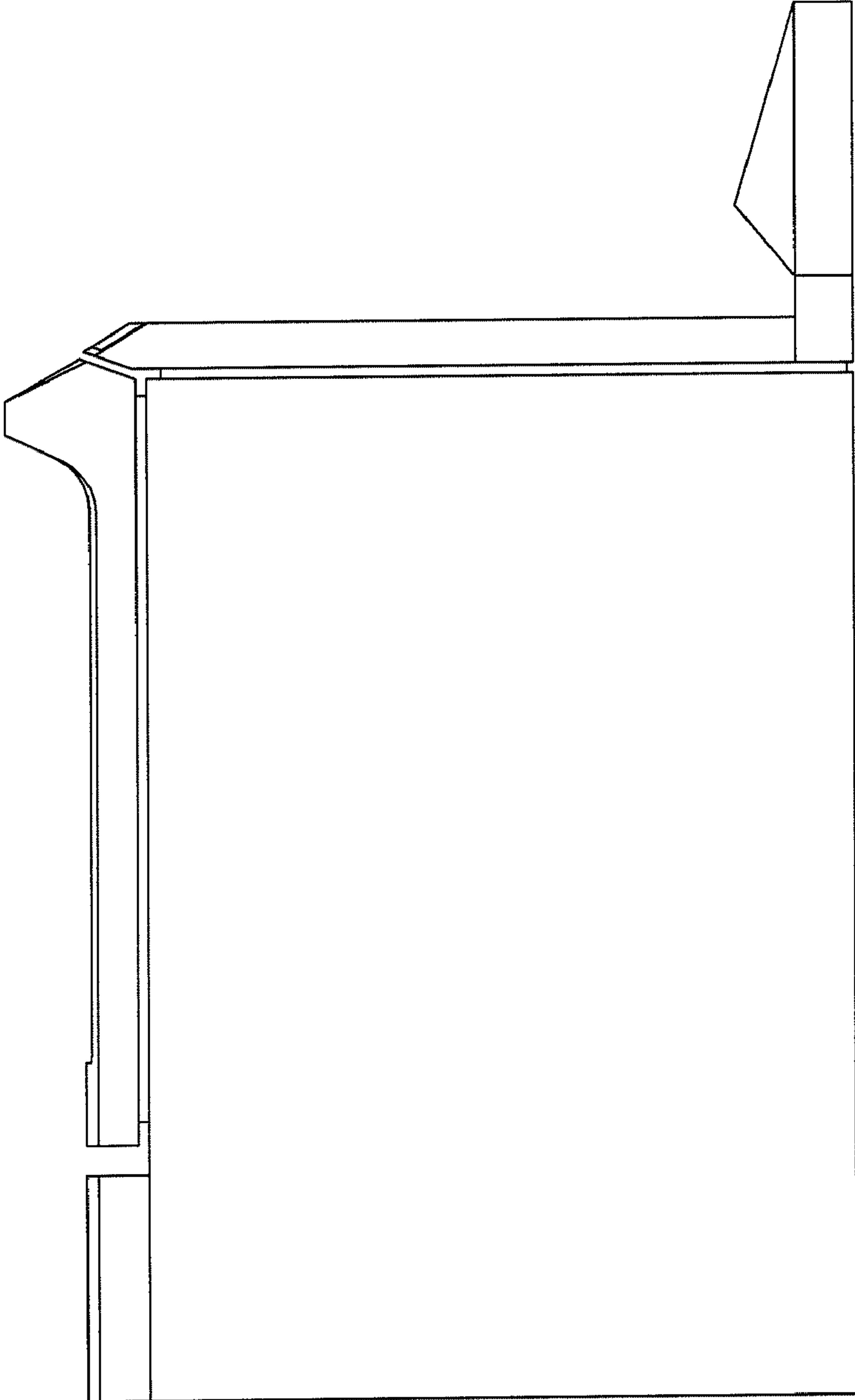


FIG. 6

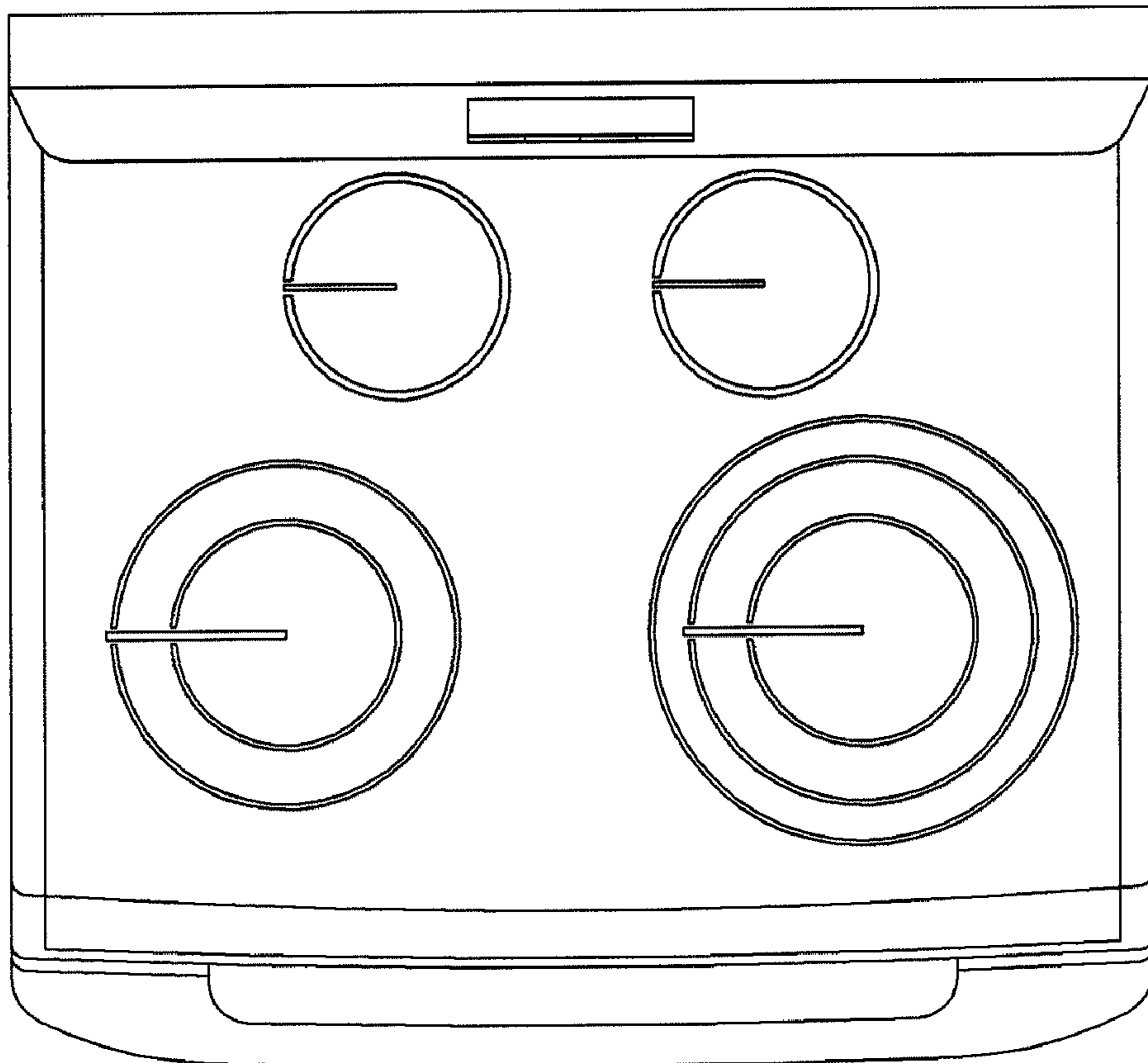


FIG. 7

